



JOHN DEERE

# Product Services Information

## INSTALLATION INSTRUCTIONS



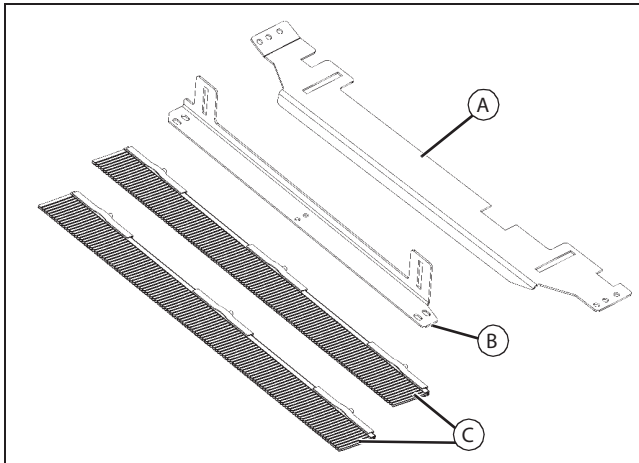
JOHN DEERE

### GRASS GROOMER KIT

#### Compatibility

This kit is compatible with EZtrak models equipped with 48, 54, and 60 in. High Capacity mower decks.

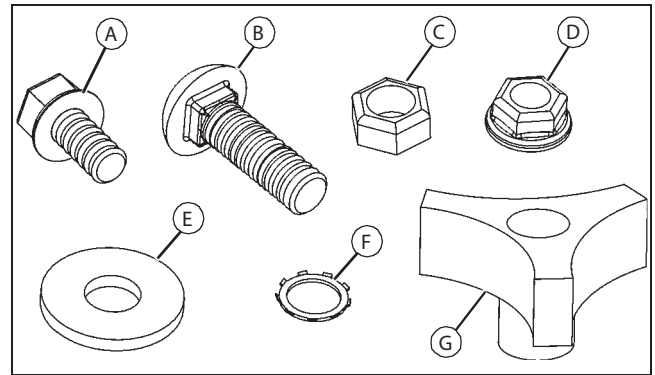
#### Parts in Kit



MX47362

Qty.	Description
1	Mower Bracket (A)
1	Brush Bracket (B)
2	Brush (C)

#### Parts in Bag



MX44208

Qty.	Description
4	Truss Head Bolt, 5/16" (A)
2	Carriage Bolt, 3/8" x 2" (B)
2	Locknut, 3/8" (C)
10	Locknut, Flange, 5/16" (D)
2	Washer, Flat, 3/8" (E)
2	Washer, Star, 3/8" (F)
2	Knob, 3/8" (G)

*NOTE: Retain these installation instructions with the machine operator's manual.*

#### Parking Safely

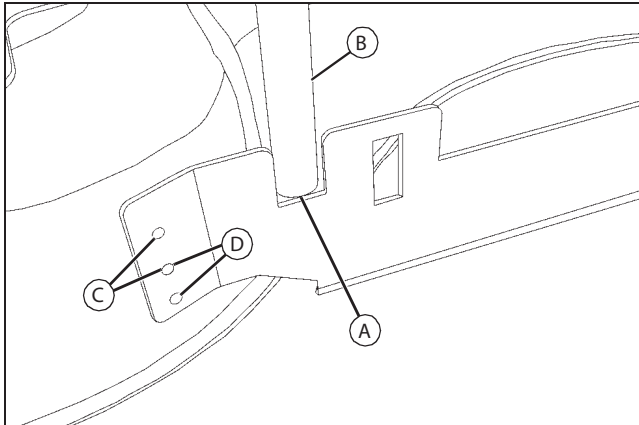
1. Stop machine on a level surface, not on a slope.
2. Disengage mower blades.
3. Move motion control levers out to the Start/Shutdown position.
4. Lock the park brake.
5. Stop the engine.
6. Remove the key.
7. Wait for engine and all moving parts to stop before you leave the operator's seat.
8. Disconnect the negative battery cable or remove the spark plug wire (for gasoline engines) before servicing the machine.

## Installing Pattern Mowing Kit

**C** CAUTION: Avoid injury! Machine component or attachment is heavy. Use a safe lifting device or get an assistant to help lift, install or remove component or attachment.

**C** CAUTION: Avoid injury! Blades are sharp and can cut. Use caution and wear gloves when handling blades or working near blades.

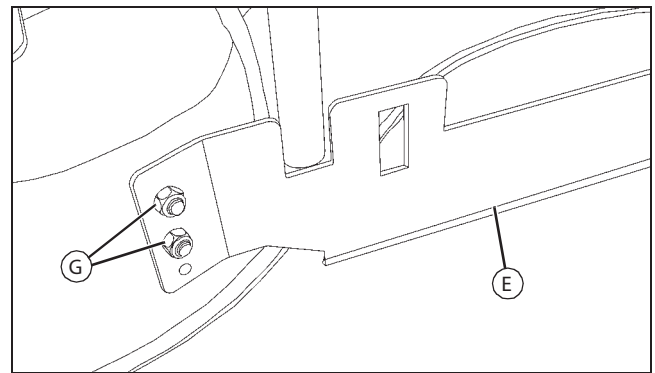
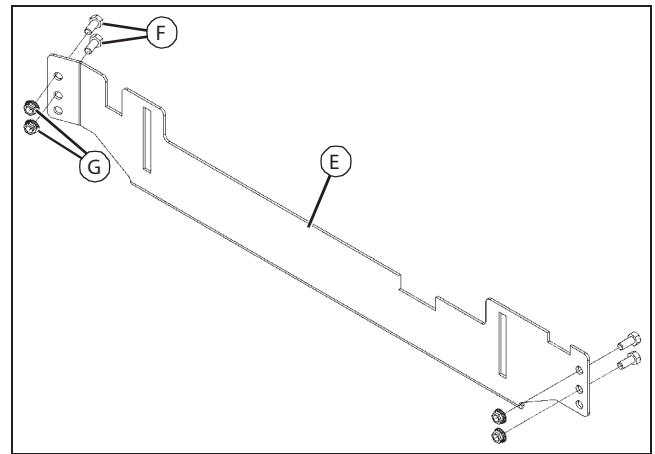
1. Remove mower deck.



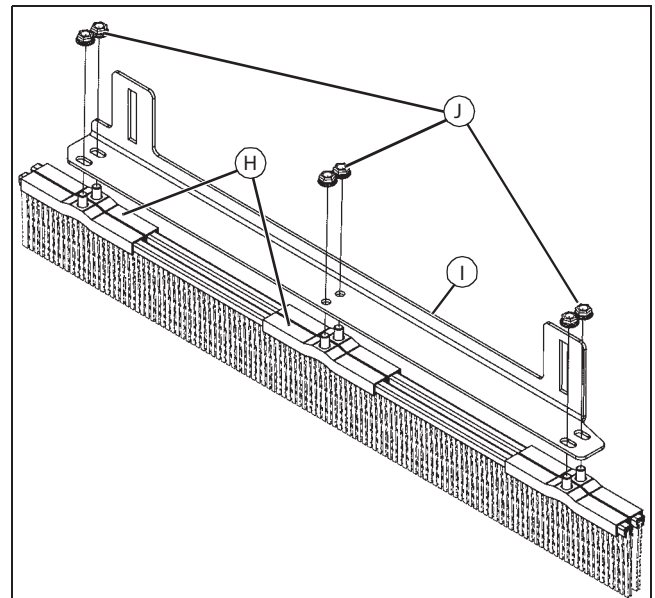
Picture Note: Left side shown.

2. Align notch (A) in mower bracket to the center of the left deck support (B). Press bracket against deck support and level bracket with deck. Mark top two holes (C) for 54 and 60 in. or bottom two holes (D) for 48 in. mower deck on each side of bracket.
3. Drill four 8.5 mm (11/64 in.) holes in mower deck in marked locations.

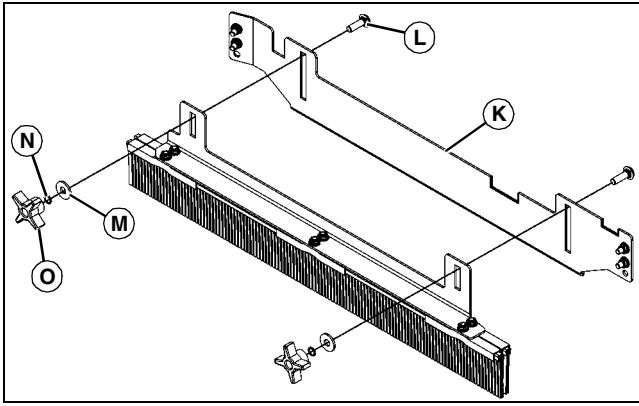
NOTE: The brush may be slightly off center on the deck but still overlaps the wheel base on both sides.



4. Position the mower bracket (E) to the deck and install four 5/16" button head allen bolts (F) from inside the deck through the bracket. Secure with four 5/16" flange locknuts (G).



5. Attach the brushes (H) to the brush bracket (I) and secure with six 5/16" flange locknuts (J).



MX47366

6. Attach the brush assembly to the mower bracket (K) with a carriage bolt (L), flat washer (M), star washer (N) and knob (O) on each side. Tighten knob until carriage bolt is flush with end of knob.
7. Install mower deck. See “Service Mower” section of Operator’s Manual for specific procedure.

## Operation and Adjustment

### Operation

The Pattern Mowing Kit extends the capability of compatible EZTrak models by providing a means to create cosmetic pattern effects on the lawn during the mowing process.

When properly adjusted, the brushes bend the cut grass in the direction of travel. With proper planning, mowing patterns can create attractive “striping” or “checkered” effects, as sunlight reflects off of the grass, bent in different directions by alternating rows or crisscrossed designs.

To accomplish this, mowing must be planned to alternate direction of mowing travel with each pass to create the most effective patterns.

For best results:

- Height should be at least 2 in., and mowing direction should be alternated 90° (perpendicular) at each mowing, from the previous time.
- Mowing passes should overlap slightly for best results
- Removing grass clippings with a material collection system will also enhance the visual effect of any pattern.



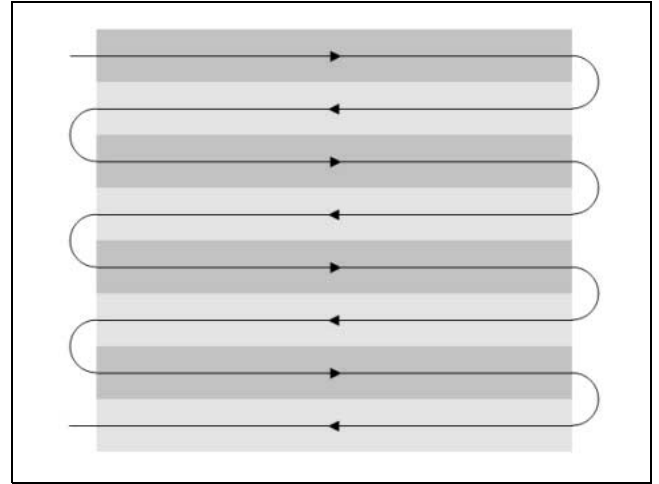
**CAUTION: Avoid injury! Touching hot surfaces can burn skin. The engine, components, and fluids will be hot if the engine has been running. Allow the engine to cool before servicing or working near the engine and components.**

Remove grass and debris from engine compartment, muffler area, and mower deck before and after operating

machine, especially after mowing or mulching in dry conditions.

When parking the mower or when the mower deck is not in use, always raise the mower deck to lift the brush off the surface.

### To create a striped pattern:

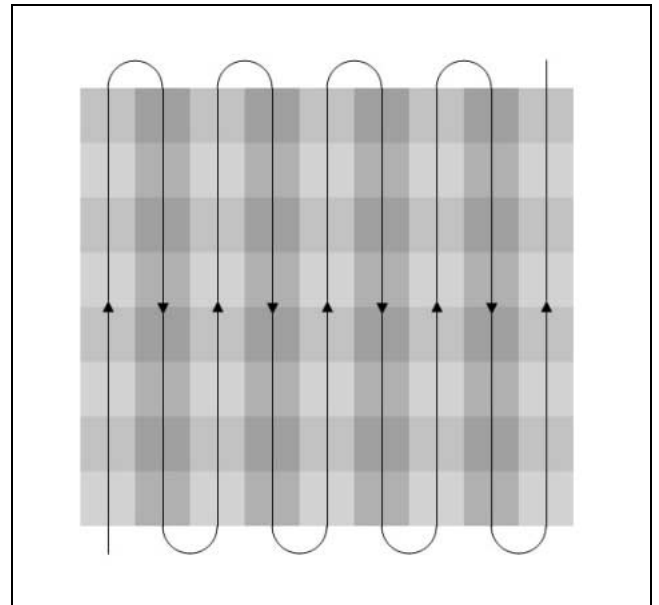


MX40542

### Picture Note: Single striped pattern.

- Create a striped pattern by mowing in straight-line passes, alternating the direction of travel with each pass.

### To create a checkered pattern:



MX40543

### Picture Note: Two perpendicular striped patterns create a checkered effect.

- First create a striped pattern. Then complete the checkered pattern by creating another striped pattern perpendicular to the first one. The intersection of the two striped patterns creates a checkerboard effect.

## **Adjustment**

1. Determine desired grass height and adjust mower deck cutting height. The Pattern Mowing Kit works best with taller grass height, 2-1/2 to 3-1/2 in. Mowing heights shorter than 2 in. do not allow adequate pattern creation.
2. Lower mower deck to cutting height, then loosen the two plastic locking knobs and lower the brush assemblies until they touch the lawn surface. Lock the knobs to secure brush position. Lowering the brushes farther to exert more pressure provides no additional benefit, and will reduce brush life and performance.
3. The brushes may be reversed, by removing them from the brush support, reversing them and re-installing in the support. Recommended interval is once yearly, or as needed.