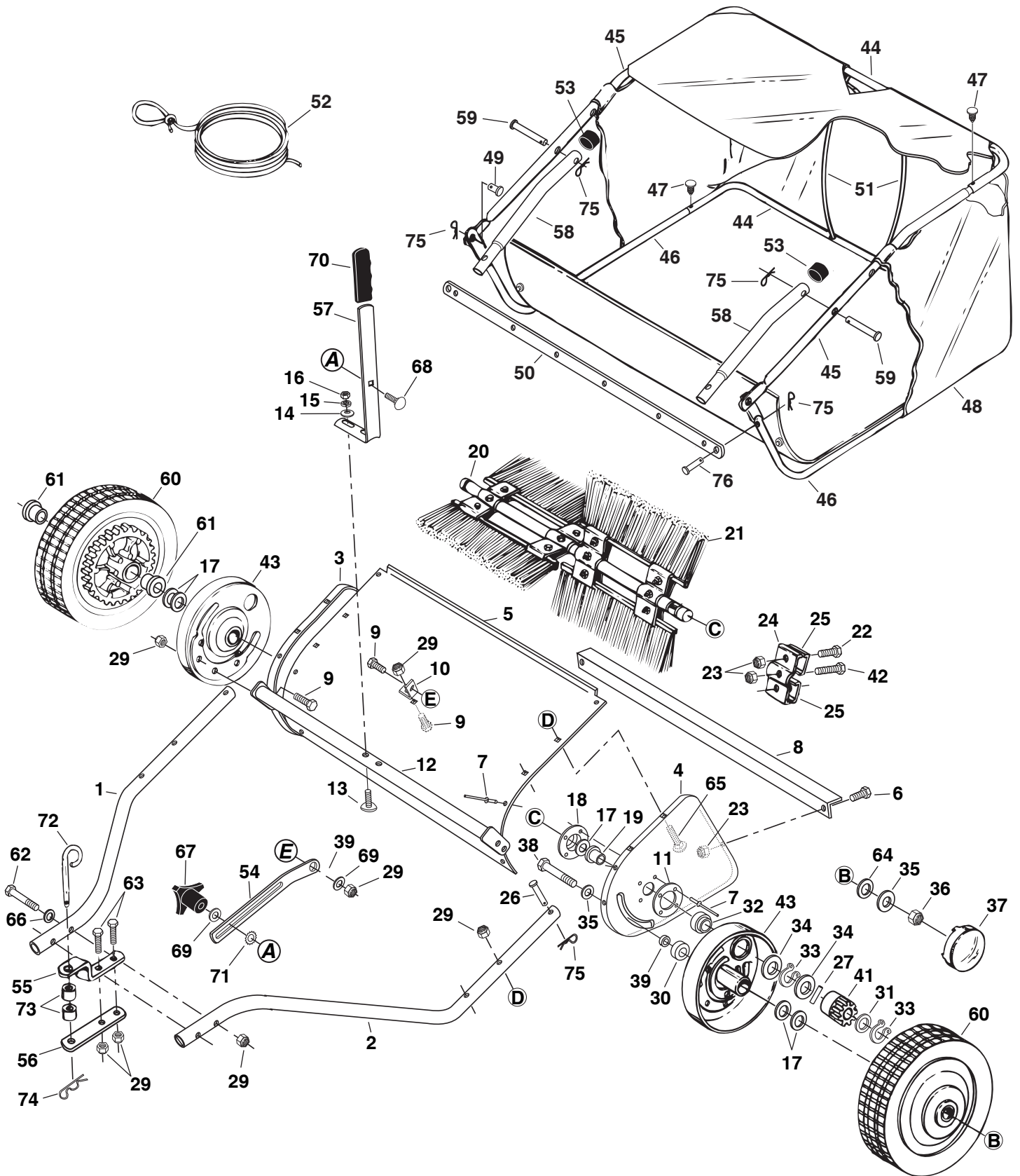


# REPAIR PARTS FOR MODEL 45-0331 38" LAWSWEEPER



## REPAIR PARTS FOR MODEL 45-0331 38" LAWNSEWER

Ref. No.	Part No.	Qty.	Description	Ref. No.	Part No.	Qty.	Description
1	48618	1	Hitch Tube, R.H.	42	43661	4	Bolt, Hex 1/4-20 x 1" Lg.
2	48619	1	Hitch Tube, L.H.	43	64578	2	Ass'y, Dust Cover
3	24950	1	End Plate, R.H.	44	48469	2	Tube, Hopper Frame (Rear)
4	24951	1	End Plate, L.H.	45	48466	2	Tube, Upper Hopper Frame (Front)
5	24971	1	Wrapper	46	48727	2	Tube, Lower Hopper Frame (Front)
6	43175	2	Bolt, Hex 1/4-20 x 1/2" Lg.	47	48402	4	Plastic Plug
7	C-9M5732	14	Rivet, Pop	48	48403	1	Hopper Bag
8	23854	1	Brace, Rear Support	49	48366	2	Clevis Pin, 3/8" x 1/2"
9	43182	6	Bolt, Hex 5/16-18 x 3/4"	50	23352	1	Strap, Bag Frame
10	23826	1	Bracket, Angle	51	43926	2	Rod, Hopper Support
11	23336	2	Washer, Special	52	43737	1	Hopper Rope
12	64546	1	Height Adjustment Tube Assembly	53	44481	2	Cap, Vinyl
13	44947	2	Bolt, Cvd. Hd. 5/16-18 x 1-5/8" Lg.	54	24979	1	Strap, Height Adjustment
14	44695	2	Washer, Bowed 1" x .32" x .06"	55	23687	1	Bracket, Hitch
15	43086	2	Lock Washer, 5/16"	56	24192	1	Bracket, Hitch (Straight)
16	43083	2	Nut, Hex 5/16-18 Thread	57	23850	1	Handle, Height Adjustment
17	R19212113	6	Washer, 5/8" SAE	58	49130	2	Tube, Bag Arm
18	1629-56	2	Retainer, Dust Cover	59	43513	2	Pin, Clevis 3/8" x 3"
19	44910	2	Bushing, Brush Shaft	60	44930	2	Wheel & Tire Ass'y. (with bearings)
20	24085	1	Brush Shaft	61	741-0249	4	Wheel Bearing
21	43905	4	Brush	62	44292	2	Bolt, Hex 5/16-18 x 2-1/2" Lg.
22	43012	8	Bolt, Hex 1/4-20 x 3/4" Lg.	63	44180	2	Bolt, Hex 5/16-18 x 2" Lg.
23	47189	12	Nut, Nylock 1/4-20 Thread	64	44125	2	Washer, .625 x 1.0 x .03
24	23580	4	Retainer, Brush (Double)	65	43681	4	Bolt, Carriage 5/16-18 x 1-1/2"
25	23581	8	Retainer, Brush (Single)	66	R19111116	2	Washer, Flat (5/16) 11/32" x 11/16"
26	46867	2	Clevis Pin, 1/4" x 1-3/4" Lg.	67	43720	1	Knob, Wing 5/16-18 Thread
27	47046	2	Dowel Pin (Drive)	68	44326	1	Bolt, Carriage 5/16-18 x 1" Lg.
29	47810	14	Nut, Nylock 5/16-18 Thread	69	43081	2	Washer, Flat 5/16" Std. Wrt.
30	48702	2	Spacer, .39 I.D". x 1-1/4" O.D. x .6"	70	43943	1	Grip, Height Adjust
31	44006	2	Washer, Flat .849" x .598" x .025"	71	44732	1	Washer, Tooth Lock 5/16"
32	46219	2	Spacer, .78 I.D". x 1-1/4" O.D. x .5"	72	23353	1	Pin, Hitch
33	1650-21	4	Ring, Retaining .594"	73	23368	2	Tube, Hitch Spacer
34	44007	4	Washer, Shim 1-1/8" x .594" x .025"	74	43343	1	Hairpin Cotter, 1/8" #4
35	141	4	Washer, Flat 1-1/2" x .375" x .062"	75	43055	8	Hairpin Cotter, 3/32" #3
36	1038	2	Nut, Nylock 3/8-24 Thread	76	48365	2	Clevis Pin, 1/4" x 1-1/8"
37	2674-32	2	Hub Cap		49131	1	Owners Manual
38	44961	2	Bolt, Hex 3/8-24 x 3-1/4" Lg.				
39	23400	3	Bushing, Spacer				
40	43886	1	Gear, Pinion R.H. (not shown)				
41	43885	1	Gear, Pinion L.H.				