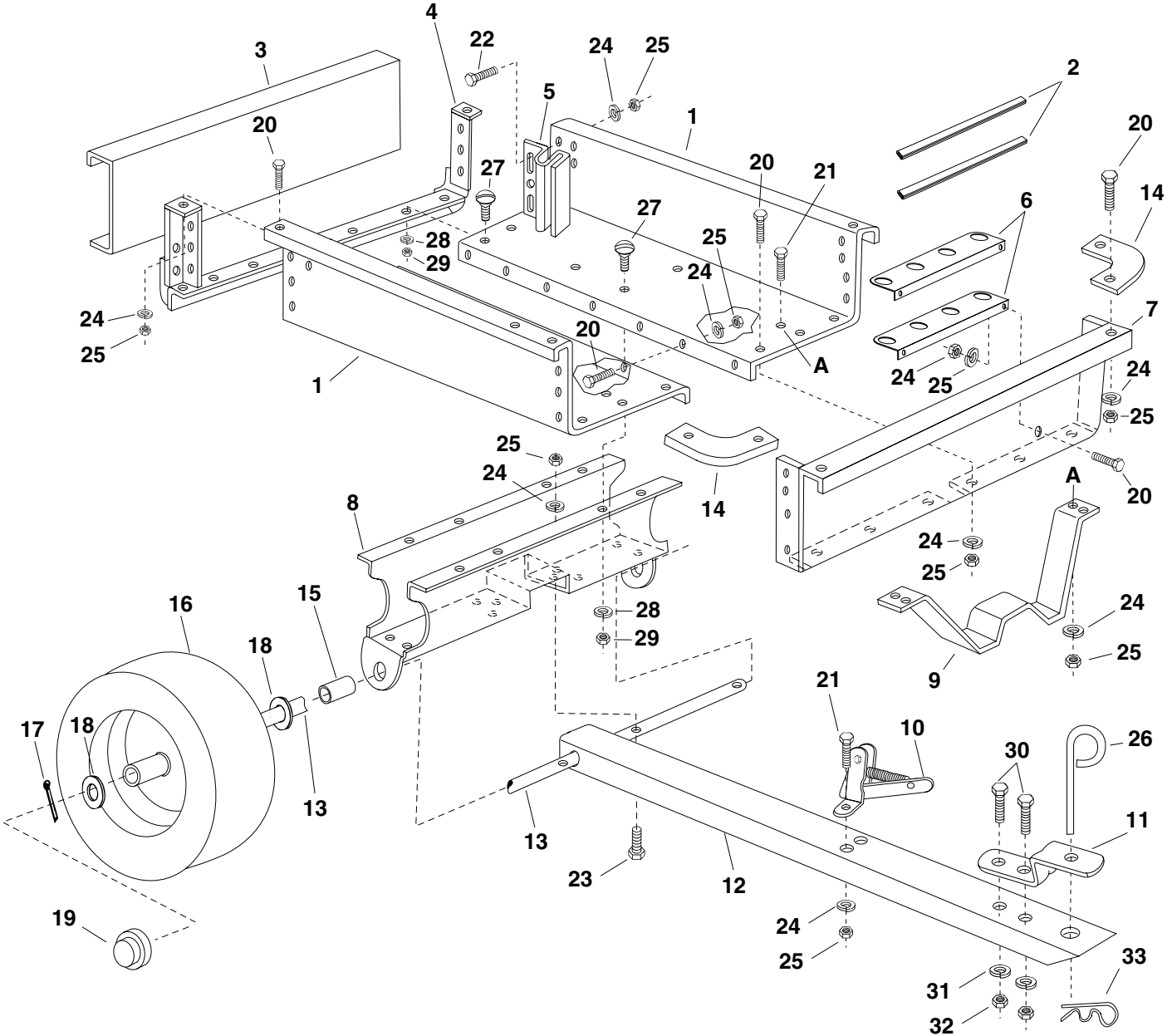


REPAIR PARTS FOR: UTILITY CART MODEL NO. 45-0240



REPAIR PARTS LIST FOR UTILITY CART MODEL NO. 45-0240

REF. NO.	PART NO.	QTY.	DESCRIPTION
1	23985	2	Cart Body
2	46138	2	Protective Edging Strip
3	23502	1	Tailgate
4	62458	1	Tailgate Reinforcement Bracket
5	23767	2	Guide, Tailgate - One Piece
6	23918	2	Tool Holder Bracket
7	23492	1	Front Panel
8	23507	1	Wheel Support
9	23297	1	Latch Stand Bracket
10	62455	1	Ass'y, Latch Lock
11	23014	1	Hitch Bracket
12	23988	1	Draw Bar Tongue
13	23488	1	Wheel Axle 1" Dia.
14	23484	2	Cap, Front Corner
15	44678	2	Sleeve Tube (Spacer)
16	46272	2	Wheel, 15.00 x 6.00
17	43093	2	Cotter Pin, 1/8" Dia. x 1-1/2"
18	43601	4	Washer, Flat 1.032" ID
19	43014	2	Hub Cap
20	43175	27	Hex Bolt, 1/4" x 1/2"
21	43866	6	Hex Bolt, 1/4" x 5/8"
22	43012	6	Hex Bolt, 1/4" x 3/4"
23	1509-69	2	Hex Bolt, 1/4" x 1-3/4"
24	43177	41	Lock washer, 1/4" ID
25	43178	41	Hex Nut, 1/4" Thread
26	23353	1	Hitch Pin
27	43814	14	Slotted Truss Hd Bolt 5/16" x 3/4" Lg.
28	43086	14	Lock Washer 5/16" ID
29	43083	14	Hex Nut 5/16" Thread
30	43001	2	Hex Bolt, 3/8" x 1"
31	43003	2	Lock Washer, 3/8" ID
32	43015	2	Hex nut, 3/8" Thread
33	43343	1	Hairpin Cotter
	46274	1	Owner's Manual

* Purchase Common Hardware Locally