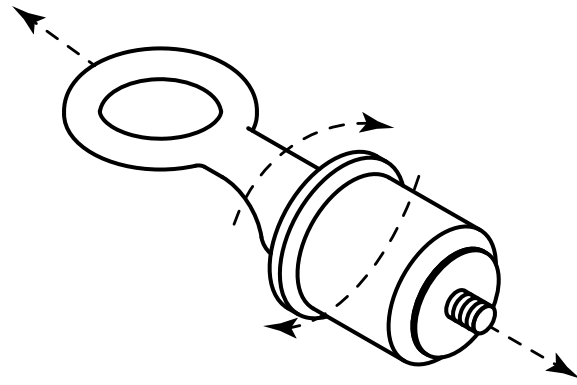


ASSEMBLY INSTRUCTIONS

(SEE ILLUSTRATION BELOW)

1. Assemble bearings (Ref. 5) into hitch tubes (Ref. 3) so that bearing flange is against outside of hitch tube. *You may need to place a block of wood against bearing and carefully tap with a hammer.*
2. Place hitch tubes (Ref. 3) onto both ends of roller shaft. Assemble a flat washer (Ref. 6) onto each end of roller shaft and secure with two cotter pins (Ref. 12).
3. Assemble scraper bar (Ref. 2) to hitch tubes (Ref. 3) using two hex bolts (Ref. 9), spacers (Ref 15), and hex lock nuts (Ref. 10). **Do not tighten yet.**
4. Assemble ends of hitch tubes (Ref. 3) together using two hex bolts (Ref. 7) and hex lock nuts (Ref. 10). **Do not tighten yet.**
5. Assemble hitch brackets (Ref. 4) to hitch tubes (Ref. 3) using two hex bolts (Ref. 8) and hex lock nuts (Ref. 10). **Do not tighten yet.**
6. **Tighten** bolts and nuts starting with scraper bar (Ref. 2), then ends of hitch tubes (Ref. 3), and finally hitch brackets (Ref. 4).
7. Install hitch pin (Ref. 13) through hitch brackets (Ref. 4) and secure with hair cotter pin (Ref. 14).
8. Adjust plug (Ref. 11) size by twisting handle. Lock a plug in each end of roller drum by flipping handle down.



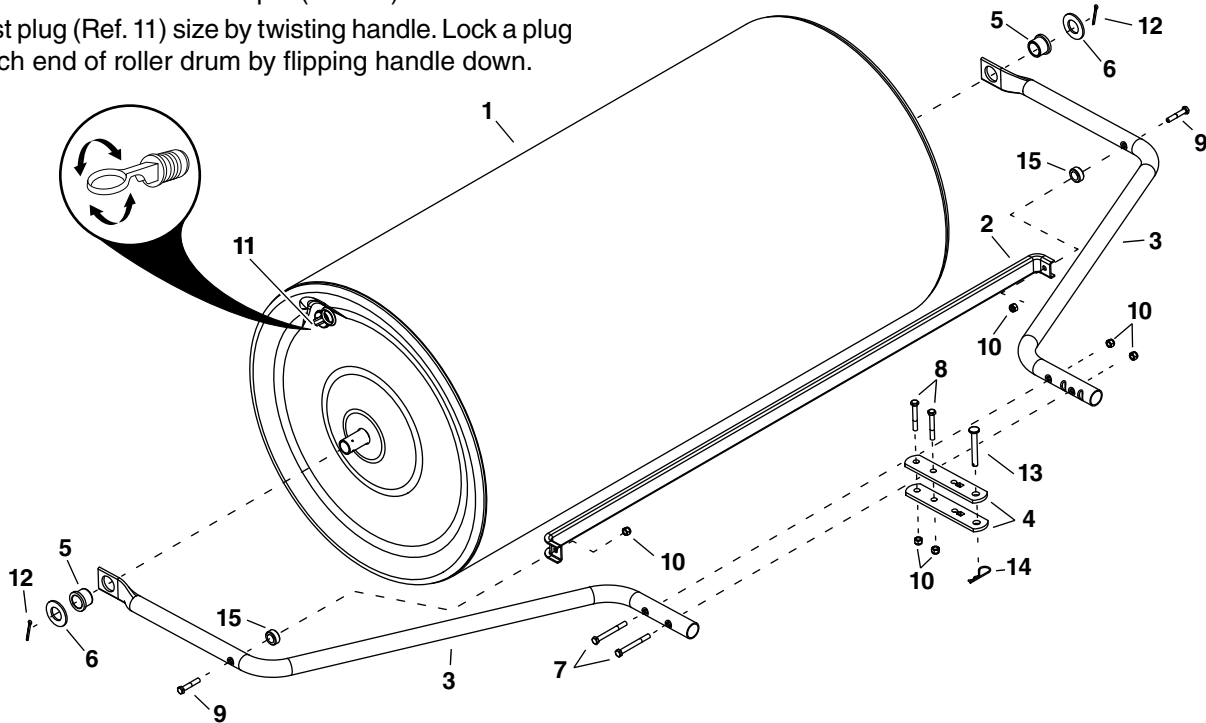
Plug Adjustment

Instructions for tightening plug

Pull plug firmly in opposing directions

Twist ring counter-clockwise to tighten

NOTE: If the outer washer is not functioning properly, use a pair of needlenose pliers to ensure that it is free.



Ref. No.	Part No.	Qty.	Description	Ref. No.	Part No.	Qty.	Description
1	-----	1	Roller Drum (Not sold separately)	8	43224	2	Hex Bolt, 5/16-18 x 2-1/4"
2	24867	1	Scraper Bar	9	43084	2	Hex Bolt, 5/16-18 x 1-3/4"
3	48361	2	Hitch Tube	10	47810	6	Hex Lock Nut, 5/16-18
4	24192	2	Hitch Bracket	11	49467	2	Plug, Lawn Roller
5	43632	2	Bearing, Plastic	12	43501	2	Cotter Pin, 5/32" x 1-1/2"
6	43528	2	Flat Washer, 1"	13	47623	1	Hitch Pin
7	46782	2	Hex Bolt, 5/16-18 x 3"	14	43343	1	Hair Cotter Pin 1/8"
				15	23625	2	Spacer