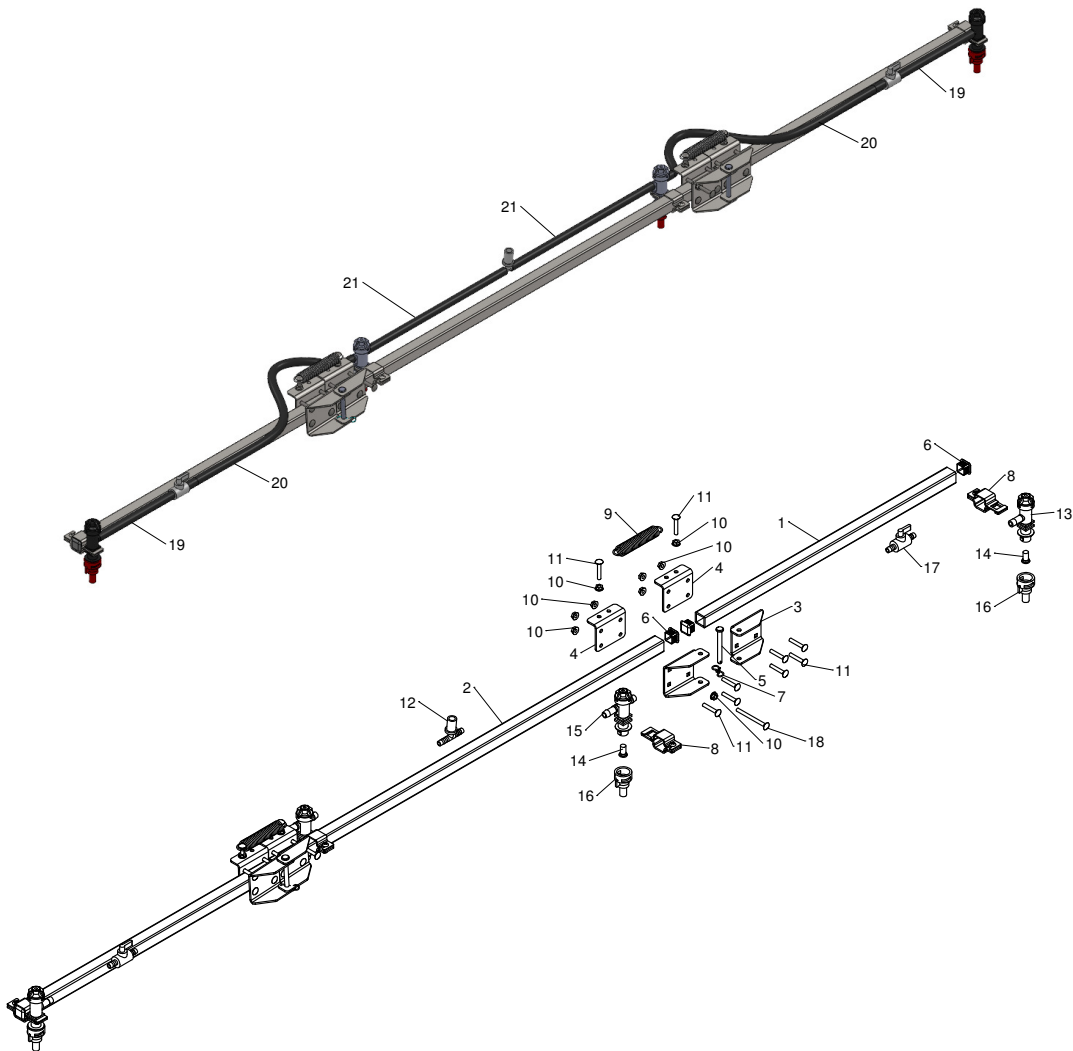


# 10' Folding Boom



ITEM NO.	PART NUMBER	DESCRIPTION	QTY.	Note
1	5CS60084	Side Boom Tube 26"	2	
2	5CS60082	Center Boom Tube 40"	1	
3	5CS43849	Boom Hinge Bracket	4	
4	5CS43389	Boom Hinge Backing Plate	4	
5	5CS43402	5/16" x 3" Clevin Pin	2	
6	5CS43401	Plastic End Cap 1"	6	
7	5CS43624	Small Bowtie Clip	2	
8	5CS43598	Square Tube Clamp 1"	4	
9	5CS43403	Spring 3/4" x 3-3/4" x .105	2	
10	N10217	1/4" Flange Nut	26	

## 10' Folding Boom

ITEM NO.	PART NUMBER	DESCRIPTION	QTY.	Note
11	03H1810	1/4" x 1-1/2" Carriage Bolt	18	
12	5CS43192	Tee 3/8 Barb w/ Nut	1	
13	5CS43406	Nozzle Body Single Hose 3/8"	2	
14	5CS43411	Spray Tip Screen	4	
15	5CS43405	Nozzle Body Dual Hose 3/8"	2	
16	5CS43843	Air Induction Spray Tip 0.4 gpm	4	
17	5CS43014	In-line Valve 3/8"	2	
18	FH325451	1/4" x 3" Carriage Bolt	2	
19		3/8" Hose	2	CTL 4", MF 5CS43286
20		3/8" Hose	2	CTL 14.5", MF 5CS43286
21		3/8" Hose	2	CTL 29", MF 5CS43286
-	5CS43652	Hose Clamp Screw Type 3/8" - 1/2"	12	Not Illustrated