



**OWNERS MANUAL
MANUAL DEL USUARIO
NOTICE D'UTILISATION**

**Model No.
Modelo No.
Modèle No.**

45-02115

CAUTION:
Read Rules for
Safe Operation
and Instructions
Carefully

PRECAUCION:
Lea cuidadosamente
los Procedimientos e
Instrucciones para la
Operación Segura de la
Máquina.

ATTENTION:
Lire et suivre attentivement
les instructions et consignes
de sécurité de cette notice.

- Safety
- Assembly
- Operation
- Maintenance
- Parts
- Seguridad
- Montaje
- Operación
- Mantenimiento
- Piezas de Repuesto
- Sécurité
- Assemblage
- Fonctionnement
- Maintenance
- Pièces de Rechange



**TOW BROADCAST SPREADER
ESPARCIDOR DE AMPLIO ALCANCE DE
REMOLQUE**

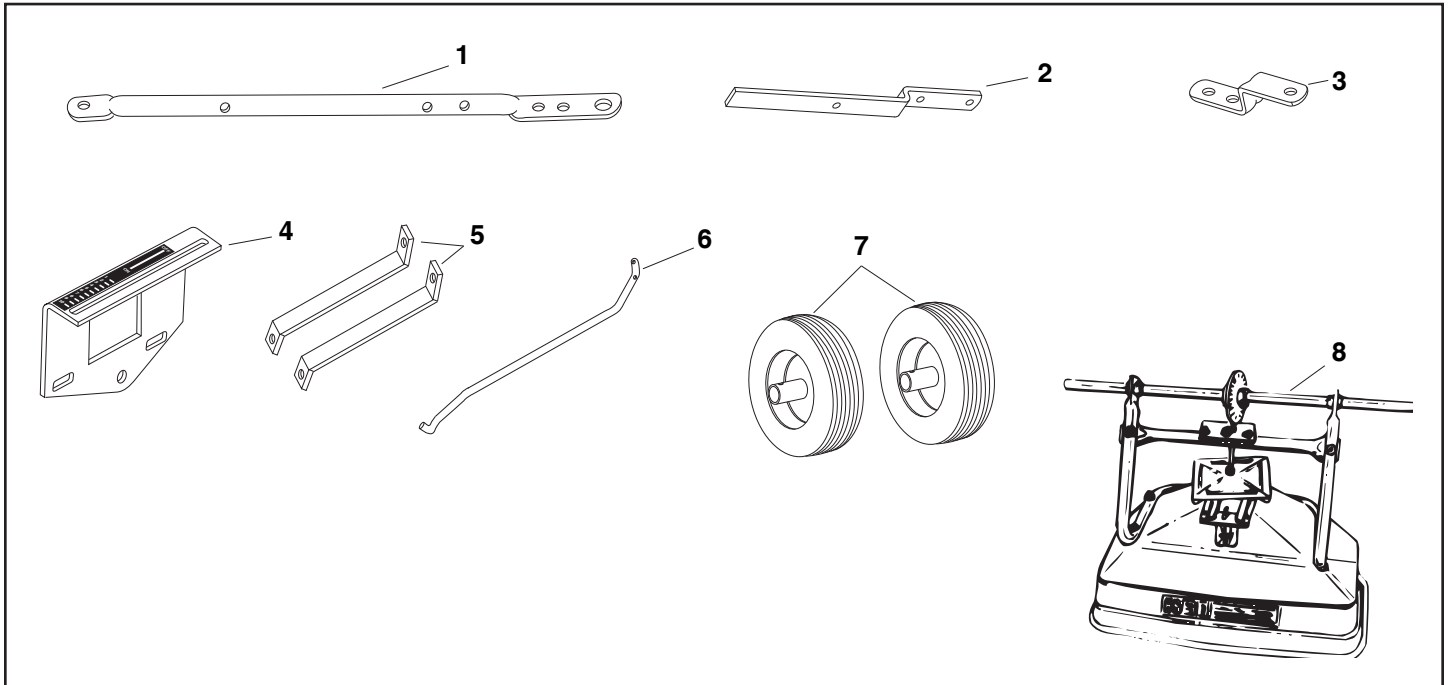
**ÉPANDEUR-AÉRATEUR À GRANDE PORTÉE À
REMORQUER**

SpeedEPart *the fastest way to purchase parts* www.speedepart.com

CARTON CONTENTS (Loose Parts in Carton)

CONTENIDO DE LA CAJA (Partes Sueltas en la Caja)

CONTENU DU CARTON (Pièces en Vrac Dans le Carton)



ENGLISH

1. Hitch Tube
2. Flow Control Arm
3. Hitch Bracket
4. Flow Control Mount Bracket
5. Braces (2)
6. Flow Control Rod
7. Wheels (2)
8. Hopper Assembly
Hardware Pack (see page 3)

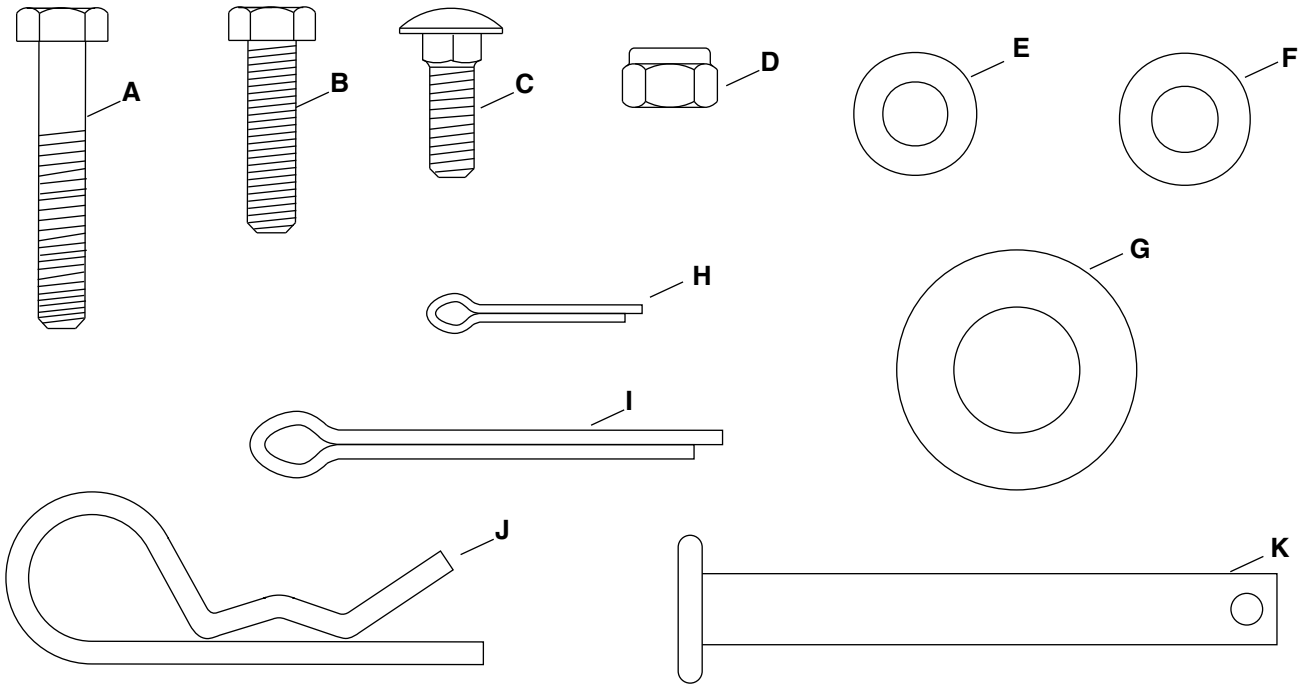
ESPAÑOL

1. Tubo de Enganche
2. Brazo del Control de Flujo
3. Soporte de Enganche
4. Soporte de Montaje del Control de Flujo
5. Puntales (2)
6. Barra de Control de Flujo
7. Ruedas (2)
8. Tapa de la Tolva
Paquete de Elementos de Ferretería
(vea la página 3)

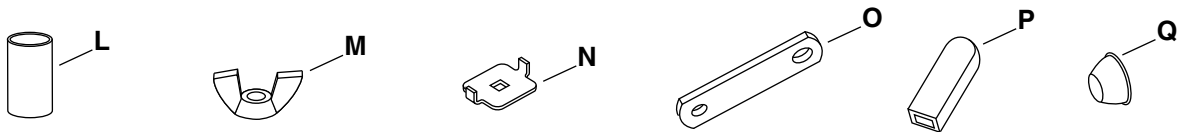
FRANÇAIS

1. Tube d'attelage
2. Bras de contrôle de débit
3. Support d'attelage
4. Support de montage du contrôle de débit
5. Entretoises d'attelage (2)
6. Bielle de contrôle de débit
7. Roues (2)
8. Couvercle de la trémie
Sac de visserie (voir page 3)

SHOWN FULL SIZE



NOT SHOWN FULL SIZE



REF.	QTY.	DESCRIPTION	REF.	QTY.	DESCRIPTION
A	5	Hex Bolt, 1/4-20 x 1-1/2"	J	1	Hair Cotter Pin
B	4	Hex Bolt, 1/4-20 x 1"	K	1	Hitch Pin
C	1	Carriage Bolt, 1/4-20 x 3/4"	L	2	Spacers
D	9	Nylock Nuts, 1/4-20 Thread	M	1	Nylon Wing Nut
E	4	Nylon Washer	N	1	Adjustable Stop
F	6	Flat Washer, 5/16"	O	1	Flow Control Link
G	4	Flat Washers, 5/8"	P	1	Grip
H	1	Cotter Pin, 3/32" x 3/4"	Q	2	Hub Cap
I	1	Cotter Pin, 5/32 x 2"			

RULES FOR SAFE OPERATION

Any power equipment can cause injury if operated improperly or if the user does not understand how to operate the equipment. Exercise caution at all times when operating equipment.

- Read the towing vehicle owners manual and towing vehicle safety rules. Know how to operate your tractor before using the broadcast spreader attachment.
- Read the chemical label instructions and cautions for handling and applying the chemicals purchased for spreading.
- Wear eye and hand protection when handling and when applying lawn or garden chemicals.
- Never operate tractor and spreader attachment without wearing substantial footwear, and do not allow anyone to ride or sit on spreader attachment frame.
- Never allow children to operate the tractor or spreader attachment, and do not allow adults to operate without proper instructions.
- Always begin with the transmission in first (low) gear and with the engine at low speed, and gradually increase speed as conditions permit. Maximum towing speed is 6 M.P.H.
- When towing broadcast spreader do not drive too close to a creek or ditch and be alert for holes and other hazards which could cause you to loose control of the broadcast spreader and tractor.
- Before operating vehicle on any grade (hill) refer to the safety rules in the vehicle owner's manual concerning safe operation on slopes. **Stay off steep slopes!**
- Follow maintenance and lubrication instructions as outlined in this manual.



LOOK FOR THIS SYMBOL TO POINT OUT IMPORTANT SAFETY PRECAUTIONS. IT MEANS — ATTENTION! BECOME ALERT! YOUR SAFETY IS INVOLVED.

ASSEMBLY INSTRUCTIONS

TOOLS REQUIRED FOR ASSEMBLY

- (1) Pliers
- (2) 7/16" Wrenches
- (1) Hammer

REMOVAL OF PARTS FROM CARTON

Remove all parts and hardware packages from the carton. Lay out all parts and hardware and identify using the illustrations on pages 2 and 3.

1. Turn the spreader upside down as shown in figure 1.

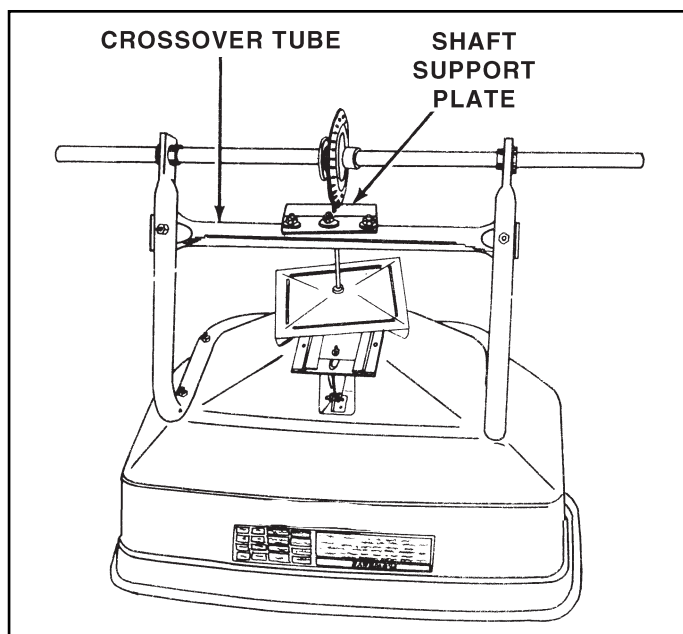


FIGURE 1

- Assemble the two hitch braces to the inside of the hopper frame, one on each side, using two 1/4" x 1-1/2" hex bolts (A) and two 1/4" nylock nuts (D). **DO NOT TIGHTEN YET.** See figure 2.
- Remove the nut from the middle bolt in the crossover tube and shaft support plate. Leave the bolt in place. See figure 2.
- Assemble the hitch tube onto the middle bolt and secure it with the same nut you removed. **DO NOT TIGHTEN YET.** See figure 2.

IMPORTANT: The hitch tube must attach to the side of the crossover tube opposite the shaft support plate.

- Assemble the two hitch braces to the hitch tube using a 1/4" x 1-1/2" hex bolt (A) and a 1/4" nylock nut (D). **DO NOT TIGHTEN YET.** See figure 2.
- Tighten** the nuts and bolts fastening the hitch braces to the hopper frame and the hitch tube, then tighten the middle lock nut fastening the hitch tube to the crossover tube. **DO NOT COLLAPSE TUBES WHEN TIGHTENING.**

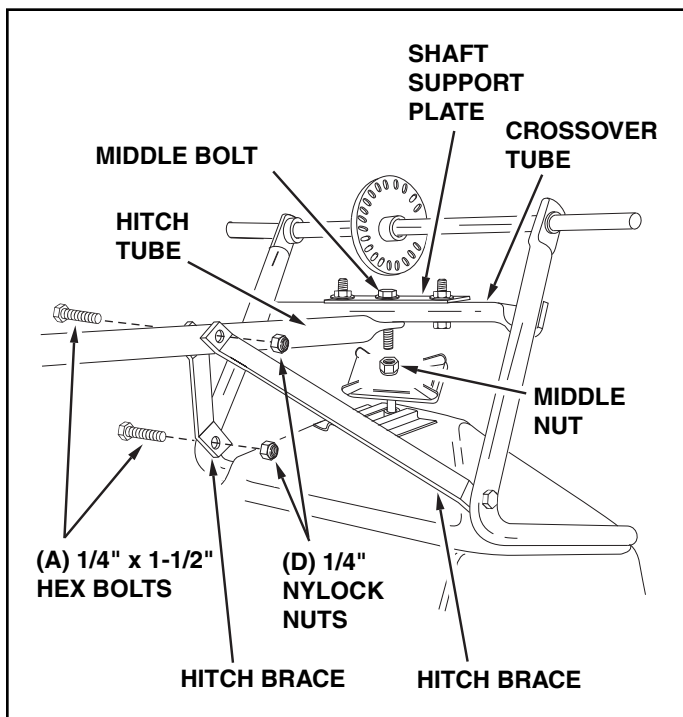


FIGURE 2

- Select the end of the axle with no cross hole. Assemble a spacer (L), a 5/8" flat washer (G), a wheel (air valve facing out) and then another 5/8" flat washer (G) onto the axle. See figure 3.
- Install a hub cap (Q) by tapping it carefully onto the axle with a hammer. See figure 3.

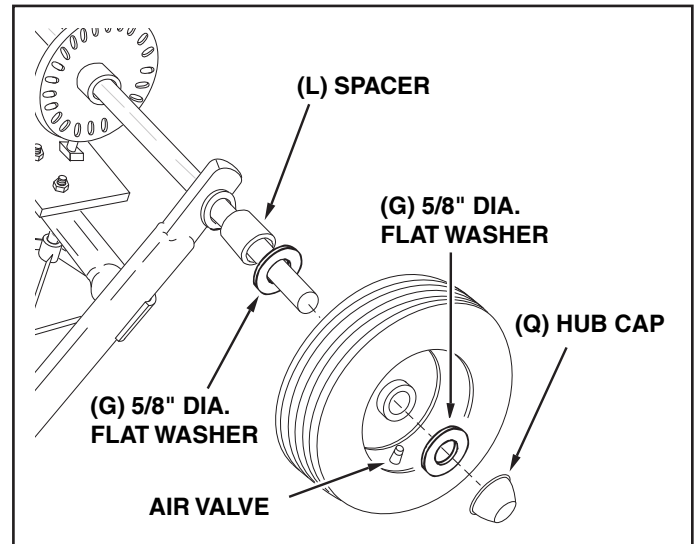


FIGURE 3

- Select the end of the axle containing the cross hole. Assemble a spacer (L), a 5/8" flat washer (G), a wheel (air valve facing out) and then another 5/8" flat washer (G) onto the axle. Insert the 5/32" x 2" cotter pin (I) through the wheel hub and the axle and then spread the ends of the pin. See figure 4.
- Install a hub cap (Q) by tapping it carefully onto the axle with a hammer. See figure 4.

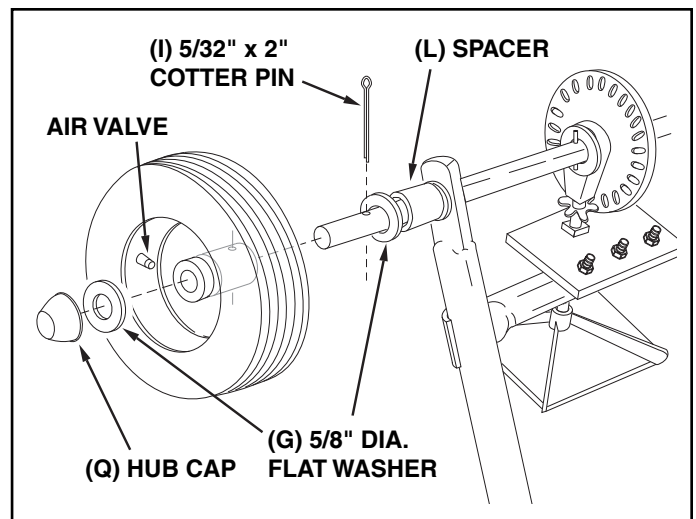


FIGURE 4

ENGLISH

11. Turn the spreader upright on its wheels.
12. Assemble the hitch bracket to the top of the hitch tube using two 1/4" x 1" hex bolts (B) and 1/4" nylock nuts (D). See figure 5.
13. Assemble the hitch pin (K) through the hitch bracket and the hitch tube and secure with the hair cotter pin (J). See figure 5.

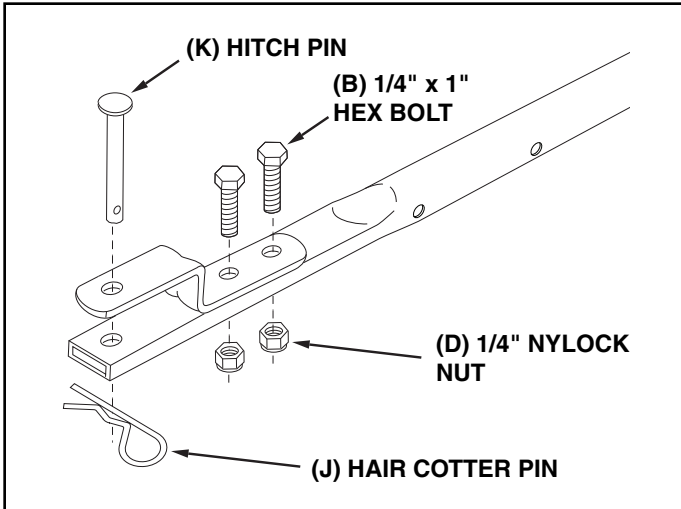


FIGURE 5

14. Assemble the flow control link (O) (end with small hole) to the flow control arm using a 1/4" x 1" hex bolt (B), a nylon washer (E) and a 1/4" nylock nut (D). **Tighten carefully.** The flow control link should not be loose but should pivot with no more than slight resistance. See figure 6.

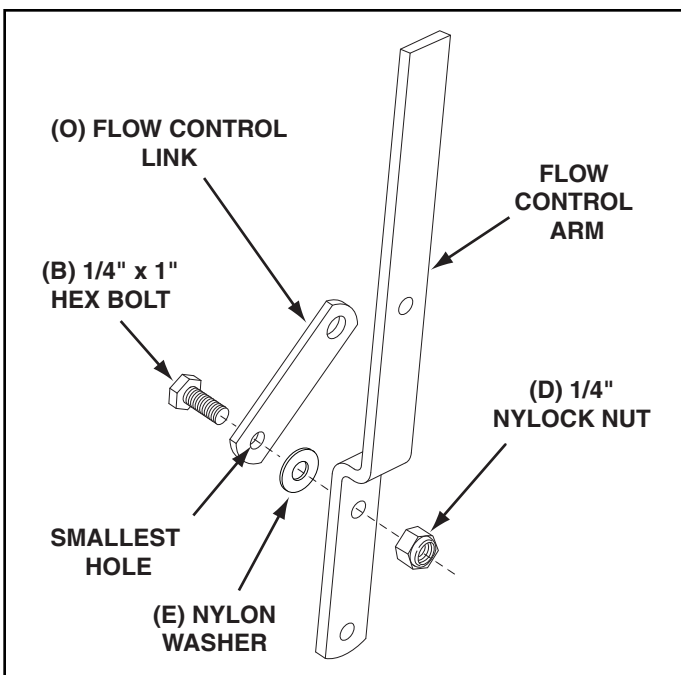


FIGURE 6

15. Assemble the flow control arm to the flow control mounting bracket using a 1/4" x 1" hex bolt (B), two nylon washers (E) and a 1/4" nylock nut (D) as shown in figure 7. **Tighten carefully.** The flow control arm should pivot with a slight resistance.
16. Assemble the vinyl grip (P). See figure 7.

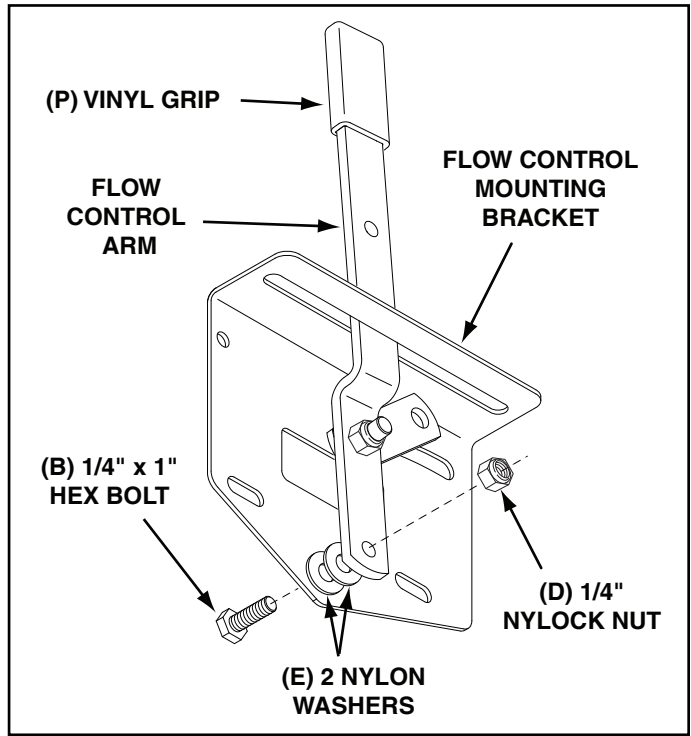


FIGURE 7

17. Place a 5/16" flat washer (F) onto the end of the flow control rod. Insert the end of the rod through the slot in the flow control mounting bracket and through the hole in the flow control link (O). Secure with a 3/32" x 3/4" cotter pin (H). See figure 8.

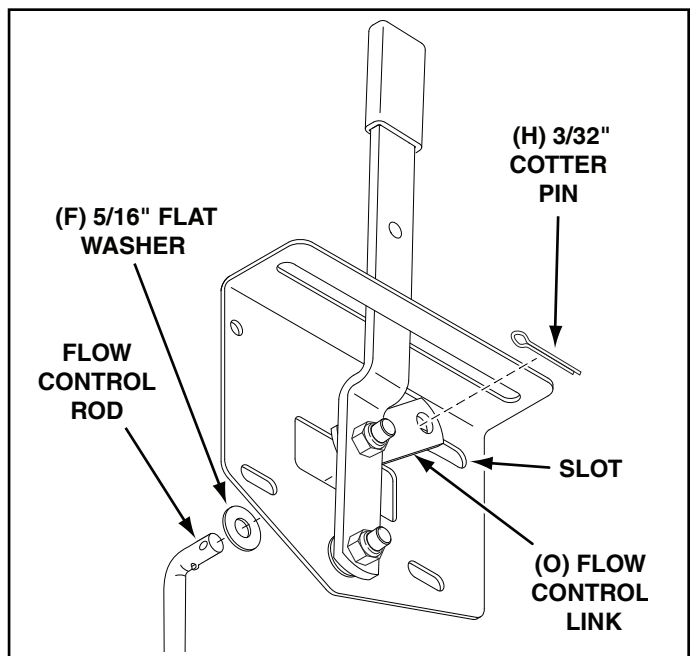


FIGURE 8

18. Hook the free end of the flow control rod through the hole in the slide gate bracket located near the bottom of the hopper. See figure 9.

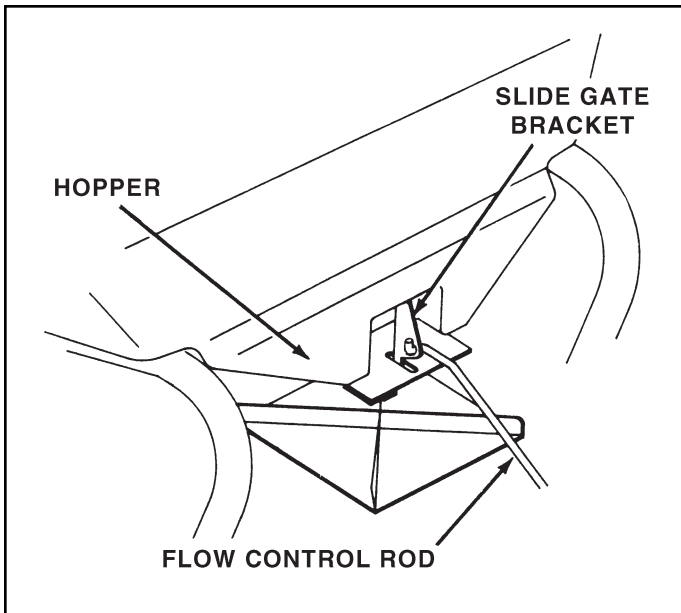


FIGURE 9

19. Assemble the flow control mounting bracket to the hitch tube using two 1/4" x 1-1/2" hex bolts (A), four 5/16" flat washers (F) and two 1/4" nylock nuts (D) as shown in figure 10. **Do not tighten at this time.**

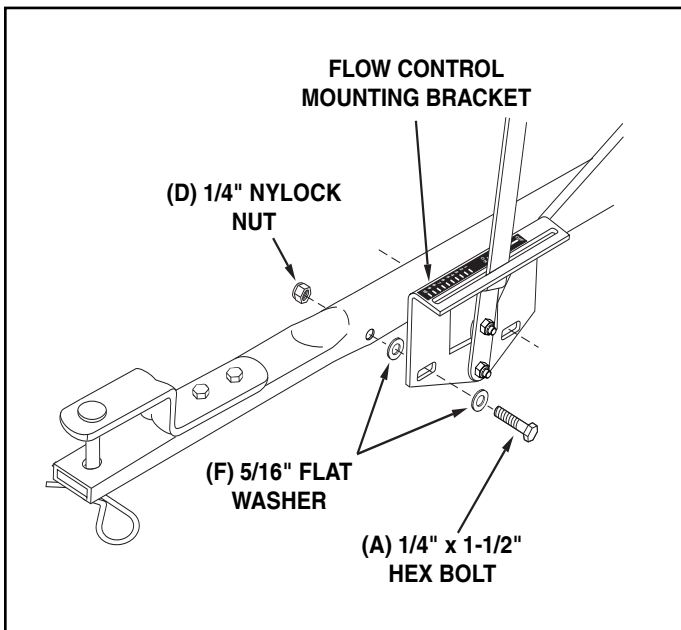


FIGURE 10

20. Place the adjustable stop (N) into the "ON" end of the slot in the top of the flow control mounting bracket. Secure with the 1/4" x 3/4" carriage bolt (C), a nylon washer (E), a 5/16" flat washer (F) and the nylon wing nut (M). See figure 11.

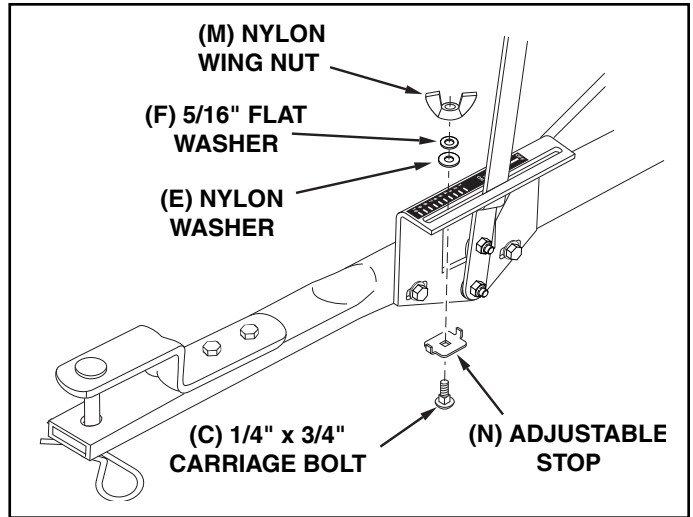


FIGURE 11

21. Position the flow control mounting bracket (figure 12).
- Push on flow control arm until it locks in "OFF" position.
 - Slide flow control mounting bracket along tube until closure plate in bottom of hopper just closes.
 - Snug the mounting bolts just enough to hold flow control mounting bracket in place.
 - Set adjustable stop at "5". Pull flow control arm against stop. Verify that closure plate has opened about half way.
 - If closure plate does not open half way, it may be closed too far at "OFF". Adjust position of flow control mounting bracket until closure plate will open about half way at "5" and still close when arm is locked in "OFF". **Tighten** mounting bolts.

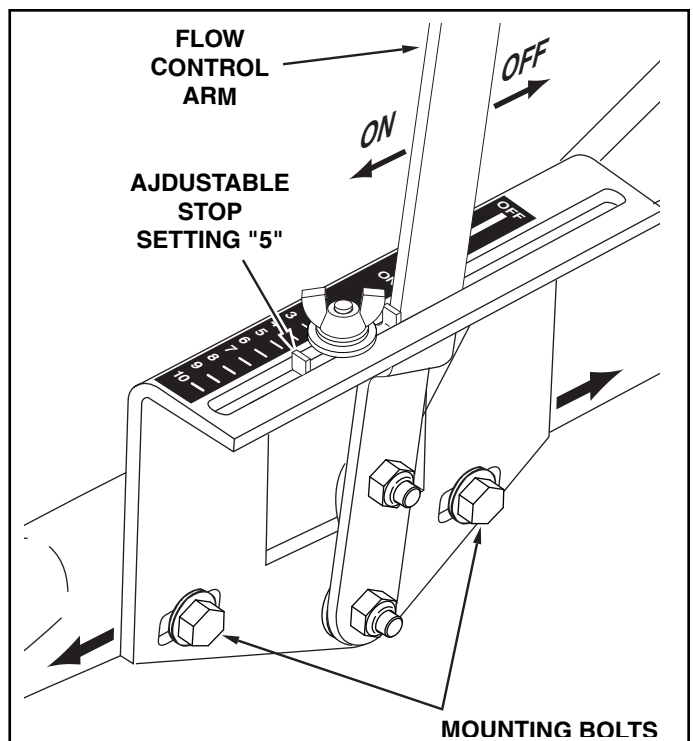


FIGURE 12

OPERATION

HOW TO USE YOUR SPREADER

SETTING THE FLOW CONTROL

(Refer to figure 12 on page 7.)

1. Loosen the nylon wing nut, set the adjustable stop to the desired flow rate setting and retighten the wing nut. The higher the setting number, the wider the opening in the bottom of the hopper.
2. Refer to the application chart on page 8 and to the instructions on the fertilizer bag to select the proper flow rate setting.
3. Pull the flow control arm against the adjustable stop for the on position and toward the hopper for the off position.

USING YOUR SPREADER

We do not recommend the use of any powdered lawn chemicals, due to difficulty in obtaining a satisfactory or consistent broadcast pattern.

1. Determine approximate square footage of area to be covered and estimate amount of material required.
2. Before filling the hopper make sure the flow control arm is in the off position and the closure plate is shut.
3. Break up any lumpy fertilizer as you fill the hopper.
4. Set the adjustable stop with the flow control arm still in the off position. Refer to the application chart on this page and to the instructions on the fertilizer bag to select the proper flow rate setting.
5. The application chart is calculated for light to heavy application at a vehicle speed of 3 mph, or 100 ft. in 23 seconds. A variation in speed will require an adjustment of the flow rate to maintain the same coverage. The faster you drive, the wider the broadcast width. The maximum towing speed is 6 mph.
6. Always start the tractor in motion before opening closure plate.
7. Always shut the closure plate before turning or stopping the tractor.
8. If fertilizer is accidentally deposited too heavily in a small area, soak the area thoroughly with a garden hose or sprinkler to prevent burning of the lawn.
9. To insure uniform coverage, make each pass so that the broadcast pattern slightly overlaps the pattern from the previous pass as shown in figure 13. The approximate broadcast widths for different materials are shown in the application chart on this page.
10. When broadcasting weed control fertilizers, make sure the broadcast pattern does not hit evergreen trees, flowers or shrubs.
11. Heavy moisture conditions may require a cover over the hopper to keep contents dry. The vinyl cover (available as an accessory) acts as a wind and moisture shield, but should not be used as a rain cover. Refer to the parts list on page 19.

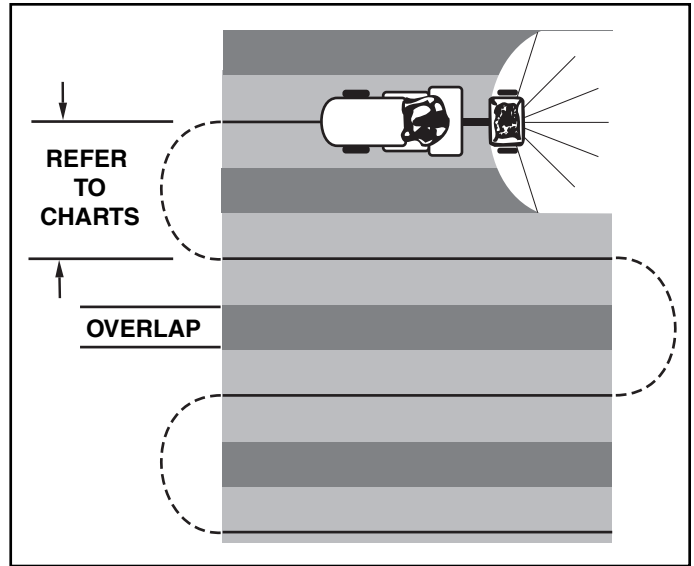


FIGURE 13

IMPORTANT: Application rates shown in the chart are affected by humidity and by the moisture content of the material (granular and pellet). Some minor setting adjustments may be necessary to compensate for this condition.

APPLICATION CHART

MATERIAL TYPE	FLOW SETTING	SPREAD WIDTH
<i>FERTILIZER</i>		
Powder	3 - 5	3' - 4'
Granular	3 - 5	8' - 10'
Pelleted	3 - 5	10' - 12'
Organic	6 - 8	6' - 8'
<i>GRASS SEED</i>		
Fine	3 - 4	6' - 7'
Coarse	4 - 5	8' - 9'
<i>ICE MELTER</i>	6 - 8	10' - 12'

OPERATING SPEED - 3 MPH. (100 ft. in 23 seconds)

MAINTENANCE

CHECK FOR LOOSE FASTENERS

1. Before each use make a thorough visual check of the spreader for any bolts and nuts which may have loosened. Retighten any loose bolts and nuts.

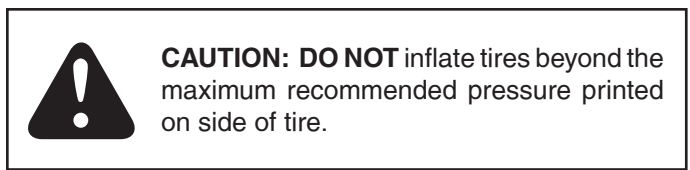
CHECK FOR WORN OR DAMAGED PARTS

2. Check for worn or damaged parts before each use. Repair or replace parts if necessary.

CHECK TIRE INFLATION

3. Check if tires are adequately inflated before each use. Do not inflate beyond maximum recommended pressure.

CLEANING



4. Rinse inside of hopper and exterior of spreader and dry off before storing.

LUBRICATE (See figure 14.)

5. Lightly apply automotive grease as needed to the sprocket and gear.
6. Oil the nylon bushings on the vertical sprocket shaft and on the axle at least once a year, or more often as needed.
7. Oil right hand (idler) wheel bearing at least once a year or more often as needed.

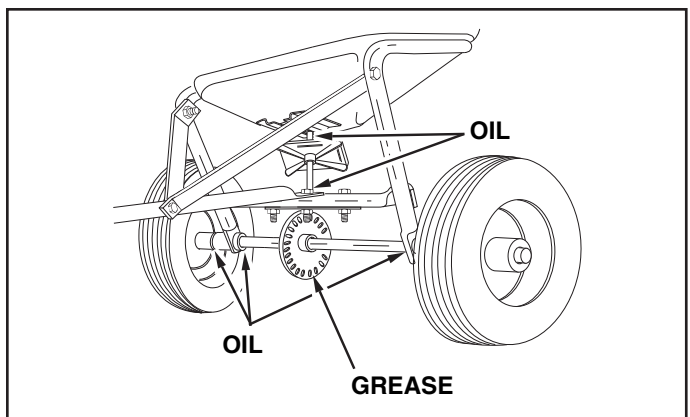


FIGURE 14

STORAGE

1. Rinse inside of hopper and exterior of spreader and dry off before storing.
2. Store in a clean, dry area.

SERVICE AND ADJUSTMENTS

REPLACING SLOTTED GEAR

1. If the axle, slotted gear and sprocket assembly is disassembled, mark down the positions of the parts as they are removed. The drive wheel and sprocket positions in relation to the slotted gear determine which direction the spreader plate will spin. Be sure to reassemble them in their original positions. (Refer to figure 4 on page 5.) Use shim washers (Ref. no. 21 on pages 18 and 19) as needed for minimum backlash. Add grease to gear and sprocket.

LOCKED UP SPREADER

1. Turn the spreader over so that the wheels are off the ground.
2. Loosen all three nuts on the shaft support plate just enough so that the bolts can be turned easily with a wrench but cannot be turned by hand.
3. Spin the drive wheel and note how freely it spins and how much noise the slotted gear makes.
4. To free up the wheel and gear, tap gently on the front or rear edge of the shaft support plate to move it slightly forward or backward. You can also tap at the corners of the plate to angle it slightly.
5. Spin the drive wheel after each adjustment to see if it spins more freely and if the gear noise is reduced.
6. Continue making slight adjustments until you find the position where the drive wheel spins most freely and the gear makes the least noise.
7. Secure the shaft support plate in this position by retightening all three nuts that you loosened.

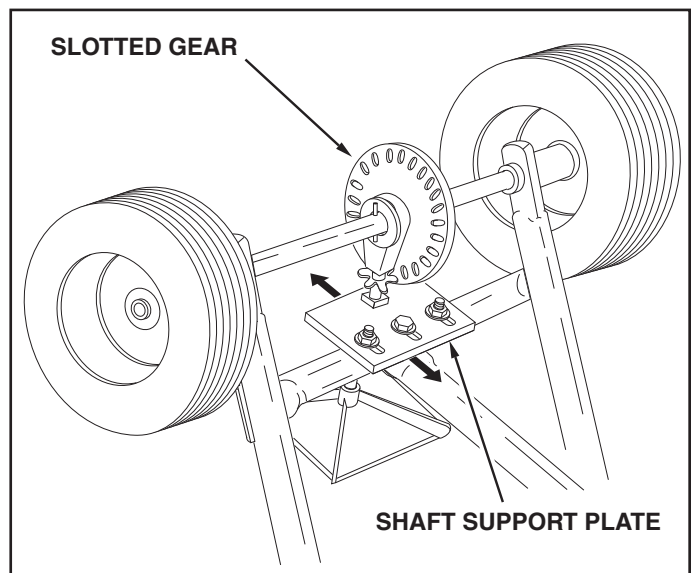


FIGURE 15

REGLAS PARA OPERACIONES SEGURAS

Recuerde, cualquier equipo motorizado puede causar lesiones si se opera incorrectamente o si el usuario no entiende cómo operar el equipo. Sea precavido en todo momento al usar equipo motorizado.

- Lea el manual del propietario y las reglas de seguridad del vehículo de arrastre. Aprenda cómo operar su tractor antes de usar el implemento Esparcidor de Lanzado.
- Lea las instrucciones y las precauciones que se encuentran en la etiqueta del producto para conocer todo lo relativo al manejo y aplicación de las sustancias químicas que ha comprado para ser aplicadas.
- Use protección para ojos y manos cuando maneje y cuando aplique sustancias químicas para césped o para jardín.
- Nunca opere el tractor y el implemento esparcidor sin estar muy bien calzado, y no permita que nadie se monte o se sienta en el marco del esparcidor.
- Nunca permita que los niños operen el tractor ni el implemento esparcidor, y no permita que ningún adulto los opere sin conocer antes las respectivas instrucciones.
- Siempre empiece con la transmisión en primera (bajo) y con el motor a baja velocidad, y aumente gradualmente la velocidad, según lo permitan las condiciones. La máxima velocidad de remolque es de 6 MPH (10 km/h).
- Cuando arrastre el esparcidor de lanzado, no conduzca demasiado cerca de quebradas o zanjas, y esté alerta a los huecos y demás peligros que podrían hacer que usted perdiera el control del esparcidor y del tractor.
- Antes de operar el vehículo en cualquier superficie inclinada (o colina), consulte las reglas de seguridad que aparecen en el manual del propietario del vehículo, relativas a la operación segura en colinas. **!Manténgase alejado de colinas empinadas!**
- Siga las instrucciones de mantenimiento y lubricación, según se describen en este manual.



OBSERVE ESTE SIMBOLO PARA INDICAR PRECAUCIONES IMPORTANTES DE SEGURIDAD.
¡SIGNIFICA — ATENCION! ¡ESTE ALERTA! ESTA INVOLUCRADA SU SEGURIDAD.

ARMADO

HERRAMIENTAS REQUERIDAS PARA EL ARMADO

- (1) Pinzas
- (2) Llaves de 7/16"
- (1) Martillo

Saque del cartón de empaque todas las partes y los paquetes de ferretería. Extienda todas las partes y la ferretería e identifíquelos usando las ilustraciones de las páginas 2 y 3.

Nota: La mano derecha y la izquierda se determinan desde la posición del operador sentado en el vehículo de arrastre.

Nota: las figuras del armado se encuentran en las páginas de 4 a 7.

1. Voltee boca abajo el esparcidor según se muestra en la figura 1.
2. Instale los dos puntales de enganche en el interior del marco de la tolva, usando un perno hexagonal (A) y una tuerca (D) en cada lado. **NO APRIETE TODAVIA.** Vea la figura 2.
3. Remueva la tuerca del perno del medio en el tubo de cruce y la placa de soporte del eje. Deje el perno en su lugar. Vea la figura 2.
4. Instale el tubo de enganche sobre el perno del medio y asegúrelo con la misma tuerca que removió. **NO APRIETE TODAVÍA.** Vea la figura 2.

IMPORTANTE: El tubo de enganche debe fijarse en el lado del tubo de cruce, opuesto a la placa de soporte del eje.

5. Instale los dos puntales de enganche en el tubo de enganche, usando un perno hexagonal (A) y una tuerca (D). **NO APRIETE TODAVIA.** Vea la figura 2.
6. **Apriete** las tuercas y pernos que fijan los puntales de enganche al marco de la tolva y al tubo de enganche y luego apriete la tuerca de cierre del medio que fija el tubo de enganche al tubo de cruce. **NO OCASIONE EL COLAPSO DE LOS TUBOS AL APRETAR.**
7. En el extremo del eje que no tiene la perforación a través, instale, en este orden: un espaciador (L), una arandela plana (G), una rueda (con la válvula de aire mirando hacia afuera) y, luego, otra arandela plana (G). Vea la figura 3.
8. Instale la tapa de cubo (Q) golpeando cuidadosamente en el eje con un martillo. Vea la figura 3.
9. En el extremo del eje que tiene la perforación a través, instale, en este orden: un espaciador (L), una arandela plana (G), una rueda (con la válvula de aire mirando hacia afuera) y, luego, otra arandela plana (G). Inserte el perno hendido (I) a través de la tapa de cubo y el eje y, luego, abra los extremos del perno. Vea la figura 4.
10. Instale la tapa de cubo (Q) golpeando cuidadosamente en el eje con un martillo. Vea la figura 4.
11. Coloque sobre sus ruedas el esparcidor, en posición vertical.
12. Instale el soporte de enganche sobre el tubo de enganche usando 2 pernos hexagonales (B) y tuercas (D). Vea la figura 5.

13. Instale el perno de enganche (K) a través del soporte de enganche y del tubo de enganche y asegúrelos con el pasador de aleta (J). Vea la figura 5.
14. Instale el eslabón de control de flujo (O) (por el extremo del agujero pequeño) en el brazo de control de flujo usando un perno hexagonal (B), una arandela de nilón (E) y una tuerca (D). **Apriete con cuidado.** El vínculo de control de flujo no debe quedar flojo, pero debe poder girar oponiendo muy poca resistencia. Vea la figura 6.
15. Ensamble el brazo de control de flujo en el soporte de montaje del control de flujo, usando un perno hexagonal (B), dos arandelas de nylon (E) y una tuerca (D). **Apriete cuidadosamente.** El brazo de control de flujo deberá ajustar sin holgura, y deberá girar con apenas una leve resistencia. Vea la figura 7.
16. Ensamble el mango de vinilo (P) en el brazo de control de flujo. Vea la figura 7.
17. Coloque una arandela plana (F) sobre el extremo de la barra de control de flujo. Inserte el extremo de la barra a través de la ranura curvada en el soporte de montaje de control de flujo (O), y a través del hueco en el eslabón de control de flujo. Asegure con un perno hendido (H). Vea la figura 8.
18. Enganche el extremo libre de la barra de control de flujo a través del agujero del soporte de la compuerta móvil ubicado cerca del fondo de la tolva. Vea la figura 9.
19. Instale el soporte de montaje de control de flujo en el tubo de enganche usando dos pernos hexagonales (A), cuatro arandelas planas (F) y dos tuercas (D) como se muestra en la figura 10. **No apriete todavía.**
20. Coloque el elemento ajustable de parada (N) en el extremo "ON" (ABIERTO) de la ranura en la parte superior del soporte de montaje del control de flujo. Asegure con el perno de carruaje (C), una arandela de nylon (E), una arandela plana (F) y la tuerca de mariposa de nylon (M). Vea la figura 11.
21. Coloque el soporte de montaje del control de flujo (Figura 12).
 - a. Empuje el brazo de control de flujo hasta que ajuste en posición "OFF" (CERRADO).
 - b. Deslice el soporte de montaje del control de flujo a lo largo del tubo, hasta que la placa de taponamiento en el fondo de la tolva apenas cierre.
 - c. Ajuste las tuercas de cierre, apenas lo suficiente para sostener en su lugar el soporte de montaje del control de flujo.
 - d. Gradúe el elemento ajustable de parada en "5". Tire del brazo de control de flujo contra el elemento de parada. Verifique que la placa de taponamiento haya abierto más o menos hasta la mitad.
 - e. Si la placa de taponamiento no abre hasta la mitad, ajuste la posición de el soporte de montaje del control de flujo hasta que la placa de taponamiento abra hasta más o menos la mitad en "5" y se mantenga cerrada cuando el brazo quede ajustado en la posición "OFF" (CERRADO). **Apriete** las tuercas de cierre de 1/4".

OPERACIÓN

FORMA DE USAR EL ESPARCIDOR GRADUACION DEL CONTROL DE FLUJO

(Refiérase a la figura 12 en la página 7)

1. Afloje la tuerca de mariposa de nylon, gradúe el elemento ajustable de parada en la graduación de cantidad de flujo deseada y vuelva a apretar la tuerca de mariposa. A mayor número de graduación, más amplia será la apertura en el fondo de la tolva.
2. Refiérase al cuadro de aplicación en la página 12 y a las instrucciones de la bolsa del fertilizante, para seleccionar la graduación adecuada de cantidad de flujo.
3. Tire del brazo de control de flujo contra el elemento ajustable de parada para la posición de ABIERTO y hacia la tolva para la posición de CERRADO.

USO DEL ESPARCIDOR

No recomendamos el uso de sustancias químicas en polvo, no granuladas, para el césped, debido a la dificultad de obtener un patrón de lanzamiento satisfactorio o consistente.

1. Determine la medida aproximada del área que se va a cubrir en pies o metros cuadrados, y estime la cantidad de material que necesita.
2. Antes de llenar la tolva, asegúrese de que el brazo de control de flujo esté en posición de CERRADO, y la placa de taponamiento esté cerrada.
3. No use fertilizante apelmazado, y separe los terrones a medida que llena la tolva.
4. Gradúe el elemento ajustable de parada, manteniendo el brazo de control de flujo en la posición cerrada. Refiérase al cuadro de aplicación en esta página y a las instrucciones en la bolsa del fertilizante para seleccionar la graduación adecuada para la tasa de flujo.
5. El cuadro de aplicación está calculado para una aplicación de ligera a pesada, a una velocidad del vehículo de 3 MPH (4,8 km/h), sea 30 metros en 23 segundos. Cualquier variación de la velocidad requerirá un ajuste de la tasa de flujo para mantener el mismo cubrimiento. A mayor velocidad, más amplia será la anchura del lanzamiento.
6. Siempre arranque y ponga el tractor en movimiento antes de abrir la placa de taponamiento.
7. Siempre cierre la placa de taponamiento antes de girar o detener el tractor.
8. Si accidentalmente el fertilizante se acumula demasiado en un área pequeña, empape a fondo el área con una manguera de jardín o un rociador, para evitar que el césped se queme.
9. Para garantizar un cubrimiento uniforme, realice cada pasada superponiendo ligeramente el patrón de lanzamiento de la pasada anterior, según se muestra en la figura 13. Los anchos aproximados de lanzamiento para los diferentes materiales, se muestran en el cuadro de aplicación en esta página.
10. Cuando aplique fertilizantes para control de hierbas o malezas, asegúrese de que el patrón de lanzamiento no llegue a los árboles de verde perenne, a las flores ni a los arbustos.
11. Bajo condiciones de alta humedad puede ser necesario cubrir la tolva para mantener seco su contenido. La cubierta de vinilo que se ofrece como un accesorio actúa como defensa contra el viento y la humedad, pero no debe usarse como una cubierta contra la lluvia. Consulte la lista de partes de la página 19.

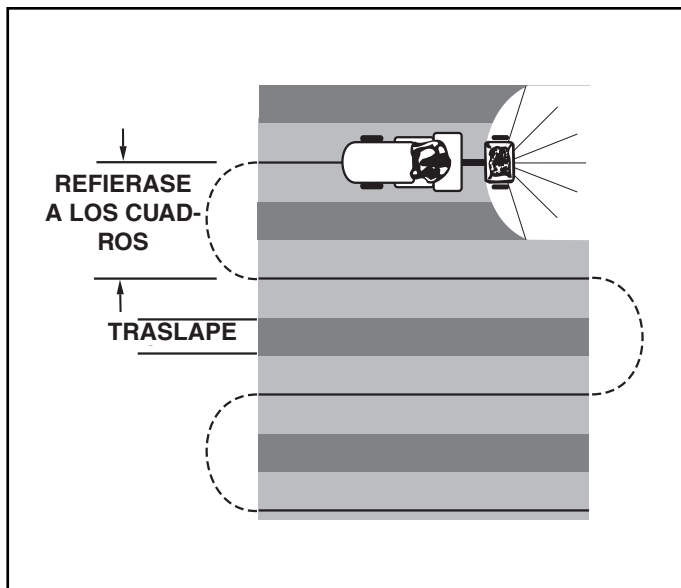


FIGURA 13

IMPORTANTE: Las tasas de aplicación que aparecen en el cuadro están afectadas por la humedad y por el contenido de humedad del material (granular o peletizado). Pueden ser necesarios algunos ajustes menores para compensar esta condición.

CUADRO DE APLICACION

TIPO DE MATERIAL	GRADUACIÓN DE FLUJO	ANCHO DE LANZADO
<i>FERTILIZANTE</i>		
En Polvo	3 - 5	3' - 4' (0.9 - 1.2 m)
Granulado	3 - 5	8' - 10' (2.4 - 3 m)
Peletizado	3 - 5	10' - 12' (3 - 3.6 m)
Orgánico	6 - 8	6' - 8' (1.8 - 2.4 m)
<i>SEMILLA DE CESPED</i>		
Fina	3 - 4	6' - 7' (1.8 - 2.1 m)
Gruesa	4 - 5	8' - 9' (2.4 - 2.7 m)
<i>DERRETIDOR DE HIELO</i>	6 - 8	10' - 12' (3 - 3.6 m)

VELOCIDAD DE OPERACION

3 MPH (4,8 km/h), o 30 metros en 23 segundos

MANTENIMIENTO

REVISE SI HAY ELEMENTOS DE AJUSTE SUELTOS

1. Antes de cada uso, realice una revisión visual detallada del esparcidor en busca de pernos o tuercas sueltos o flojos. Vuelva a apretar los pernos o las tuercas flojas.

REVISE SI HAY PARTES GASTADAS O DAÑADAS

2. Antes de cada uso, revise si hay partes gastadas o dañadas. Repare o reemplace las partes cuando sea necesario.

REVISE QUE LAS LLANTAS ESTEN BIEN INFLADAS

3. Antes de cada uso, revise que las llantas estén bien infladas. No infle más allá de la presión máxima recomendada.

PRECAUCION: NO INFLE las llantas más allá de la presión máxima recomendada que aparece impresa en el costado de la llanta.

LIMPIEZA

4. Lave el interior de la tolva y el exterior del esparcidor y seque bien antes de guardar la unidad.

LUBRICACION (Vea la figura 14)

5. Aplique una capa ligera de grasa para automóvil, según sea necesario, en la rueda dentada y el engranaje.
6. Aceite los bujes de nylon en el eje vertical de la rueda dentada y en el eje de las ruedas, por lo menos una vez al año, o con más frecuencia si es necesario.
7. Aceite el cojinete de la rueda derecha (engranaje libre), por lo menos una vez al año o con más frecuencia según sea necesario.

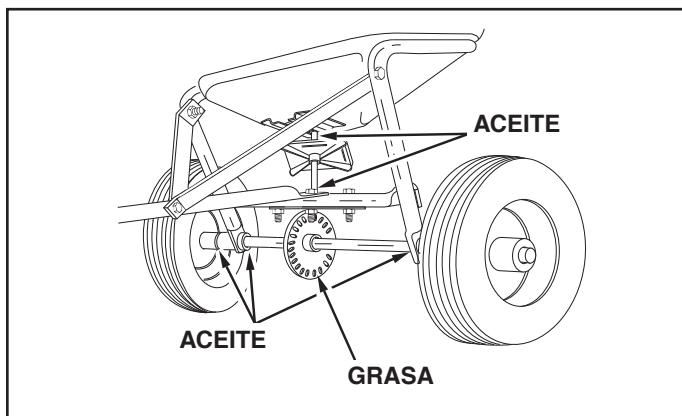


FIGURA 14

ALMACENAMIENTO

1. Lave el interior de la tolva y el exterior del esparcidor y séquelos bien antes de guardar la unidad.
2. Almacénela en un área limpia y seca.

SERVICIO Y AJUSTES

1. Si el conjunto de eje, engranaje ranurado y rueda dentada se va a desarmar, marque las posiciones de las partes a medida que las va removiendo. Las posiciones de la rueda de la transmisión y de la rueda dentada, en relación con el engranaje ranurado, determinan la dirección en que girará la placa del esparcidor. Asegúrese de volverlos a ensamblar en su posición original. (Refiérase a la figura 4 en la página 5). Use arandelas de calza (Ref. No. 21 en páginas 18 y 19) según sea necesario, para que el retroceso sea mínimo. Agregue grasa al engranaje y a la rueda dentada.
2. El alambre agitador se puede reemplazar si se gasta o se daña. Vea la figura 15.

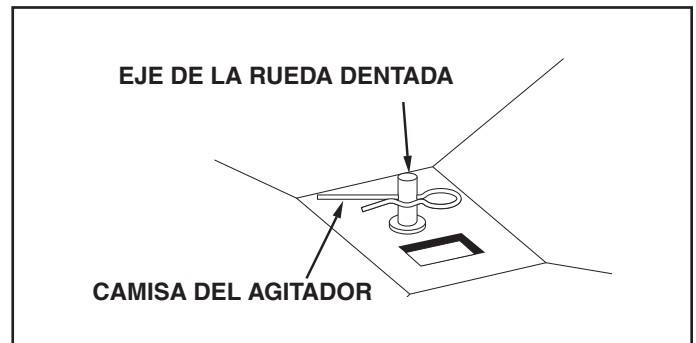


FIGURA 15

CONSIGNES DE SÉCURITÉ

Tout appareil mécanique risque de provoquer des blessures si ce dernier n'est pas utilisé correctement ou si l'utilisateur ne sait pas comment l'utiliser. Faites preuve de prudence à tout moment lorsque vous utilisez un appareil mécanique.

- Lisez cette notice d'utilisation et les consignes de sécurité avant de tenter d'assembler ou d'utiliser la remorque. Veillez à bien connaître le fonctionnement du tracteur avant d'atteler la remorque à l'épandeur.
- Lisez les instructions du produit chimique et les consignes de sécurité afin de manipuler et répandre les produits chimiques achetés afin d'être utilisés avec l'épandeur.
- Portez des lunettes de protection et des gants lorsque vous manipulez et utilisez des produits chimiques pour jardins et gazons.
- Ne jamais conduire le tracteur et l'épandeur sans porter des chaussures adéquates. Ne transportez jamais personne sur l'attelage de l'épandeur.
- Ne laissez jamais d'enfants utiliser le tracteur ni la remorque et ne laissez aucun adulte utiliser le tracteur ni la remorque sans lui avoir fourni auparavant les instructions adéquates.
- Commencez toujours en veillant à ce que le levier de la transmission se trouve en première vitesse (réglage bas sur "low") et augmentez petit à petit votre vitesse si les conditions le permettent. Vitesse de remorquage maximum: 6 m.p.h. (10 km/h).
- Tractez la remorque à basse vitesse sur terrain accidenté, toute pente ou à proximité de tout ruisseau ou fossé afin d'éviter qu'elle ne se renverse en cas de perte de contrôle du tracteur et de l'épandeur.
- Avant d'utiliser le véhicule sur toute inclinaison (pente), reportez-vous aux consignes de sécurité de la notice d'utilisation concernant la conduite du véhicule sur toute pente ou colline. Demeurez à l'écart de toute pente forte!
- Veuillez suivre les instructions d'entretien et de lubrification figurant dans cette notice.



CE SYMBOLE ATTIRE L'ATTENTION SUR DES MESURES DE SÉCURITÉ IMPORTANTES. IL SIGNIFIE : ATTENTION! DEMEUREZ VIGILANT! VOTRE SÉCURITÉ EN DÉPEND.

INSTRUCTIONS DE MONTAGE

OUTILS NÉCESSAIRES POUR L'ASSEMBLAGE

- (1) Pincés
- (2) Clés de 7/16 po.
- (1) Marteau

Retirez l'épandeur, les pièces et le matériel de fixation du carton. Étalez toutes les pièces et le matériel et reportez-vous aux illustrations des pages 2 et 3 afin d'identifier toutes les pièces.

REMARQUE : La droite et la gauche sont définies à partir de la position de l'opérateur lorsqu'il est assis sur le tracteur.

REMARQUE : Se reporter aux plans d'ensemble des pages 4 à 7.

1. Placez l'épandeur à l'envers comme illustré au niveau du dessin No.1 afin qu'il repose sur la trémie.
2. Fixez les deux entretoises d'attelage à l'intérieur du cadre de la trémie en utilisant le boulon hex. po. (A) et le contre-écrou hex. (D) de chaque côté. **NE PAS SERRER POUR L'INSTANT.** Voir la figure 2.
3. Retirez le contre-écrou du boulon central situé dans le tube de raccordement et la plaque de support de l'axe. Laissez le boulon en place. Voir la figure 2.
4. Montez le tube d'attelage sur le boulon central et fixez-le avec le contre-écrou que vous venez de retirer. **NE PAS SERRER POUR L'INSTANT.** Voir la figure 2.

IMPORTANT: Le tube d'attelage doit venir se fixer sur le côté du tube de raccordement en face de la plaque de support de l'axe.

5. Montez les deux entretoises d'attelage sur le tube d'attelage en utilisant un boulon hex. (A) et un contre-écrou hex. (D). Ne serrez pas pour l'instant. Voir figure 2.
6. **Serrez** les écrous et les boulons retenant les entretoises d'attelage au cadre de la trémie et au tube d'attelage, puis serrez le contre-écrou central afin de fixer le tube d'attelage au tube de raccordement. **VEILLES À NE PAS PLIER OU ENDOMMAGER LE TUBE LORSQUE VOUS SERREZ LES BOULONS ET LES ÉCROUS.**
7. Choisissez l'extrémité de l'essieu qui ne comporte pas de petit trou. Montez un tube d'espacement (L), une rondelle plate de 5/8 po. (G), une roue (avec la valve vers l'extérieur) et une autre rondelle plate de 5/8 po. (G) sur l'extrémité de l'essieu. Voir l'illustration 3.
8. Montez un cache-moyeu (Q) sur l'extrémité de l'essieu en utilisant un marteau afin de taper légèrement jusqu'à ce que le cache-moyeu se trouve contre la roue. Voir l'illustration 3.
9. Choisissez l'extrémité de l'essieu qui comporte le petit trou en croix. Montez un tube d'espacement (L), une petite rondelle plate de 5/8 po. (G), une roue (avec la valve vers l'extérieur) et une autre rondelle plate de 5/8 po. (G) sur l'extrémité de l'essieu. Insérez la goupille-épingle de 5/32 x 2 po. (I) dans le cache-moyeu et dans l'essieu, puis écarter les extrémités de la goupille. Voir l'illustration 4.
10. Montez un cache-moyeu (Q) sur l'extrémité de l'essieu en utilisant un marteau afin de taper légèrement jusqu'à ce que le cache-moyeu se trouve contre la roue. Voir l'illustration 4.

11. Placez l'épandeur debout sur ses roues.
12. Fixez le support d'attelage sur le dessus du tube d'attelage en utilisant deux boulons hex. de 1/4 x 1 po. (B) et deux écrous à frein élastique (D). Voir l'illustration 5.
13. Insérez la goupille d'attelage (K) dans le support d'attelage et dans le tube d'attelage puis fixez l'ensemble avec une goupille-épingle (J). Voir l'illustration 5.
14. Montez la biellette de contrôle de débit (O) (l'extrémité comportant le petit trou en croix) sur le bras de contrôle de débit en utilisant un boulon hex. de 1/4 x 1 po. (B), une rondelle en nylon (E) et un écrou à frein élastique (D). Serrez avec précaution. La biellette de contrôle de débit devrait demeurer desserrée mais devrait pouvoir pivoter sans trop de résistance.
15. Fixez le bras de contrôle de débit au support de montage de contrôle de débit en utilisant un boulon hex. (B), deux rondelles en nylon (E) et un contre-écrou (D). **Serrez avec précaution.** Le bras de contrôle de débit devrait être serré mais devrait pouvoir pivoter sans trop de résistance. Voir la figure 7.
16. Montez la poignée en vinyle (P) sur le bras de contrôle de débit. Voir la figure 7.
17. Placez une rondelle plate (F) sur l'autre extrémité de la bielle de contrôle du débit. Introduisez l'extrémité de la bielle dans la fente courbée du support de montage du contrôle du débit puis dans le trou de la biellette de contrôle du débit. Fixez les pièces en utilisant une goupille-épingle (H). Voir la figure 8.
18. Accrochez le bout plié de la bielle de contrôle du débit dans le trou de la fixation de la plaque coulissante située à proximité du fond de la trémie. Voir figure 9.
19. Montez le support de contrôle de débit sur le tube d'attelage en utilisant deux boulons hex. (A), quatre rondelles plates (F) et deux contre-écrous hex. (D) comme illustré à la figure 10. **Ne serrez pas pour l'instant.**
20. Placez la butée réglable (N) sur l'extrémité «ON» (marche) de la fente qui est située sur le dessus du support de montage du mécanisme de contrôle de débit. Fixez la pièce en utilisant un boulon de carrosserie (C), une rondelle en nylon (E), une rondelle plate (F) et l'écrou à oreilles en nylon (M). Voir figure 11.
21. Positionnez le support de montage du contrôle de débit (figure 12).
 - a. Poussez le bras de contrôle de débit jusqu'à ce qu'il se bloque sur « OFF » (arrêt).
 - b. Glissez le support de montage du mécanisme de contrôle de débit le long du tube jusqu'à ce que la plaque de débit du fond de la trémie se ferme.
 - c. Serrez les contre-écrous juste assez afin qu'ils retiennent le support de montage du mécanisme de contrôle de débit.
 - d. Réglez la butée réglable sur « 5 ». Tirez sur le bras de contrôle de débit afin qu'il se trouve contre la butée. Assurez-vous que la plaque de débit se soit ouverte à moitié.
 - e. Si la plaque de débit ne s'ouvre pas à moitié, elle risque d'être fermée trop loin sur « OFF ». Réglez la position du support de montage du mécanisme de contrôle de débit de façon à ce que la plaque de débit s'ouvre environ à moitié à « 5 » et ensuite puisse se fermer lorsque le bras est réglé sur « OFF » (arrêt). Serrez les contre-écrous.

UTILISATION

COMMENT UTILISER VOTRE ÉPANDEUR AÉRATEUR RÉGLAGE DU DÉBIT

(Reportez-vous à la figure 12 de la page 7)

1. Desserrez l'écrou à oreilles en nylon et réglez-la butée réglable sur le débit désiré et resserrez l'écrou à oreilles. Plus le réglage est haut, et plus l'ouverture au fond de la trémie sera large.
2. Reportez-vous au tableau de la page 16 et aux instructions figurant sur l'emballage de l'engrais afin de déterminer le réglage du débit.
3. Tirez le bras de contrôle de débit contre la butée réglable pour la position « ON » (marche) et vers la trémie pour la position « OFF » (arrêt).

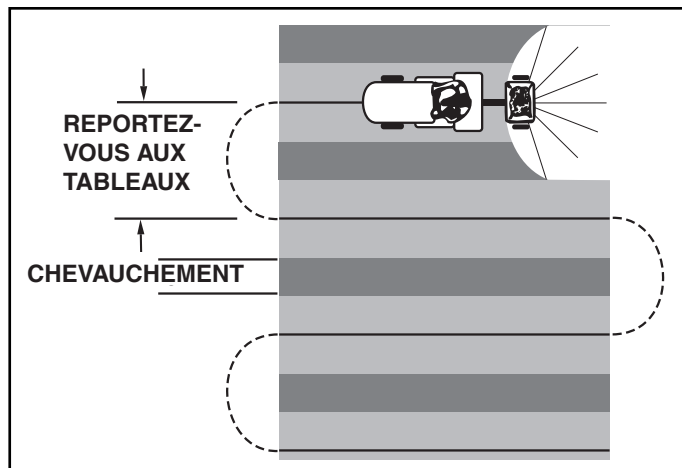


FIGURE 15

UTILISATION DE L'ÉPANDEUR-AÉRATEUR

Il est déconseillé d'utiliser des engrais chimiques en poudre car ces derniers sont difficiles à répartir uniformément avec l'épandeur.

1. Déterminez la superficie approximative en pieds carrés (ou mètres carrés) devant être traitée et jugez la quantité d'engrais ou de graines nécessaire.
2. Avant de remplir la trémie, assurez-vous que le bras de contrôle de débit se trouve sur la position « OFF » (arrêt) et que la plaque de débit est fermée.
3. Faites en sortes que le produit ne fasse pas de grosses boules au fur et à mesure que vous remplissez la trémie.
4. Réglez la butée réglable tout en gardant le bras de contrôle du débit sur la position « OFF » (arrêt). Reportez-vous au tableau de cette page et aux instructions figurant sur l'emballage de l'engrais afin de déterminer le réglage du débit.
5. Les données du tableau des débits ont été calculées pour un débit faible à fort à une vitesse de tractage de 3 m.p.h. (4,8 km/h) soit 30 mètres en 23 secondes. Vous devrez corriger le débit si vous changez de vitesse afin de couvrir le terrain que vous désirez. Plus vous circulez vite et plus la portée de l'épandeur sera large.
6. Veillez à ce que le tracteur soit en train de rouler avant d'ouvrir la plaque de débit.
7. Assurez-vous que la plaque de débit est fermée avant d'arrêter ou d'effectuer un tournant avec le tracteur.
8. Si vous venez accidentellement d'appliquer trop d'engrais sur un espace réduit, aspergez abondamment cet endroit à l'aide d'un tuyau d'arrosage afin d'éviter que la surface ne brûle.
9. Pour une couverture optimale et afin d'éviter de manquer des zones ou de laisser des traces de passages, chevauchez les traces précédentes comme illustré à la figure 13. Les portées approximatives des différentes matières sont indiquées dans le tableau des débits de cette page.
10. Faites attention lorsque vous utilisez l'épandeur avec des herbicides et désherbants et veillez à ce que ces produits ne touchent pas les buissons, les fleurs, etc.
11. En présence de conditions très humides, la trémie devra être équipée d'un couvercle afin de protéger son contenu de l'humidité. Le cache de protection en vinyle (disponible en option comme accessoire), sert à protéger l'épandeur du vent et de l'humidité mais ne doit pas être utilisé en tant que couvercle de protection contre la pluie. Reportez-vous à la liste des pièces de la page 19.

IMPORTANT: Les débits indiqués dans le tableau sont affectés par l'humidité et par le type de matière que vous comptez répandre (granulés et agglomérés). Certains réglages mineurs risquent d'être nécessaires afin de compenser le problème.

TABLEAU DES DÉBITS

RÉGLAGE MATIÈRE	LARGEUR DU DÉBIT	ET PORTÉE
<i>ENGRAIS</i>		
Poudre	3 - 5	3' - 4' (0.9 - 1.2 m)
Granulés	3 - 5	8' - 10' (2.4 - 3 m)
Agglomérés	3 - 5	10' - 12' (3 - 3.6 m)
Organique	6 - 8	6' - 8' (1.8 - 2.4 m)
<i>GRAINES DE GAZON</i>		
Fines	3 - 4	6' - 7' (1.8 - 2.1 m)
Grosses	4 - 5	8' - 9' (2.4 - 2.7 m)
<i>SEL DE DÉGLAÇAGE</i>	6 - 8	10' - 12' (3 - 3.6 m)

VITESSE D'APPLICATION: 3 m.p.h. (4,8 km/h) soit 30 mètres en 23 secondes.

ENTRETIEN ET MAINTENANCE

VÉRIFIER QUE LA VISSERIE N'EST PAS DESSERRÉE

1. Avant toute utilisation, vérifiez attentivement que les boulons et les écrous de l'épandeur ne sont pas desserrés. Serrez tout boulon ou écrou desserré.

VÉRIFIER QUE LES PIÈCES NE SONT PAS USÉES OU ENDOMMAGÉES

2. Vérifiez que les pièces ne sont pas usées ou endommagées avant chaque utilisation. Réparez ou remplacez la pièce si nécessaire.

VÉRIFIER L'ÉTAT DES PNEUS

3. Vérifiez que les pneus sont correctement gonflés avant chaque utilisation. Ne gonflez pas les pneus au-delà de la pression maximum recommandée.



ATTENTION: NE PAS gonfler les pneus au-delà de la pression maximum recommandée figurant sur le flanc du pneu.

NETTOYAGE

4. Rincez l'intérieur de la trémie et l'extérieur de l'épandeur et séchez le tout avant de le ranger.

LUBRIFICATION (voir figure 14)

5. Appliquez un peu de graisse pour automobiles sur la couronne et l'engrenage si nécessaire.
6. Huilez les fourrures en nylon de l'arbre vertical de la couronne ainsi que l'essieu au moins une fois par an ou plus souvent si nécessaire.
7. Huilez le roulement droit (baladeur) au moins une fois par an ou plus souvent si nécessaire.

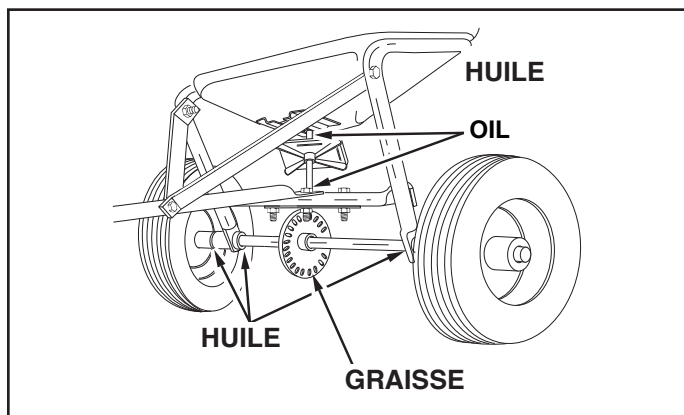


FIGURE 14

REMISAGE

1. Rincez l'intérieur de la trémie et l'extérieur de l'épandeur et séchez le tout avant de le ranger.
2. Rangez et remisez l'épandeur dans un endroit propre et sec.

RÉPARATIONS ET RÉGLAGES

1. Si l'essieu, l'engrenage à fentes et l'ensemble de la couronne sont démontés, indiquez au crayon l'emplacement des pièces au fur et à mesure que vous les retirez. La position de la roue d'entraînement et de la couronne déterminera le sens dans lequel la plaque de l'épandeur tournera. (Reportez-vous à la figure 4 de la page 5). Utilisez les cales (voir réf. 21 des pages 18 et 19) afin d'éviter un jeu trop important. Appliquez la graisse sur l'engrenage et la couronne.
2. Si le fil de battage est endommagé ou usé, il peut être remplacé. Voir figure 15.

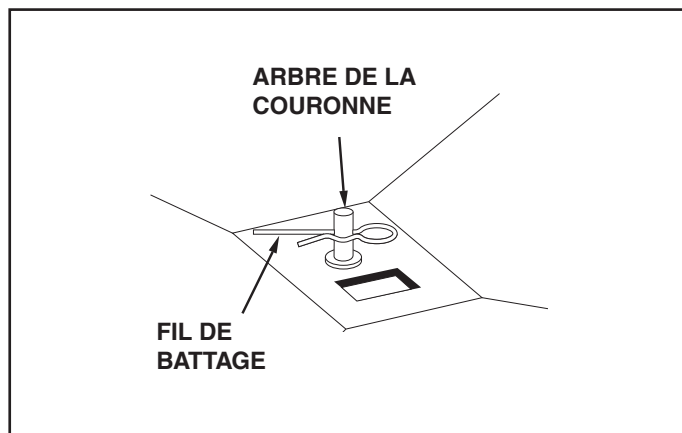
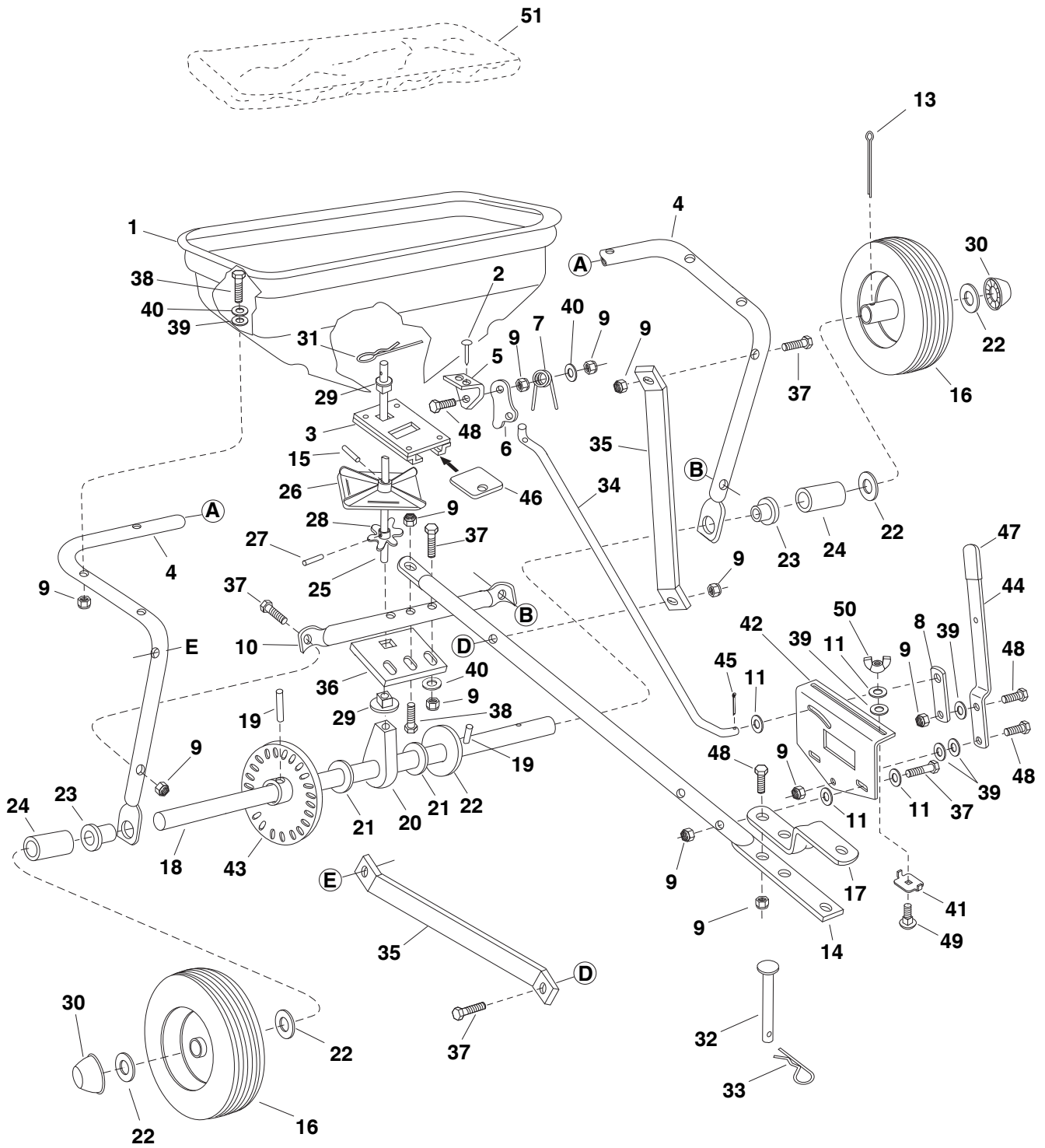


FIGURE 15

REPAIR PARTS FOR BROADCAST SPREADER MODEL 45-02115



REPAIR PARTS FOR BROADCAST SPREADER MODEL 45-02115

REF.	PART NO.	QTY.	DESCRIPTION	REF.	PART NO.	QTY.	DESCRIPTION
1	44466	1	Hopper	27	43850	1	Pin, Spring 1/8" Dia. x 5/8".
2	C-9M5732	2	Rivet, Pop	28	44468	1	Sprocket, 6 Tooth
3	62482	1	Ass'y, Guide Closure	29	44285	2	Bushing, Delrin
4	48842	1	Tube, Frame	30	48499	2	Hub Cap
5	23753	1	Slide Gate Angle Bracket	31	48934	1	Hairpin, Agitator
6	23758	1	Slide Gate Bracket	32	47623	1	Hitch Pin
7	44566	1	Spring, Torsion	33	43343	1	Hair Cotter Pin, 1/8"
8	24857	1	Flow Control Link	34	44469	1	Rod, Flow Control
9	47189	22	Nut, Nylock 1/4-20	35	23525	2	Brace, Hitch
10	48841	1	Tube, Crossover	36	23780	1	Shaft Support Plate
11	R19111116	6	Washer, 5/16 SAE	37	43648	9	Bolt, Hex 1/4-20 x 1-1/2"
13	47063	1	Pin, Cotter 5/32" x 2"	38	1509-69	7	Bolt, Hex 1/4-20 x 1-3/4"
14	44586	1	Tube, Hitch	39	1543-69	10	Washer, Nylon
15	46055	1	Pin, Spring 1/8" Dia. x 1" Lg.	40	43088	10	Washer, Flat 1/4" Std.
16	40880	2	Wheel	41	24858	1	Stop, Adjustable
17	23687	1	Bracket, Hitch	42	24855	1	Bracket, Flow Control Mount
18	25067	1	Shaft, Axle	43	48888	1	Gear, Slotted
19	44665	2	Pin, Spring 5/32" x 1-1/4"	44	24859	1	Flow Control Arm
20	48916	1	Bushing, Axle Shaft	45	44101	1	Cotter Pin 3/32" x 3/4" Lg.*
21	44125	4	Washer, Flat 5/8" x 1"	46	23533	1	Plate, Closure
22	R19212016	5	Washer, Flat 5/8" x 1-1/4"	47	43848	1	Grip, Flow Control Arm
23	741-0249	2	Bearing, Flange	48	43661	5	Bolt, Hex 1/4-20 x 1" Lg. *
24	48857	2	Tube, Spacer	49	44950	1	Bolt, Carriage 1/4-20 x 3/4"x 50
25	25305	1	Shaft, Sprocket	50	47141	1	Wing Nut, Nylon
26	04367	1	Spreader Plate	51	43962	1	Vinyl Cover (Optional)
					41079	1	Owner's Manual

*Purchase common hardware locally.

SpeedEPart *the fastest way to purchase parts* www.speedepart.com

SpeedEPart *the fastest way to purchase parts* www.speedepart.com

REPAIR PARTS

Agri-Fab, Inc.
303 West Raymond
Sullivan, IL. 61951
217-728-8388
www.agri-fab.com

This document (or manual) is protected under the U.S. Copyright Laws and the copyright laws of foreign countries, pursuant to the Universal Copyright Convention and the Berne convention. No part of this document may be reproduced or transmitted in any form or by any means, electronic or mechanical, including photocopying or recording, or by any information storage or retrieval system, without the express written permission of Agri-Fab, Inc. Unauthorized uses and/or reproductions of this manual will subject such unauthorized user to civil and criminal penalties as provided by the United States Copyright Laws.