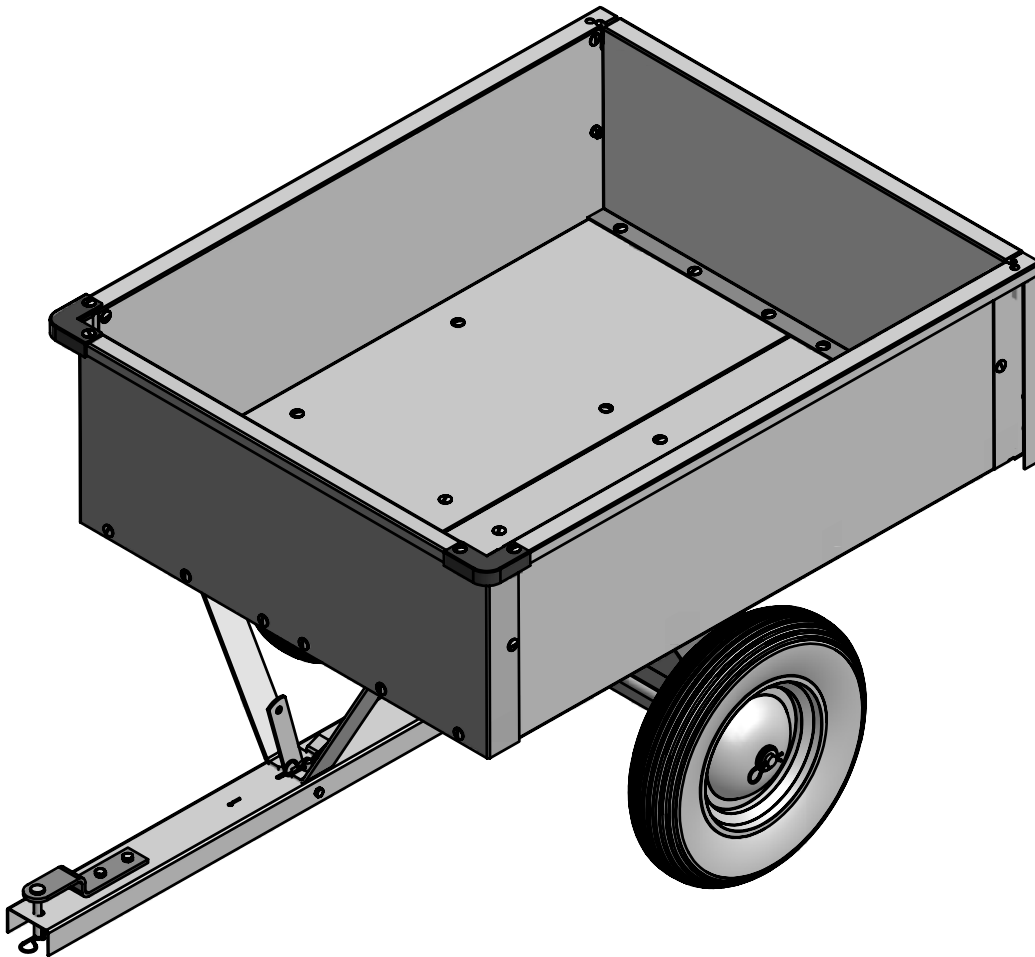
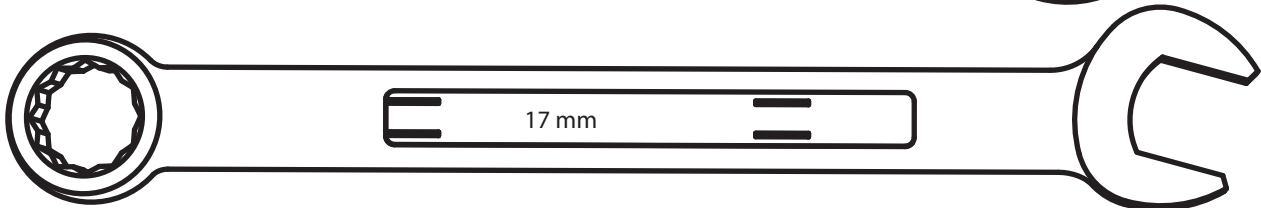
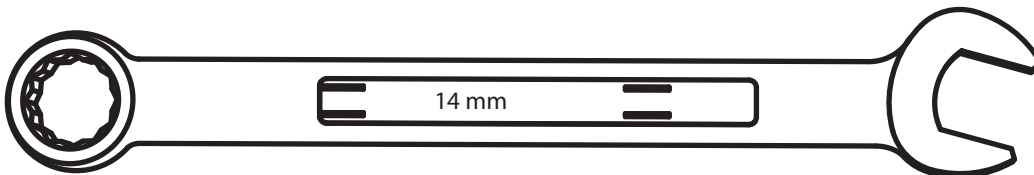
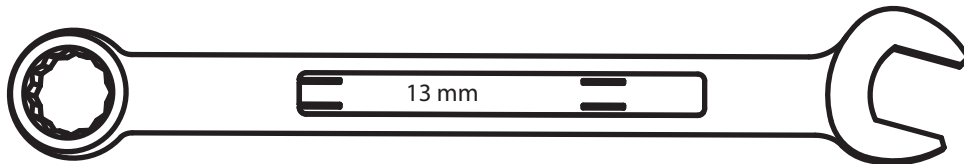
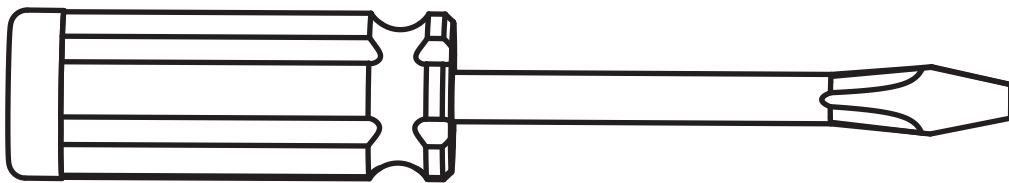
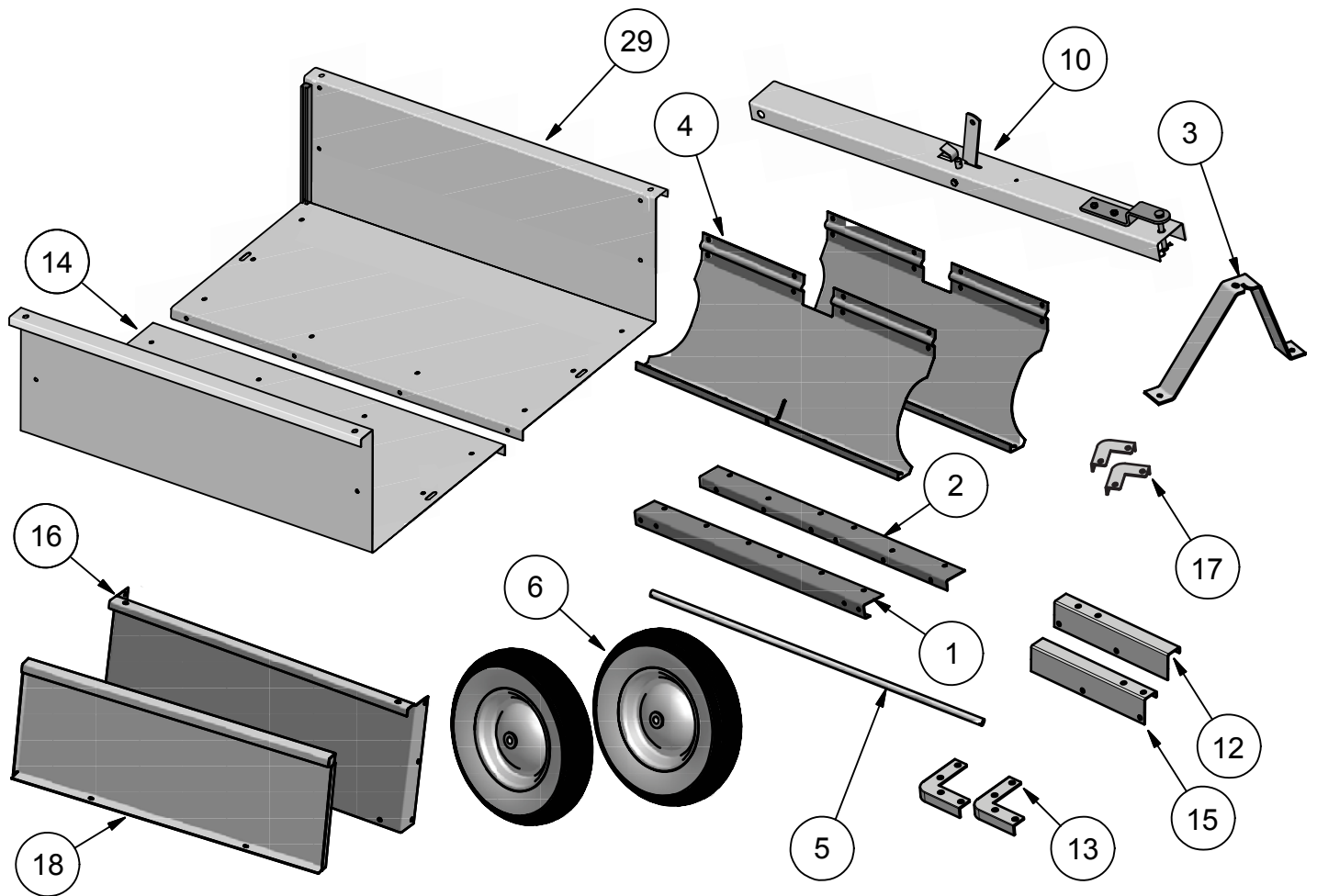
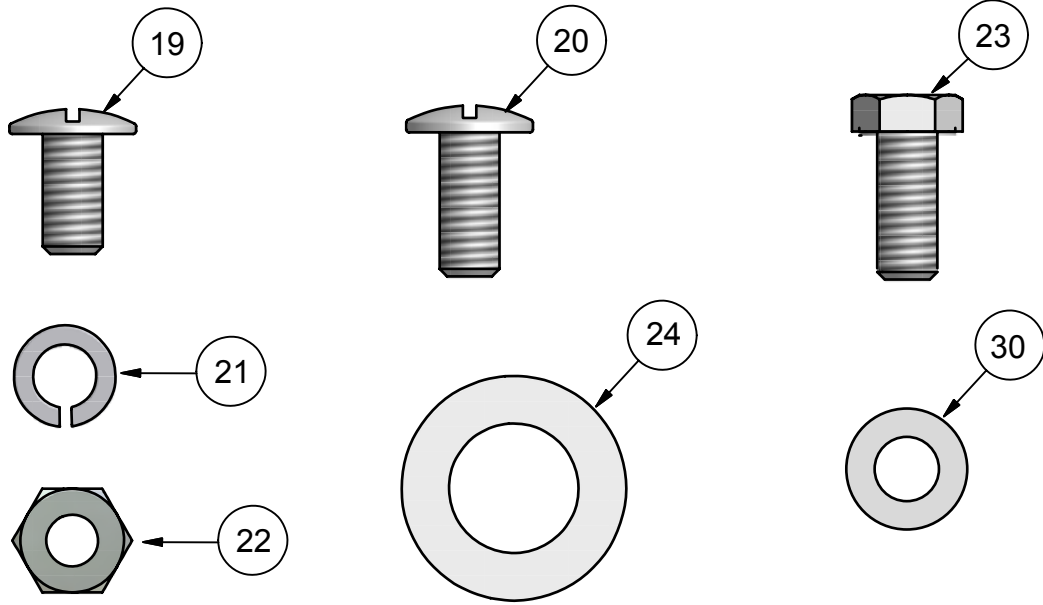


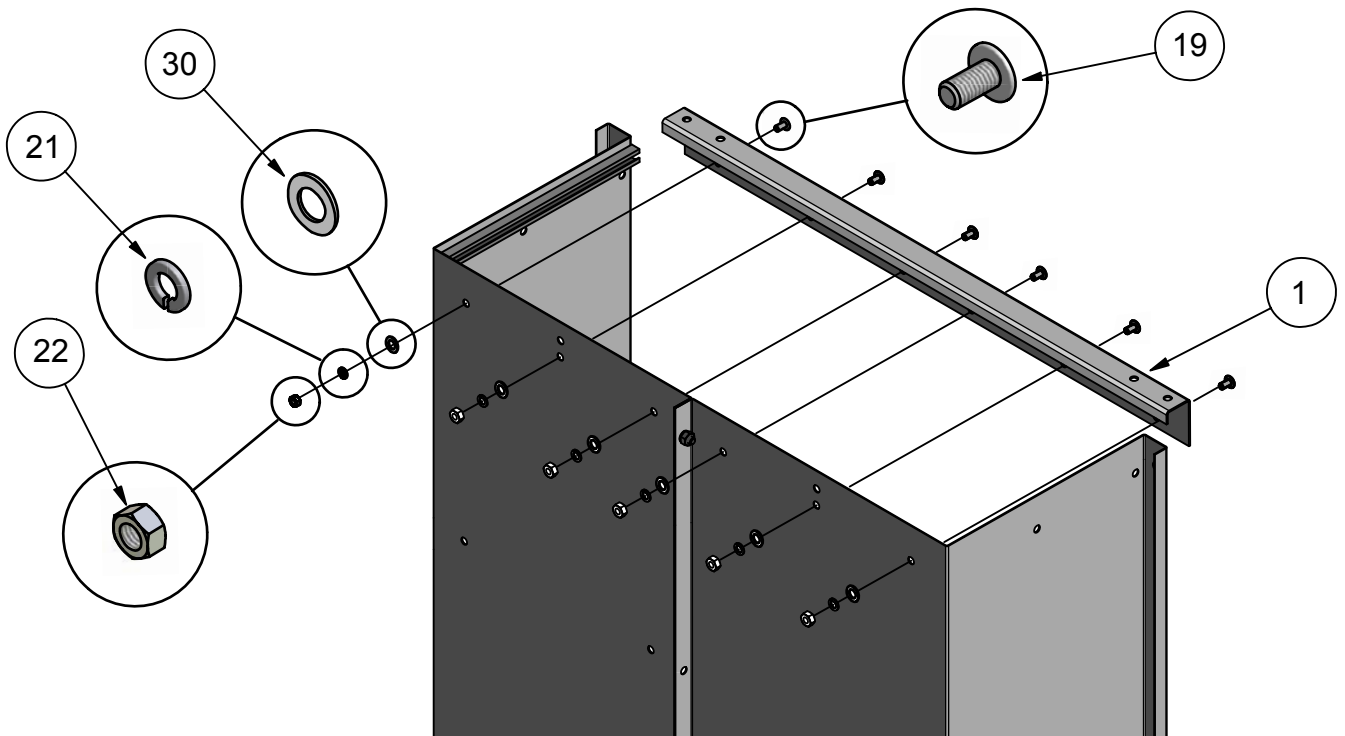
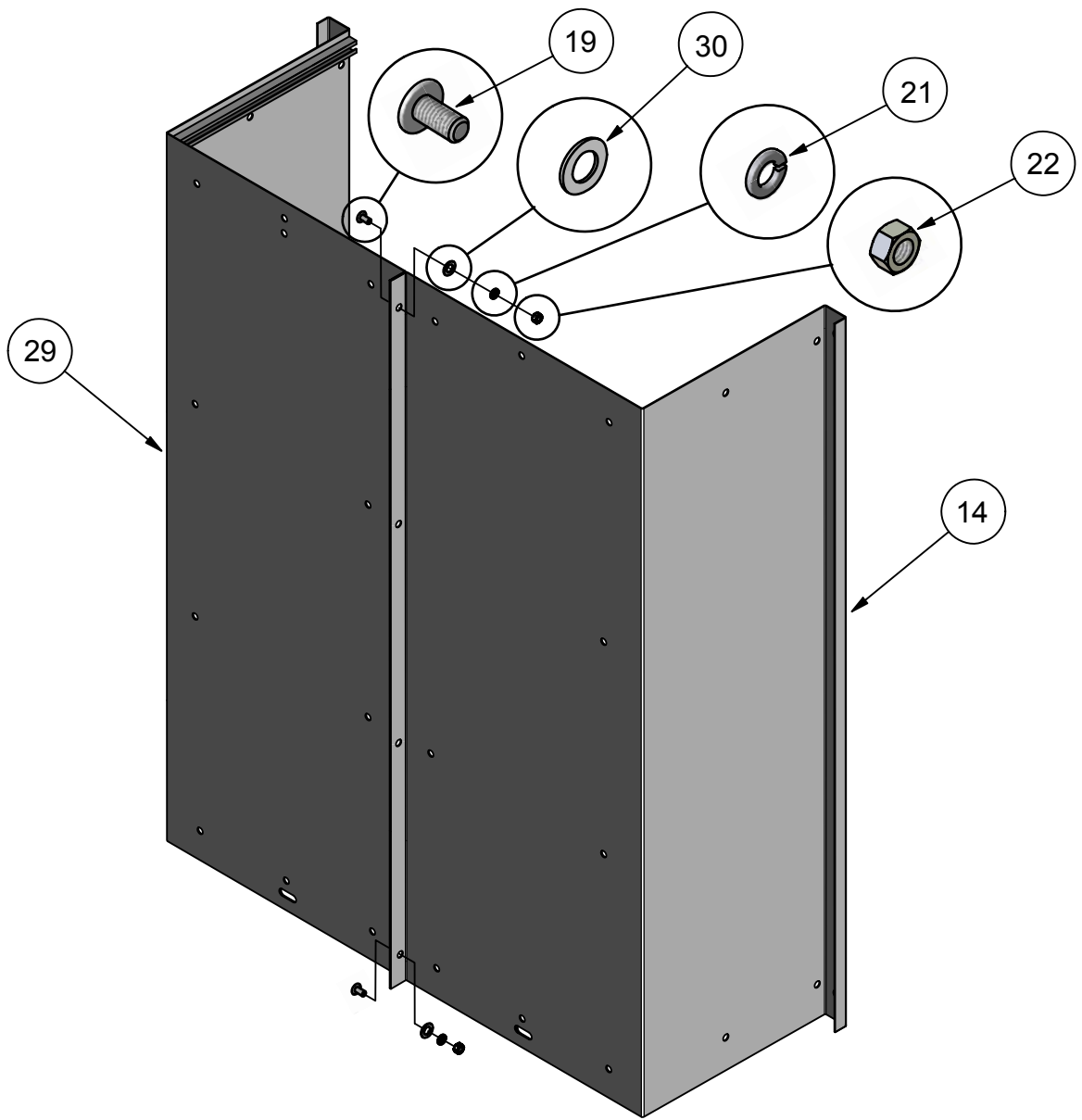
DUMP CART ASSEMBLY INSTRUCTIONS

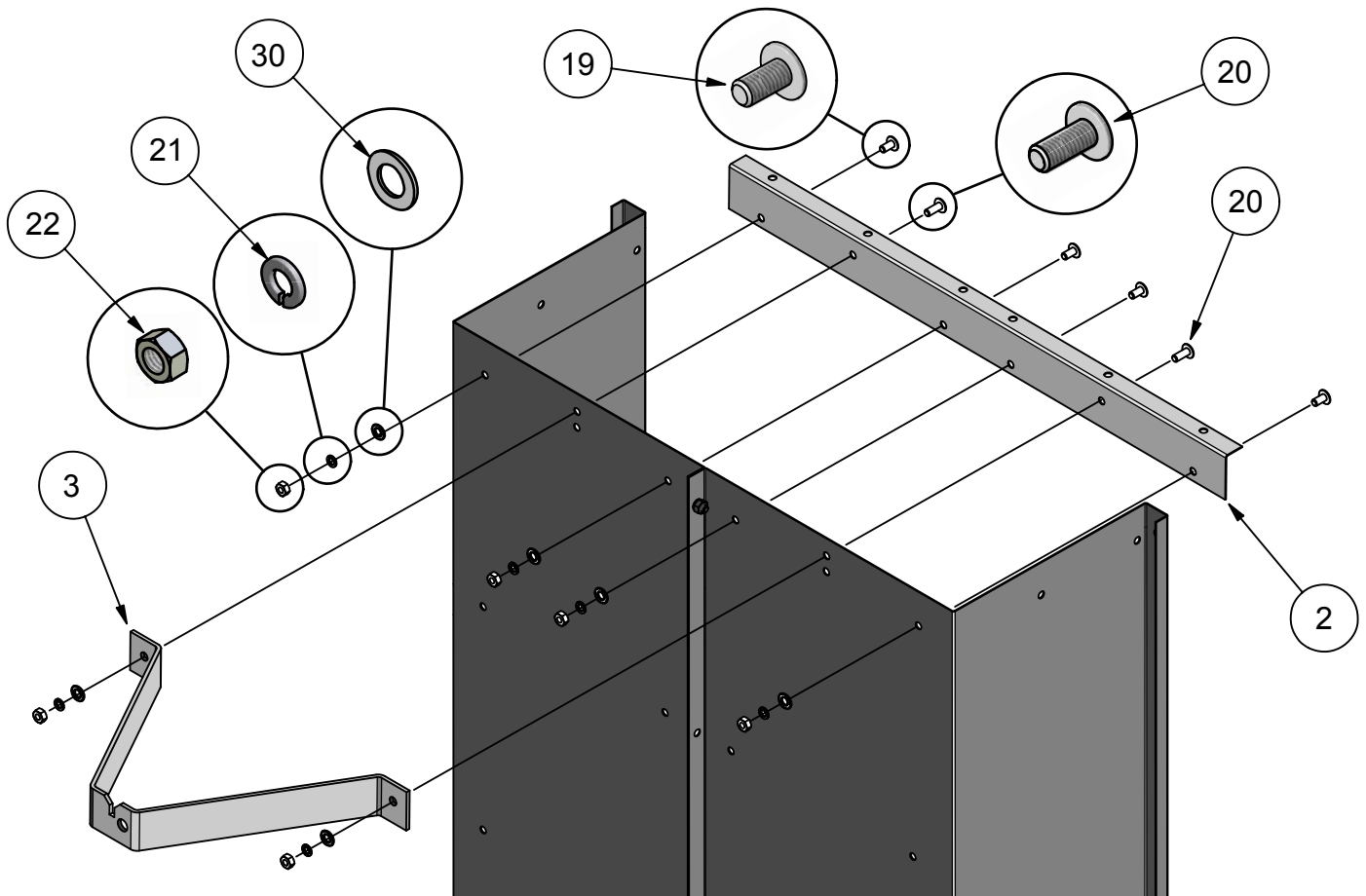
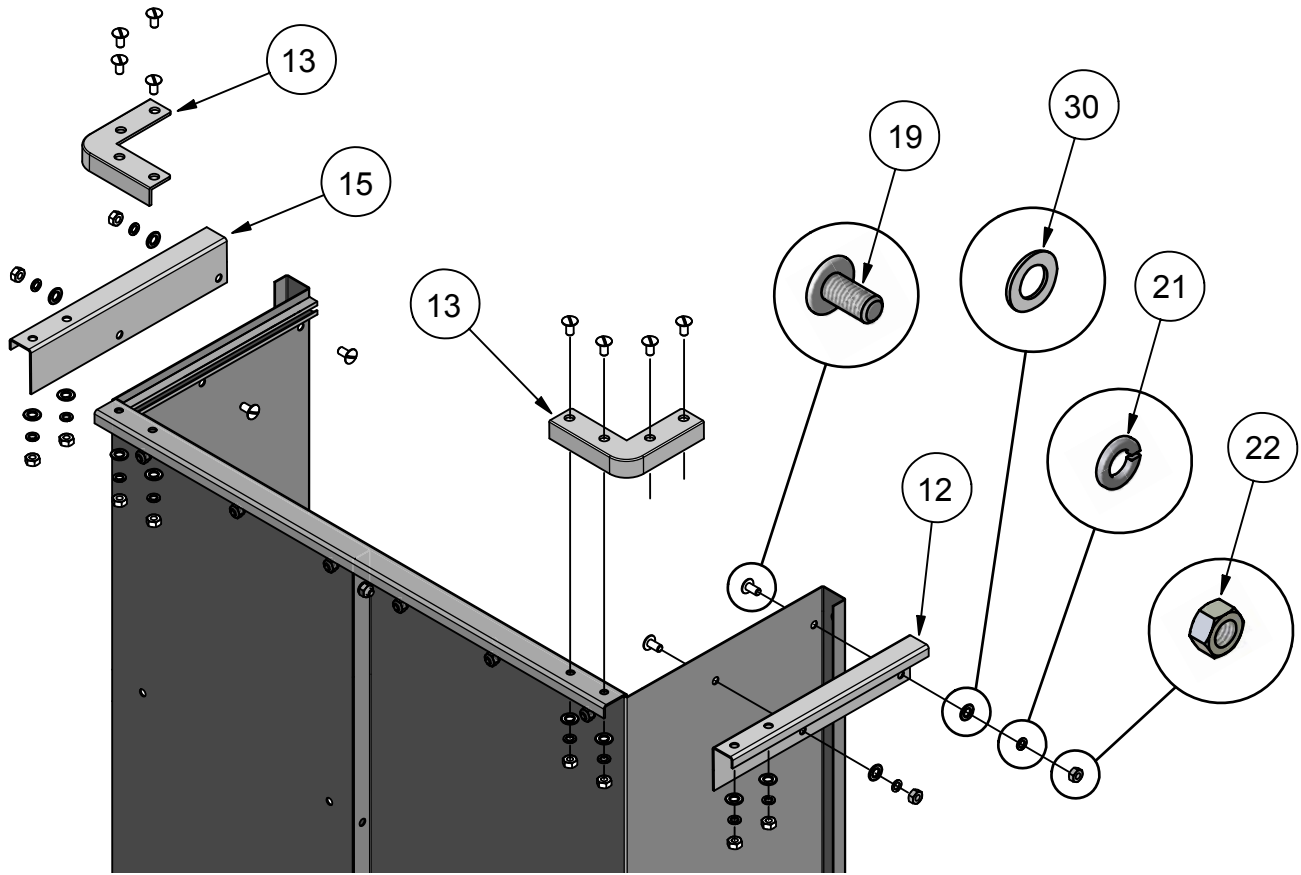
25-0100-999

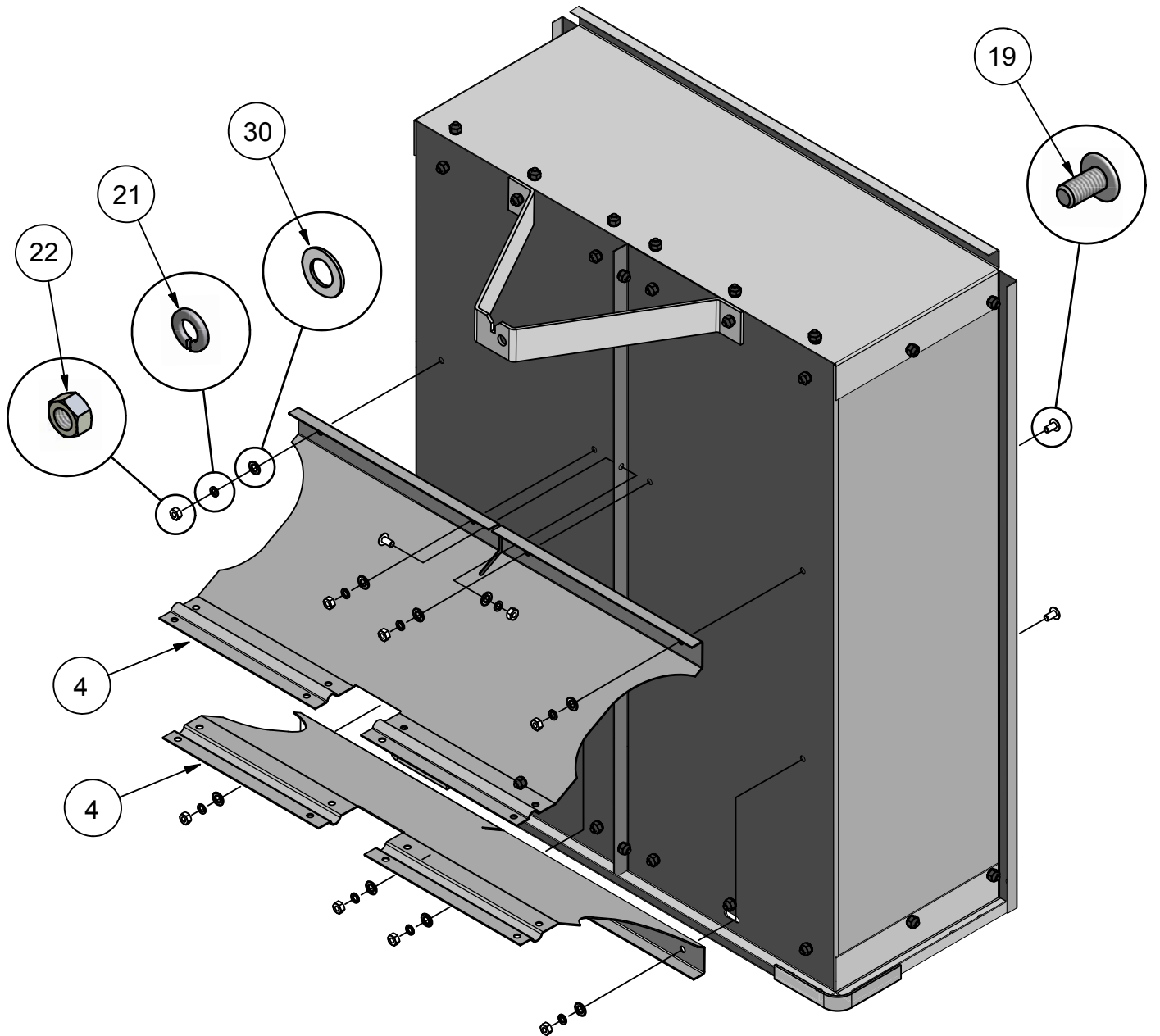
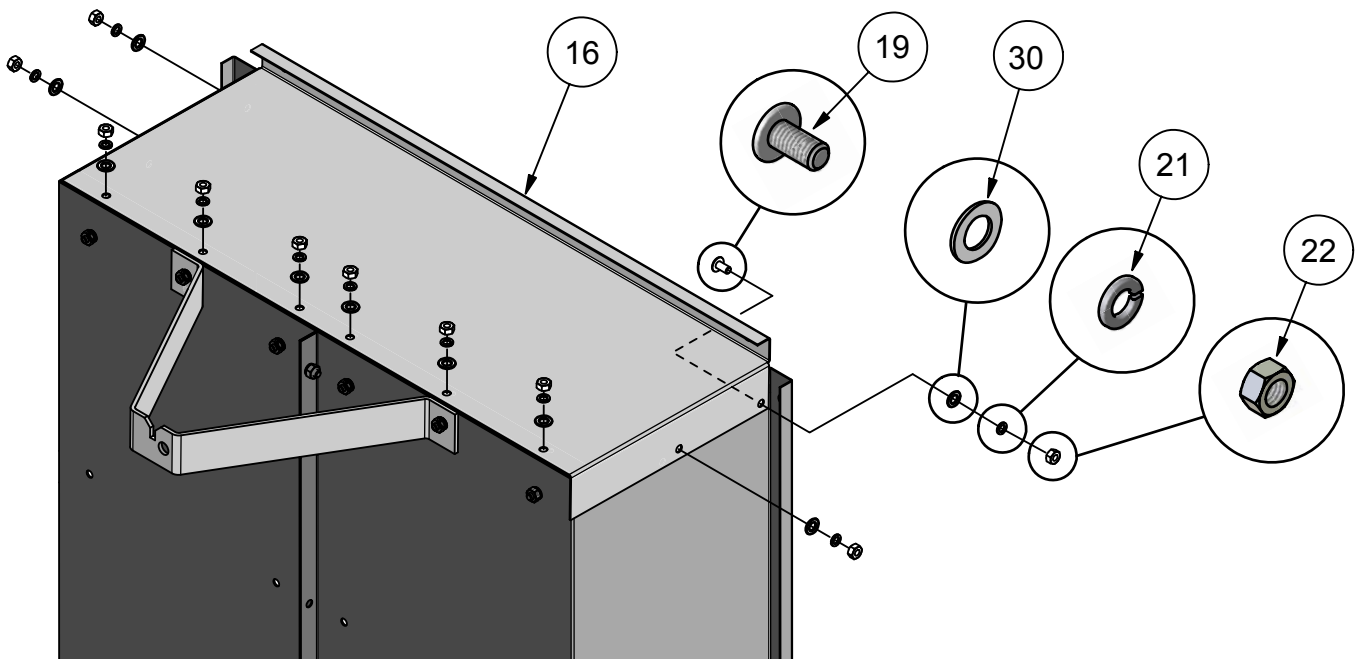


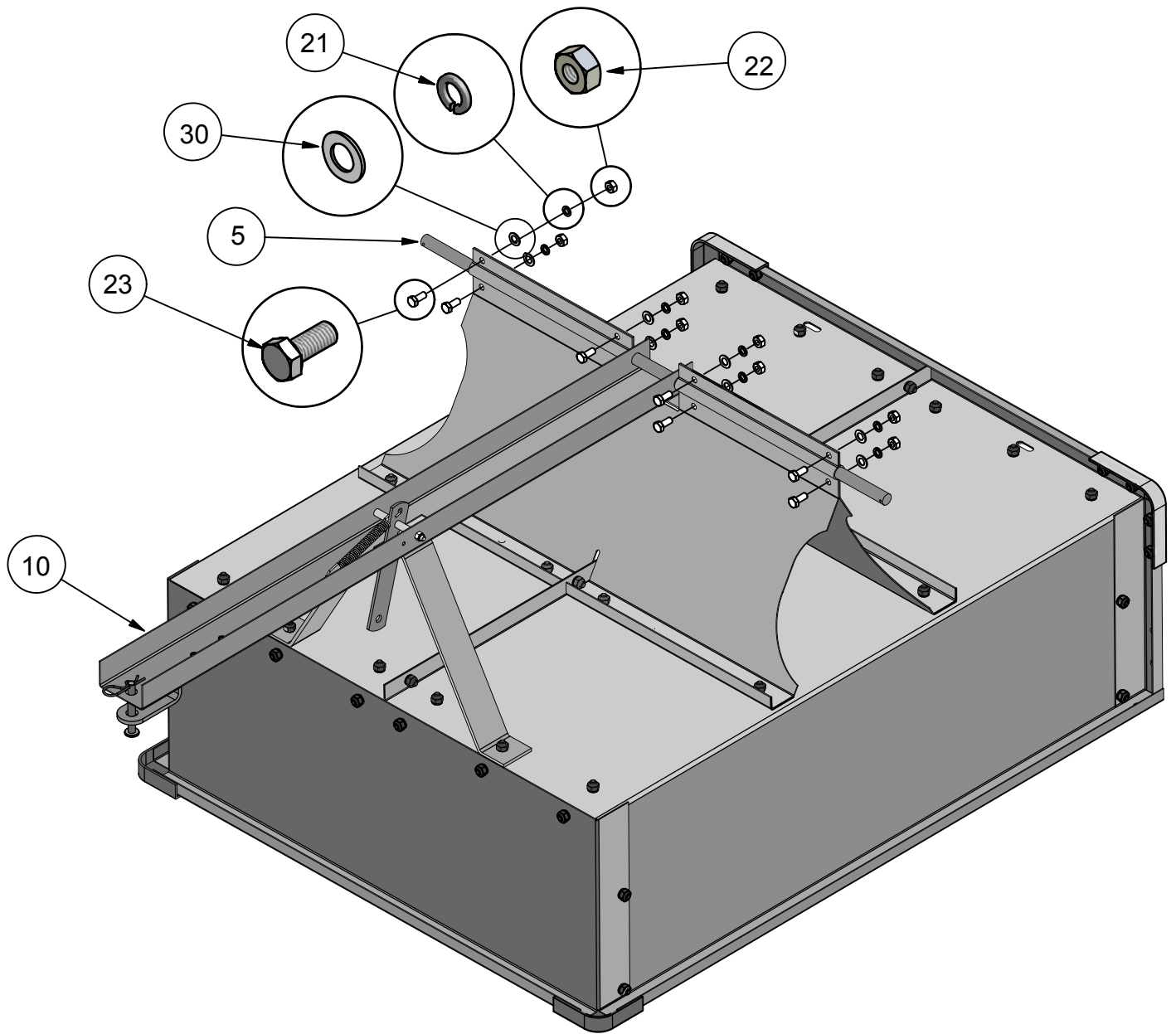


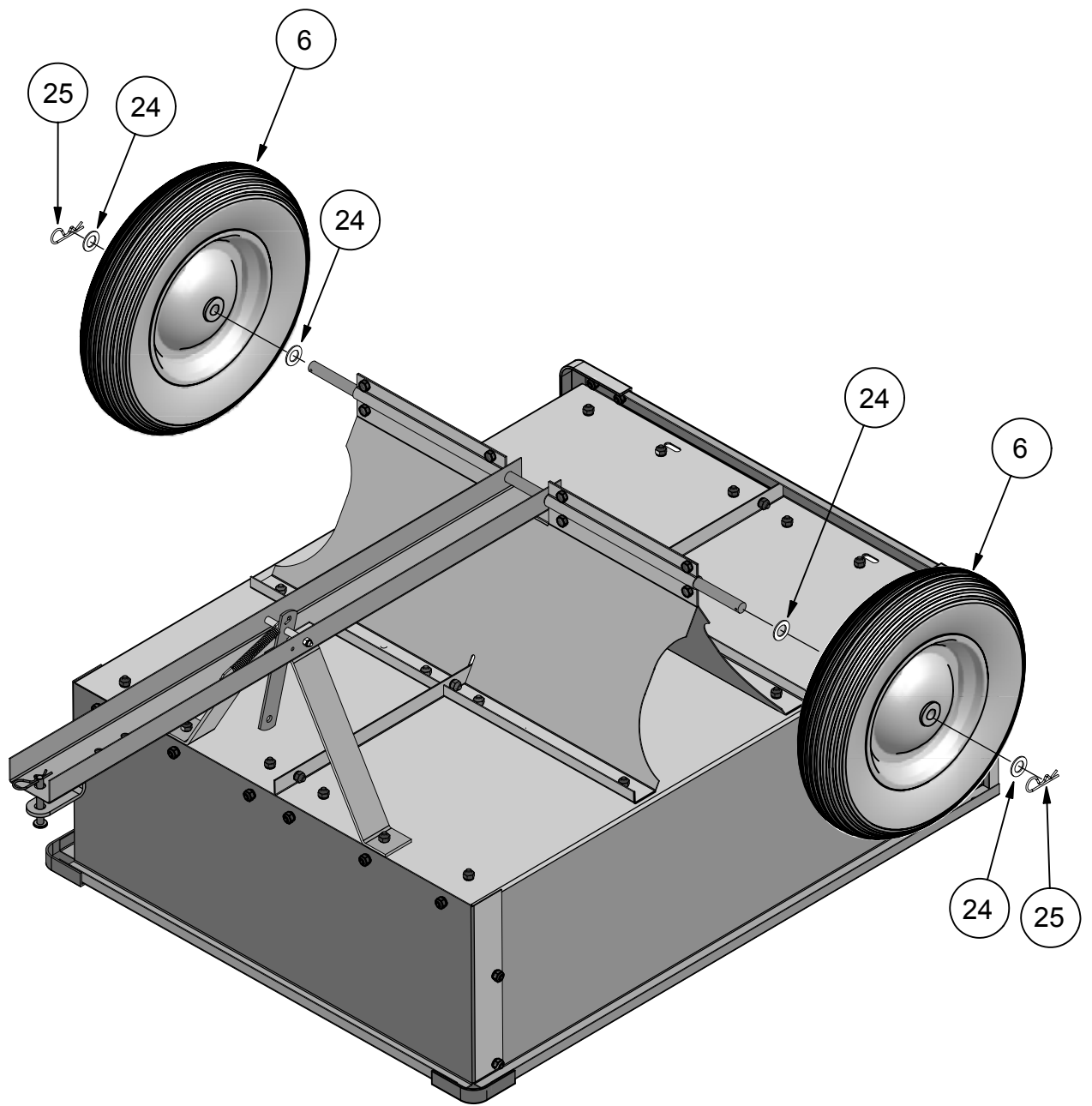


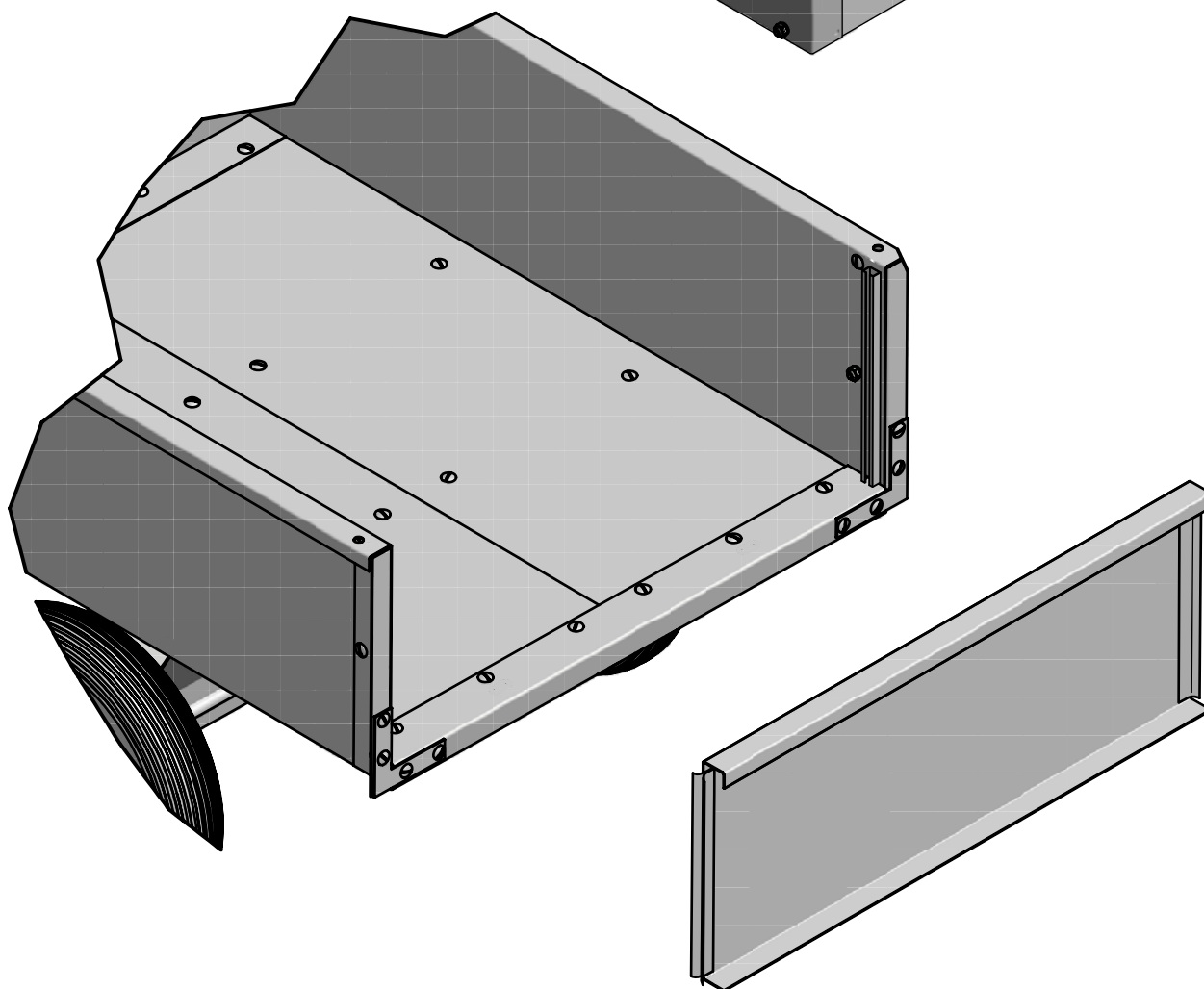
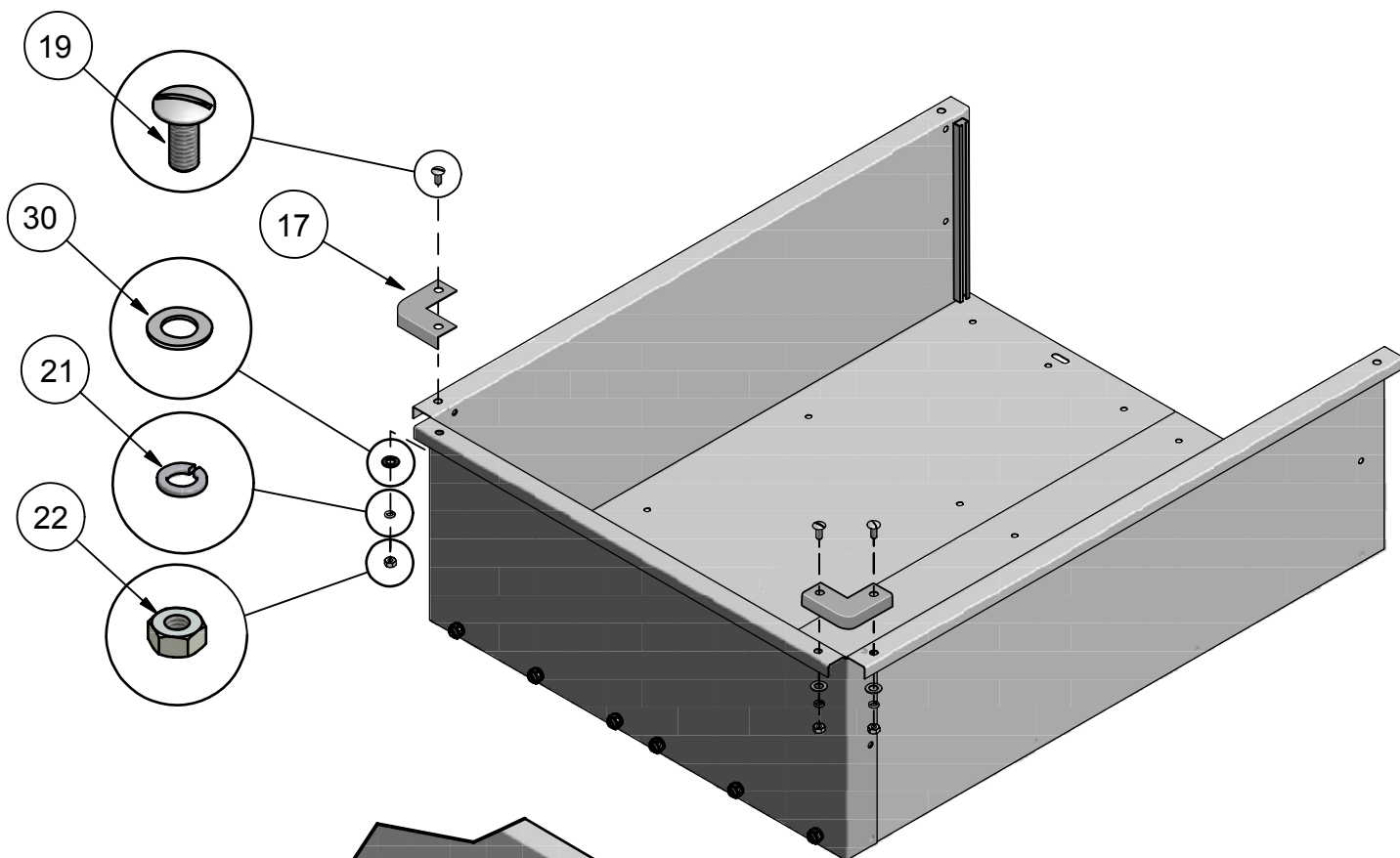


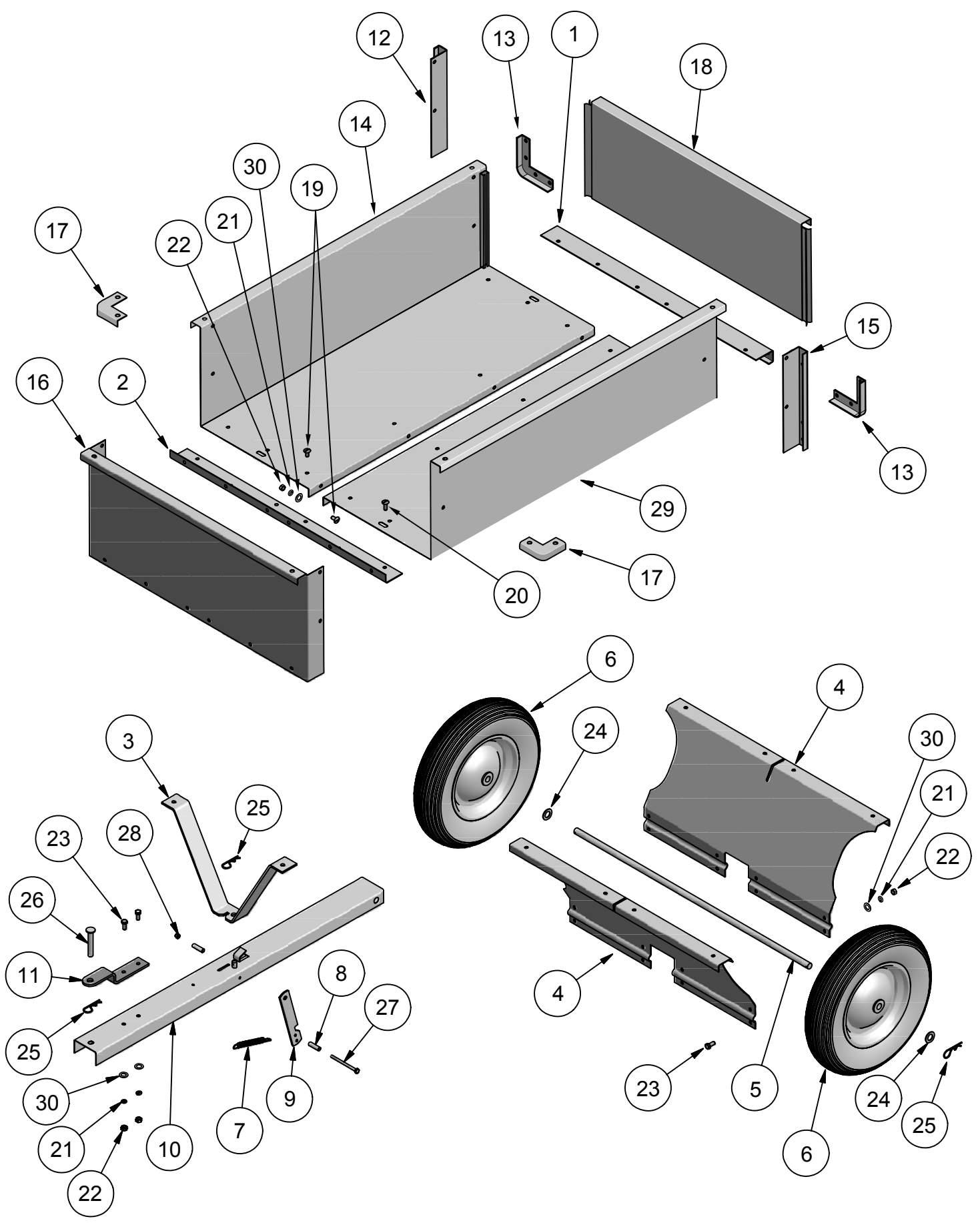












Parts List			
ITEM	QTY	PART NUMBER	DESCRIPTION
1	1	26784	REAR CROSS BRACE
2	1	26777	FRONT CROSS BRACE
3	1	26778	TONGUE SUPPORT
4	2	26779	WHEEL AXLE SUPPORT
5	1	26780	WHEEL AXLE
6	2	42216	WHEEL/TIRE ASSEMBLY
7	1	42217	LATCH SPRING
8	2	42218	LATCH SPACER
9	1	26781	TONGUE LATCH
10	1	26782	HITCH TONGUE
11	1	26783	HITCH PIN BRACKET
12	1	27040	REAR CORNER BRACE, RH
13	2	26785	REAR CORNER BRACKET
14	1	67012	SIDE PANEL, RIGHT HAND
15	1	27041	REAR CORNER BRACE, LH
16	1	27039	FRONT PANEL
17	2	26788	FRONT CORNER BRACE
18	1	66753	TAILGATE
19	48	234B1	M8 X 15 TRUSS HEAD BOLT
20	2	234B2	M8 X 20 TRUSS HEAD BOLT
21	60	234B3	8MM LOCK WASHER
22	60	234B4	8MM HEX NUT
23	10	234B5	M8 X 20 HEX BOLT
24	4	234B6	16MM FLAT WASHER
25	4	234B7	3MM HAIRPIN
26	1	234B8	HITCH PIN
27	1	42227	M10 X 95 HEX BOLT
28	1	42226	10MM NYLOCK NUT
29	1	67011	SIDE PANEL, LEFT HAND
30	60	R19111116	8MM FLAT WASHER

REPAIR PARTS
303 West Raymond
Sullivan, IL 61951
217-728-8388
www.agri-fab.com

This document (or manual) is protected under the U.S. Copyright Laws and the copyright laws of foreign countries, pursuant to the Universal Copyright Convention and the Berne convention. No part of this document may be reproduced or transmitted in any form or by any means, electronic or mechanical, including photocopying or recording, or by any information storage or retrieval system, without the express written permission of Agri-Fab, Inc. Unauthorized uses and/or reproductions of this manual will subject such unauthorized user to civil and criminal penalties as provided by the United States Copyright Laws.