



JOHN DEERE

Product Services Information

INSTALLATION INSTRUCTIONS (Includes English and French)



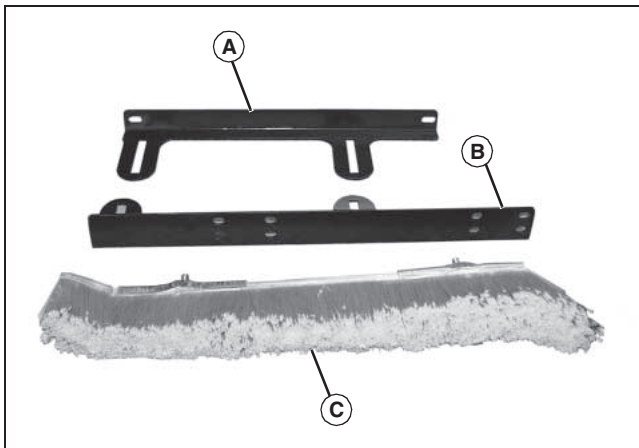
JOHN DEERE

PATTERN MOWING KIT

Compatibility

This kit is compatible with the 42 in. deck on all 100 Series, S240 and X300 Select Series models.

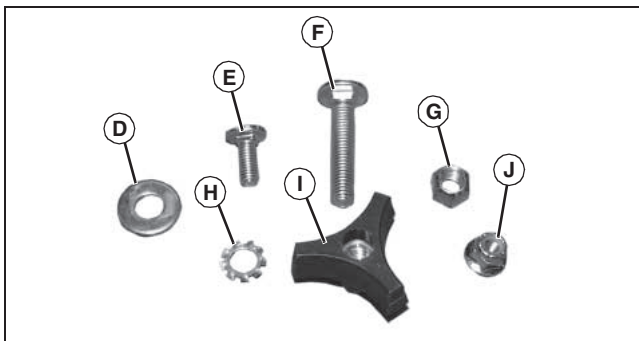
Parts in Kit



MX41746

Qty.	Description
1	Mower Deck Bracket (A)
1	Brush support (B)
2	Brush (C)

Bag of Parts



MX41745

Qty.	Description
2	Washer, Flat, 3/8" (D)
2	Carriage Bolt, 5/16" (E)
2	Carriage Bolt, 3/8" (F)
2	Locknut, 3/8" (G)
2	Lockwasher, 3/8" Star (H)
2	Plastic Locking Knob 3/8" (I)
6	Nut, 5/16" Nylock Flange (J)

NOTE: Retain these installation instructions with the machine operator's manual.

Parking Safely

1. Stop machine on a level surface, not on a slope.
2. Disengage mower blades.
3. Move motion control levers out to the Start/Shutdown position.
4. Lock the park brake.
5. Stop the engine.
6. Remove the key.
7. Wait for engine and all moving parts to stop before you leave the operator's seat.
8. Disconnect the negative battery cable or remove the spark plug wire (for gasoline engines) before servicing the machine.

Installing Pattern Mowing Kit

Brush Mount Frame Alignment and Mounting Hole Identification

The brush mount frame is designed to be adaptable to all of the mower decks covered by these instructions, by using different combinations of the available alignment and mounting holes.

Install Brush Mount Frame

1. Park the mower on a level surface and engage parking brake. (See "Parking Safely" above.)

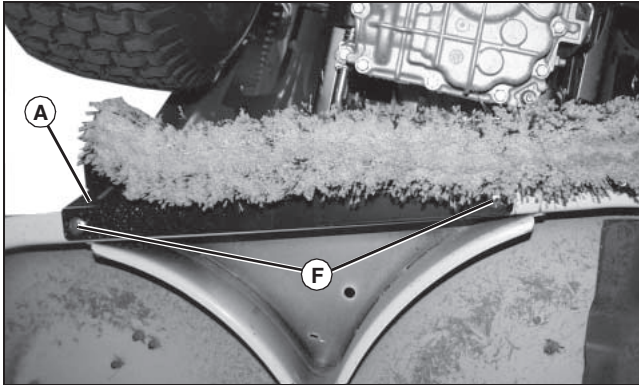


CAUTION: Avoid injury! Blades are sharp and can cut. Use caution and wear gloves when handling blades or working near blades.

2. It is not necessary to remove the mower deck to install this kit.



CAUTION: Avoid injury! Machine component or attachment is heavy. Use a safe lifting device or get an assistant to help lift, install or remove component or attachment.

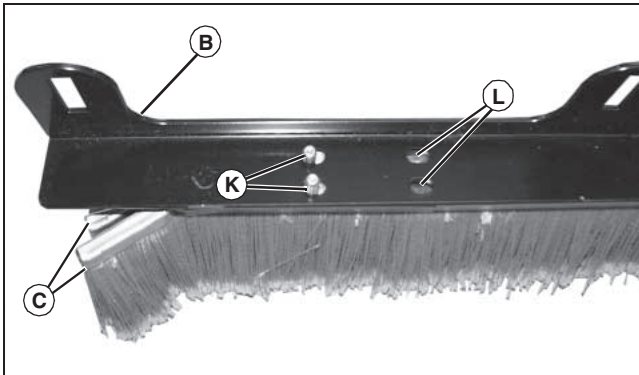


MX41747

3. Install mower deck bracket (A) to mower deck using two 5/16" carriage bolts (F) and 5/16" flange nuts (J).

Assemble Brushes and Brush Support to Brush Mount Frame

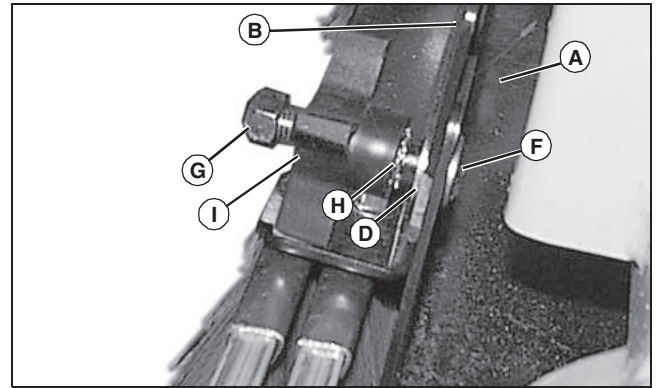
NOTE: Brush to brush holder mounting use left set of slotted holes for Select series machine. Use right set of slotted holes for L series machine.



MX41748

Picture Note: Brush position using holes (K) for X300 series shown. Use holes (L) for LA100 series.

1. Install the two brushes (C) to the bottom of the brush support (B) and secure with four 5/16" flange nuts (J). Tighten hardware.



MX41749

Picture Note: Locking knob above shown installed loose to show location of washers.

2. Attach brush support (B) to mower deck bracket (A) using 3/8" carriage bolt (F), 3/8" flat washer (D), 3/8" star lockwasher (H), plastic locking knob (I) and 3/8" locknut (G). The locknut should only be turned on until the locking threads are flush with end of bolt. The purpose of the locknut is to prevent accidental loss of the knob.

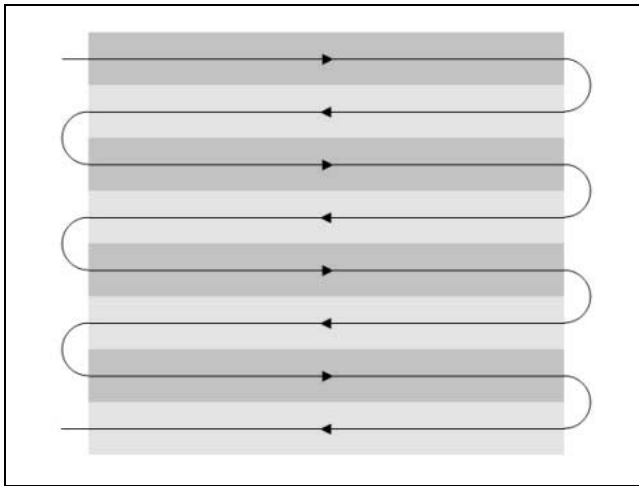
3. Adjust the position of the brushes in the holder so there is clearance between tires and brushes.

Operation and Adjustment

Operation

- The Pattern Mowing Kit extends the capability of compatible models by providing a means to create cosmetic pattern effects on the lawn during the mowing process.
- When properly adjusted, the brushes bend the cut grass in the direction of travel. With proper planning, mowing patterns can create attractive "striping" or "checkered" effects, as sunlight reflects off of the grass, bent in different directions by alternating rows or crisscrossed designs. To accomplish this, mowing must be planned to alternate direction of mowing travel with each pass to create the most effective patterns.
- For best results, mowing height should be at least 2 in., and mowing direction should be alternated 90° (perpendicular) at each mowing, from the previous time. Removing grass clippings with a material collection system will also enhance the visual effect of any pattern.

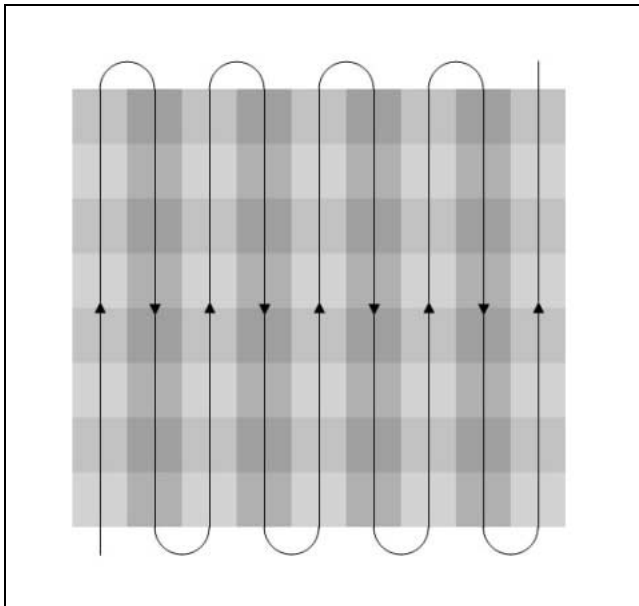
To create a striped pattern:



Picture Note: Single striped pattern.

- Create a striped pattern by mowing in straight-line passes, alternating the direction of travel with each pass.

To create a checkered pattern:



Picture Note: Two perpendicular striped patterns create a checkered effect.

- First create a striped pattern. Then complete the checkered pattern by creating another striped pattern perpendicular to the first one. The intersection of the two striped patterns creates a checkerboard effect.

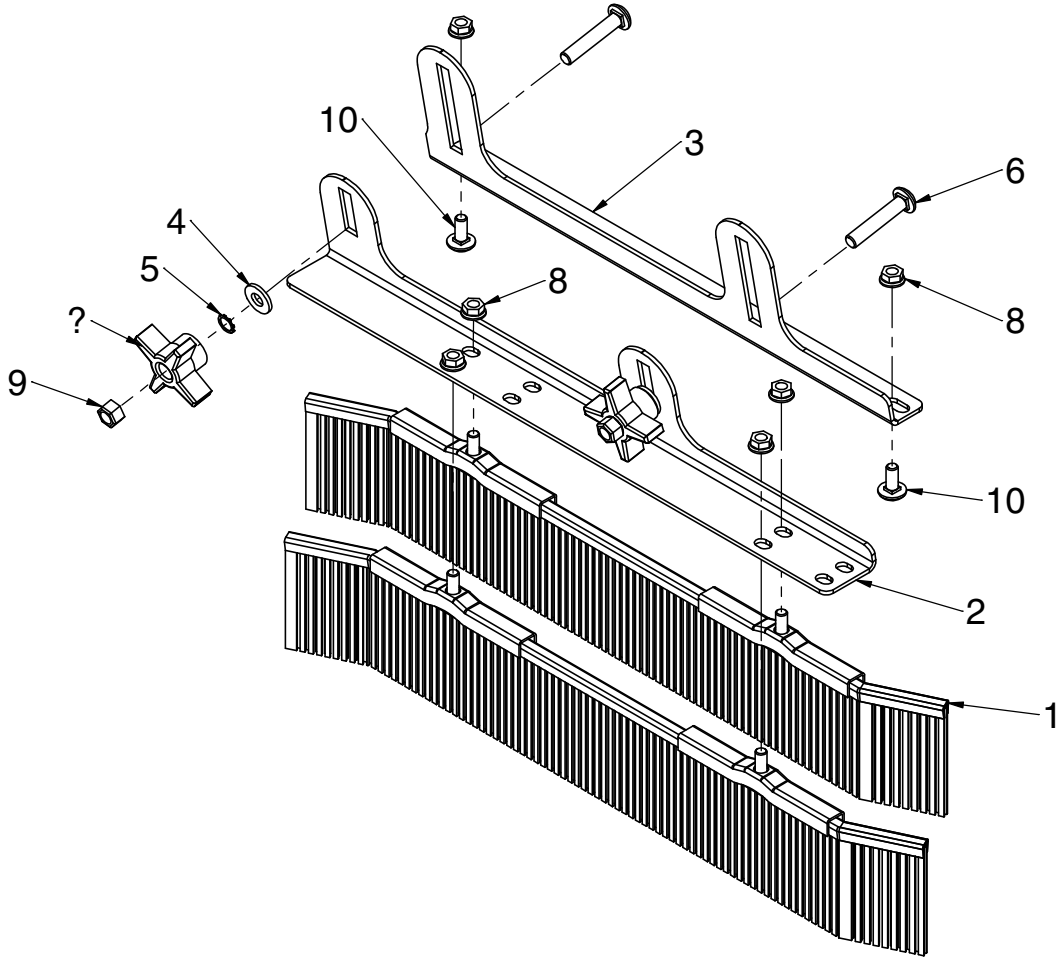
Adjustment



CAUTION: Avoid injury! Touching hot surfaces can burn skin. The engine, components, and fluids will be hot if the engine has been running. Allow the engine to cool before servicing or working near the engine and components.

- Remove grass and debris from engine compartment, muffler area, and mower deck before and after operating machine, especially after mowing or mulching in dry conditions.
- Determine desired grass height and adjust mower deck cutting height. The Pattern Mowing Kit works best with taller grass height, 2-1/2 to 3-1/2 in. Mowing heights shorter than 2 in. do not allow adequate pattern creation.
- Lower mower deck to cutting height, then loosen the two plastic locking knobs and lower the brush assemblies until they touch the lawn surface. Lock the knobs to secure brush position. Lowering the brushes farther to exert more pressure provides no additional benefit, and will reduce brush life and performance.
- The brushes may be reversed, by removing them from the brush support, reversing them and re-installing in the support. Recommended interval is once yearly, or as needed.
- When parking the mower or when the mower deck is not in use, always raise the mower deck to lift the brush off the surface.

Part Explosion – 42” Grass Groomer



ITEM #	PART #	DESCRIPTION	QTY.
1	ST60034	Brush Assm, 22" Bent	2
2	ST60048	Brush Support	1
3	ST60047	Brush Mount Frame 42"	1
4	ST65003	3/8 Flat Washer	2
5	ST65026	3/8" Star Lock Washer	2
6	ST65082	3/8 x 2 Carriage Bolt	2
7	ST43289	3/8 Plastic Knob	2
8	ST65008	5/16 Flange Nut	6
9	ST65089	3/8 Nylock / Stover Nut	2
10	ST65006	5/16 x 3/4 Carriage Bolt	2