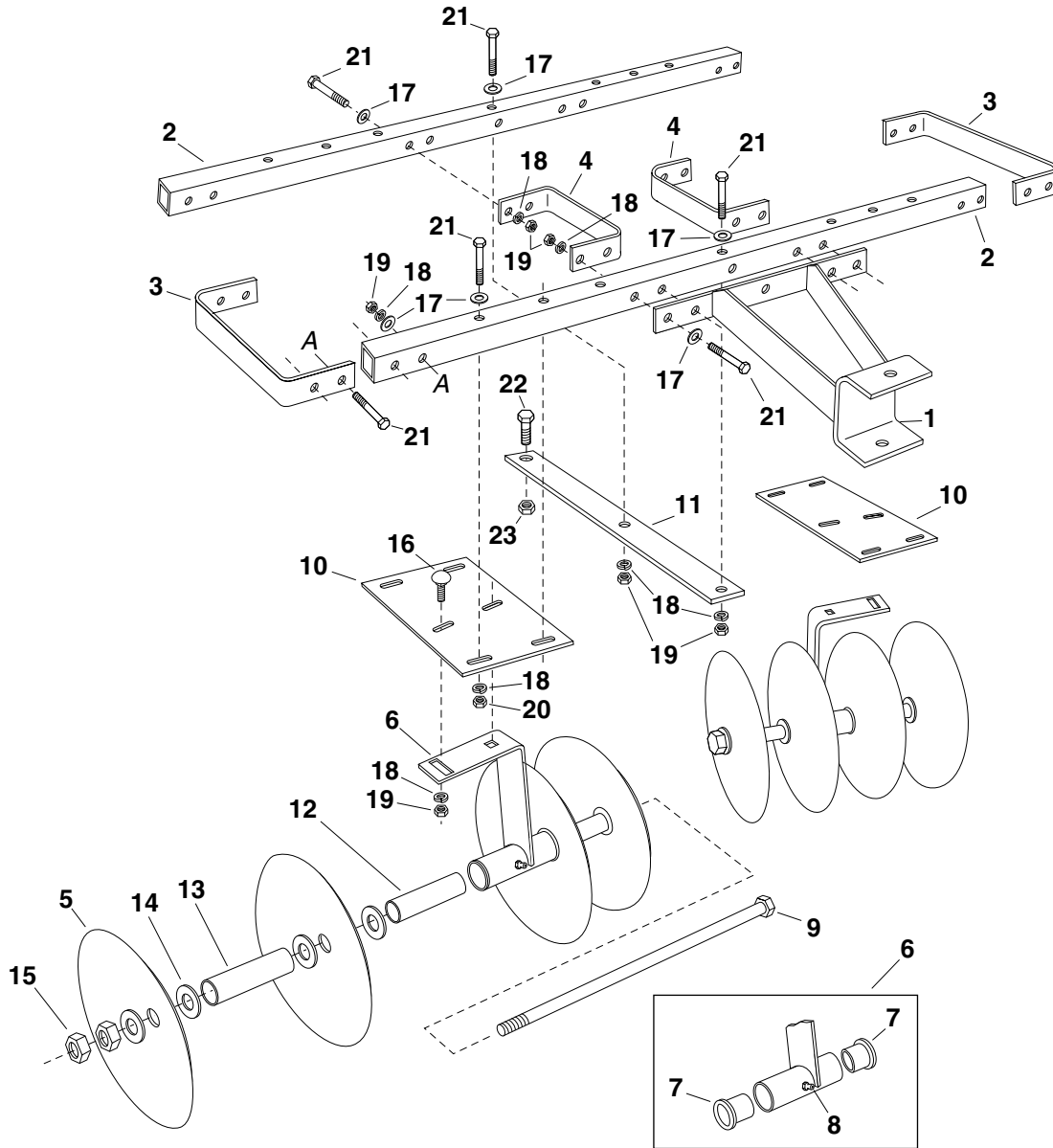


PARTS

REPAIR PARTS FOR MODEL 45-0266 - DISK CULTIVATOR



REF. NO.	PART NO.	QTY.	DESCRIPTION	REF. NO.	PART NO.	QTY.	DESCRIPTION
1	63656	1	Hitch Assembly.	13	46859	4	Spacer, 3/4" I.D. x 4-1/4" Lg.
2	46848	2	Frame Tube	14	1540-162RM	16	Flat Washer, 3/4" Std. Wrt.
3	24223	2	Frame Brace (End)	15	46860	4	Hex Nut, 3/4-10 Thread
4	24224	2	Frame Brace (Middle)	16	43350	4	Carriage Bolt, 3/8-16 x 1" Lg.
5	46856	8	Blade Disk	17	43070	26	Washer, 3/8" Std. Wrt.
6	63510	2	Bearing Hanger Brkt. Assembly.	18	43003	30	Lock Washer, 3/8"
7	44488	4	Bearing (Included in #63510)	19	43015	22	Hex Nut, 3/8-16 Thread
8	46858	2	Grease Fitting (Included in #63510)	20	43082	8	Hex Lock Nut, 3/8-16 Thread
9	46857	2	Hex Bolt, 3/4-10 x 16" Lg.	21	43432	26	Hex Bolt, 3/8-16 x 2-1/2" Lg.
10	24226	2	Disk Mounting Plate	22	43020	1	Hex Bolt, 1/2-13 x 1-1/2" Lg.
11	24241	1	Hitch Bar	23	43262	1	Hex Lock Nut, 1/2-13 Thread
12	24240	2	Bearing Sleeve		47057	1	Owners Manual