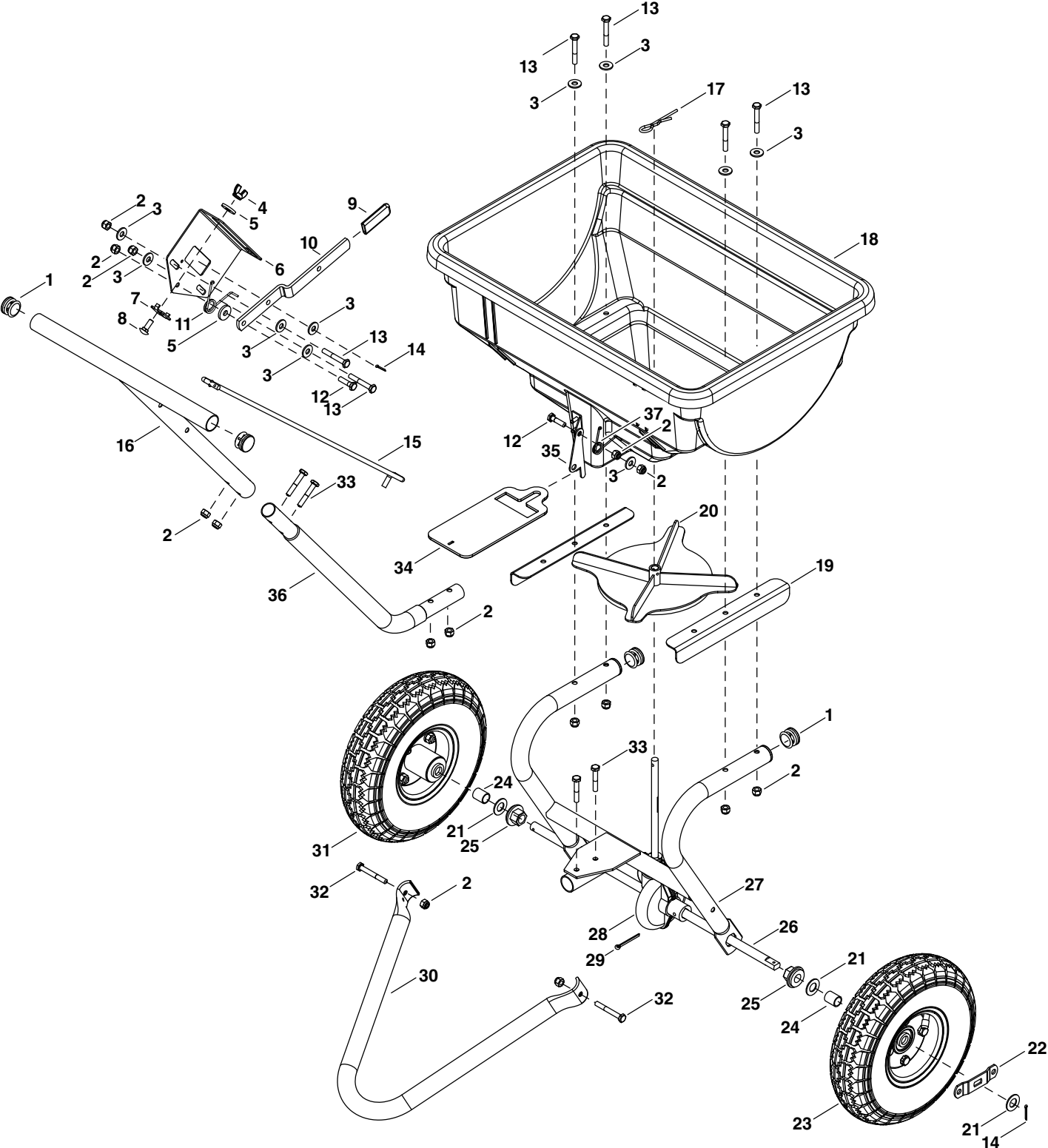


45-05321



45-05321

REF	QTY	PART NO	DESCRIPTION	REF	QTY	PART NO	DESCRIPTION
1	4	49449	1" Plug	20	1	45504	Impeller
2	16	47189	1/4" Nylock Hex Nut	21	4	R19171616	Large Washer
3	10	43088	Small Washer	22	1	24116	Drive Wheel Plate
4	1	47141	1/4" Nylon Wing Nut	23	1	48865	Drive Wheel
5	2	1543-69	Nylon Washer	24	2	45705	Spacer
6	1	27322	Flow Control Mounting Bracket	25	2	47963	Flange Bearing
7	1	24858	Adjustable Stop	26	1	28379	1/2" Axle
8	1	44950	1/4-20 X 3/4" Carriage Bolt	27	1	68491	Frame Assembly
9	1	43848	Control Arm Grip	28	1	69209	Gearbox Assembly
10	1	24856	Control Arm	29	1	43501	9/64" Cotter Pin
11	1	42347	Torsion Spring	30	1	28463	Stand Tube
12	2	43661	1/4-20 X 1" Hex Bolt	31	1	46503	Wheel
13	6	1509-69	1/4-20 X 1-3/4" Hex Bolt	32	2	46699	1/4 X 2" Hex Bolt
14	3	44101	3/32" Cotter Pin	33	4	43648	1/4 X 1-1/2" Hex Bolt
15	1	45431	Control Rod	34	1	45428	Flow Plate
16	1	69009	Handle	35	1	23758	Slide Gate Bracket
17	1	48934	Hairpin Agitator	36	1	28464	Lower Handle Tube
18	1	69126	Hopper Assembly	37	1	44566	Torsion Spring
19	2	28486	Support Angle		1	45724	Owner's Manual

THANK YOU FOR YOUR PURCHASE!

Without your product review, we don't exist.

If you are happy with our quality products & service,
please take just a moment to leave positive feedback and
a short review of our product on our website or your retailer's website.

Not totally satisfied?

If you have any issues, don't hesitate to contact us.
We make mistakes sometimes, but please give us the chance
to make it right before leaving negative feedback against our product.

Customer Care
M-F 7:00 a.m. - 5:00 p.m. CST
800-448-9282
www.agri-fab.com

