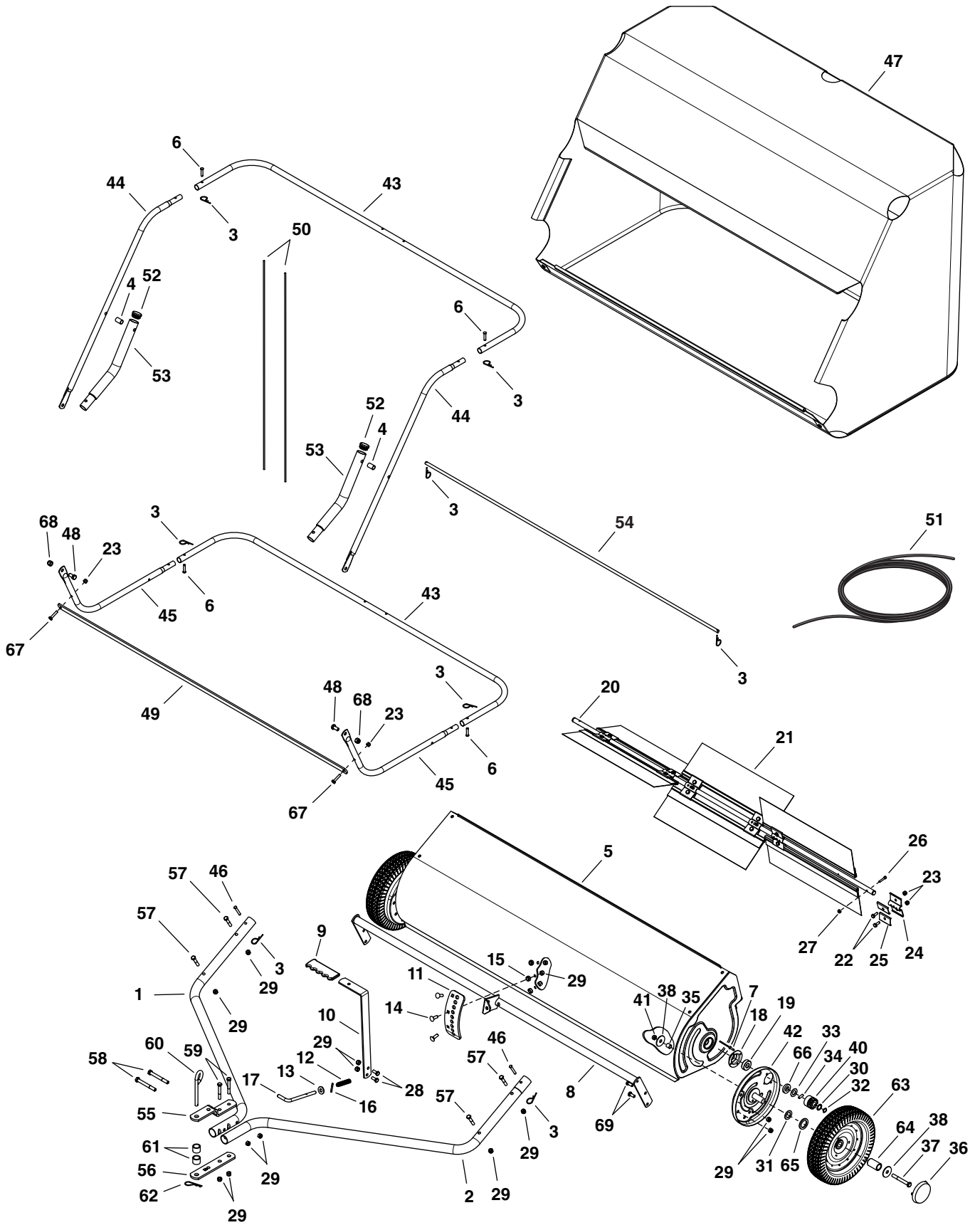


# REPAIR PARTS FOR MODEL 45-05221 - 52" LAWN SWEEPER



## REPAIR PARTS FOR MODEL 45-05221 - 52" LAWNSEWER

REF	PART NO.	QTY	DESCRIPTION	REF	PART NO.	QTY	DESCRIPTION
1	28184	1	Hitch Tube, R.H.	36	2674-32	2	Hub Cap
2	28183	1	Hitch Tube, L.H.	37	43574	2	Bolt, Hex 3/8-16 x 3" Lg.
3	43055	8	Hairpin Cotter, 3/32"	38	141	4	Washer, Flat 1-1/2" x .375" x .062"
4	23658	2	Spacer, .46" x .56" x .62" (5/8")	39	2692-6	1	Gear, Pinion R.H. (not shown)
5	68688BLK	1	Housing Assembly	40	2692-7	1	Gear, Pinion L.H.
6	48365	4	Clevis Pin, 1/4" x 1-1/8"	41	42210	2	Nut, Nylock Jam 3/8-16
7	C-9M5732	6	Rivet, Pop	42	68691	2	Ass'y, Dust Cover
8	68689	1	Height Adjustment Assembly	43	45406	2	Hopper Frame (Rear)
9	43943	1	Grip	44	49765	2	Upper Hopper Frame (Front)
10	25537ORG	1	Handle, Height Adjustment	45	48726	2	Lower Hopper Frame (Front)
11	25531ORG	1	Bracket, Height Adjustment	46	46867	2	Pin, Clevis 1/4" x 1-3/4" Lg.
12	HA2394	1	Spring	47	45405	1	Hopper Bag
13	43070	1	Washer, .438" x 1" x .083"	48	43407	2	Bolt, Hex 3/8-16 x 3/4"
14	44326	3	Bolt, Carriage 5/16-18 x 1"	49	28193	1	Strap, Bag Frame
15	23625	3	Spacer, .380" x .62" x .27"	50	43938	2	Rod, Hopper Support
16	44665	1	Pin, Roll 5/32" x 1-1/4"	51	43737	1	Hopper Rope
17	49608	1	Pin, Height Adjustment	52	47674	2	Plug
18	1629-56	2	Retainer, Dust Cover	53	28196	2	Tube, Bag Arm
19	44232	2	Ball Bearing	54	28195	1	Rod, Hopper Bag
20	28197	1	Brush Shaft	55	23687	1	Bracket, Hitch
21	45252	6	Brush, 52"	56	24192	1	Bracket, Hitch (Straight)
22	43012	12	Bolt, Hex 1/4-20 x 3/4" Lg.	57	43084	4	Bolt, Hex 5/16-18 x 1-3/4" Lg.
23	47189	14	Nut, Nylock 1/4-20 Thread	58	46782	2	Bolt, Hex 5/16-18 x 3" Lg.
24	23580	6	Retainer, Brush (Double)	59	43224	2	Bolt, Hex 5/16-18 x 2-1/4" Lg.
25	23581	12	Retainer, Brush (Single)	60	23353	1	Pin, Hitch
26	49954	6	Bolt, Hex 10-32 x 1" Lg.	61	23368	2	Tube, Hitch Spacer
27	47171	6	Nut, Nylock 10-32	62	43343	1	Hairpin Cotter, 1/8"
28	43182	2	Bolt, Hex 5/16-18 x 3/4" Lg.	63	40113	2	Wheel & Tire (includes item #64)
29	47810	17	Nut, Nylock 5/16-18 Thread	64	40109	2	Bushing, Bronze
30	44006	2	Washer, Flat .849" x .598" x .025"	65	HA4143	2	Washer, 1.04" x 1.5" x .145"
31	1540-31	2	Washer, Flat .78" x 1.25" x .062"	66	23520	2	Spacer, .660" x .250" x .250" L
32	42094	2	Ring, Retaining .562" ID	67	1509-90	2	Bolt, Hex 1/4-20 x 1-1/4"
33	40001	8	Washer, Shim 1.125" x .595" x .020"	68	HA21362	2	Nut, Nylock 3/8-16
34	47046	2	Dowel Pin (Drive)	69	43814	4	Screw, 5/16-18 x 3/4" Lg.
35	48866	2	Spacer, .38" x .50" x .53"		45441	1	Owners Manual

**SpeedPart** *the fastest way to purchase parts* [www.speedepart.com](http://www.speedepart.com)