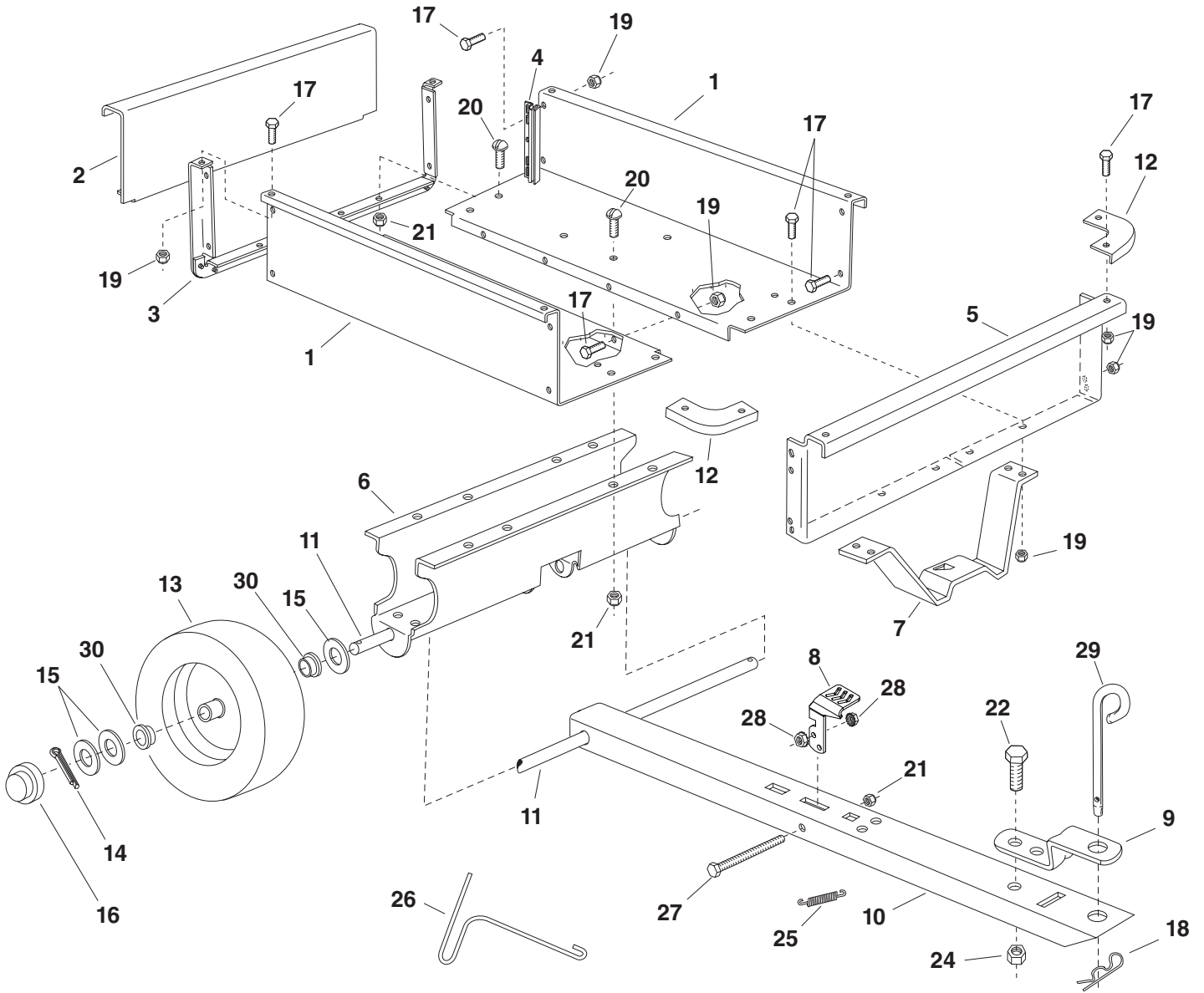


45-02403 & 190-425D-100



REF. NO.	PART NO.	QTY.	DESCRIPTION	REF. NO.	PART NO.	QTY.	DESCRIPTION
1	24096	1	Cart Body	16	43014	2	Hub Cap
2	23504	1	Tailgate	17	43012	23	Hex Bolt, 1/4-20 x 3/4"
3	62457	1	Tailgate Reinforcement Bracket	18	43343	1	Hair Cotter Pin, 1/8 (#4)
4	23548	2	Tailgate Guide	19	47189	23	Nylock Nut, 1/4-20
5	23490	1	Front Panel	20	43814	12	Truss Hd. Bolt, 5/16-18 x 3/4"
6	23487	1	Wheel Support	21	47810	13	Nylock Nut, 5/16-18
7	24497	1	Latch Stand Bracket	22	43001	1	Hex Bolt, 3/8-16 x 1"
8	28258	1	Foot Peddle Latch	24	HA21362	1	Nylock Nut, 3/8-16 *
9	23014	1	Hitch Bracket	25	47408	1	Extension Spring
10	24750	1	Draw Bar Tongue	26	47622	1	Spring Puller Tool
11	24897	1	Axle, 1" Dia.	27	47407	1	Hex Bolt, 5/16-18 x 4"
12	23484	2	Front Corner Cap	28	46980	2	Hex Nut, 5/16-18 (SEMS)
13	41483	2	Wheel	29	23353	1	Hitch Pin
14	43501	2	Cotter Pin, 9/64" Dia. x 1-1/2"	30	41485	4	Wheel Bearing
15	43601	6	Washer, Flat 1"		45349	1	Owner's Manual