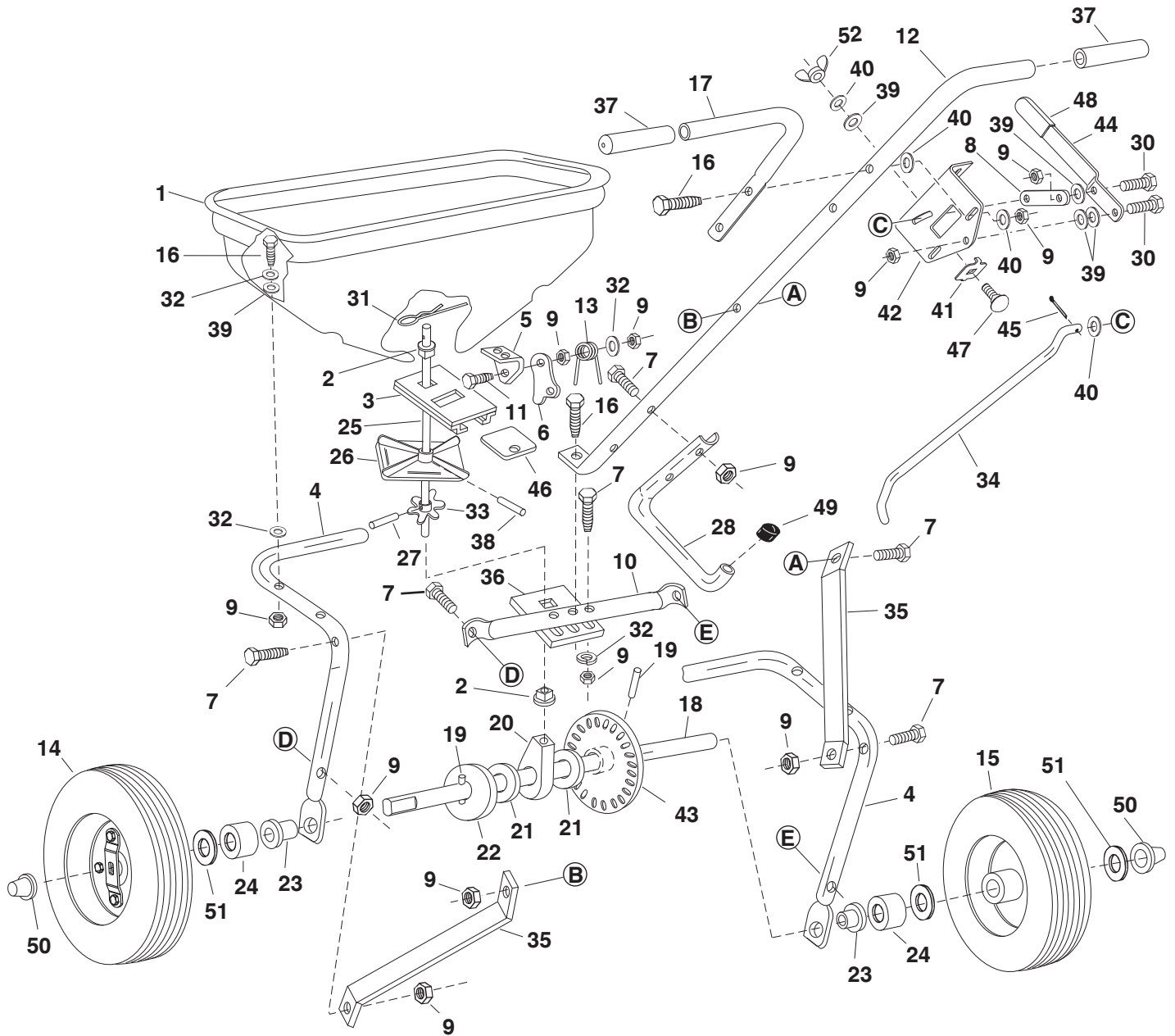


# 45-02143



## 45-02143

REF NO.	PART NO.	QTY	DESCRIPTION	REF NO.	PART NO.	QTY	DESCRIPTION
1	44624	1	Hopper	28	44587	1	Tube, Leg Stand
2	44285	2	Bushing, Delrin 3/8" I.D.	29	C-9M5732	2	Pop Rivet
3	62482	1	Ass'y, Guide Closure	30	43661	2	Bolt, Hex 1/4-20 x 1"
4	40469	1	Tube, Frame	31	48934	1	Hairpin Agitator
5	23753	1	Slide Gate Angle Bracket	32	43088	13	Washer, Flat 1/4" Std.
6	23758	1	Slide Gate Bracket	33	44468	1	Sprocket - 6 Tooth
7	43648	9	Bolt, Hex 1/4-20 x 1-1/2"	34	44514	1	Rod, Flow Control
8	24857	1	Flow Control Link	35	23525	2	Brace, Hitch
9	47189	22	Nut, Nylock 1/4-20	36	23780	1	Support, Shaft
10	44591	1	Tube, Crossover	37	44482	2	Grip, Handle
11	43661	1	Bolt, Hex 1/4-20 x 3/4"	38	46055	1	Pin, Spring 1/8" x 1"
12	44590	1	Tube, Handle (Long)	39	1543-69	10	Washer, Nylon
13	44566	1	Spring, Torsion	40	R19111116	6	Washer, 5/16 SAE
14	48865	1	Drive Wheel	41	24858	1	Stop, Adjustable
15	46503	1	Wheel	42	24855	1	Bracket, Flow Control Mount
16	1509-69	9	Bolt, Hex 1/4-20 x 1-3/4"	43	46885	1	Gear, Plastic
17	44589	1	Tube, Handle (Short)	44	24856	1	Flow Control Arm
18	23781	1	Shaft, Axle	45	44101	1	Cotter Pin 3/32" x 3/4"
19	44665	2	Pin, Spring 5/32" x 1-1/4"	46	23533	1	Plate, Closure
20	44672	1	Bushing, Axle Shaft	47	44950	1	Bolt, Carriage 1/4-20 x 3/4"
21	44137	4	Washer, Flat 1/2" I.D.	48	43848	1	Grip, Flow Control Arm
22	R19171616	1	Washer, Flat 17/32" I.D.	49	44481	1	Cap, Vinyl
23	47963	2	Bearing, Flange	50	44663	2	Hub Cap
24	46501	2	Tube, Spacer	51	R19171616	3	Washer, Flat 17/32" I.D.
25	25305	1	Shaft, Sprocket	52	47141	1	Nylon Wing Nut, 1/4-20
26	04367	1	Spreader Plate		42595	1	Owner's Manual
27	43850	1	Pin, Spring 1/8" x 5/8"				

**SpeedEPart** *the fastest way to purchase parts* [www.speedepart.com](http://www.speedepart.com)