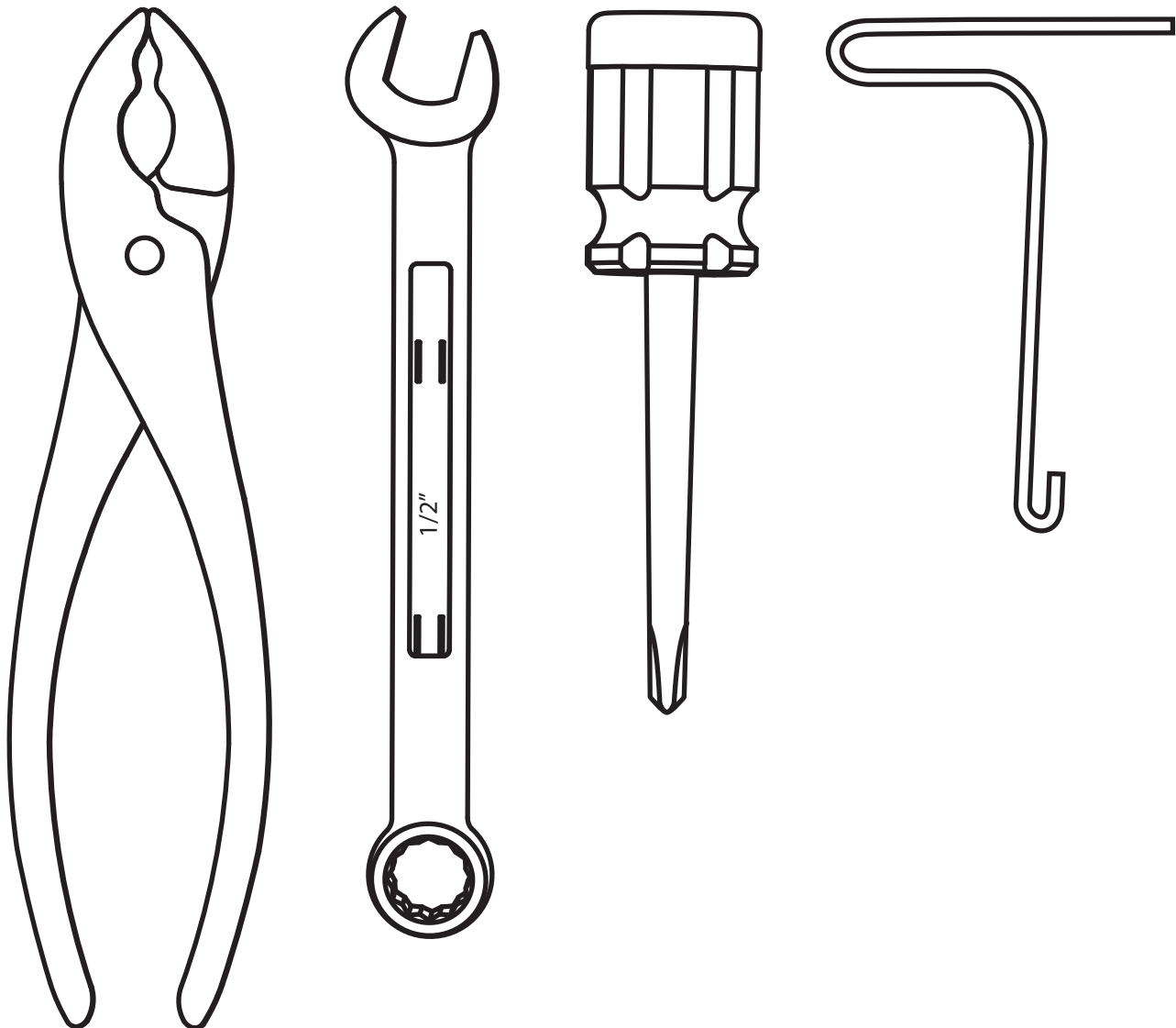
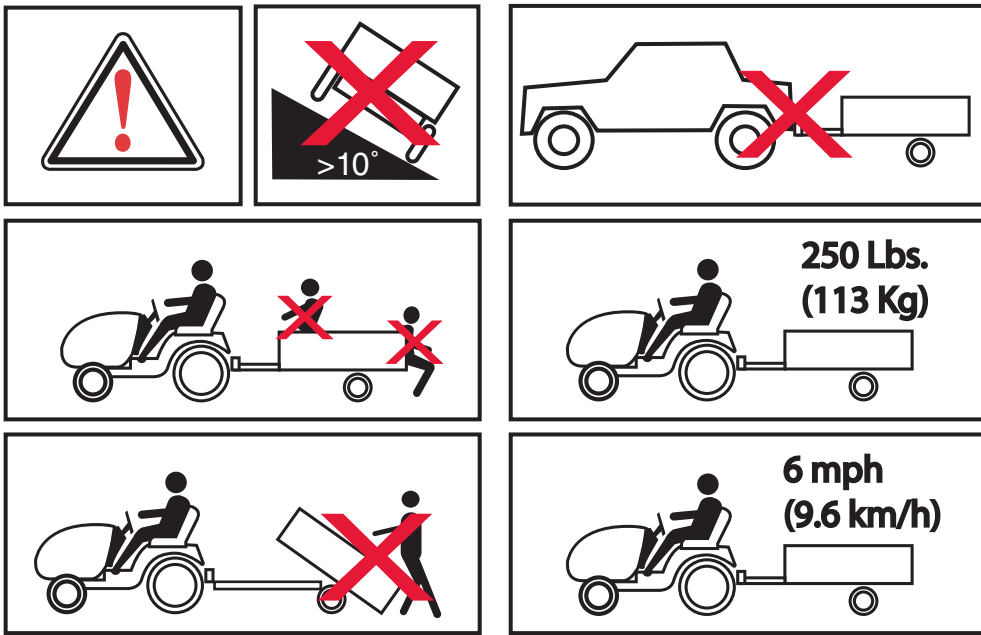
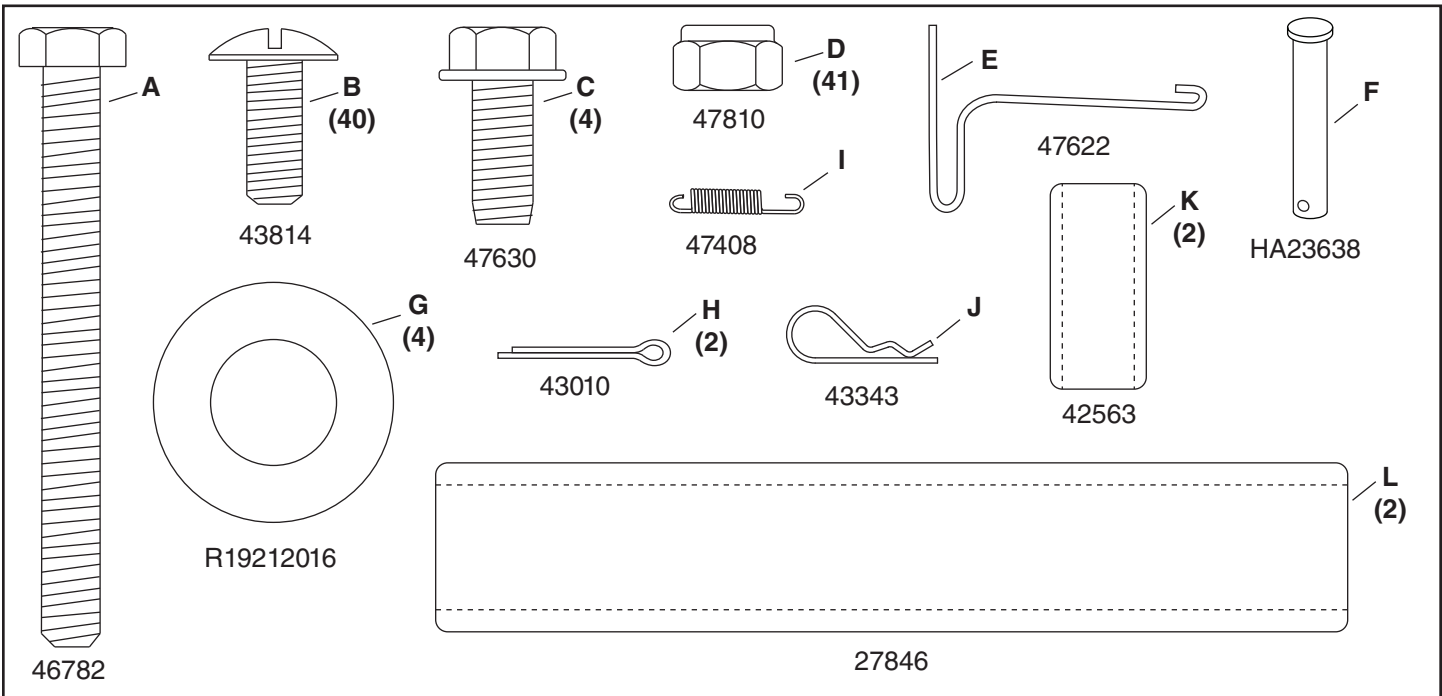
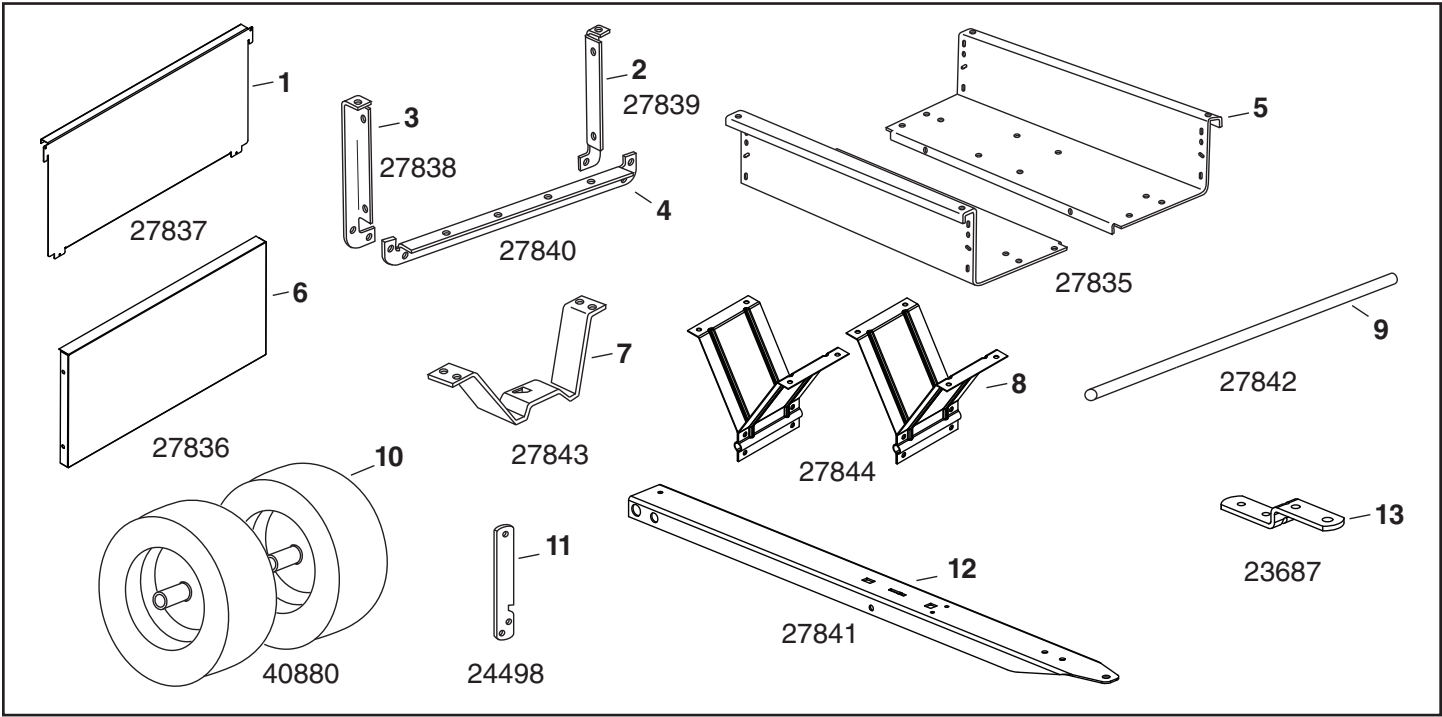
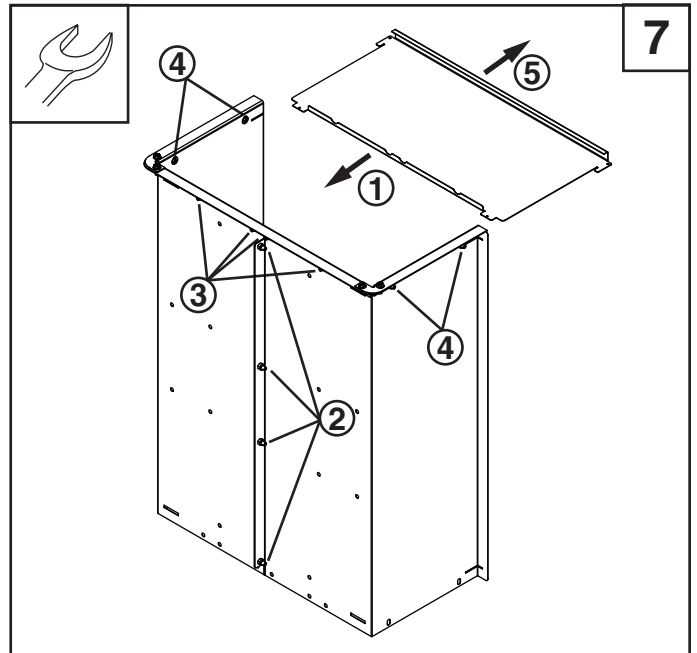
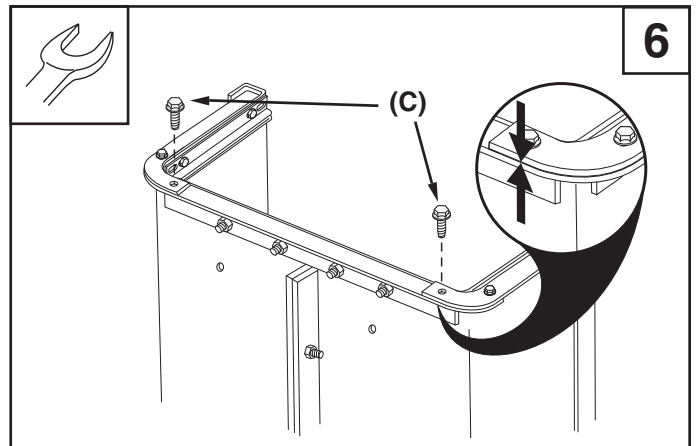
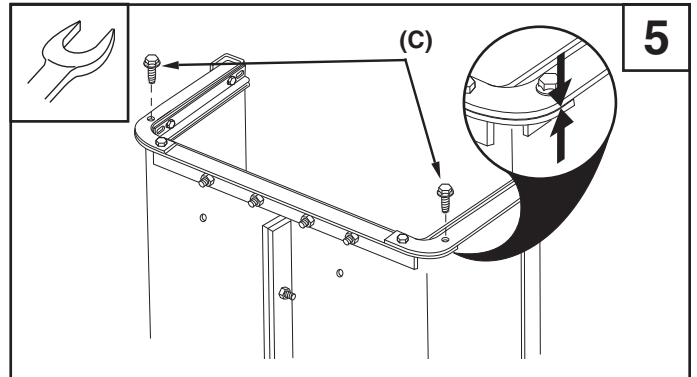
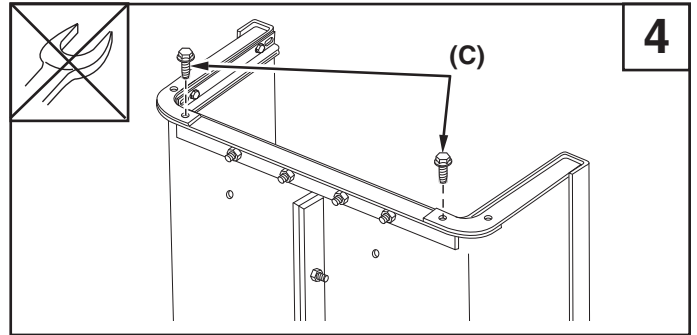
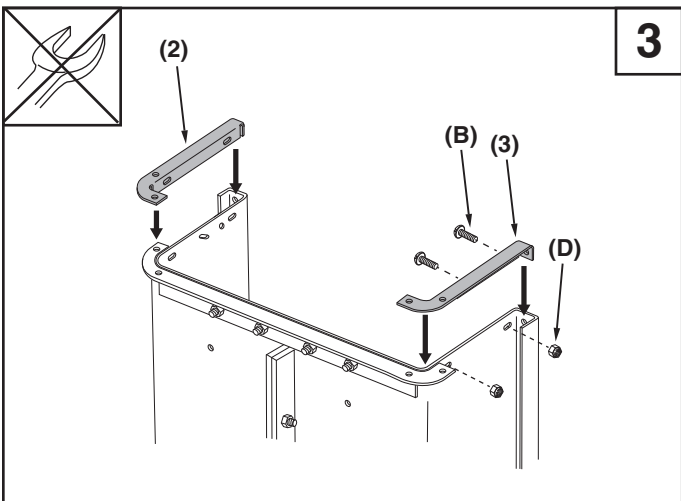
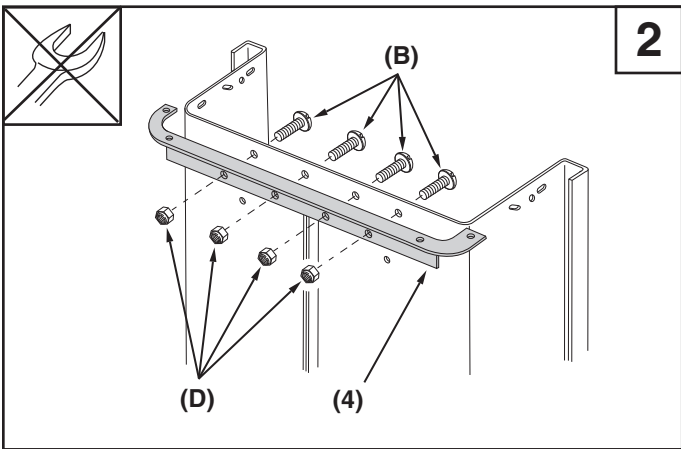
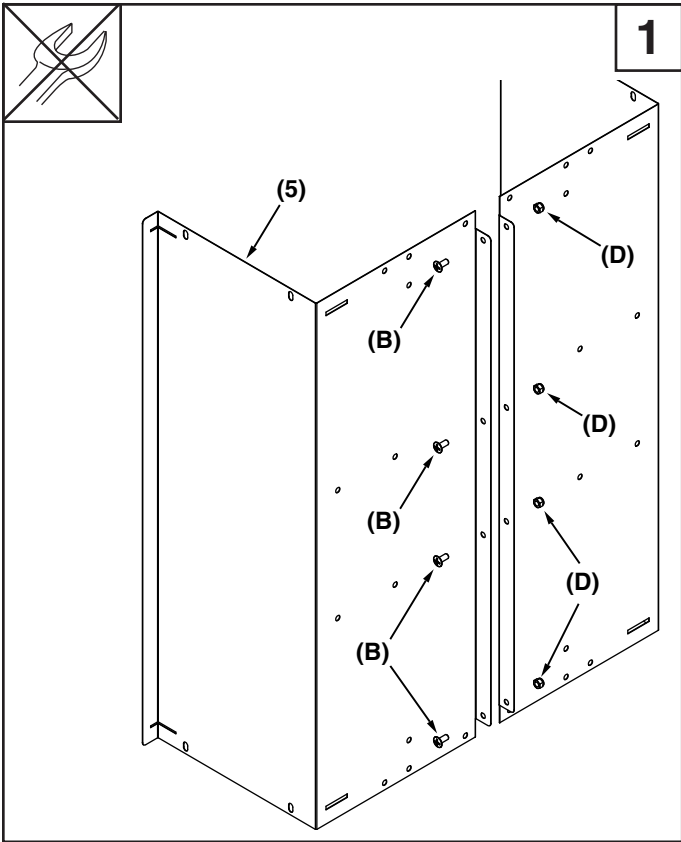
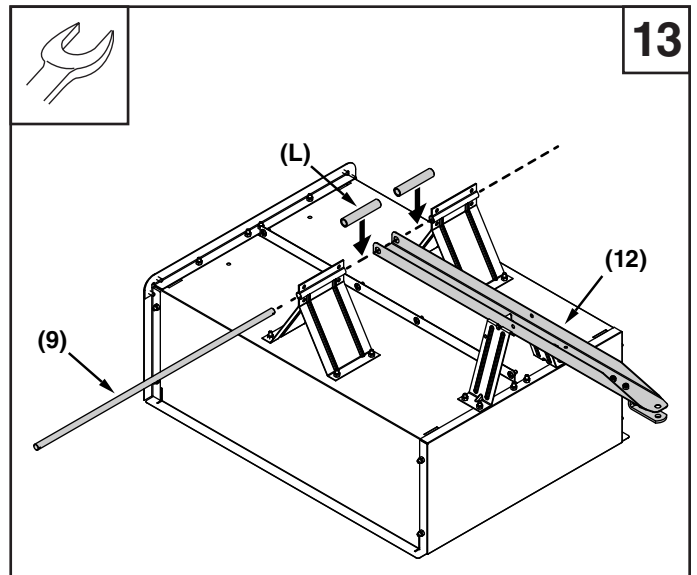
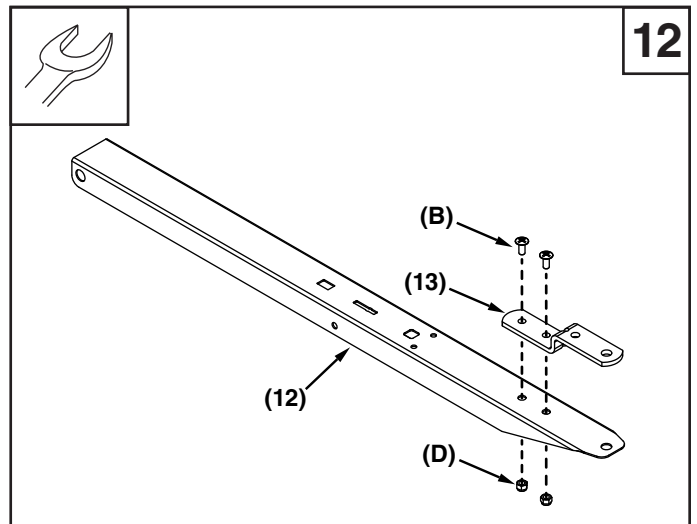
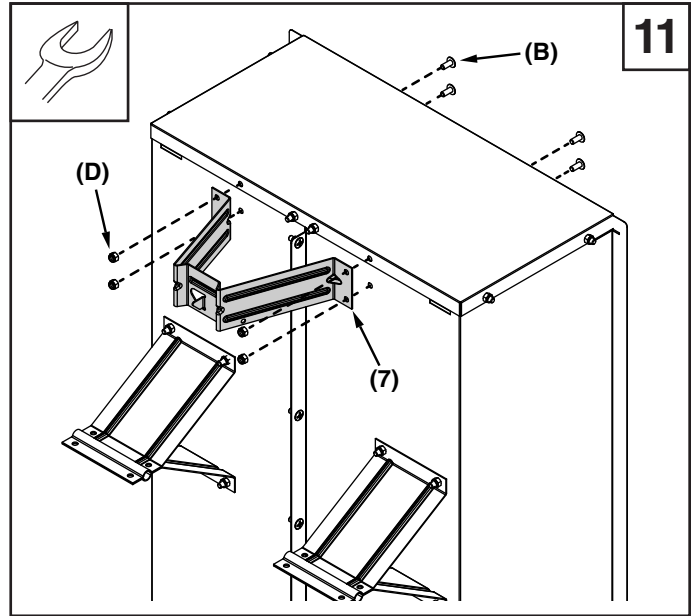
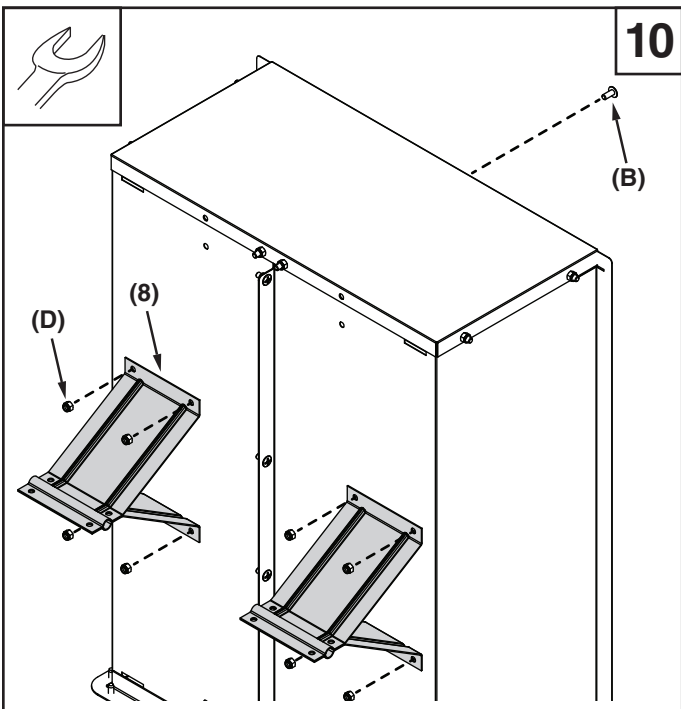
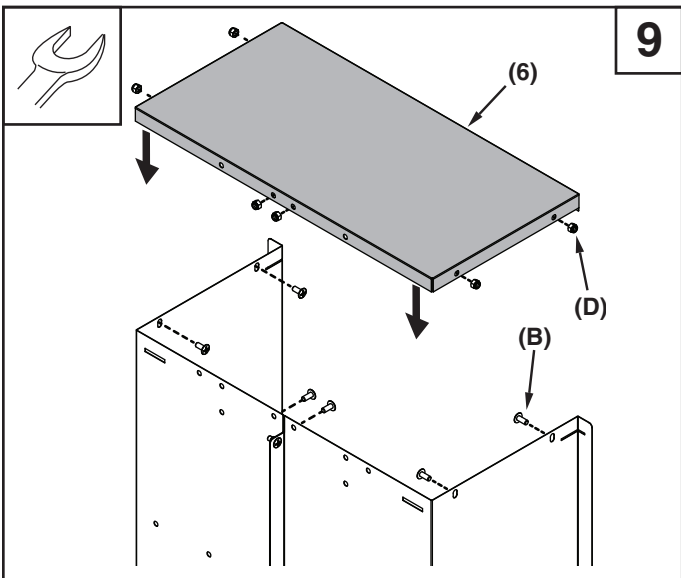
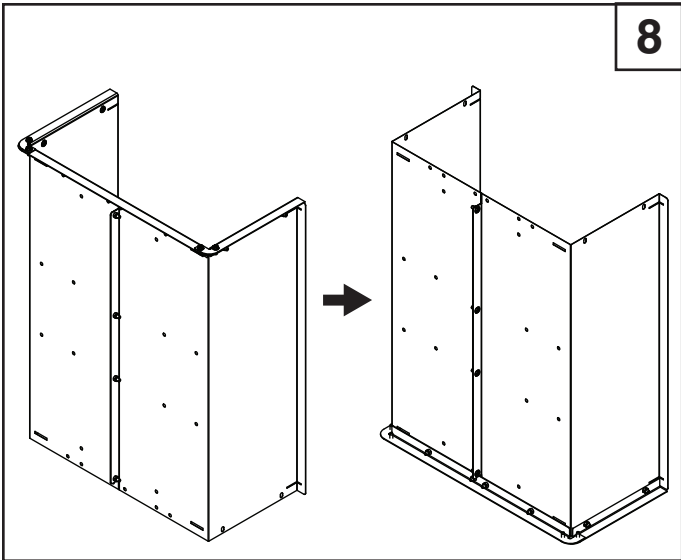


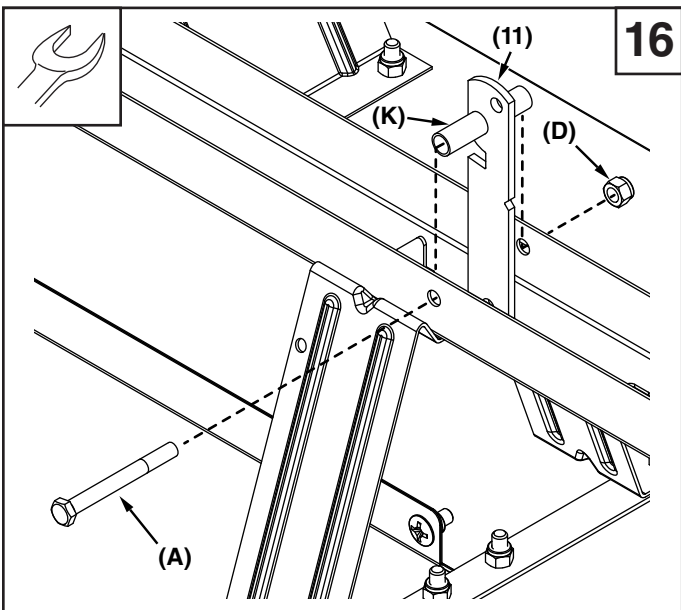
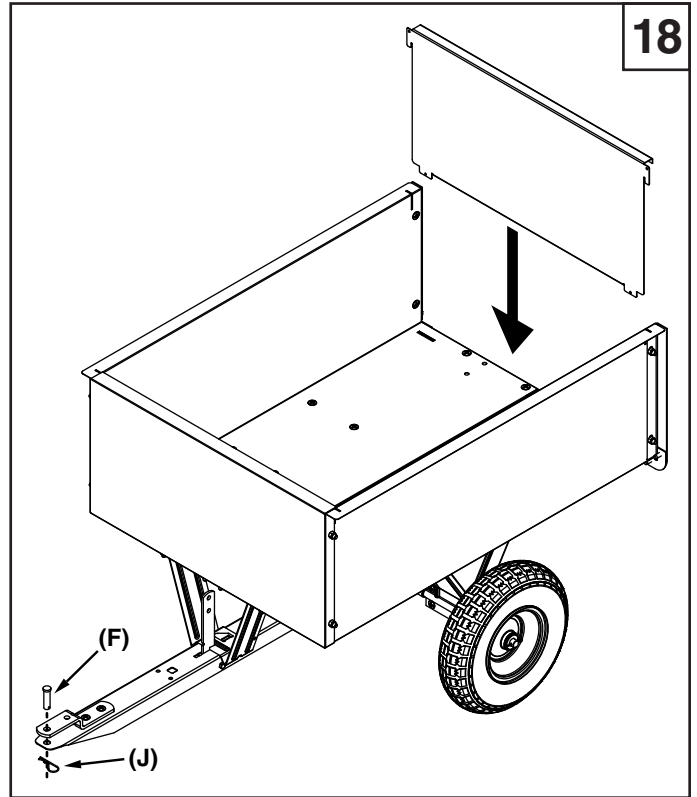
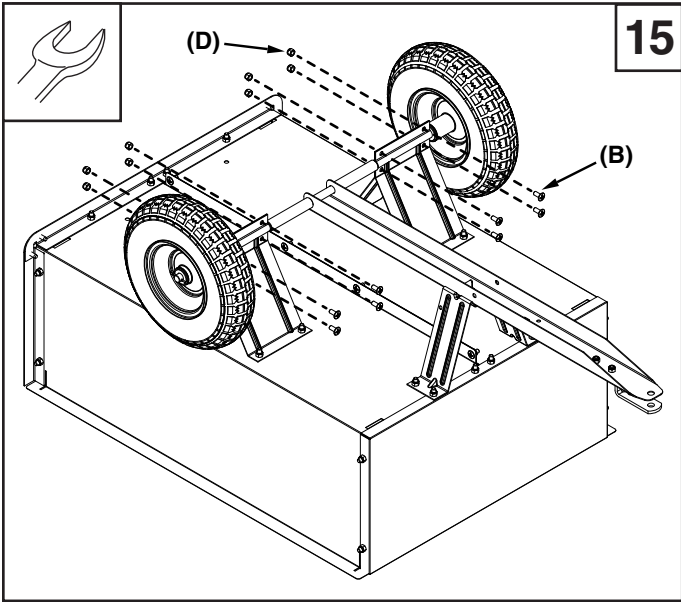
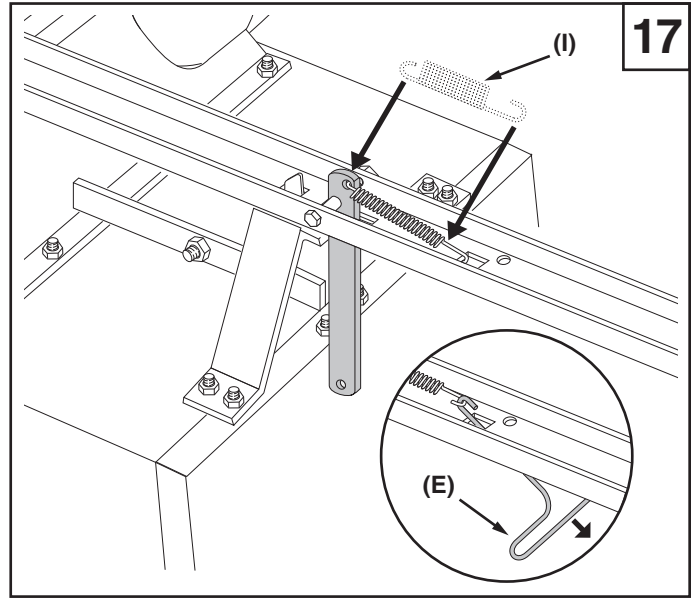
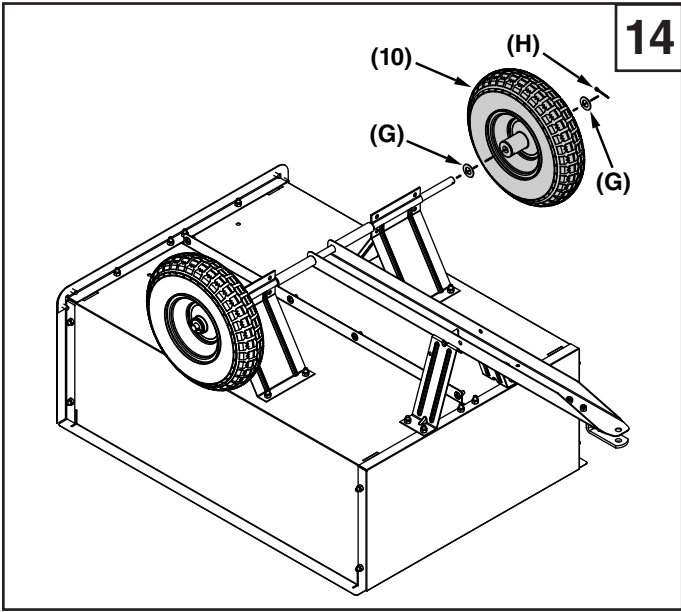
**45-0511**



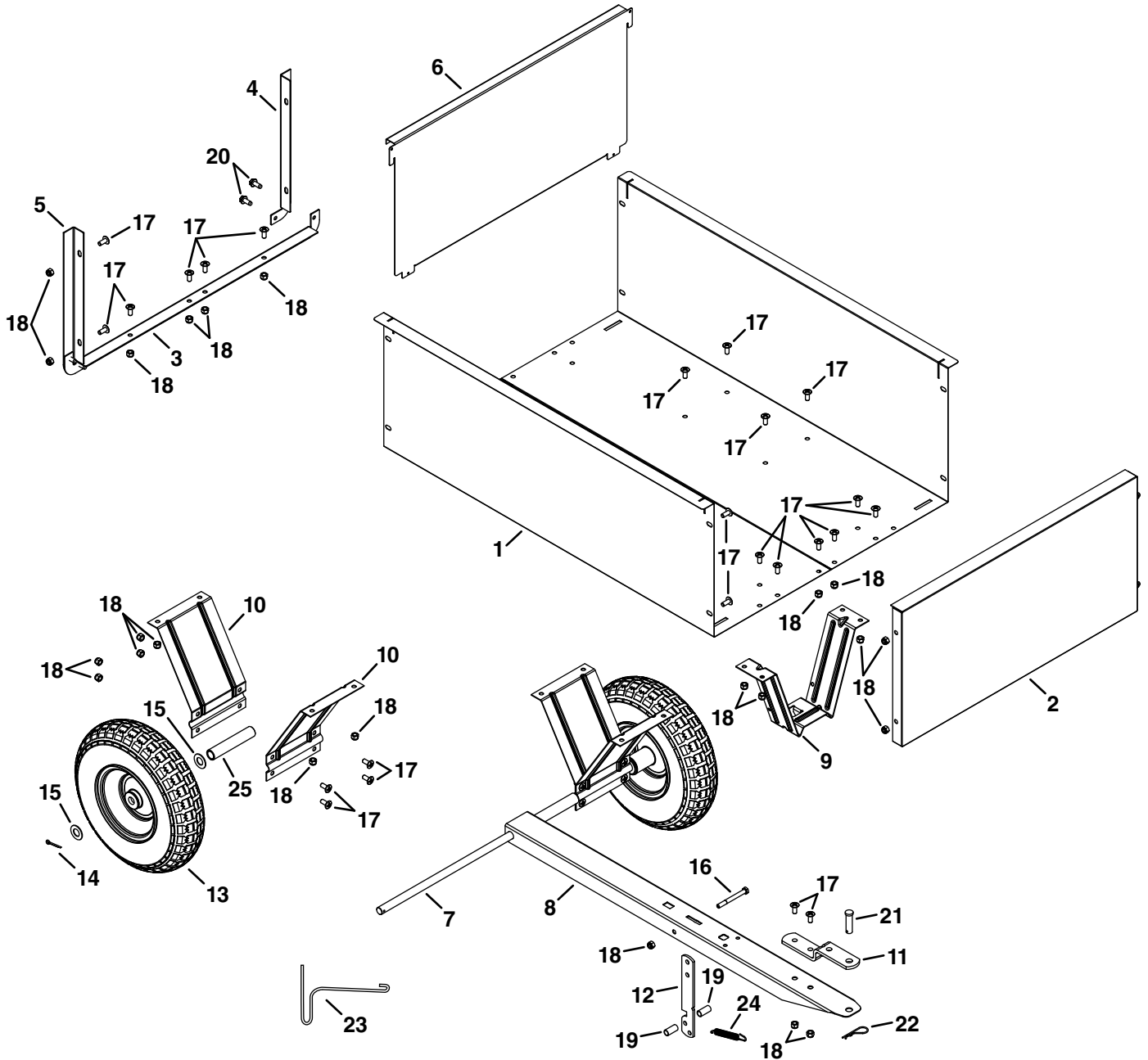








# 45-0511 Dump Cart



REF.	PART NO.	QTY.	DESCRIPTION	REF.	PART NO.	QTY.	DESCRIPTION
1	27835	2	Cart Bed	14	43010	2	Cotter Pin, 1/8 x 1-1/4"
2	27836	1	Cart Front	15	R19212016	4	Washer, .656" x 1.25" x .059"
3	27840	1	Lower Rear Angle	16	46782	1	Hex Bolt, 5/16-18 x 3"
4	27839	1	Rear Angle (LH)	17	43814	40	Screw, 5/16-18 x 3/4"
5	27838	1	Rear Angle (RH)	18	47810	41	Nylock Nut, 5/16"
6	27837	1	Tailgate	19	42563	2	Spacer, .375" x .5" x 1"
7	27842	1	Axle, 5/8"	20	47630	4	Hex Bolt, 5/16 x 3/4" Self Threading
8	27841	1	Cart Tongue	21	HA23638	1	Clevis Pin, 1/2 x 1-3/4"
9	27843	1	Latch Stand Bracket	22	43343	1	Hair Cotter Pin, 3/32 x 2-5/16"
10	27844	4	Wheel Support	23	47622	1	Spring Puller Tool
11	23687	1	Hitch Bracket	24	47408	1	Extension Spring
12	24498	1	Latch Lock Bracket	25	27846	2	Spacer, .88" x 4.75"
13	40880	2	Wheel		41739	1	Owner's Manual

**REPAIR PARTS**

Agri-Fab, Inc.  
303 West Raymond  
Sullivan, IL. 61951  
217-728-8388  
[www.agri-fab.com](http://www.agri-fab.com)