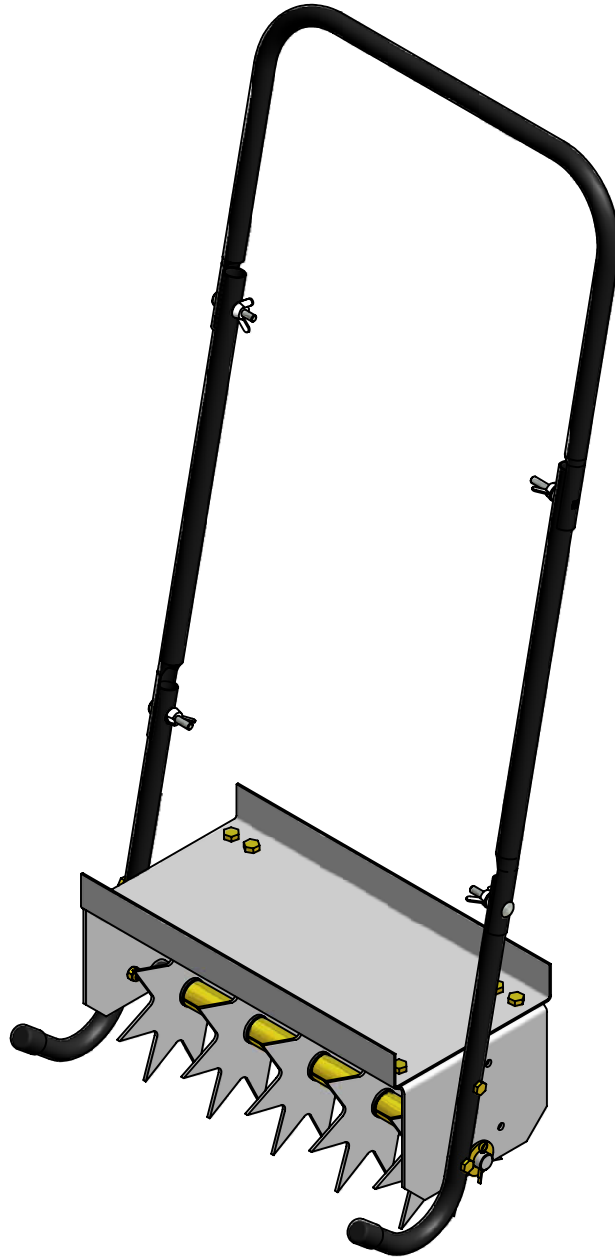
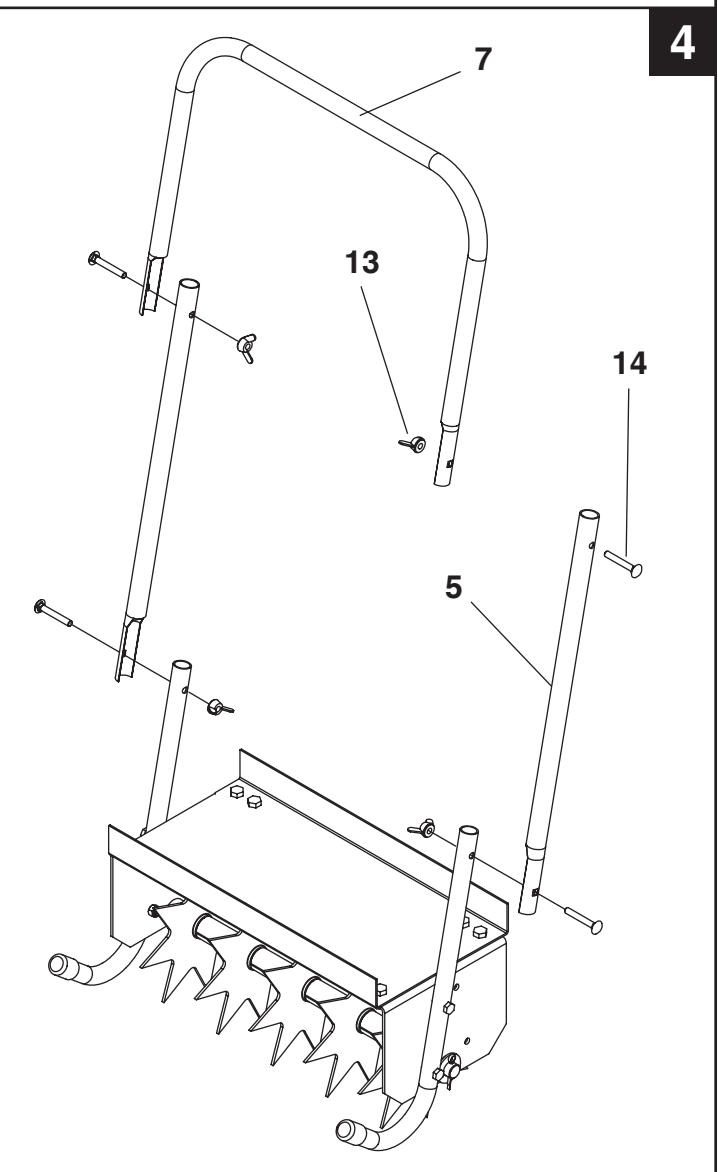
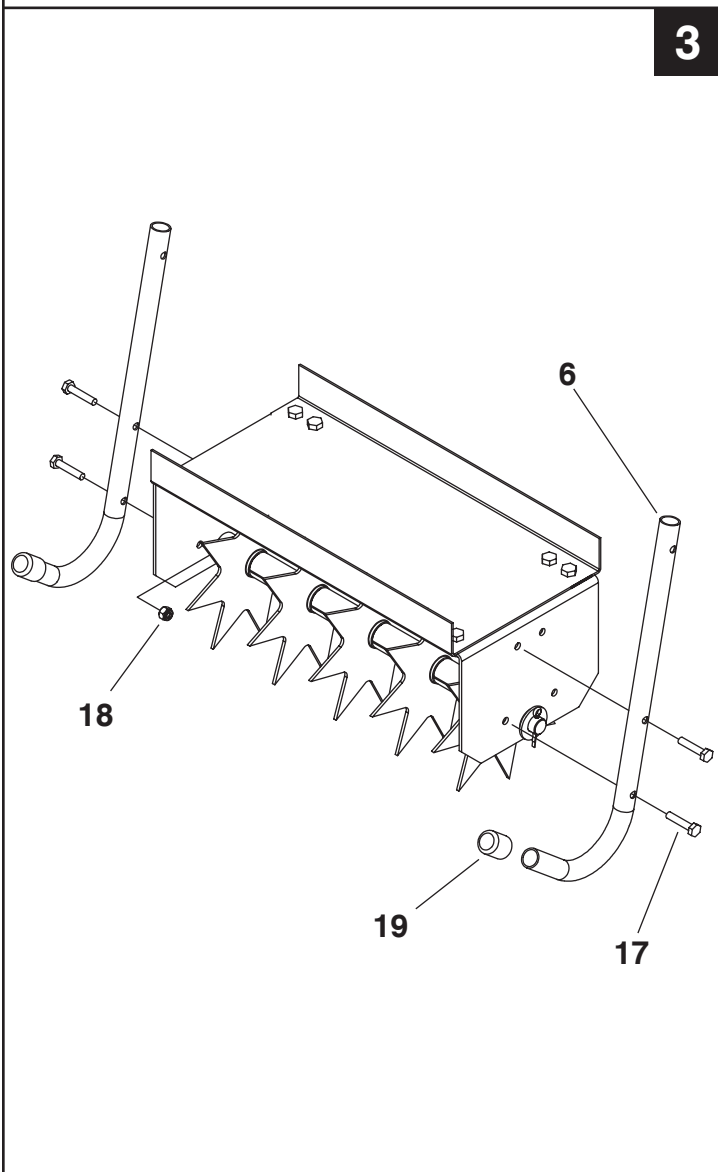
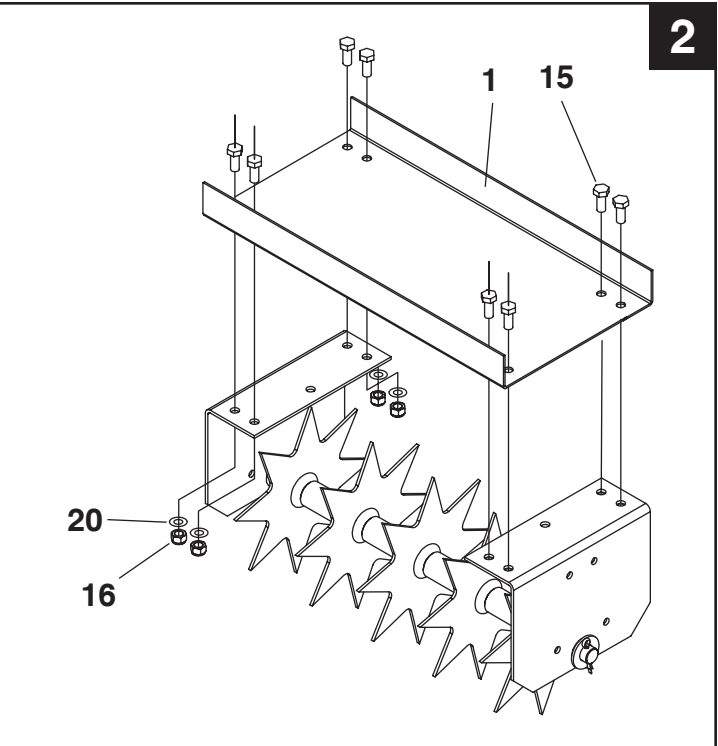
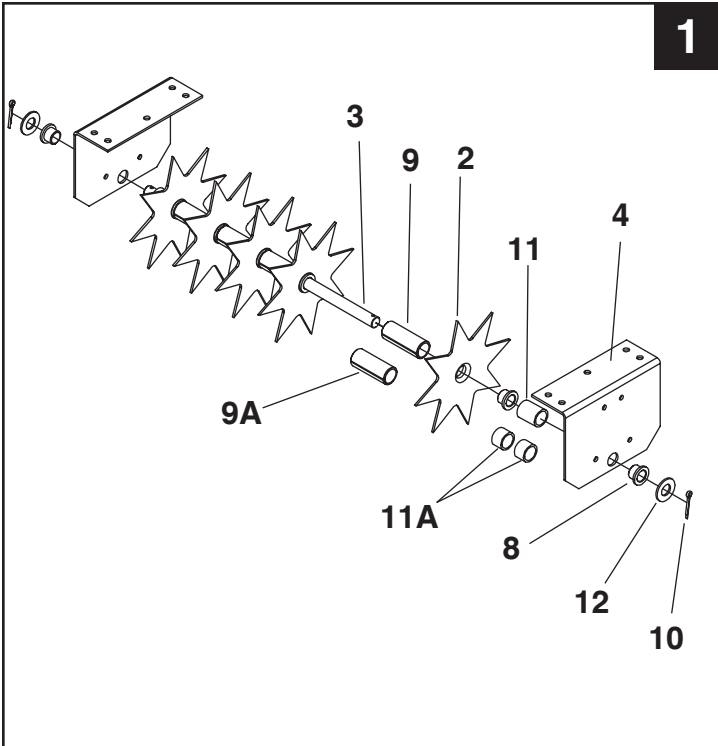


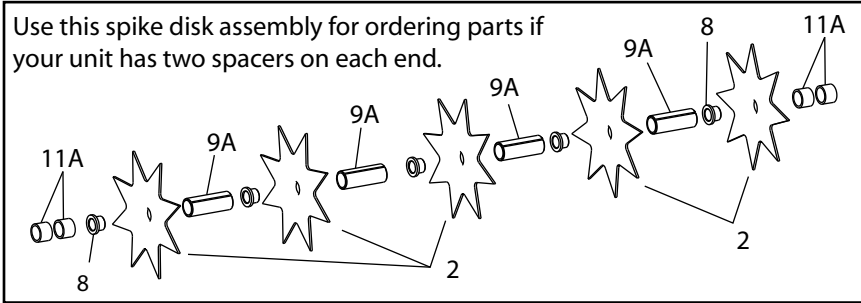
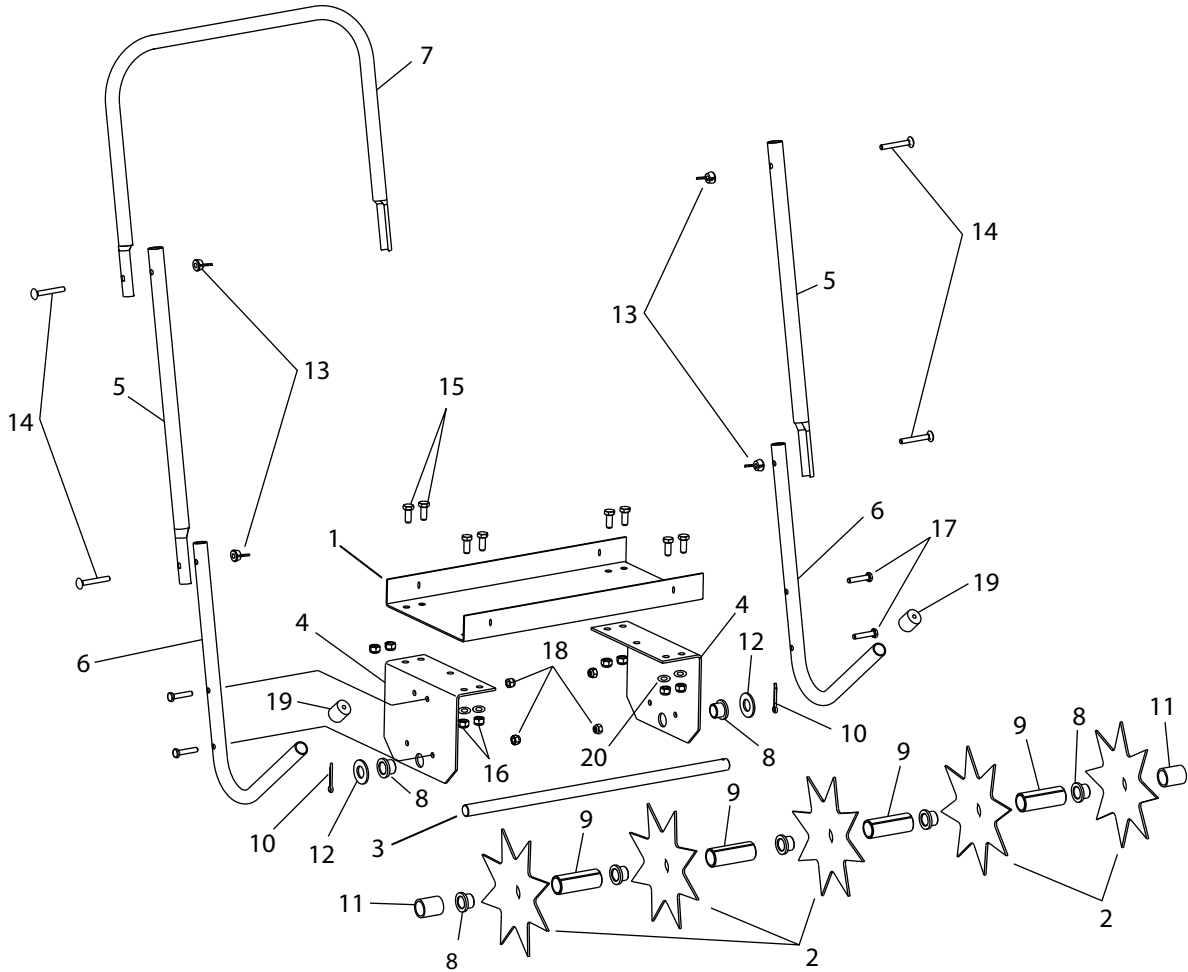
# PUSH SPIKE AERATOR ASSEMBLY INSTRUCTIONS

45-0365





# REPAIR PARTS FOR 45-0365 - PUSH SPIKE AERATOR



REF	QTY	PART NO	DESCRIPTION	REF	QTY	PART NO	DESCRIPTION
1	1	24719	Frame Tray	11	2	46497	Spacer, 1.2" Long
2	5	24332	Spike Disk	11A	4	23368	Spacer, .75" Long
3	1	24720	Axle	12	4	R19212113	Washer
4	2	24369	Endplate	13	4	47141M	Wingnut, M6
5	2	47925	Straight Handle Tube	14	4	45039M	Carriage Bolt, M6 x 40
6	2	47926	Foot Tube	15	8	43182M	Hex Bolt, M8 x 20
7	1	47924	Upper Handle Tube	16	8	47810M	Nylock Nut, M8
8	7	741-0249	Flanged Bearing	17	4	1509-90M	Hex Bolt, M6 x 30
9	4	46523	Spacer, 2.67" Long	18	4	234B10	Nylock Nut, M6
9A	4	46499	Spacer, 2.55" Long	19	2	44688	Rubber Cap
10	2	43010	Cotter Pin	20	8	43081	Washer

**REPAIR PARTS**

Agri-Fab, Inc.  
809 South Hamilton  
Sullivan, IL. 61951  
217-728-8388  
[www.agri-fab.com](http://www.agri-fab.com)

This document (or manual) is protected under the U.S. Copyright Laws and the copyright laws of foreign countries, pursuant to the Universal Copyright Convention and the Berne convention. No part of this document may be reproduced or transmitted in any form or by any means, electronic or mechanical, including photocopying or recording, or by any information storage or retrieval system, without the express written permission of Agri-Fab, Inc. Unauthorized uses and/or reproductions of this manual will subject such unauthorized user to civil and criminal penalties as provided by the United States Copyright Laws.