

45-03037

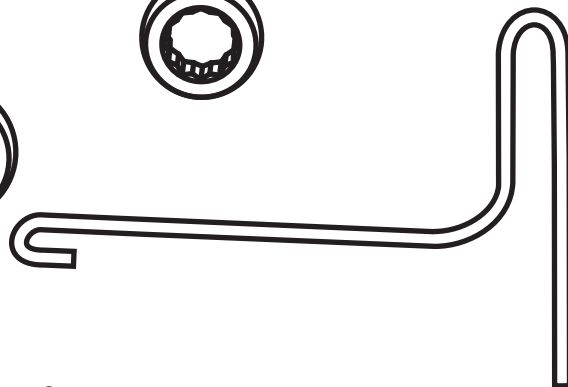
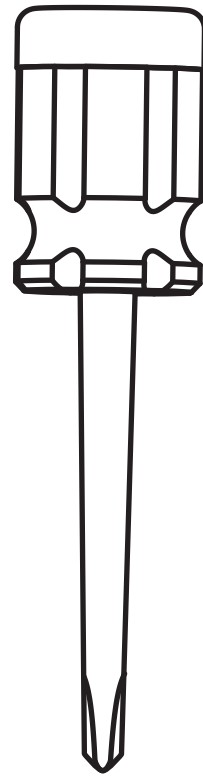
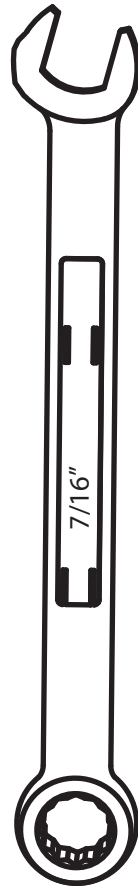
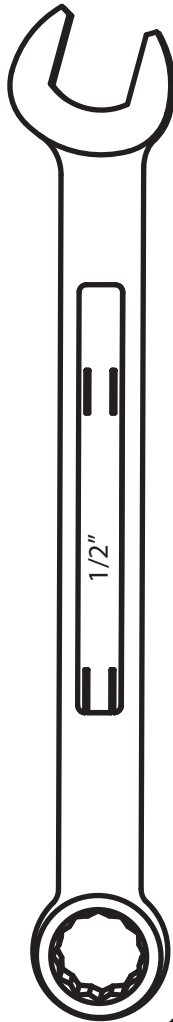
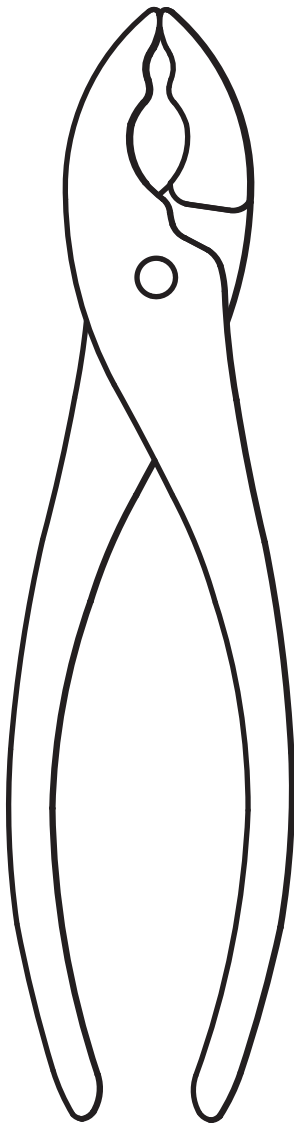
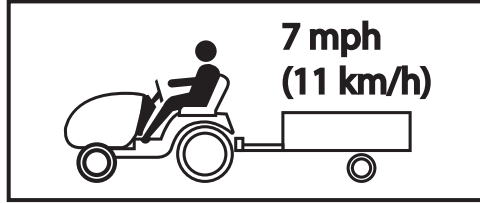
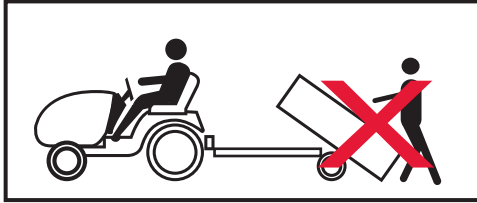
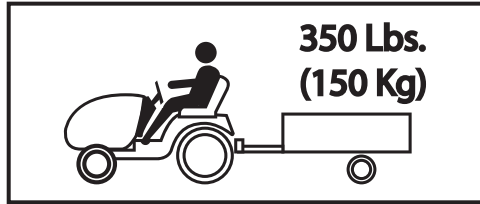
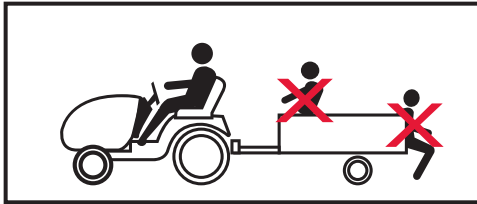
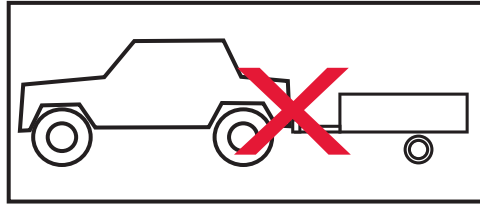
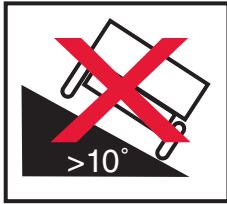
967 02 71-01

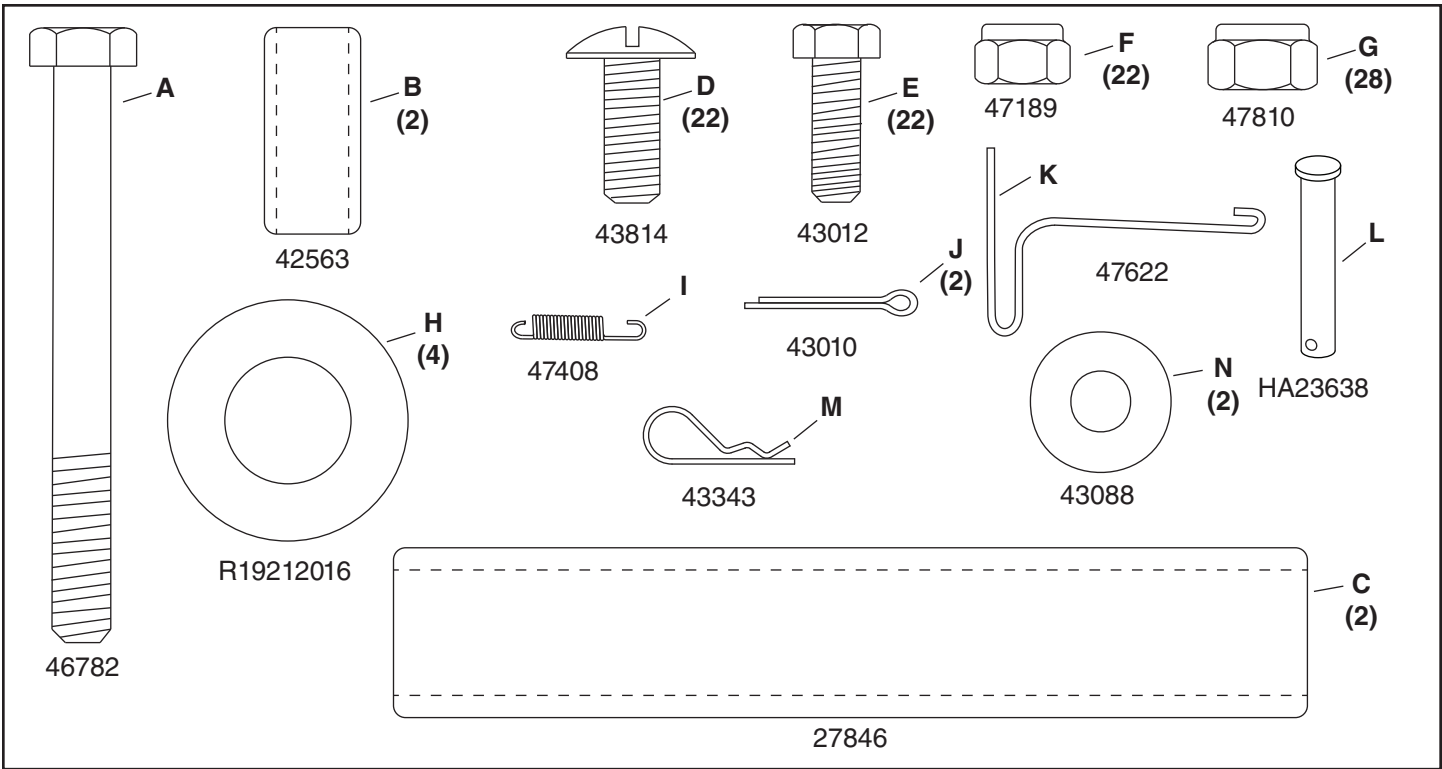
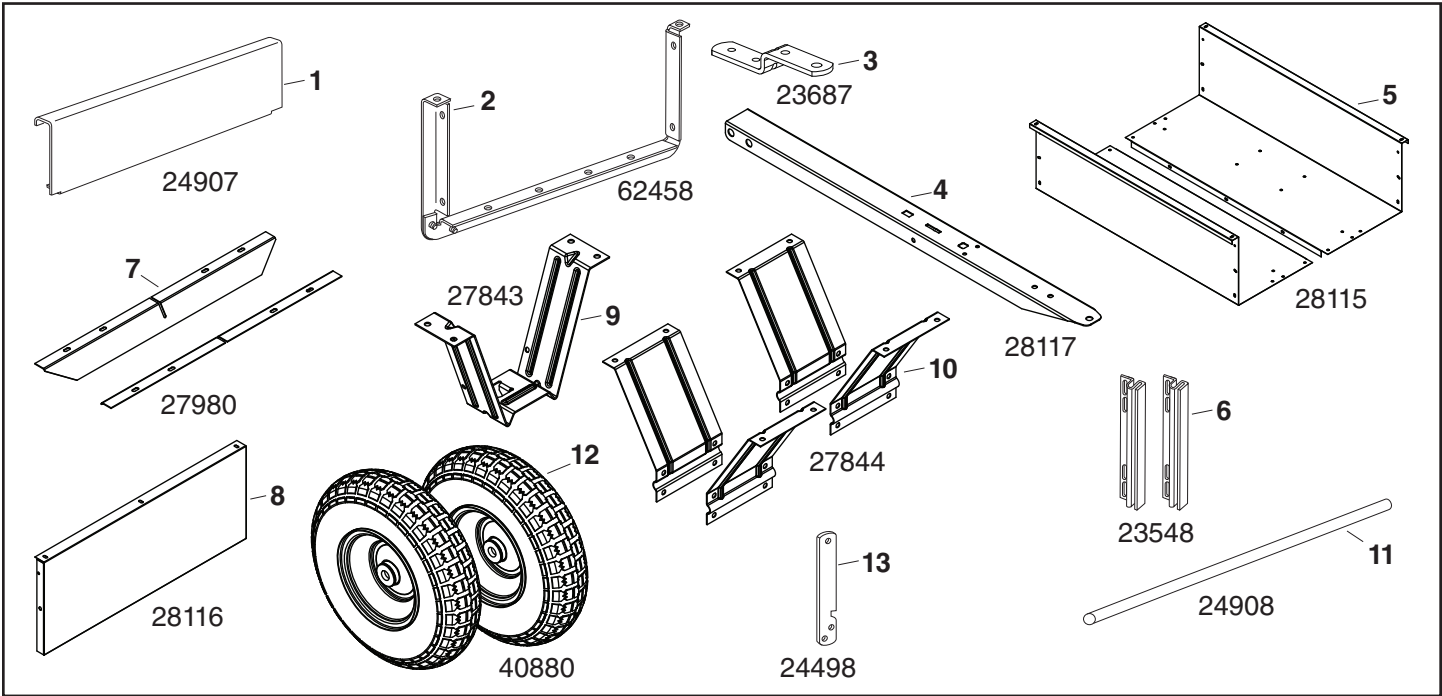
Want more information or assembly tips?

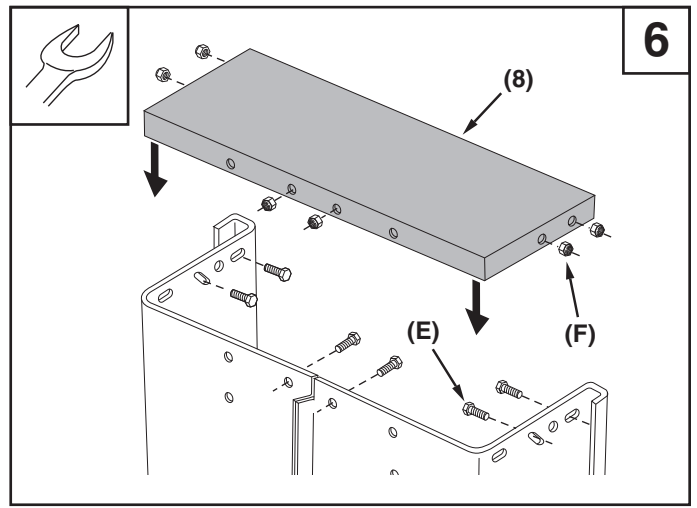
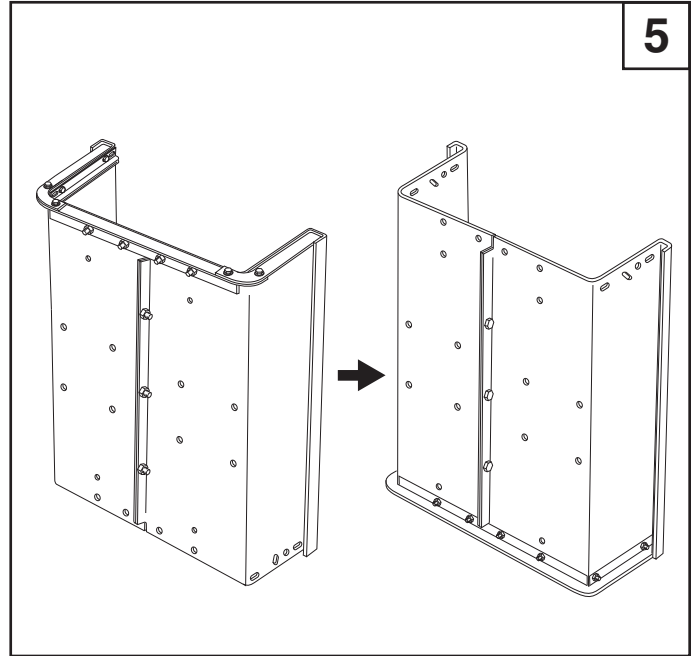
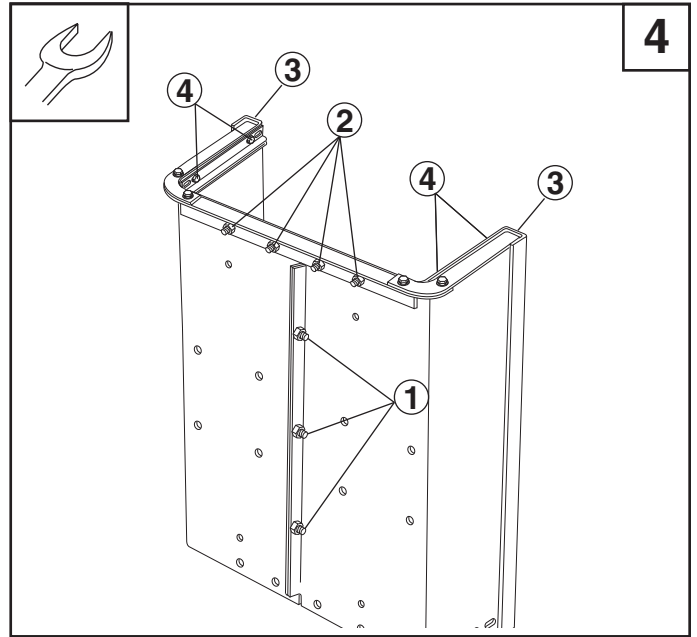
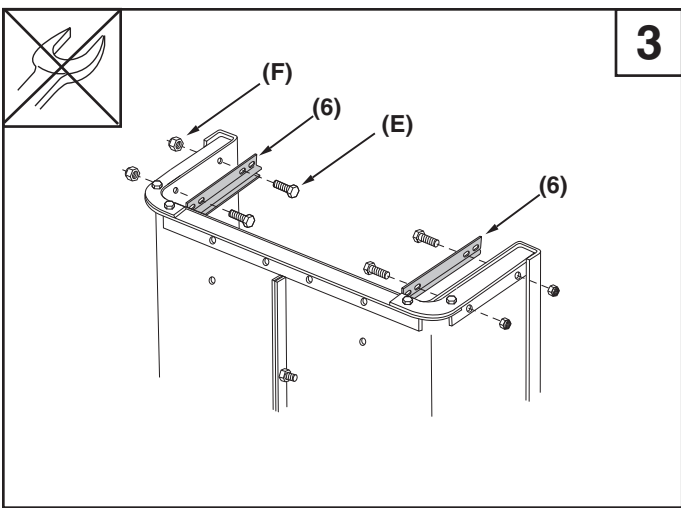
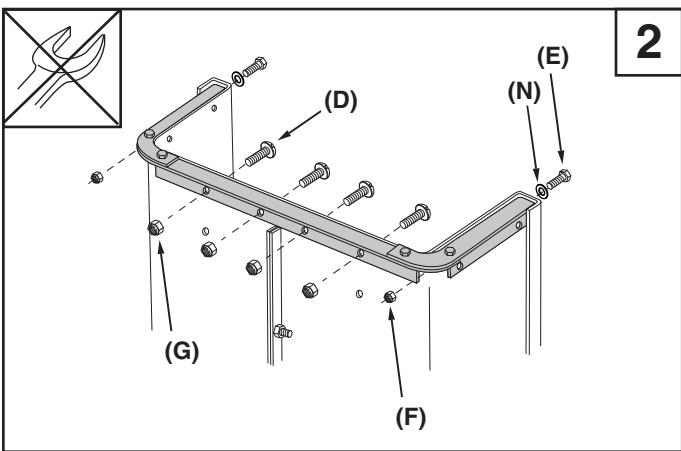
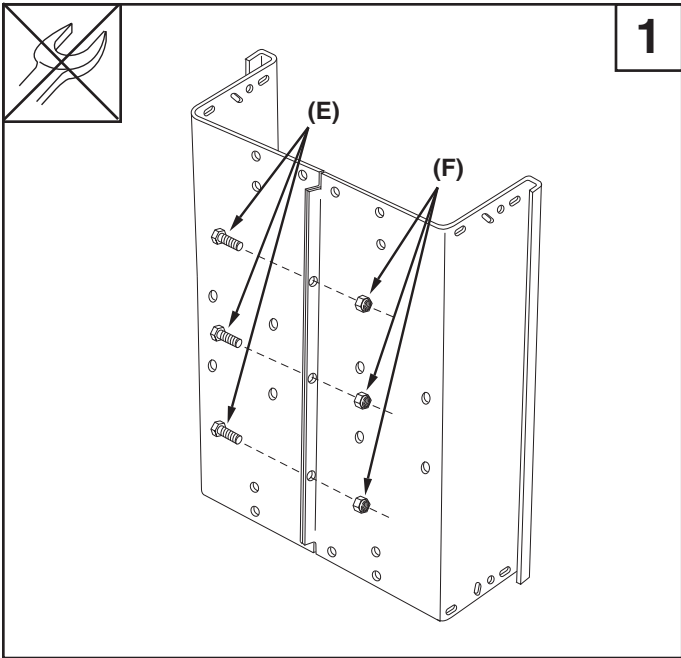


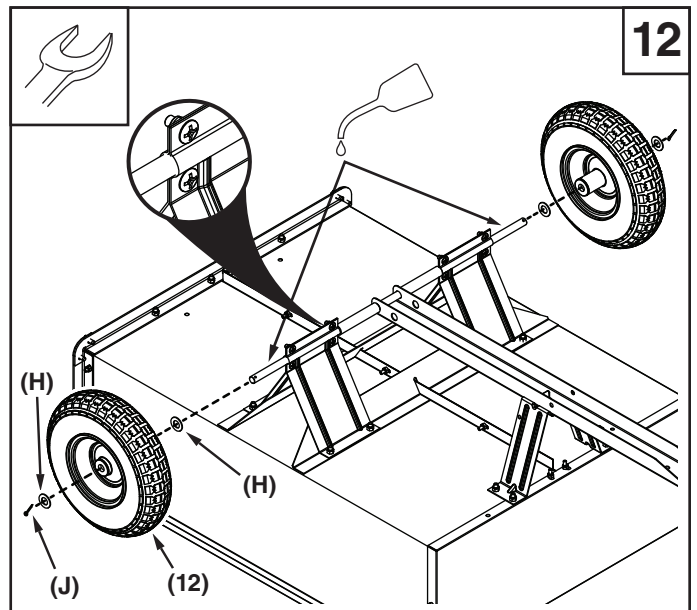
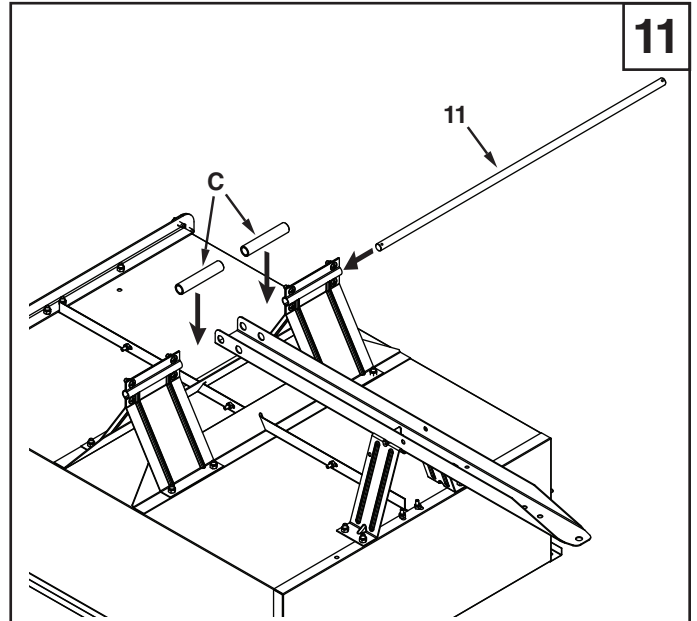
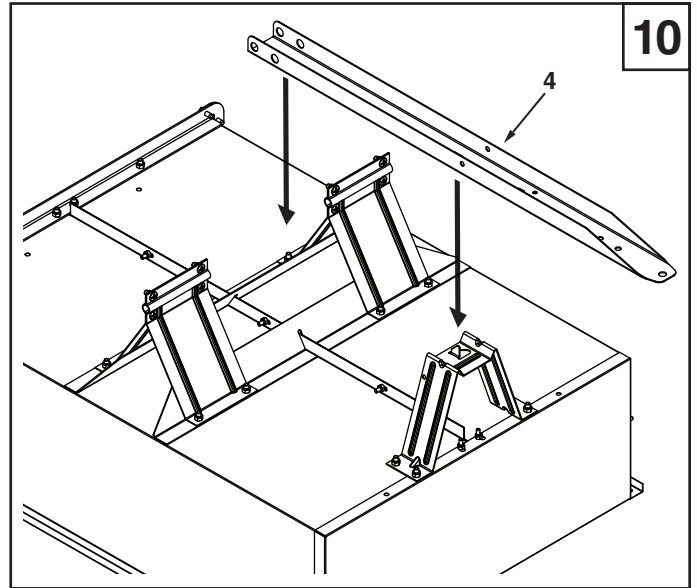
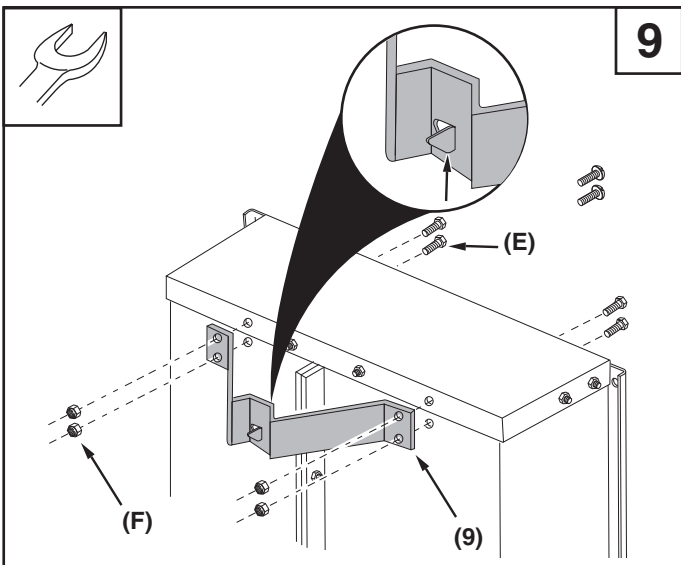
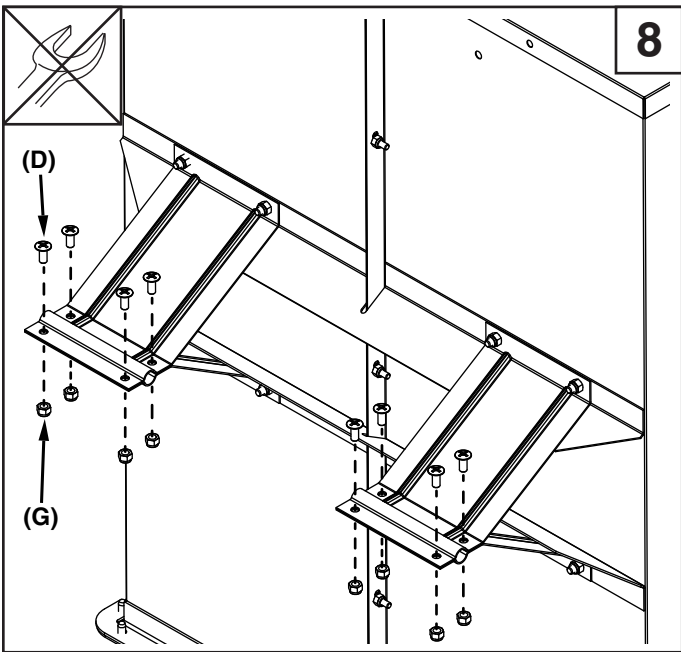
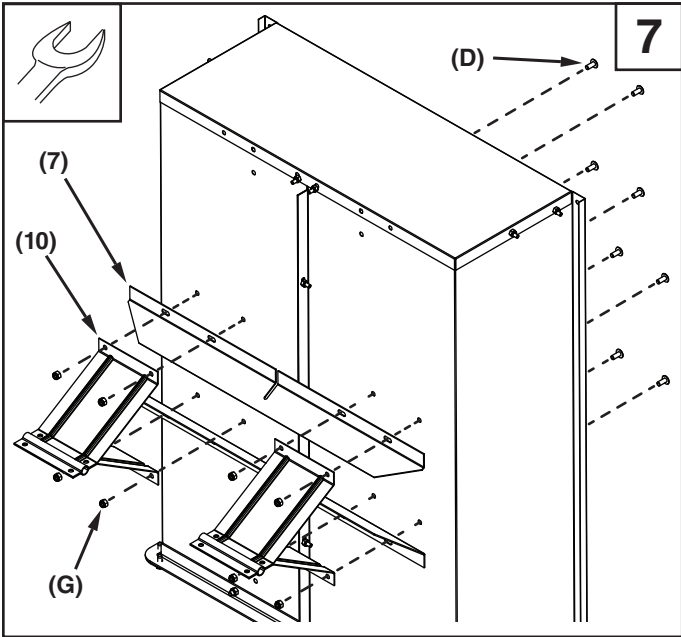
**Video
Instruction
Guide**

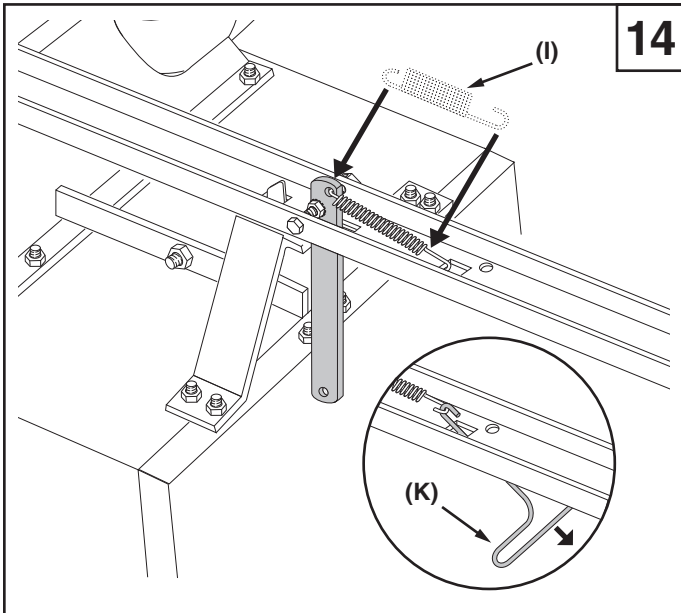
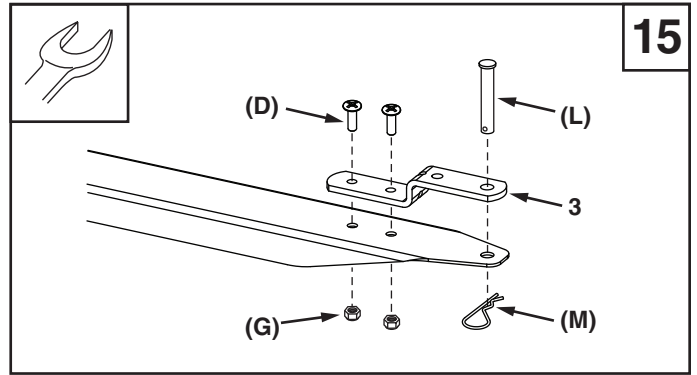
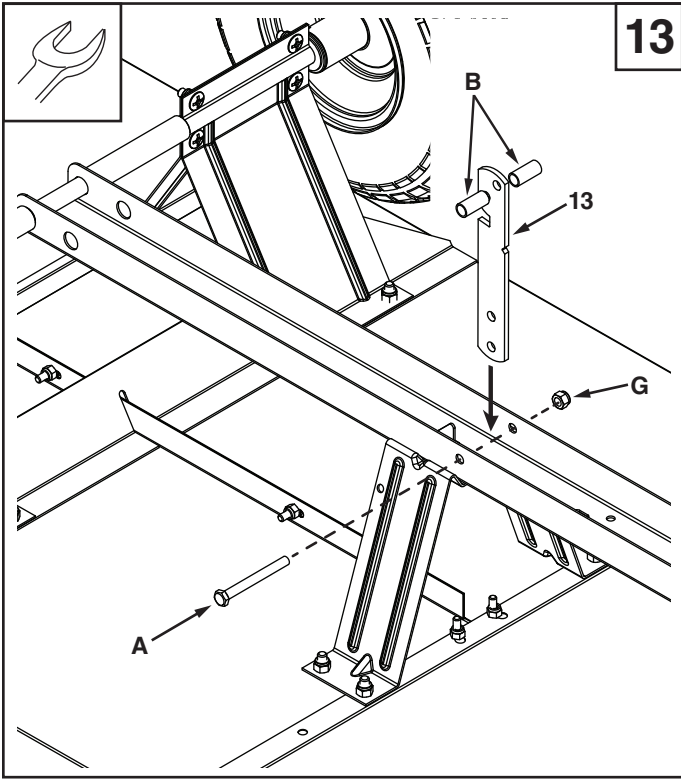
[youtube.com/c/agrifab](https://www.youtube.com/c/agrifab)



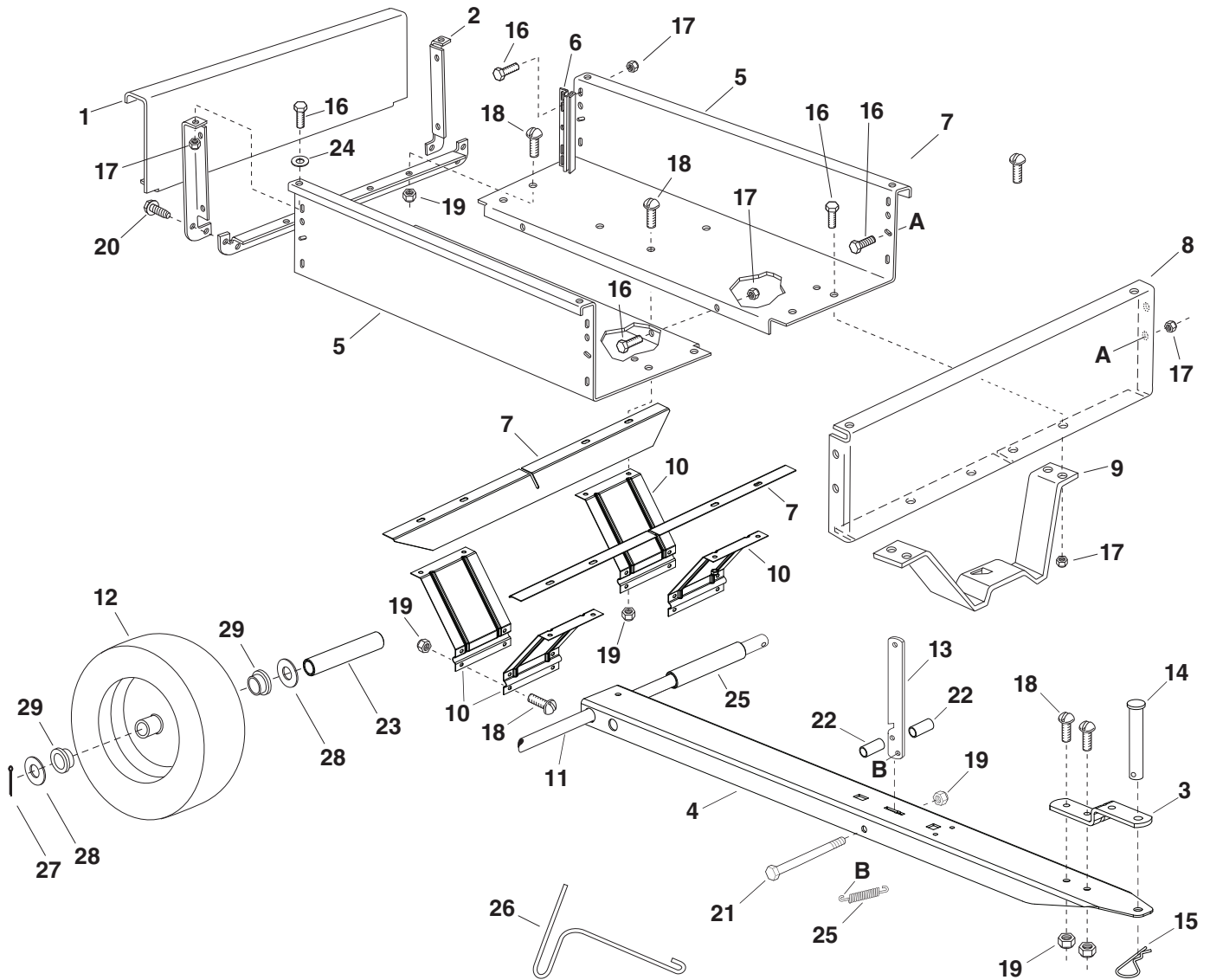








45-03037 / 967 02 71-01



REF.	PART NO.	QTY.	DESCRIPTION	REF.	PART NO.	QTY.	DESCRIPTION
1	24907	1	Tailgate	16	43012	22	Hex Bolt, 1/4-20 x 3/4"
2	62458	1	Tailgate Reinforcement Bracket	17	47189	22	Nylock Nut, 1/4-20
3	23687	1	Hitch Bracket	18	43814	22	Slit. Truss Hd. Bolt, 5/16-18 x 3/4"
4	28117	1	Draw Bar Tongue	19	47810	28	Nylock Nut, 5/16-18
5	28115	2	Cart Body	20	47630	4	Bolt, Self Tapping 5/16-18 x 3/4"
6	23548	2	Guide, Tailgate	21	46782	1	Hex Bolt, 5/16-18 x 3"
7	27980	2	Bed Support	22	42563	2	Spacer, 0.375" x 0.5" x 1"
8	28116	1	Front Panel	23	27846	2	Spacer, 0.65" x 0.88" x 4.75"
9	27843	1	Latch Stand Bracket	24	43088	2	Washer, 1/4"
10	27844	4	Wheel Support	25	47408	1	Extension Spring
11	24908	1	Axle	26	47622	1	Spring Puller Tool
12	40880	2	Wheel	27	43010	2	Cotter Pin, 1/8" x 1-1/4"
13	24498	1	Latch Lock Lever	28	R19212016	4	Washer, .656" x 1.25" x .059"
14	HA23638	1	Hitch Pin	29	40880 BRG	4	Wheel Bearing (included in wheel)
15	43343	1	Hair Cotter Pin, 1/8" (#4)		41075	1	Owner's Manual

SpeedEPart *the fastest way to purchase parts* www.speedepart.com

REPAIR PARTS

Agri-Fab, Inc.
303 West Raymond
Sullivan, IL. 61951
217-728-8388
www.agri-fab.com

This document (or manual) is protected under the U.S. Copyright Laws and the copyright laws of foreign countries, pursuant to the Universal Copyright Convention and the Berne convention. No part of this document may be reproduced or transmitted in any form or by any means, electronic or mechanical, including photocopying or recording, or by any information storage or retrieval system, without the express written permission of Agri-Fab, Inc. Unauthorized uses and/or reproductions of this manual will subject such unauthorized user to civil and criminal penalties as provided by the United States Copyright Laws.