



**OWNERS MANUAL
MANUAL DEL USUARIO
NOTICE D'UTILISATION**

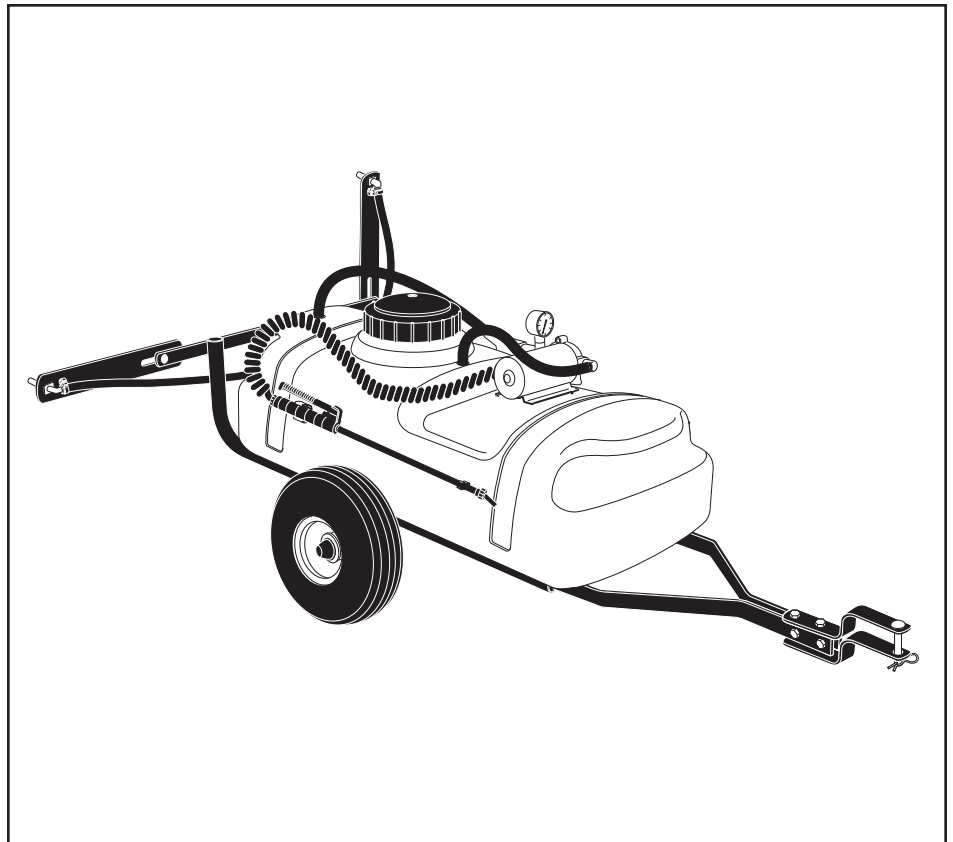
**Model No.
Modelo No.
Modèle No.**

45-02922

CAUTION:
Read Rules for Safe
Operation and
Instructions Carefully

PRECAUCION:
Lea cuidadosamente
los Procedimientos e
Instrucciones para la
Operación Segura de la
Máquina.

ATTENTION:
Lire et suivre attentivement
les instructions et consignes
de sécurité de cette notice.



**15 GALLON "PRO" TOW SPRAYER
ROCIADOR REMOLCABLE TIPO "PRO" DE 15 GALONES
EPANDEUR-REMORQUE PROFESSIONNEL DE 15 GALLONS**

- Safety
- Assembly
- Operation
- Maintenance
- Parts
- Seguridad
- Montaje
- Operación
- Mantenimiento
- Piezas de Repuesto
- Sécurité
- Assemblage
- Fonctionnement
- Maintenance
- Pièces de Rechange

SpeedEPart *the fastest way to purchase parts* www.speedepart.com

RULES FOR SAFE OPERATION

Any power equipment can cause injury if operated improperly or if the user does not understand how to operate the equipment. Exercise caution at all times when operating equipment.

1. Read this owners manual carefully before attempting to assemble or operate this sprayer.
2. Read your vehicle owners manual for operating and safety rules before using this equipment.
3. Never allow children to operate this sprayer, and do not allow adults to operate without proper instructions.
4. Do not allow anyone to ride on or sit on this sprayer. Do not allow passengers on the towing vehicle.
5. Keep the area of operation clear of all persons, particularly small children. Also keep area clear of pets.
6. Read the chemical label carefully for instructions and caution notes on handling and mixing of chemicals.
7. Wear eye and hand protection and wear protective clothing when handling and applying lawn chemicals.
8. Do not spray on windy days.
9. Attachment of this sprayer may affect your tractor's braking and stability. Be aware of your tractor's capabilities. Refer to the safety rules in the vehicle owner's manual concerning safe operation on slopes. Be aware of changing conditions on slopes. **STAY OFF OF STEEP SLOPES.**
10. Operate at reduced speed on rough terrain, along ditches and on hillsides to prevent loss of control.
11. Follow maintenance and lubrication instructions as outlined in this manual.

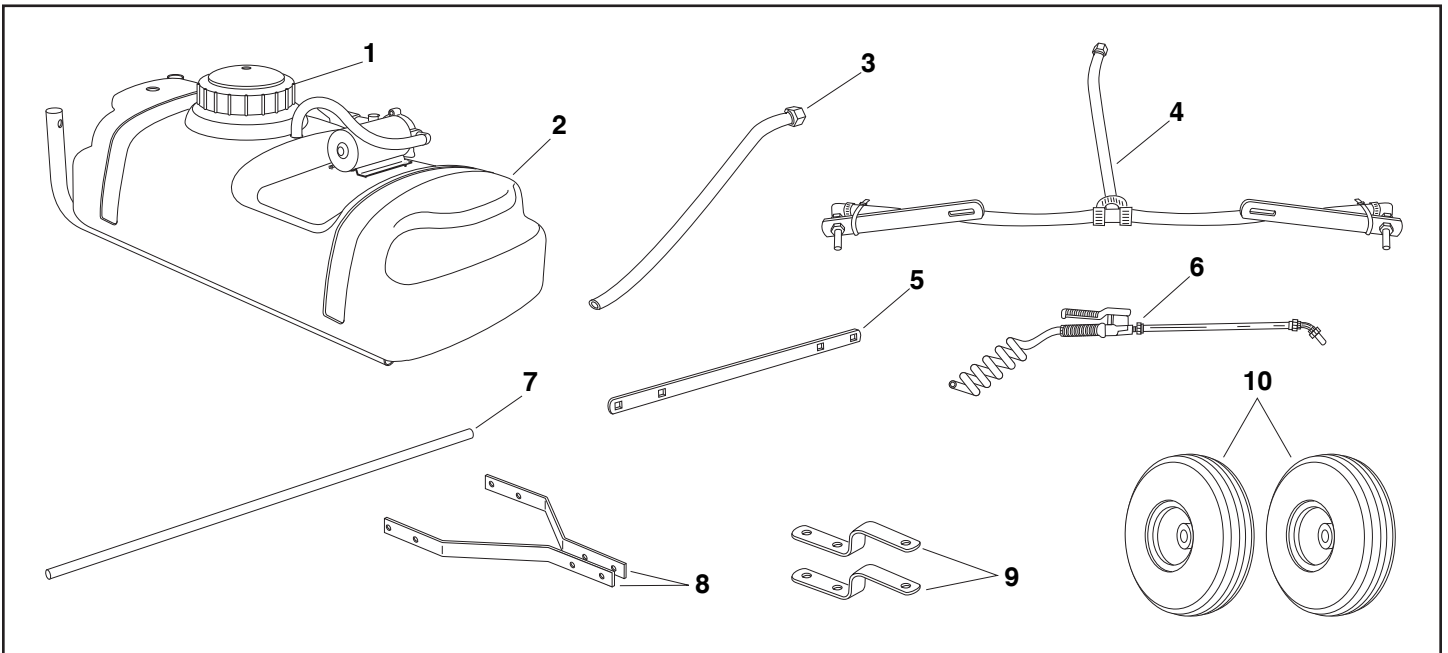


LOOK FOR THIS SYMBOL TO POINT OUT IMPORTANT SAFETY PRECAUTIONS. IT MEANS — ATTENTION! BECOME ALERT! YOUR SAFETY IS INVOLVED.

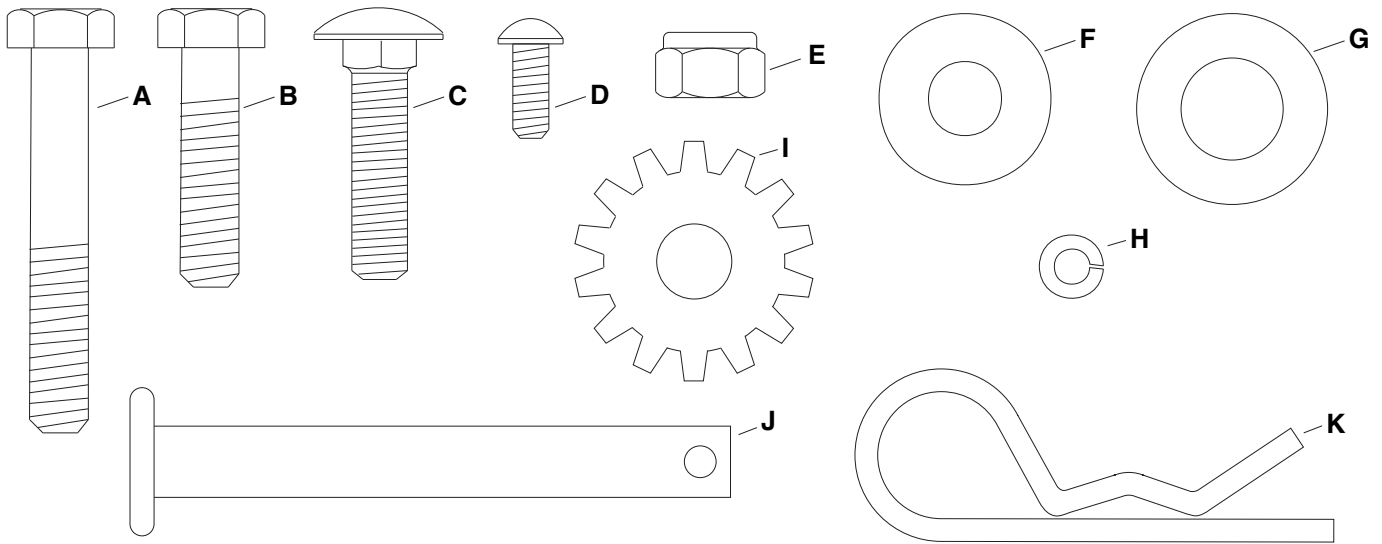
CARTON CONTENTS

LOOSE PARTS IN CARTON

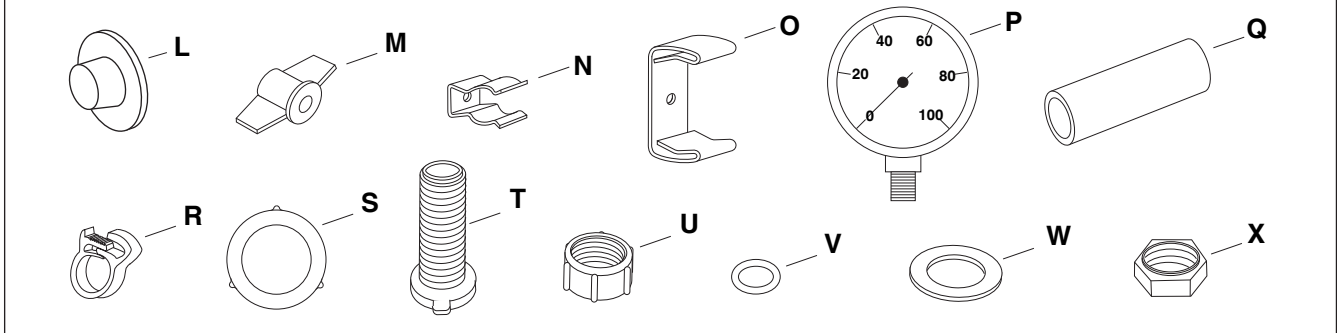
- | | |
|--|-----------------------|
| 1. Lid | 6. Spray Gun Assembly |
| 2. Tank with Frame Tubes | 7. Axle |
| 3. Return/Bypass Hose (may be assembled to tank) | 8. Hitch Arms (2) |
| 4. Boom Assembly | 9. Hitch Brackets (2) |
| 5. Boom Mount Bracket | 10. Wheels (2) |



SHOWN FULL SIZE



NOT SHOWN FULL SIZE



HARDWARE PACKAGE - FULL SIZE

KEY	QTY.	DESCRIPTION	KEY	QTY.	DESCRIPTION
A	8	Hex Bolt, 5/16" x 2"	M	2	Knob
B	2	Hex Bolt, 5/16" x 1-1/4"	N	1	Spray Gun Clip, Small
C	2	Carriage Bolt, 5/16" x 1-1/4"	O	1	Spray Gun Clip, Large
D	2	Screw, #10 x 1/2"	P	1	Pressure Gauge
E	10	Nylock nut, 5/16"	Q	2	Spacer
F	2	Flat Washer, 5/16"	R	1	Hose Clamp, 1/4"
G	6	Flat Washer, 1/2"	S	3	Gasket, 3/4" Garden Hose
H	2	Lock Washer, #10	T	1	Drain Body
I	2	Washer, 5/16" Tooth Lock	U	1	Nylon Cap
J	1	Hitch Pin	V	1	O-Ring
K	1	Hair Cotter Pin	W	1	Nylon Washer
L	2	Palnut	X	1	Nylon Nut

ASSEMBLY INSTRUCTIONS

TOOLS REQUIRED FOR ASSEMBLY

- (2) 1/2" Wrenches
- (1) Screwdriver
- (1) Pliers
- (1) Hammer

1. Remove all items from carton and lay out as shown on pages 2 and 3.
2. Assemble the axle through the holes in the frame tubes. You may need to slightly loosen the bolts in the frame tubes to make the axle fit. Retighten the bolts only enough to flatten the lockwashers. See figure 1.
3. Assemble a 1/2" flat washer, a spacer, a second 1/2" flat washer, a wheel (valve stem facing out) and a third 1/2" flat washer onto the axle. Lightly tap a palnut onto the end of the axle. Repeat on other end of axle. See figure 1.

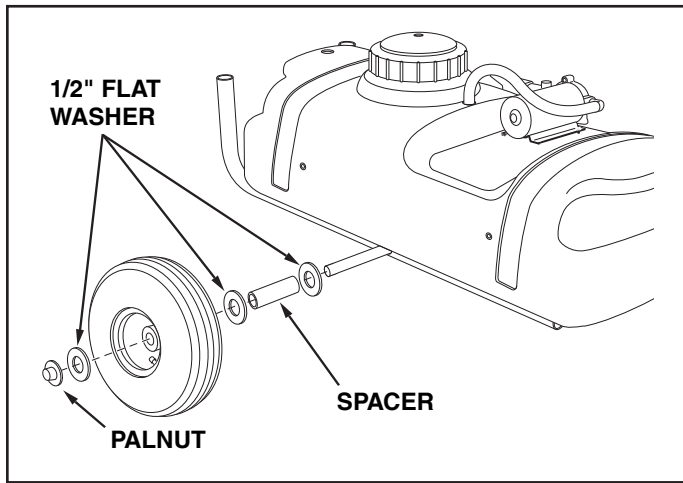


FIGURE 1

4. Assemble a hitch arm to the inside of a frame tube underneath the tank. Use two 5/16" x 2" hex bolts and 5/16" nylock nuts as shown in figure 2. **Do not tighten yet.** Repeat for other side.

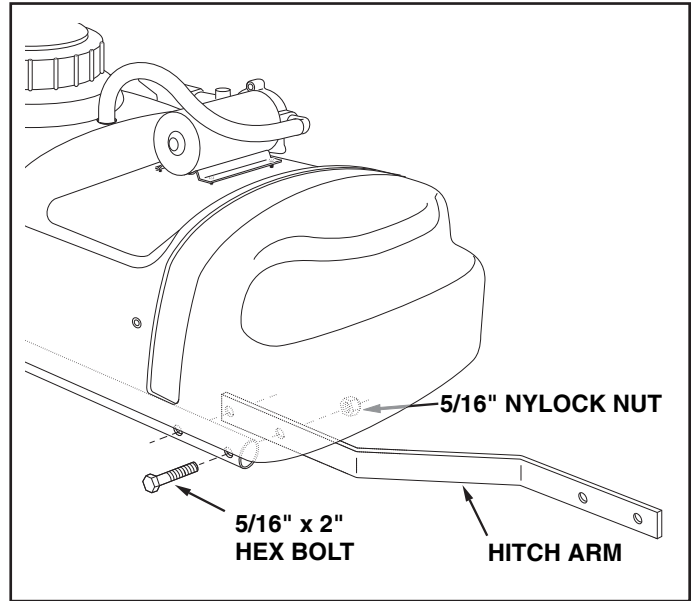


FIGURE 2

5. Fasten the ends of the hitch arms together using two 5/16" x 1-1/4" hex bolts and 5/16" nylock nuts. **Do not tighten yet.** See figure 3.
6. Assemble the hitch brackets to the hitch arms using two 5/16" x 2" hex bolts and 5/16" nylock nuts. Position each bolt behind one of the cross bolts in the hitch arms. **Do not tighten yet.** See figure 3.

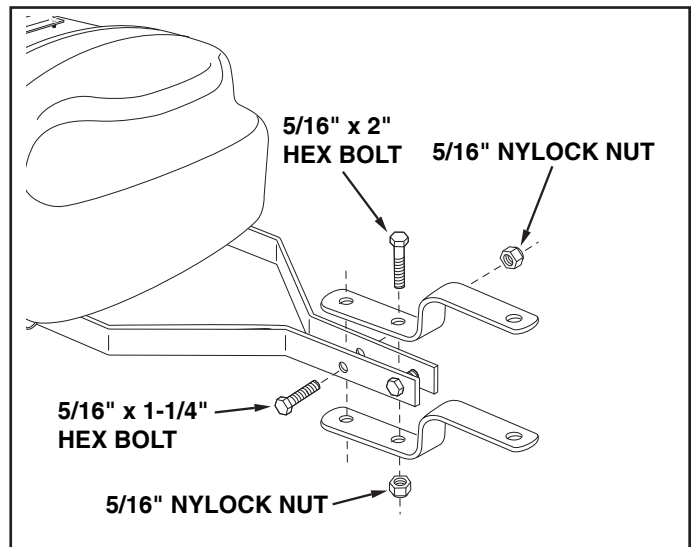


FIGURE 3

ENGLISH

- At this time **tighten all bolts** starting with the bolts in figure 2, then the bolts in figure 3.
- Install the drain in the rear of the tank as shown in figure 4. Place a 3/4" garden hose gasket onto the drain body and insert the drain body out through the hole in rear of the tank. Outside the tank, assemble the nylon washer, then the nylon nut onto the drain body. Tighten the nut securely enough to prevent leaking, being careful not to damage the plastic parts. Place the O-ring inside the nylon cap and screw the cap onto the end of the drain body. See figure 4.

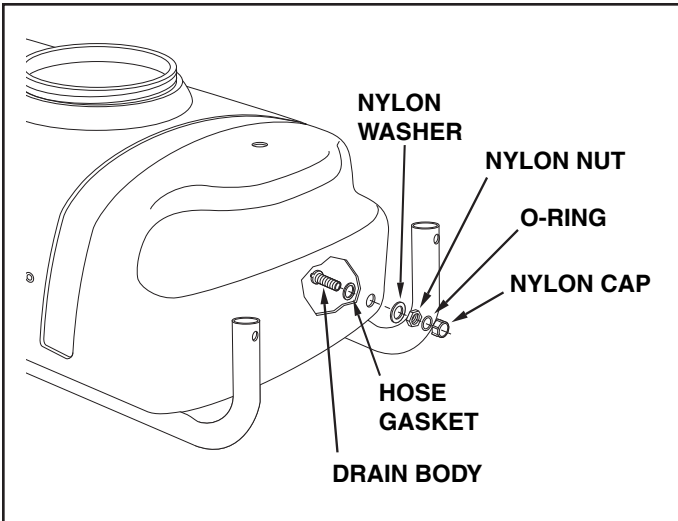


FIGURE 4

- Assemble the boom mount bracket to the rear of the hitch tubes using two 5/16" x 2" hex bolts and 5/16" nylock nuts. See figure 5.

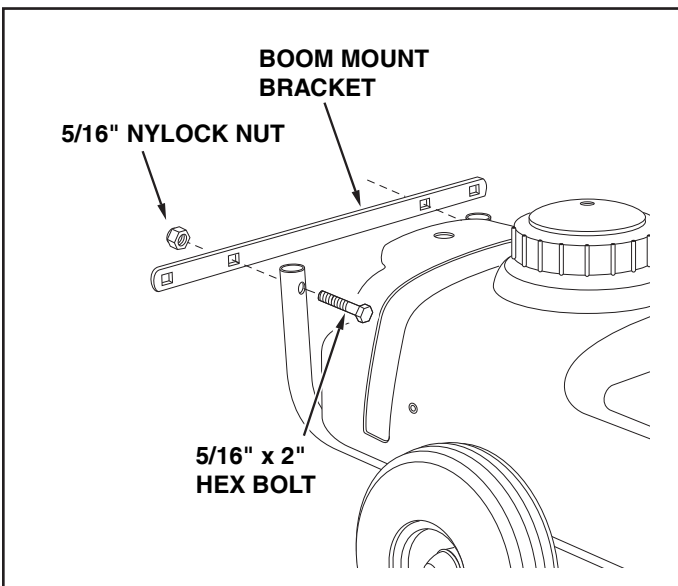


FIGURE 5

- Assemble the boom bars to the boom mount bracket using two 5/16" x 1-1/4" carriage bolts, tooth lock washers (between the bar and bracket), 5/16" flat washers and knobs. The boom connecting hose should extend upward. See figure 6.

NOTE: Make sure the nozzle openings face straight down when the boom bars are in the horizontal operating position.

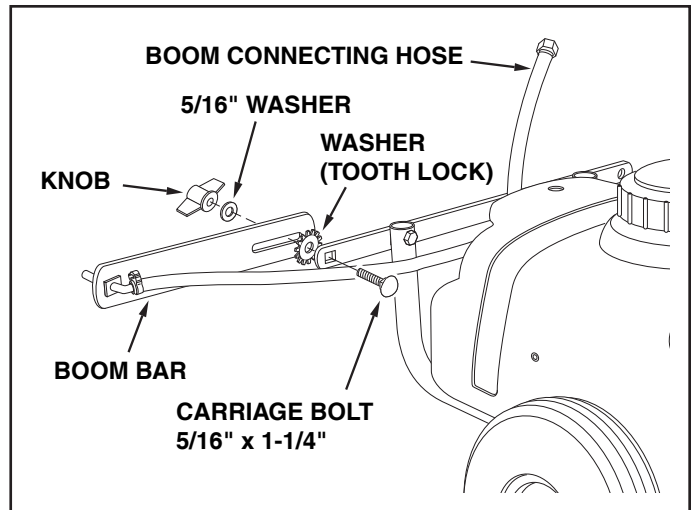


FIGURE 6

- Assemble the large and small spray gun clips to the side of the tank using two #10 x 1/2" screws and #10 lock washers. See figure 7.

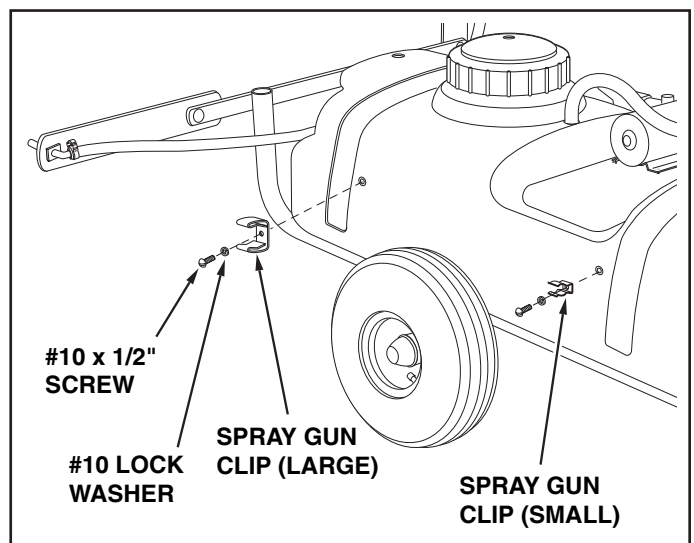


FIGURE 7

VIEWED FROM REAR

ENGLISH

12. Insert a garden hose gasket into the swivel nut on the bypass/return hose. Screw the nut onto the upper outlet of the "Y" valve fitting. Place the other end of the hose down through the hole at the rear of the tank. See figure 8.
13. Insert a garden hose gasket into the swivel nut on the boom connecting hose. Screw the nut onto the lower outlet of the "Y" valve fitting. See figure 8.
14. Slide the coiled hose clamp onto the spray gun hose. Push the hose onto the hose adapter on the side of the "T" fitting as shown in figure 8. Tighten the clamp around the hose and the adapter. Snap the spray gun into the clips on the side of the tank.
15. Carefully screw the pressure gauge into the top of the "T" fitting. See figure 8.

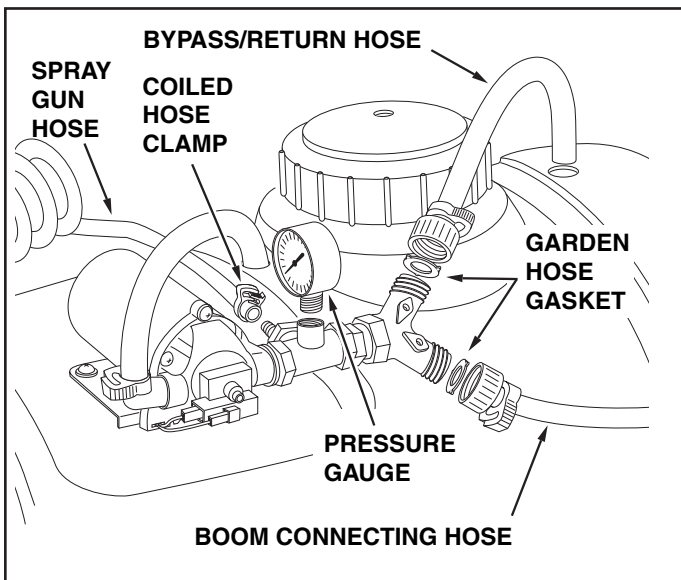


FIGURE 8

16. Attach the sprayer to the tractor hitch and connect the wiring to the tractor battery. The red wire must be connected to the positive post on the battery or to the "HOT" connection on a tractor switch or ammeter. The brown wire may be grounded or connected to the negative battery post. See figures 9 and 10.

IMPORTANT: This sprayer should be connected to 12 volt batteries only!

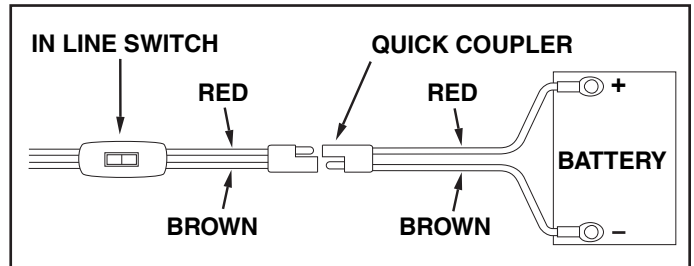


FIGURE 9

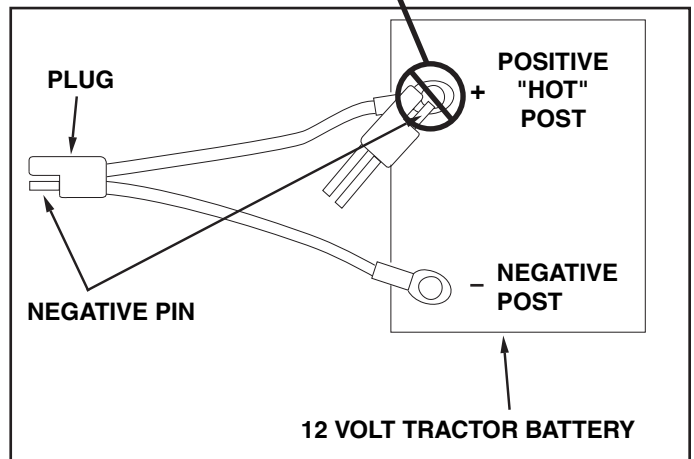
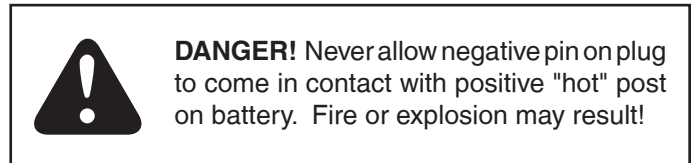


FIGURE 10

OPERATION

BEFORE STARTING

It is important to test the boom and spray gun with plain water before using chemicals. This will enable you to check the sprayer for leaks and to set the spray pattern and nozzle pressure. If a leak should occur, thread tape may be used to better seal the fitting.

ON-OFF SWITCH

This switch is connected in line to the wiring assembly and is used by the operator to turn the pump motor on or off.

PUMP PRESSURE SWITCH

The pump is equipped with a pressure switch. The pressure switch senses outlet pressure of the pump and will turn off the electrical power to the pump at a predetermined high pressure point (60 PSI). If the flow demand is very low, the pump may reach this high pressure point and the switch will cause "cycling" (the pump cycles on and off rapidly). This is not a problem unless the pump is subject to continuous cycling within one second intervals for long periods of time.

ADJUSTING OPERATING PRESSURE

The sprayer is equipped with a "Y" fitting containing a bypass valve and a boom valve. The bypass valve controls the flow to the return (bypass) hose. The amount of flow through the return hose determines the operating pressure when the boom or the spray gun is in use. Adjust the bypass valve while either the boom or the spray gun is in use to obtain the desired pressure, indicated by the pressure gauge. The tip chart on page 9 shows how different pressure settings affect boom application rates.

ON-OFF ADJUSTMENT OF BOOM NOZZLES

The boom valve on the "Y" fitting controls flow to the boom nozzles. It should be either completely open or completely closed. The boom operating pressure can be controlled using the bypass valve on the "Y" fitting.

ADJUSTING SPRAY GUN NOZZLE

Turn the nozzle on the spray gun to adjust the spray from a cone shaped fine mist to a straight stream. Control the spray gun operating pressure with the bypass valve on the "Y" fitting. Maximum spray gun pressure can be attained when the boom is shut off.

SETTING THE BOOM FOR SPRAYING

The correct positioning of the boom places the nozzles approximately 40" apart and 14" above the ground. This gives a spray width of approximately 80" with a slight center overlap. See figure 11.

- Slide the boom bars out to the ends of the slots.
- Swivel the boom bars until the nozzles are approximately 14" above the ground.
- Make sure the nozzles are adjusted so that the openings point straight down.

USING THE SPRAYER

- Determine the application rate (gallons per 1,000 sq. feet or gallons per acre) based on the chemical manufacturers recommendations. Use this rate to help select the pressure setting and tractor speed in the following instructions.
- Determine the approximate square footage of the area to be sprayed and estimate the number of gallons required. This can help avoid unneeded solution left in the tank.
- Determine the appropriate speed at which to travel, based on the chosen pressure setting and the recommended application rate. Use the tip chart on page 9.
- To determine the throttle setting for attaining the appropriate speed, mark off 100, 200 and 300 feet intervals. The speed chart at the bottom of page 9 indicates the number of seconds it takes to travel these distances. Set the throttle and, with a running start, travel the distances in the number of seconds indicated by the speed chart. Once you have determined the throttle and gear settings needed, mark the throttle location so that you can easily resume the same speed after stopping.
- Set the operating pressure. Spray with plain water to help determine the best setting. For best results stay in the 20 to 30 PSI range. (At 10 PSI the spray pattern begins to break up, at 40 PSI some drift develops.) Refer to the tip chart on page 9.
- Add the chemical solution to the tank, following the product instructions.
- Drive to the starting place for spraying. Set the boom in position for spraying. Set the throttle at the position determined in step 4. Flip the sprayer's in-line switch to the "ON" position to start spraying.
- Stay clear of flowers, shrubs and evergreen trees when spraying weed control solutions to prevent contact of the solution with these sensitive plants.

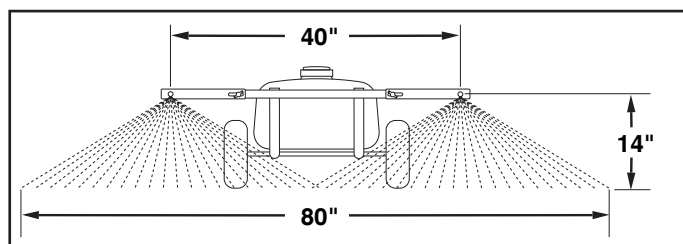
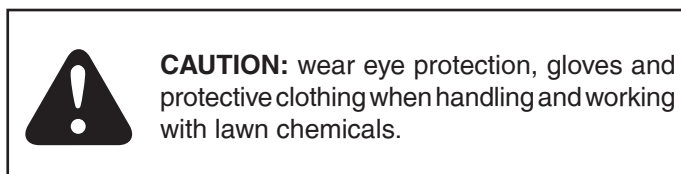


FIGURE 11

MAINTENANCE

1. Do not store sprayer with any solution left in tank.
2. Periodically clean the strainer in the end of the intake hose at the bottom of the tank. Remove the nylon swivel nut from the hose, pull out the screen and flush it with clear water.
3. Periodically clean the strainers in the boom nozzles. Remove the nozzle, pull out the screen and flush it with clear water.

AFTER EACH USE

4. After use, fill the sprayer part way with water, start the sprayer and allow clear water to be pumped through the plumbing system and out through the boom assembly and the handgun. Use the handgun to thoroughly wash all internal parts of the tank, the outside of the tank and the boom.
5. Refill the tank about half full with plain water and a chemical neutralizer and repeat the cleaning instructions above. Flush the entire sprayer with the neutralizing agent. Follow the chemical manufacturers instructions for disposal of all wash or rinsing water.

ATTENTION!

Do not allow chemicals to sit in pump for extended times of idleness. Some chemicals will damage the pump valve if allowed to soak untreated for a length of time. Always flush the pump with water after each use. Follow the procedures in the AFTER EACH USE instructions for flushing and disposal.

WINTER STORAGE

6. Drain all water out of the sprayer, paying special attention to the pump and handgun. These items are especially prone to damage from chemicals and freezing weather.
7. The sprayer should be winterized before storage by pumping a 50-50 solution of water and R. V. antifreeze through the entire plumbing. Proper care and maintenance will prolong the life of the sprayer.

ENGLISH

U.S. GALLON TIP CHART

Tip No.	Spray Height Inches	Pressure PSI	Tip Capacity US Gallons Per Minute	GALLONS PER ACRE (BASED ON WATER)						
				1 MPH	2 MPH	3 MPH	4 MPH	5 MPH	7.5 MPH	10 MPH
		10	.30	44.2	22.1	14.8	11.1	8.9	5.9	4.4
#3	13"	20	.42	63	31.5	20.9	15.7	12.6	8.4	6.3
		30	.52	76.8	38.4	25.8	19.3	15.4	10.3	7.7
Tip No.	Spray Height Inches	Pressure PSI	Tip Capacity US Gallons Per Minute	GALLONS PER 1000 SQ. FT. (BASED ON WATER)						
				1 MPH	2 MPH	3 MPH	4 MPH	5 MPH	7.5 MPH	10 MPH
		10	.30	1.0	0.50	0.34	0.26	0.20	0.14	0.10
#3	13"	20	.42	1.4	0.72	0.48	0.35	0.29	0.19	0.14
		30	.52	1.8	0.88	0.59	0.44	0.35	0.24	0.18

IMPERIAL GALLON (LITER) TIP CHART

Tip No.	Spray Height Inches (mm)	Pressure PSI (Bar)	Tip Capacity Imperial Gallons per minute (liters per minute)	IMPERIAL GALLONS (Liters) PER ACRE (BASED ON WATER)						
				1 MPH 1.6 K/H	2 MPH 3.2 K/H	3 MPH 4.8 K/H	4 MPH 6.4 K/H	5 MPH 8 K/H	7.5 MPH 12 K/H	10 MPH 16 K/H
		10 (0.7)	.25 (1.135)	36.8 (167.3)	18.4 (83.6)	12.3 (56.0)	9.2 (42.0)	7.4 (33.7)	4.9 (22.3)	3.7 (16.7)
#3	13" (330 mm)	20 (1.4)	.35 (1.59)	52.5 (238.5)	26.2 (119.2)	17.4 (79.1)	13.1 (59.4)	10.5 (47.7)	7.0 (31.8)	5.2 (23.8)
		30 (2.1)	.433 (1.97)	64.0 (290.7)	32.0 (145.3)	21.5 (97.7)	16.1 (73.1)	12.8 (58.3)	8.6 (39.0)	6.4 (29.1)
Tip No.	Spray Height Inches (mm)	Pressure PSI (Bar)	Tip Capacity Imperial Gallons per minute (liters per minute)	IMPERIAL GALLONS (Liters) PER 1000 SQ. FT. (BASED ON WATER)						
				1 MPH 1.6 K/H	2 MPH 3.2 K/H	3 MPH 4.8 K/H	4 MPH 6.4 K/H	5 MPH 8 K/H	7.5 MPH 12 K/H	10 MPH 16 K/H
		10 (0.7)	.25 (1.135)	0.85 (3.85)	0.42 (1.92)	0.28 (1.29)	0.21 (0.97)	0.17 (0.77)	0.11 (0.51)	0.08 (0.38)
#3	13" (330 mm)	20 (1.4)	.35 (1.59)	1.21 (5.48)	0.60 (2.74)	0.40 (1.82)	0.30 (1.37)	0.24 (1.10)	0.16 (0.73)	0.12 (0.55)
		30 (2.1)	.433 (1.97)	1.47 (6.68)	0.74 (3.34)	0.49 (2.24)	0.37 (1.68)	0.29 (1.34)	0.20 (0.90)	0.15 (0.67)

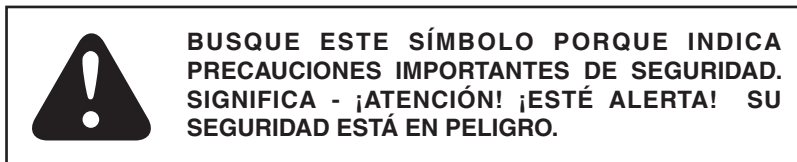
GROUND SPEED CHART

M.P.H. (K/H)	Time Required in Seconds to Travel a Distance of:		
	100 ft (30.5 M)	200 ft (61 M)	300 ft (91.5 M)
	1.0 (1.6)	68	136
2.0 (3.2)	34	68	102
3.0 (4.8)	23	45	68
4.0 (6.4)	17	34	51
5.0 (8.0)	14	27	41
6.0 (9.7)	11	23	34
7.0 (11.3)	9.7	19	29
8.0 (12.9)	8.5	17	26
9.0 (14.5)	7.6	15	23
10.0 (16.1)	6.8	14	20

REGLAS PARA UNA OPERACIÓN SEGURA

Cualquier equipo motriz puede causar lesiones si no se opera correctamente o si el usuario no entiende la forma de usar el equipo. Tenga siempre cuidado cuando usa un equipo motriz.

1. Lea este manual del propietario con mucho cuidado antes de tratar de armar u operar este rociador.
2. Lea el manual del propietario de su vehículo y todas las reglas de seguridad antes de usar este equipo.
3. Nunca permita que los niños operen este rociador ni permita tampoco que personas adultas operen el equipo sin las instrucciones necesarias.
4. No permita que nadie se monte ni se siente sobre este rociador. No permita tampoco que nadie se monte sobre el vehículo que lo emolca.
5. Mantenga el área de operación libre de personas, particularmente de niños pequeños. También mantenga el área libre de animales domésticos.
6. Lea la etiqueta del producto químico cuidadosamente, especialmente las instrucciones y notas de aviso acerca de la forma de manejar y mezclar las substancias químicas.
7. Use protección para sus ojos y sus manos, al igual que ropas protectoras, cuando maneje y aplique productos químicos para el césped.
8. No rocíe en los días con mucho viento.
9. El remolcar este rociador puede afectar la operación de los frenos y la estabilidad de su tractor. Conozca bien la capacidad de operación de su tractor. Consulte las reglas en el manual del propietario relacionadas con una operación segura del vehículo en áreas inclinadas. Esté atento a los cambios de condiciones en las áreas inclinadas. **NO OPERE SOBRE SUPERFICIES MUY INCLINADAS.**
10. Opere a velocidad reducida sobre terrenos muy ásperos, a lo largo de zanjas y sobre las laderas de lomas para evitar la pérdida de control.
11. Siga las instrucciones de mantenimiento indicadas en el manual del propietario



INSTRUCCIONES DE ENSAMBLAJE

HERRAMIENTAS REQUERIDAS PARA EL ENSAMBLAJE

- (2) Llaves de 1/2"
- (1) Destornillador
- (1) Alicates o tenazas pequeñas
- (1) Martillo

1. Saque todas las piezas de la caja y colóquelas como se muestra en las páginas 2 y 3.
2. Pase el eje a través de los agujeros grandes en los tubos de soporte del tanque. Si el eje no cabe, afloje ligeramente los tornillos en los tubos de soporte para alinear los agujeros. Vuelva a apretar los tornillos después de instalar el eje. Vea la figura 1.
3. Instale una arandela plana de 1/2" (G), un espaciador (Q), y otra arandela plana de 1/2" (G), una rueda (con la válvula de entrada de aire hacia fuera) y otra arandela plana de 1/2" (G) sobre el eje. Golpee ligeramente una tapa de cubo de rueda contra el extremo del eje. Repita el procedimiento para el otro extremo del eje. Vea la figura 1.
4. Instale un brazo de soporte del enganche en la parte interna de un tubo de soporte debajo del tanque. Use dos tornillos hexagonales de 5/16" x 2" (A) y tuercas hexagonales de 5/16" (E) como se muestra en la figura 2. No apriete estos herrajes todavía. Repita el procedimiento para el otro lado.
5. Asegure los extremos de los brazos del enganche usando dos tornillos hexagonales de 5/16" x 1-1/4" (B) y tuercas hexagonales de 5/16" (E). No los apriete todavía. Vea la figura 3.

6. Instale los soportes en los brazos del enganche usando dos tornillos hexagonales de 5/16" x 2" (A) y tuercas hexagonales de 5/16" (E). Coloque cada tornillo detrás de uno de los tornillos transversales en los brazos de enganche. No los apriete todavía. Vea la figura 3.
7. Ahora proceda a apretar todos los tornillos, comenzando con los tornillos en la figura 2 y entonces los tornillos en la figura 3.
8. Instale el drenaje (T) en la parte posterior del tanque, como se muestra en la figura 4. Coloque una manguera de jardín de 3/4" (S) sobre la pieza de drenaje e inserte esa pieza a través del agujero en la parte posterior del tanque. Fuera del tanque, instale la arandela de nilón (W) y entonces la tuerca de nilón (X) sobre la pieza de drenaje. Apriete bien la tuerca para evitar escapes, teniendo cuidado de no dañar las piezas plásticas. Coloque la junta anular (anillo en "O") (V) dentro de la tapa de nilón (U) y atornille la tapa sobre el extremo de la pieza de drenaje. Vea la figura 4.
9. Instale el brazo de montaje del aguilón en la parte posterior de los tubos del enganche, usando dos tornillos hexagonales de 5/16" x 2" (A) y tuercas hexagonales de 5/16" (E) Vea la figura 5.
10. Instale las barras del aguilón en el brazo de montaje usando dos tornillos de carruaje de 5/16" x 1-1/4" (C), arandelas dentadas de presión (I) (entre la barra y el brazo), arandelas planas de 5/16" (F) y perillas (M). La manguera que conecta con el aguilón debe extenderse hacia arriba. Vea la figura 6.

NOTA: Asegúrese de que las aberturas de las boquillas estén dirigidas directamente hacia abajo cuando las barras del aguilón están en la posición horizontal de operación.

11. Instale el soporte grande (O) y pequeño (N) de la pistola rociadora en un lado del tanque, usando dos tornillos #10 x 1/2" (D) y arandelas de presión #10 (H). Vea la figura 7.
12. Inserte una junta de manguera de jardín (S) en la tuerca giratoria para la manguera de paso y retorno. Enrosque la tuerca en la salida superior del conector en "Y" de la válvula. Coloque el otro extremo de la manguera hacia abajo, a través del agujero en la parte posterior del tanque. Vea la figura 8.
13. Inserte una junta de manguera de jardín (S) dentro de la tuerca giratoria en la manguera de conexión del aguilón. Enrosque la tuerca en la salida inferior del conector en "Y" de la válvula. Vea la figura 8.
14. Deslice la abrazadera de manguera de 1/4" (R) en la manguera de la pistola de rociar. Empuje la manguera sobre el adaptador de manguera, en el lado del conector en "T", como se muestra en la figura 8. Apriete la abrazadera alrededor de la manguera y del adaptador. Enrolle la manguera alrededor del tanque y encaje la pistola en los soportes situados a un lado del tanque.
15. Enrosque con mucho cuidado el manómetro (P) en la parte superior del conector en "T". Vea la figura 8.
16. Instale el rociador en el enganche del tractor y conecte los alambres a la batería del tractor. El alambre rojo debe ser conectado al terminal positivo (+) de la batería, o a la conexión "VIVA" en el amperímetro o interruptor del tractor. El alambre carmelita (color café) puede ser conectado a tierra o conectado al poste negativo (-) de la batería. Vea las figuras 9 y 10.

IMPORTANTE: ¡Este rociador sólo debe ser conectado a baterías de 12 voltios!

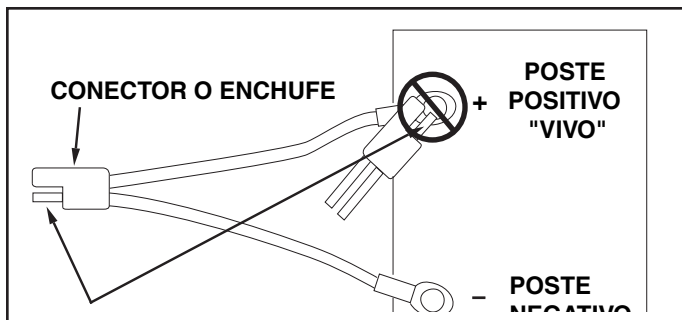


FIGURA 9

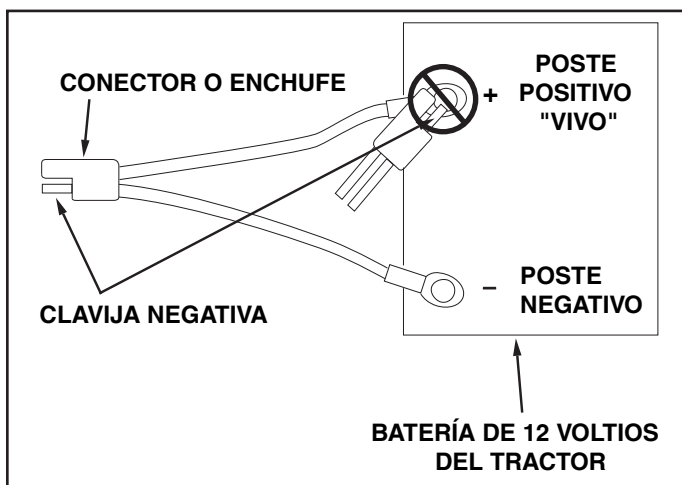
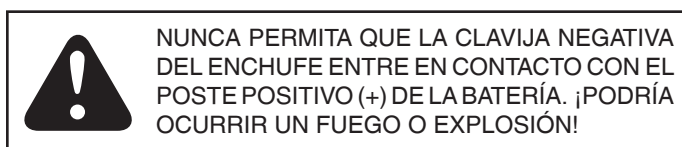


FIGURA 10

OPERACIÓN

ANTES DE COMENZAR

Es muy importante probar con agua la operación del aguilón y de la pistola de rociar antes de usar los productos químicos. Esto permitirá ver si el rociador tiene escapes y establecer la presión de la boquilla y el área que se desea rociar. Si ocurre un escape, se puede usar una cinta especial para roscas con el fin de sellar mejor la conexión.

INTERRUPTOR DE PRESIÓN DE LA BOMBA

La bomba está equipada con un interruptor de presión. El interruptor de presión detecta la presión de salida de la bomba y apagará la energía eléctrica si llega a un punto predeterminado de alta presión (60 PSI). Si la demanda de flujo es muy baja, la bomba podrá alcanzar ese punto de alta presión y el interruptor causará que la bomba se apague y se encienda rápidamente. Esto no es un problema, a menos que la bomba esté sujeta a este tipo de operación continuamente, con intervalos de un segundo, durante largos períodos de tiempo.

AJUSTE DE LA PRESIÓN DE OPERACIÓN

El rociador está equipado con un conector en "Y" que conecta con una válvula de paso y con la válvula del aguilón. La válvula de paso controla el flujo en la manguera de retorno (paso). La cantidad de flujo a través de esta manguera determina la presión de operación cuando el aguilón o la pistola rociadora está en uso. Ajuste la válvula de paso mientras el aguilón o la pistola está en uso para obtener la presión deseada, la que será indicada por el manómetro. El cuadro en la página 9 muestra la forma en que los diferentes ajustes de presión afectan el volumen de aplicación de los productos químicos por el aguilón.

AJUSTE DE LAS BOQUILLAS DEL AGUILÓN

La válvula del aguilón, en el conector en "Y", controla el flujo de las boquillas del aguilón. La válvula debe estar completamente abierta o completamente cerrada. La presión de operación del aguilón puede ser controlada usando la válvula de paso en el conector "Y".

FORMA DE AJUSTAR LA BOQUILLA DE LA PISTOLA DE ROCIAR

Gire la boquilla de la pistola de rociar para ajustar el rocío, desde una neblina fina en forma de cono hasta un chorro directo. Controle la presión de operación de la pistola con la válvula de paso en el conector "Y". La máxima presión de la pistola se puede obtener cuando se apague el aguilón.

FORMA DE AJUSTAR EL AGUILÓN PARA ROCIAR

La posición correcta del aguilón coloca las boquillas a una distancia aproximada de 40" entre sí y a una altura de 14" sobre el terreno. Esto produce un rocío con una anchura de aproximadamente 80" y un ligero traslapeo en el centro. Vea la figura 11.

- a. Deslice las barras del aguilón hacia fuera, hasta los extremos de las ranuras.
- b. Gire las barras del aguilón hasta que las boquillas estén aproximadamente a una altura de 14" sobre el terreno.
- c. Asegúrese de que las boquillas estén ajustadas de manera que las aberturas apunten directamente hacia abajo.

FORMA DE USAR EL ROCIADOR

1. Determine la cantidad de producto químico a ser aplicado (galones por 1,000 pies cuadrado o galones por acre) basándose en las recomendaciones del fabricante del producto. Use esta cantidad para seleccionar la presión y la velocidad del tractor en las instrucciones siguientes.
2. Determine la superficie aproximada del área a ser rociada y calcule el número de galones requeridos. Esto ayudará a que no quede mucha solución en el tanque después de rociar.
3. Determine la velocidad apropiada a que debe mover el tractor, basándose en la presión seleccionada y en la cantidad de producto recomendado. Use el cuadro de la página 9.
4. Para determinar la posición necesaria del acelerador del tractor para obtener la velocidad apropiada, marque el terreno a intervalos de 100, 200 y 300 pies. El cuadro de velocidad en la parte inferior de la página 9 indica el número de segundos que debe tomar para cubrir esas distancias. Ajuste el acelerador y, ya en movimiento, cubra las distancias en el número de segundos indicado en el cuadro de velocidad. Una vez que haya determinado la posición necesaria del acelerador y de la caja de velocidad, marque la posición del acelerador para que pueda resumir la misma velocidad después de detenerse.
5. Seleccione la presión de operación. Rocíe con agua para ayudar a determinar la mejor presión. Para mejores resultados, permanezca en la gama de 20 a 30 PSI. (A 10 PSI el rocío comienza a romperse y a 40 PSI a cambiar de forma). Vea el cuadro en la página 9.
6. Añada la solución química en el tanque, siguiendo las instrucciones para el producto.
7. Mueva el tractor hasta la posición inicial para rociar. Coloque el aguilón en la posición deseada para rociar. Coloque el acelerador en la posición establecida en el paso 4. Coloque el interruptor de la bomba y motor en la posición "ON" para comenzar a rociar.
8. No rocíe sobre las flores, arbustos y árboles siempre verdes para evitar que la solución entre en contacto con estas plantas tan sensibles.

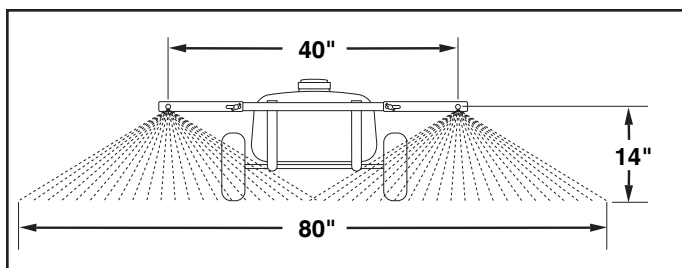
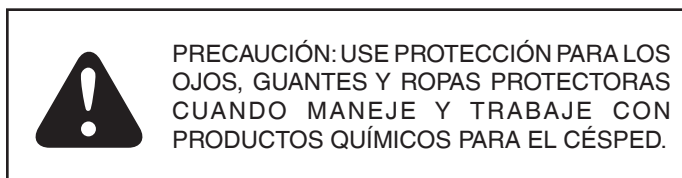


FIGURA 11

MANTENIMIENTO

1. No guarde el rociador si queda alguna solución en el tanque.
2. Limpie el filtro periódicamente en el extremo de la manguera de entrada, situada en la parte inferior del tanque. Retire la tuerca giratoria de nilón de la manguera, saque la rejilla y lávela con agua limpia.
3. Limpie periódicamente los filtros en las boquillas del aguilón. Retire la boquilla, saque la rejilla y lávela con agua limpia.

DESPUÉS DE CADA USO

4. Después de usarlo, llene el rociador hasta la mitad con agua, arranque la bomba y permita que el agua sea bombeada a través de las tuberías y mangueras, hasta que salga por el aguilón y la pistola. Use la pistola para lavar completamente todas las partes internas del tanque, el exterior del tanque y el aguilón.

¡ATENCIÓN!

No permita que la substancia química permanezca en la bomba durante largos períodos de tiempo. Algunos productos químicos dañarán la bomba si permanecen sin tratarse durante un cierto tiempo. Siempre enjuague la bomba con agua después de cada uso. Siga los procedimientos en las instrucciones tituladas "DESPUÉS DE CADA USO" para enjuagar y botar el líquido del enjuague.

5. Vuelva a llenar el tanque hasta la mitad con agua limpia y un neutralizador químico y repita las instrucciones anteriores de limpieza. Enjuague todo el rociador con el agente neutralizador. Siga las instrucciones del fabricante del producto químico para botar toda el agua del enjuague.

FORMA DE GUARDAR EL ROCIADOR DURANTE EL INVIERNO

6. Drene toda el agua fuera del rociador, prestando una atención especial a la bomba y a la pistola. Estas piezas se pueden dañar más fácilmente con las substancias químicas y la exposición a temperaturas muy frías.
7. El rociador debe prepararse antes de guardarse para el invierno bombeando una solución de 50-50 de agua con anticongelante R.V., la que debe pasar a través de todas las tuberías y mangueras. Un mantenimiento y cuidado adecuado prolongará la vida de su rociador.

ESPAÑOL

CUADRO DE APLICACIÓN EN GALONES DE U.S.

No. de aplic.	Altura de rocío en pulg.	Presión en PSI	Capacidad de aplic. Galones US por minuto	GALONES POR ACRE (BASADOS EN AGUA)						
				1 mph	2 mph	3 mph	4 mph	5 mph	7.5 mph	10 mph
		10	0.30	44.2	22.1	14.8	11.1	8.9	5.9	4.4
#3	13"	20	0.42	63.0	31.5	20.9	15.7	12.6	8.4	6.3
		30	0.52	76.8	38.4	25.8	19.3	15.4	10.3	7.7
No. de aplic.	Altura de rocío en pulg.	Presión en PSI	Capacidad de aplic. Galones US por minuto	GALONES POR 1000 PIES ² (BASADOS EN AGUA)						
				1 mph	2 mph	3 mph	4 mph	5 mph	7.5 mph	10 mph
		10	0.30	1.0	0.50	0.34	0.26	0.20	0.14	0.10
#3	13"	20	0.42	1.4	0.72	0.48	0.35	0.29	0.19	0.14
		30	0.52	1.8	0.88	0.59	0.44	0.35	0.24	0.18

CUADRO DE APLICACIÓN EN GALONES IMPERIALES (LITROS)

No. de aplic.	Altura de rocío en pulg. (mm)	Presión en PSI (Bar)	Capacidad de aplic. Galones imp. / min. (litros/min.)	GALONES IMPERIALES (Litros) POR ACRE (BASADOS EN AGUA)						
				1 mph 1.6 k/h	2 mph 3.2 k/h	3 mph 4.8 k/h	4 mph 6.4 k/h	5 mph 8 k/h	7.5 mph 12 k/h	10 mph 16 k/h
		10 (0.7)	0.25 (1.135)	36.8 (167.3)	18.4 (83.6)	12.3 (56.0)	9.2 (42.0)	7.4 (33.7)	4.9 (22.3)	3.7 (16.7)
#3	13" 330 mm	20 (1.4)	0.35 (1.59)	52.5 (238.5)	26.2 (119.2)	17.4 (79.1)	13.1 (59.4)	10.5 (47.7)	7.0 (31.8)	5.2 (23.8)
		30 (2.1)	0.433 (1.97)	64.0 (290.7)	32.0 (145.3)	21.5 (97.7)	16.1 (73.1)	12.8 (58.3)	8.6 (39.0)	6.4 (29.1)
No. de aplic.	Altura de rocío en pulg. (mm)	Presión en PSI (Bar)	Capacidad de aplic. Galones imp. / min. (litros/min.)	GALONES IMPERIALES (Litros) POR 1000 PIES ² (BASADOS EN AGUA)						
				1 mph 1.6 k/h	2 mph 3.2 k/h	3 mph 4.8 k/h	4 mph 6.4 k/h	5 mph 8 k/h	7.5 mph 12 k/h	10 mph 16 k/h
		10 (0.7)	0.25 (1.135)	0.85 (3.85)	0.42 (1.92)	0.28 (1.29)	0.21 (0.97)	0.17 (0.77)	0.11 (0.51)	0.08 (0.38)
#3	13" 330 mm	20 (1.4)	0.35 (1.59)	1.21 (5.48)	0.60 (2.74)	0.40 (1.82)	0.30 (1.37)	0.24 (1.10)	0.16 (0.73)	0.12 (0.55)
		30 (2.1)	0.433 (1.97)	1.47 (6.68)	0.74 (3.34)	0.49 (2.24)	0.37 (1.68)	0.29 (1.34)	0.20 (0.90)	0.15 (0.67)

CUADRO DE VELOCIDAD SOBRE EL TERRENO

M.P.H. (K/H)	Tiempo requerido en segundos para viajar una distancia de:		
	100 pies (30.5 M)	200 pies (61 M)	300 pies (91.5 M)
1.0 (1.6)	68	136	205
2.0 (3.2)	34	68	102
3.0 (4.8)	23	45	68
4.0 (6.4)	17	34	51
5.0 (8.0)	14	27	41
6.0 (9.7)	11	23	34
7.0 (11.3)	9.7	19	29
8.0 (12.9)	8.5	17	26
9.0 (14.5)	7.6	15	23
10.0 (16.1)	6.8	14	20

RÈGLES À APPLIQUER POUR UN FONCTIONNEMENT SÛR

Tout équipement utilisant de l'énergie peut causer des blessures si on le fait fonctionner incorrectement ou si l'utilisateur ne comprend pas comment le faire fonctionner. Faites preuve de prudence à tout moment quand vous le faites fonctionner.

1. Lisez avec soin ce manuel du propriétaire avant d'essayer d'assembler ou de faire fonctionner cet épandeur.
2. Lisez le manuel du propriétaire de votre véhicule pour les règles de fonctionnement et de sécurité avant d'utiliser cet équipement.
3. Ne permettez jamais aux enfants de faire fonctionner cet épandeur et ne permettez pas aux adultes de le faire fonctionner sans les instructions correctes.
4. Ne permettez à aucune personne de monter sur cet épandeur ni de s'asseoir dessus. N'autorisez pas des passagers sur le véhicule remorqueur.
5. Maintenez la zone de fonctionnement débarrassée de toutes personnes, particulièrement des petits enfants. Maintenez aussi la zone exempte d'animaux domestiques.
6. Lisez avec soin l'étiquette chimique pour les instructions et les notes concernant la manutention et le mélange des produits chimiques.
7. Portez une protection des yeux et des mains ainsi que des vêtements protecteurs quand vous manipulez et appliquez les produits chimiques pour pelouses.
8. Ne faites pas de pulvérisation les jours de pluie.
9. L'attache de cet épandeur peut affecter le freinage et la stabilité du tracteur. N'ignorez pas les possibilités de votre tracteur. Reportez-vous aux règles de sécurité se trouvant dans le manuel du propriétaire du véhicule concernant la sécurité du fonctionnement sur les pentes. N'ignorez pas le changement des conditions sur les pentes. **ÉVITEZ LES PENTES RAIDES.**
10. Faites fonctionner à vitesse réduite sur du terrain accidenté, le long des fossés et sur les flancs de coteau pour empêcher une perte de commande.
11. Suivez les instructions d'entretien et de graissage telles qu'elles sont décrites dans ce manuel.



CHERCHER CE SYMBOLE QUI SERT À SOULIGNER DES PRÉCAUTIONS DE SÉCURITÉ IMPORTANTES. IL SIGNIFIE: ATTENTION! METTEZ-VOUS EN ÉTAT D'ALERTE! CELA CONCERNE VOTRE SÉCURITÉ.

INSTRUCTIONS D'ASSEMBLAGE

OUTILS REQUIS POUR L'ASSEMBLAGE

- (2) Clés 1/2"
- (1) Tournevis
- (1) Pincés
- (1) Marteau

1. Retirez tous les articles du carton et arrangez-les comme indiqué sur les pages 2 et 3.
2. Assemblez l'axe à travers les grands trous existant dans les tubes cadres. Si l'axe ne s'ajuste pas, desserrez un peu les boulons dans les tubes cadres pour aligner les trous. Resserrez les boulons après l'assemblage de l'axe. Voir figure 1.
3. Assemblez une rondelle plate 1/2", une entretoise (Q), une autre rondelle plate 1/2" (G), une roue (tige de valve regardant l'extérieur) et une autre rondelle plate 1/2" (G) sur l'axe. Tapez légèrement un chapeau de moyeu (L) sur l'extrémité de l'axe. Voir figure 1.
4. Assemblez un bras d'attelage sur l'intérieur d'un tube cadre sous le réservoir. Utilisez deux boulons à six pans 5/16" x 2" (A) et écrous à six pans 5/16" (E) comme indiqué dans figure 2. Ne serrez pas encore. Répétez cela sur l'autre côté.
5. Attachez ensemble les extrémités des bras d'attelage en utilisant deux boulons à six pans 5/16" x 1-1/4" (B) et écrous à six pans 5/16" (E). Ne serrez encore pas. Voir figure 3.
6. Assemblez les supports d'attelage sur les bras d'attelage en utilisant deux boulons à six pans 5/16" x 2" (A) et écrous à six pans 5/16" (E). Positionnez chaque boulon derrière l'un des boulons transversaux dans les bras d'attelage. Ne serrez encore pas. Voir figure 3.
7. À ce moment, serrez tous les boulons en commençant par les boulons dans la figure 2, ensuite les boulons dans la figure 3.

8. Installez la vidange dans l'arrière du réservoir comme indiqué dans la figure 4. Placez un joint de tuyau d'arrosage de 3/4" (S) sur le corps de vidange (T) et introduisez le corps de vidange à l'extérieur à travers le trou dans l'arrière du réservoir. À l'extérieur du réservoir, assemblez la rondelle en nylon (W), ensuite l'écrou en nylon (X) sur le corps de vidange. Serrez l'écrou de façon suffisamment sûre pour empêcher les fuites, en faisant attention à ne pas endommager les pièces en plastique. Placez le joint torique (V) à l'intérieur du chapeau en nylon (U) et vissez le chapeau sur l'extrémité du corps de vidange. Voir figure 4.
 9. Assemblez le support de montage de flèche sur l'arrière des tubes d'attelage en utilisant deux boulons à six pans 5/16" x 2" (A) et écrous à six pans 5/16" (E). Voir figure 5.
 10. Assemblez les barres de flèche sur le support de montage de flèche en utilisant deux boulons de carrosserie 5/16" x 1-1/4" (C), rondelles à denture de blocage (I) (entre la barre et le support), rondelles plates 5/16" (E) et boutons (M). Le tuyau de connexion avec la flèche doit s'étendre vers le haut. Voir figure 6.
- NOTE:** Assurez-vous que les ouvertures d'ajutage regardent directement vers le bas quand les barres de flèche sont en position horizontale de fonctionnement.
11. Assemblez les attaches, la grande (O) et la petite (N), de pistolet pulvérisateur sur le côté du réservoir en utilisant deux vis N° 10 x 1/2" (D) et rondelles de blocage N° 10 (H). Voir figure 7.
 12. Introduisez un joint de tuyau d'arrosage (S) dans l'écrou pivotant sur le tuyau de dérivation/retour. Vissez l'écrou sur l'orifice de sortie supérieur du raccord de soupape en "Y". Placez l'autre extrémité du tuyau vers le bas à travers le trou existant à l'arrière du réservoir. Voir figure 8.

13. Introduisez un joint de tuyau d'arrosage (S) dans l'écrou pivotant sur le tuyau de connexion avec la flèche. Vissez l'écrou sur l'orifice de sortie inférieur du raccord de soupape en "Y". Voir figure 8.
14. Faites glisser le collier de serrage de boyau de 1/4" (R) sur le tuyau flexible de pistolet pulvérisateur. Poussez le tuyau flexible sur l'adaptateur de tuyau flexible existant sur le côté du raccord en "T" comme indiqué dans figure 8. Serrez le collier autour du tuyau flexible et de l'adaptateur. Enroulez le tuyau flexible autour du réservoir et introduisez d'un coup sec le pistolet pulvérisateur dans les attaches existant sur le côté du réservoir.
15. Vissez avec soin le manomètre (P) dans le haut du raccord en "T". Voir figure 8.
16. Attachez l'épandeur à l'attelage de tracteur et raccordez le câblage à la batterie de tracteur. Le fil rouge doit être connecté à la borne positive de la batterie ou à la connexion sous tension existant sur un interrupteur ou ampèremètre du tracteur. Le fil marron peut être mis à la terre ou connecté à la borne négative de la batterie. Voir figures 9 et 10.

REMARQUE IMPORTANTE: Cet épandeur ne doit être connecté qu'à des batteries de 12 volts!

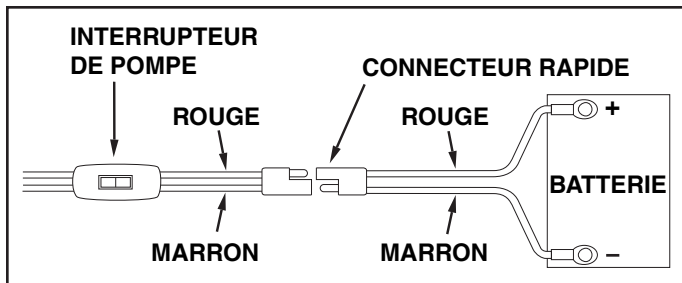


FIGURE 9

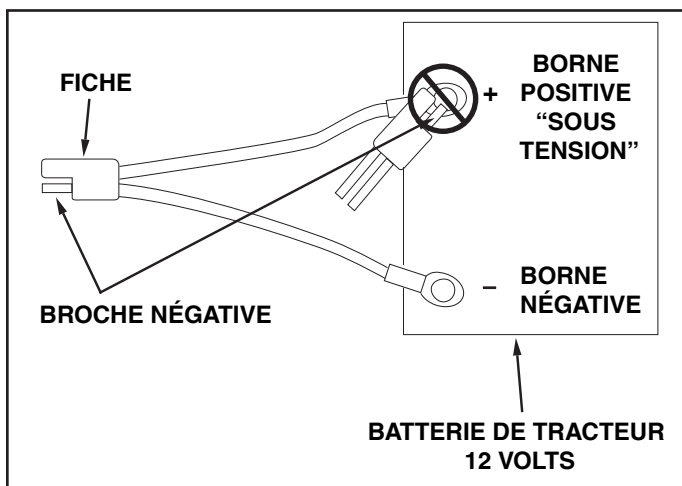
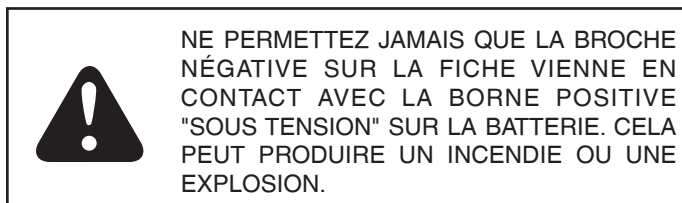


FIGURE 10

FONCTIONNEMENT

AVANT DE DÉMARRER

Il est important de faire un essai de la flèche et du pistolet pulvérisateur avec de l'eau ordinaire avant d'utiliser les produits chimiques. Cela vous permettra de contrôler si l'épandeur a des fuites et de régler le type de pulvérisation ainsi que la pression à l'ajutage. Si une fuite se produit, il est possible d'utiliser du ruban d'étanchéité pour filetage pour rendre les raccords plus étanches.

MANOSTAT DE POMPE

La pompe est équipée d'un manostat. Le manostat détecte la pression à la sortie de la pompe et coupe l'alimentation électrique de la pompe à un point déterminé de haute pression (60 PSI). Si la demande de débit est très basse, la pompe peut atteindre ce point de haute pression et le manostat forcera la pompe à effectuer des cycles (la pompe effectue rapidement des cycles de marche et arrêt). Ce n'est pas un problème à moins que la pompe ne soit soumise continuellement à des états de répétition de ces cycles à l'intérieur d'intervalles d'une seconde pendant de longues périodes de temps.

RÉGLAGE DE LA PRESSION DE FONCTIONNEMENT

L'épandeur est muni d'un raccord en "Y" qui contient une soupape de dérivation et une soupape de flèche. La soupape de dérivation commande l'écoulement allant au tuyau flexible de retour (dérivation). La quantité s'écoulant à travers le tuyau flexible de retour détermine la pression de fonctionnement quand la flèche ou le pistolet pulvérisateur est en cours d'utilisation. Réglez la soupape de dérivation tandis que la flèche ou le pistolet pulvérisateur est utilisé afin d'obtenir la pression désirée, indiquée par le manomètre. Le tableau des ajutages à la page 9 montre comment différents réglages de pression affectent les taux d'application de la flèche.

RÉGLAGE DE MARCHE-ARRÊT DES AJUTAGES DE FLÈCHE

La soupape de flèche sur le raccord en "Y" commande l'écoulement allant aux ajutages de flèche. Elle doit être ou bien complètement ouverte ou bien complètement fermée. La pression de fonctionnement de la flèche peut être commandée en utilisant la soupape de dérivation sur le raccord en "Y".

COMMENT RÉGLER L'AJUTAGE DE PISTOLET PULVÉRISATEUR

Faites tourner l'ajutage sur le pistolet pulvérisateur depuis un brouillard fin en forme de cône jusqu'à un écoulement continu en ligne droite. Commandez la pression de fonctionnement du pistolet pulvérisateur à l'aide de la soupape de dérivation sur le raccord en "Y". La pression maximale du pistolet pulvérisateur peut être atteinte quand la flèche est à l'arrêt.

RÉGLAGE DE LA FLÈCHE POUR LA PULVÉRISATION

Le positionnement correct de la flèche place les ajutages à une distance l'un de l'autre d'environ 40" et à environ 14" au-dessus du sol. Cela produit une largeur de pulvérisation d'environ 80" avec un petit recouvrement central. Voir figure 11.

- a. Faites glisser les barres de flèche vers l'extérieur jusqu'aux extrémités des fentes.
- b. Faites pivoter les barres de flèche jusqu'à ce que les ajutages soient à environ 14" au-dessus du sol.
- c. Assurez-vous que les ajutages sont réglés de sorte que les ouvertures soient dirigées tout droit vers le bas.

UTILISATION DE L'ÉPANDEUR

1. Déterminez le taux d'application (en gallons par 1.000 pieds carrés ou gallons par acre) basé sur les recommandations des fabricants de produits chimiques. Utilisez ce taux pour faciliter le choix du réglage de pression et de la vitesse du tracteur dans les instructions suivantes.
2. Déterminez la surface approximative en pieds carrés de la surface à arroser et estimez le nombre de gallons requis. Cela peut contribuer à éviter de la solution non nécessaire laissée dans le réservoir.
3. Déterminez la vitesse appropriée de déplacement en se basant sur le réglage de pression choisi et le taux d'application recommandé. Utilisez le tableau d'ajustages de page 9.
4. Pour déterminer le réglage des gaz pour atteindre la vitesse appropriée, jalonnez des intervalles de 100, 200 et 300 pieds. Le tableau des vitesses en bas de la page 8 indique le nombre de secondes que cela prend pour parcourir ces distances. Réglez le papillon de commande des gaz et à l'aide d'un départ de mise en route, parcourez les distances dans le nombre de secondes indiqué par le tableau des vitesses. Une fois que vous avez déterminé les réglages nécessaires des gaz et de boîte de vitesses, marquez l'emplacement de réglage des gaz de sorte que vous puissiez recommencer facilement la même vitesse après avoir arrêté.
5. Réglez la pression de fonctionnement. Pulvériser avec de l'eau ordinaire pour faciliter la détermination du meilleur réglage. Pour obtenir les meilleurs résultats, restez dans l'intervalle allant de 20 à 30 PSI (À 10 PSI, le type de pulvérisation commence à prendre fin, alors qu'à 40 PSI une certaine déviation se développe). Reportez-vous au tableau des ajustages de la page 9.
6. Ajoutez la solution chimique dans le réservoir en suivant les instructions du produit.
7. Conduisez jusqu'à la place de commencement de pulvérisation. Réglez la position de la flèche pour la pulvérisation. Réglez la commande des gaz à la position déterminée dans l'étape 4. Atteignez l'arrière et basculez l'interrupteur de pompe/moteur en position "MARCHE" pour commencer la pulvérisation.
8. Restez à l'écart des fleurs, arbustes et arbres à feuilles persistantes lorsque vous pulvériser des solutions de désherbage pour empêcher que la solution n'entre en contact avec ces plantes sensibles.

ATTENTION! PORTEZ UNE PROTECTION DES YEUX, DES GANTS ET DES VÊTEMENTS DE PROTECTION QUAND VOUS MANIPULEZ DES PRODUITS CHIMIQUES POUR PELOUSES ET TRAVAILLEZ AVEC EUX.


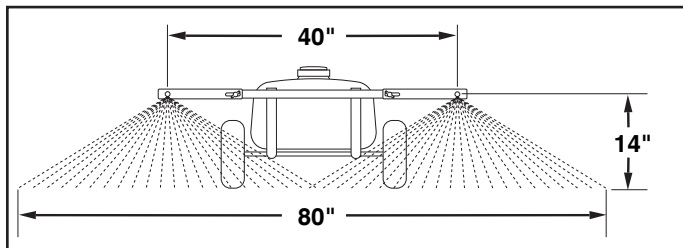



FIGURE 11

ENTRETIEN

1. Ne rangez pas le pulvérisateur avec de la solution laissée dans le réservoir.
2. Nettoyez périodiquement le filtre dans l'extrémité du tuyau flexible d'admission en bas du réservoir. Retirez du tuyau flexible l'écrou pivotant en nylon, tirez à l'extérieur la crépine et rincez-la avec de l'eau claire.
3. Nettoyez périodiquement les filtres dans les ajustages de flèche. Retirez l'ajutage, tirez à l'extérieur la crépine et rincez-la avec de l'eau claire.

APRÈS CHAQUE UTILISATION

4. Après son utilisation, remplissez le pulvérisateur en partie avec de l'eau, démarrez le pulvérisateur et permettez que de l'eau claire soit pompée à travers la plomberie et à l'extérieur à travers l'ensemble de flèche et le pistolet. Utilisez le pistolet pour laver complètement toutes les pièces internes du réservoir, l'extérieur du réservoir et la flèche.
5. Remplissez à nouveau le réservoir jusqu'à ce qu'il soit à moitié plein avec de l'eau claire et un neutralisant chimique, et répétez les instructions de nettoyage ci-dessus. Rincez tout le pulvérisateur avec l'agent neutralisant. Suivez les instructions des fabricants de produits chimiques pour la mise au rebut de toute l'eau de lavage et de rinçage.

RANGEMENT EN HIVER

6. Évacuez toute l'eau hors du pulvérisateur, en faisant particulièrement attention à la pompe et au pistolet. Ces articles sont particulièrement susceptibles d'être endommagés par les produits chimiques et le gel.
7. Le pulvérisateur doit être préparé pour l'hiver avant son rangement en pompant une solution 50 parties-50 parties d'eau et d'antigel R.V. (pour véhicule récréatif) à travers toute la plomberie. Des soins et un entretien correct prolongeront la durée de vie de l'épandeur.

ATTENTION!

Ne permettez pas que des produits chimiques restent dans la pompe pendant des périodes prolongées d'oisiveté. Certains produits chimiques endommageront la soupape de pompe si on la laisse tremper sans être traitée pendant un certain temps. Rincez toujours la pompe avec de l'eau après chaque emploi. Suivez les procédures décrites dans les instructions "APRÈS CHAQUE UTILISATION" pour le rinçage et la mise au rebut.

FRANÇAIS

TABLEAU DES AJUTAGES EN GALLONS U.S.

N° Ajutage	Hauteur de pulvé-risation (po.)	Pression PSI	Capacité d'ajutage Gal US par min	GALLONS PAR ACRE (BASÉS SUR L'EAU)						
				1 mi/h	2 mi/h	3 mi/h	4 mi/h	5 mi/h	7.5 mi/h	10 mi/h
		10	0,30	44,2	22,1	14,8	11,1	8,9	5,9	4,4
N°3	13"	20	0,42	63,0	31,5	20,9	15,7	12,6	8,4	6,3
		30	0,52	76,8	38,4	25,8	19,3	15,4	10,3	7,7
N° Ajutage	Hauteur de pulvé-risation (po.)	Pression PSI	Capacité d'ajutage Gal US par min	GALLONS PAR 1000 PI. CAR. (BASÉS SUR L'EAU)						
				1 mi/h	2 mi/h	3 mi/h	4 mi/h	5 mi/h	7.5 mi/h	10 mi/h
		10	0,30	1,0	0,50	0,34	0,26	0,20	0,14	0,10
N°3	13"	20	0,42	1,4	0,72	0,48	0,35	0,29	0,19	0,14
		30	0,52	1,8	0,88	0,59	0,44	0,35	0,24	0,18

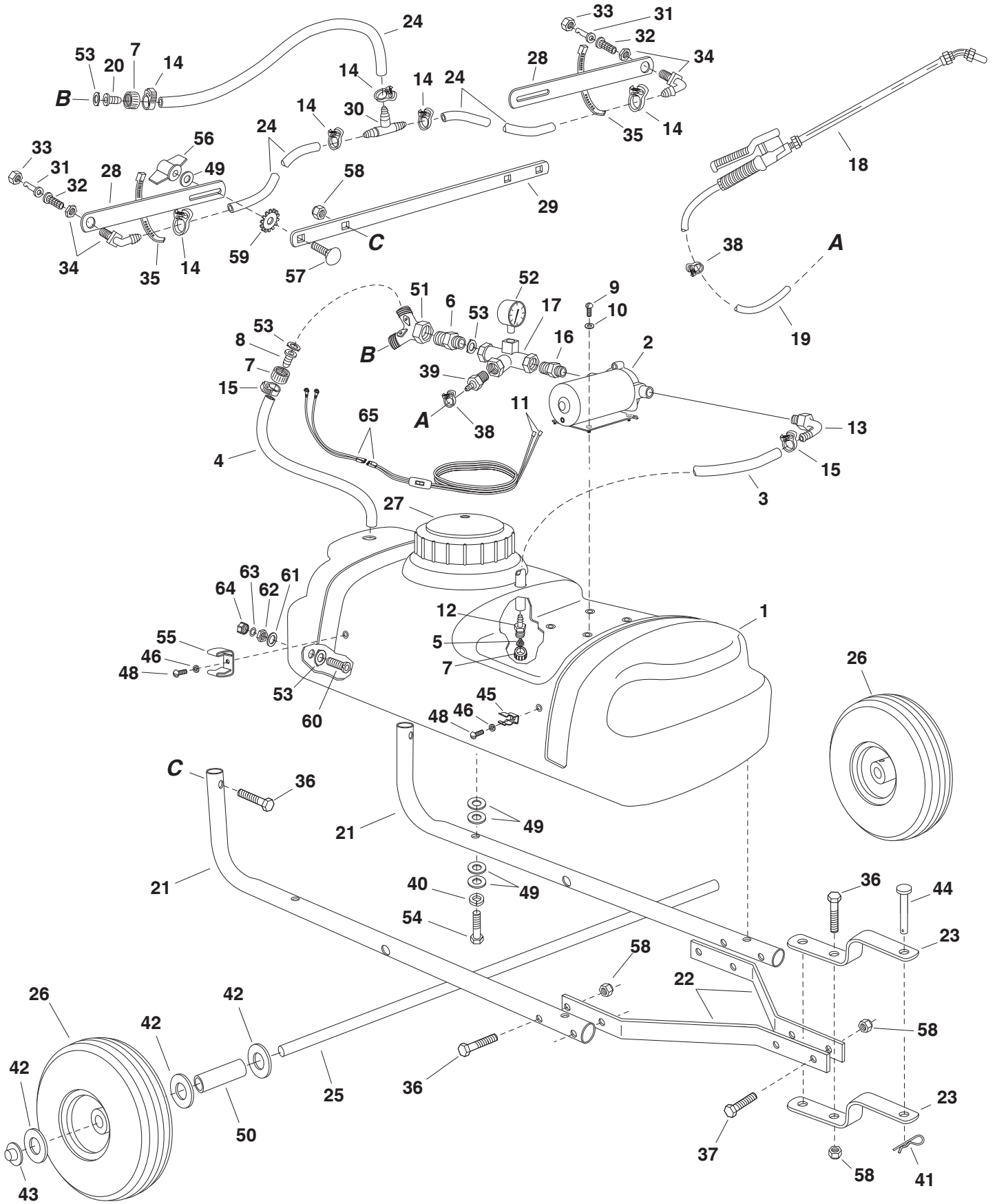
TABLEAU DES AJUTAGES EN GALLONS IMPÉRIAUX (LITRES)

N° Ajutage	Hauteur de pulvé- risation (mm)	Pression PSI (Bar)	Capacité ajutage Gal imp par min (litres/mn)	GALLONS IMPÉRIAUX (Litres) PAR ACRE (BASÉS SUR L'EAU)						
				1 mi/h 1,6 k/h	2 mi/h 3,2 k/h	3 mi/h 4,8 k/h	4 mi/h 6,4 k/h	5 mi/h 8 k/h	7,5 mi/h 12 k/h	10 mi/h 16 k/h
		10 (0,7)	0,25 (1,135)	36,8 (167,3)	18,4 (83,6)	12,3 (56,0)	9,2 (42,0)	7,4 (33,7)	4,9 (22,3)	3,7 (16,7)
N°3	13" 330 mm	20 (1,4)	0,35 (1,59)	52,5 (238,5)	26,2 (119,2)	17,4 (79,1)	13,1 (59,4)	10,5 (47,7)	7,0 (31,8)	5,2 (23,8)
		30 (2,1)	0,433 (1,97)	64,0 (290,7)	32,0 (145,3)	21,5 (97,7)	16,1 (73,1)	12,8 (58,3)	8,6 (39,0)	6,4 (29,1)
N° Ajutage	Hauteur de pulvé- risation (mm)	Pression PSI (Bar)	Capacité ajutage Gal imp par min (litres/mn)	GALLONS IMPÉRIAUX (Litres) PAR 1000 PI. CAR. (BASÉS SUR L'EAU)						
				1 mph 1,6 k/h	2 mph 3,2 k/h	3 mph 4,8 k/h	4 mph 6,4 k/h	5 mph 8 k/h	7,5 mph 12 k/h	10 mph 16 k/h
		10 (0,7)	0,25 (1,135)	0,85 (3,85)	0,42 (1,92)	0,28 (1,29)	0,21 (0,97)	0,17 (0,77)	0,11 (0,51)	0,08 (0,38)
N°3	13" 330 mm	20 (1,4)	0,35 (1,59)	1,21 (5,48)	0,60 (2,74)	0,40 (1,82)	0,30 (1,37)	0,24 (1,10)	0,16 (0,73)	0,12 (0,55)
		30 (2,1)	0,433 (1,97)	1,47 (6,68)	0,74 (3,34)	0,49 (2,24)	0,37 (1,68)	0,29 (1,34)	0,20 (0,90)	0,15 (0,67)

TABLEAU DES VITESSES AU SOL

MI/H (KM/H)	Temps requis en secondes pour se déplacer à une distance de		
	100 pi. (30,5 M)	200 pi. (61 M)	300 pi. (91,5 M)
1,0 (1,6)	68	136	205
2,0 (3,2)	34	68	102
3,0 (4,8)	23	45	68
4,0 (6,4)	17	34	51
5,0 (8,0)	14	27	41
6,0 (9,7)	11	23	34
7,0 (11,3)	9,7	19	29
8,0 (12,9)	8,5	17	26
9,0 (14,5)	7,6	15	23
10,0 (16,1)	6,8	14	20

REPAIR PARTS FOR 15 GALLON SPRAYER MODEL 45-02922



REPAIR PARTS LIST FOR 15 GALLON SPRAYER MODEL 45-02922

REF. NO.	PART NO.	QTY.	DESCRIPTION	REF. NO.	PART NO.	QTY.	DESCRIPTION
1	49725	1	Tank (15 Gal.)	33	45037	2	Nut, Screen Body
2	45015	1	Pump and Motor	34	47396	2	Elbow, Plastic 11/16" Thd.
3	46278	1	Hose, 1/2" ID (24" Lg.)	35	726-0178	2	Nylon Tie
4	45021	1	Hose, 1/2" ID (20" Lg)	36	44180	8	Bolt, Hex 5/16-18 x 2"
5	45024	1	Strainer, Cap Type 1"	37	43840	2	Bolt, Hex 5/16-18 x 1-1/4
6	45031	1	Adapter, 1/2" NPT x Hose	38	49779	2	Clamp, Coiled Hose
7	45032	3	Nut, Swivel 3/4" Garden Hose	39	47390	1	Adapter, 1/2" NPT x 1/4" Barb
8	45033	1	Hose Barb, 1/2"	40	43086	4	Lock Washer, 5/16"
9	45069	4	Screw, Ph. Pan Hd. 10-24 x 1" Lg.	41	43343	1	Pin, Hair Cotter #4 (1/8")
10	43910	4	Washer, Flat #10 SAE	42	R19171616	6	Washer, 1/2"
11	45085	2	Terminal, .25 Male Tab	43	44166	2	Palnut, 1/2"
12	46276	1	Adapter, 3/4" GH x 1/2" Barb	44	47623	1	Hitch Pin
13	46277	1	Elbow, 3/8 NPT x 1/2" Barb	45	45180	1	Hose Clip, Small
14	45026	6	Clamp, 3/8" (For Black Hose)	46	736-0722	2	Lock Washer, #10
	47405	6	Clamp, 1/4" (For Clear Hose)	48	45040	2	Screw, Phillips Hd. #10-24 x 1/2"
15	45025	2	Clamp, 1/2" (For Black Hose)	49	43081	18	Washer, 5/16" Std. Wt.
	45026	2	Clamp, 3/8" (For Clear Hose)	50	46578	2	Spacer
16	45049	1	Nipple, (Nylon) 1/2" x 3/8" Red.	51	45017	1	Hose "Y" W / Valves 3/4"
17	45050	1	Tee, 1/2" x 1/2" x 1/2" (1/4" Port)	52	45071	1	Gauge, Pressure 2" 100 PSI
18	47406	1	Spray Gun	53	45072	4	Gasket, 3/4" Garden Hose
19	49761	1	Hose, 1/4" ID (12' 6" Lg)	54	43084	4	Bolt, Hex 5/16-18 x 1-3/4"
20	45034	1	Hose Barb, 3/8"	55	47397	1	Hose Clip (Large)
21	48296	2	Frame Tube	56	712-0421	2	Knob
22	24860	2	Hitch Arm	57	43682	2	Bolt, Carriage 5/16-18 x 1-1/4"
23	23014	2	Hitch Bracket	58	47810	10	Nut, Nylock 5/16"
24	47392	3	Hose, 3/8" ID (20" Lg.)	59	44732	2	Washer, Tooth Lock 5/16"
25	24584	1	Axle, 1/2"	60	47399	1	Drain Body
26	46503	2	Wheel	61	47398	1	Washer, Nylon
27	46700	1	Lid	62	47402	1	Nut, Nylon 11/16" Thd.
28	24122	2	Boom Bar	63	47206	1	O-Ring, 5/8" OD
29	24585	1	Bracket, Boom Mount	64	47403	1	Cap, Nylon 11/16" Thd.
30	47394	1	Tee, Plastic 3/8" Hose	65	49754	1	Switch and Wire Assembly
31	45028	2	Nozzle, SS Floodjet		49727	1	Owners Manual
32	45029	2	Strainer, Screen Type				

SpeedPart *the fastest way to purchase parts* www.speedepart.com

SpeedEPart *the fastest way to purchase parts* www.speedepart.com

REPAIR PARTS

Agri-Fab, Inc.
809 South Hamilton
Sullivan, IL. 61951
217-728-8388
www.agri-fab.com

This document (or manual) is protected under the U.S. Copyright Laws and the copyright laws of foreign countries, pursuant to the Universal Copyright Convention and the Berne convention. No part of this document may be reproduced or transmitted in any form or by any means, electronic or mechanical, including photocopying or recording, or by any information storage or retrieval system, without the express written permission of Agri-Fab, Inc. Unauthorized uses and/or reproductions of this manual will subject such unauthorized user to civil and criminal penalties as provided by the United States Copyright Laws.