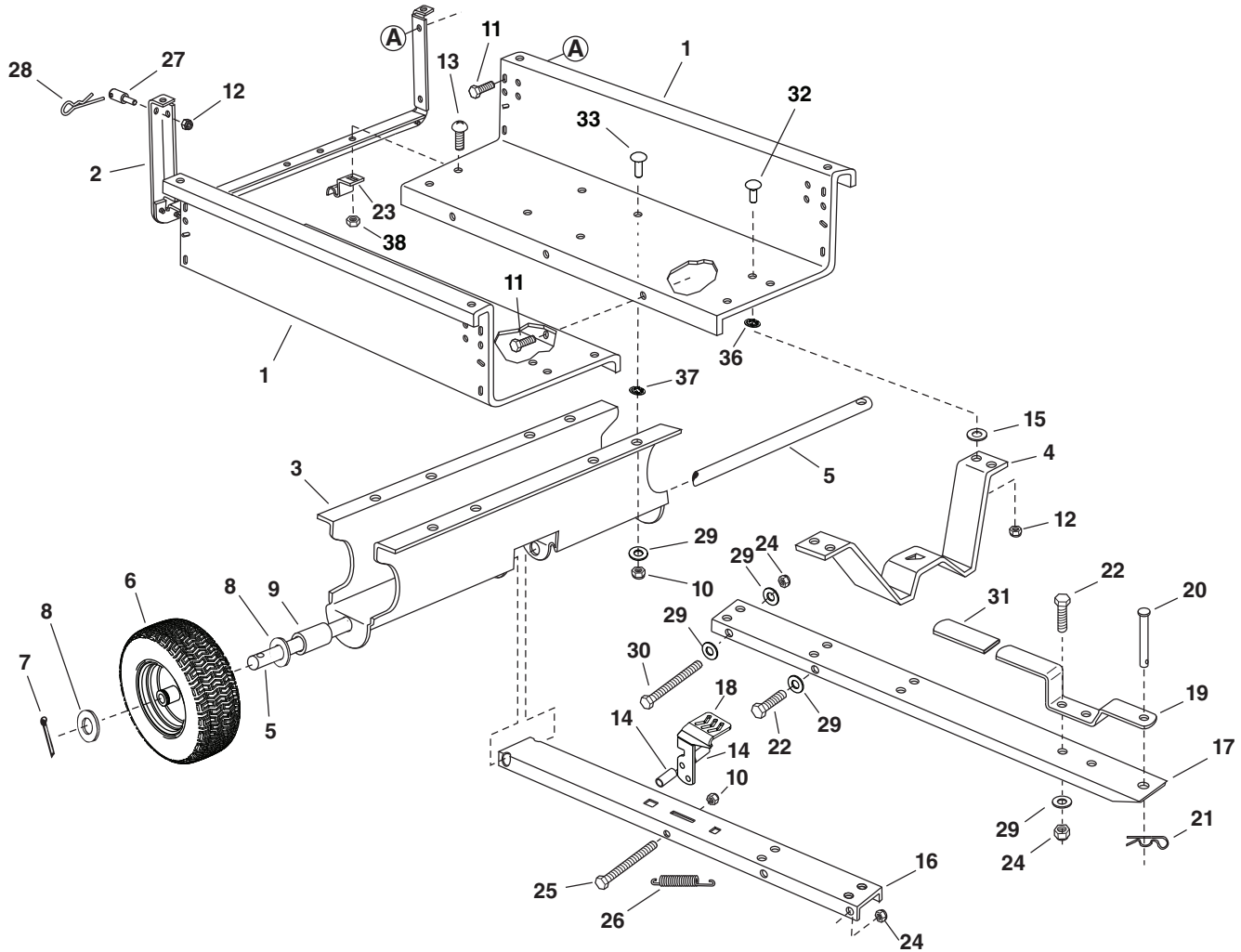


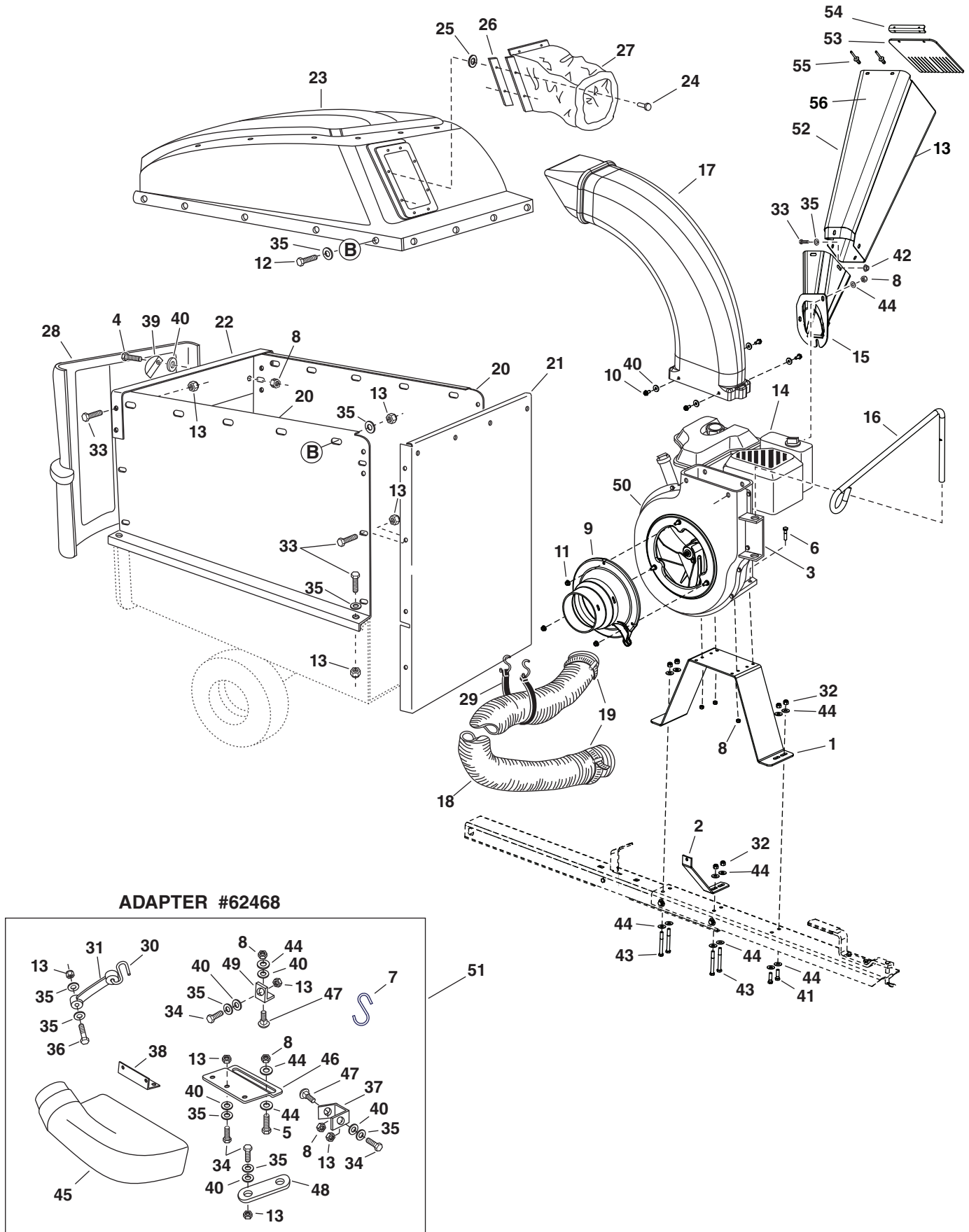
PARTS

REPAIR PARTS FOR MODEL 45-0578 CART BODY



REF.	PART NO.	QTY.	DESCRIPTION	REF.	PART NO.	QTY.	DESCRIPTION
1	23985BL3	2	Cart Body	20	49932	1	Clevis Pin, 1/2" x 3"
2	62458	1	Tailgate Reinforcement Bracket	21	43343	1	Pin, Hair Cotter 1/8"
3	23507BL3	1	Wheel Support	22	43087	4	Hex Bolt, 3/8-16 x 1-1/4"
4	24497BL1	1	Latch Stand Bracket	23	23838	2	Door Support
5	24897	1	Axle, Wheel 1" Dia.	24	HA21362	5	Nut, Hex Nylock 3/8-16
6	42159G	2	Wheel w/Tire, 15 x 6.00	25	47407	1	Hex Bolt, 5/16-18 x 4"
7	43093	2	Cotter Pin, 1/8" Dia. x 1-1/2"	26	47408	1	Spring, Extension
8	43601	4	Washer, Flat 1"	27	42999	2	Pin
9	44678	2	Spacer Tube, 1-1/4" x 2" Lg.	28	48934	2	Hairpin
10	47810	9	Hex Nut, 5/16-18 Nylock	29	43081	14	Washer, 3/8"
11	48373	9	Pop Rivet	30	710-0693	1	Bolt, Hex 3/8" x 4"
12	47189	6	Hex Nut, 1/4-20 Nylock	31	47707	1	Grip
13	43814	2	Truss Hd. Bolt, 5/16-18 x 3/4"	32	44950	4	Carriage Bolt, 1/4-20 x 3/4"
14	41076	2	Spacer	33	45542	8	Carriage Bolt 5/16-18 x 1"
15	43088	2	Washer, Flat 1/4"	34	28546BL1	2	Strap, Latch Stand Anchor
16	69688BL3	1	Tongue Ass'y. (Rear)	35	28547BL1	4	Strap, Wheel Support Anchor
17	27863BL3	1	Tongue (Front)	36	45541	4	1/4" Retainer
18	28258BL3	1	Latch, Foot Pedal	37	M84309	8	Retainer Nut
19	27264BL1	1	Hitch Bracket	38	46980	2	Hex Nut, 5/16-18 Sims

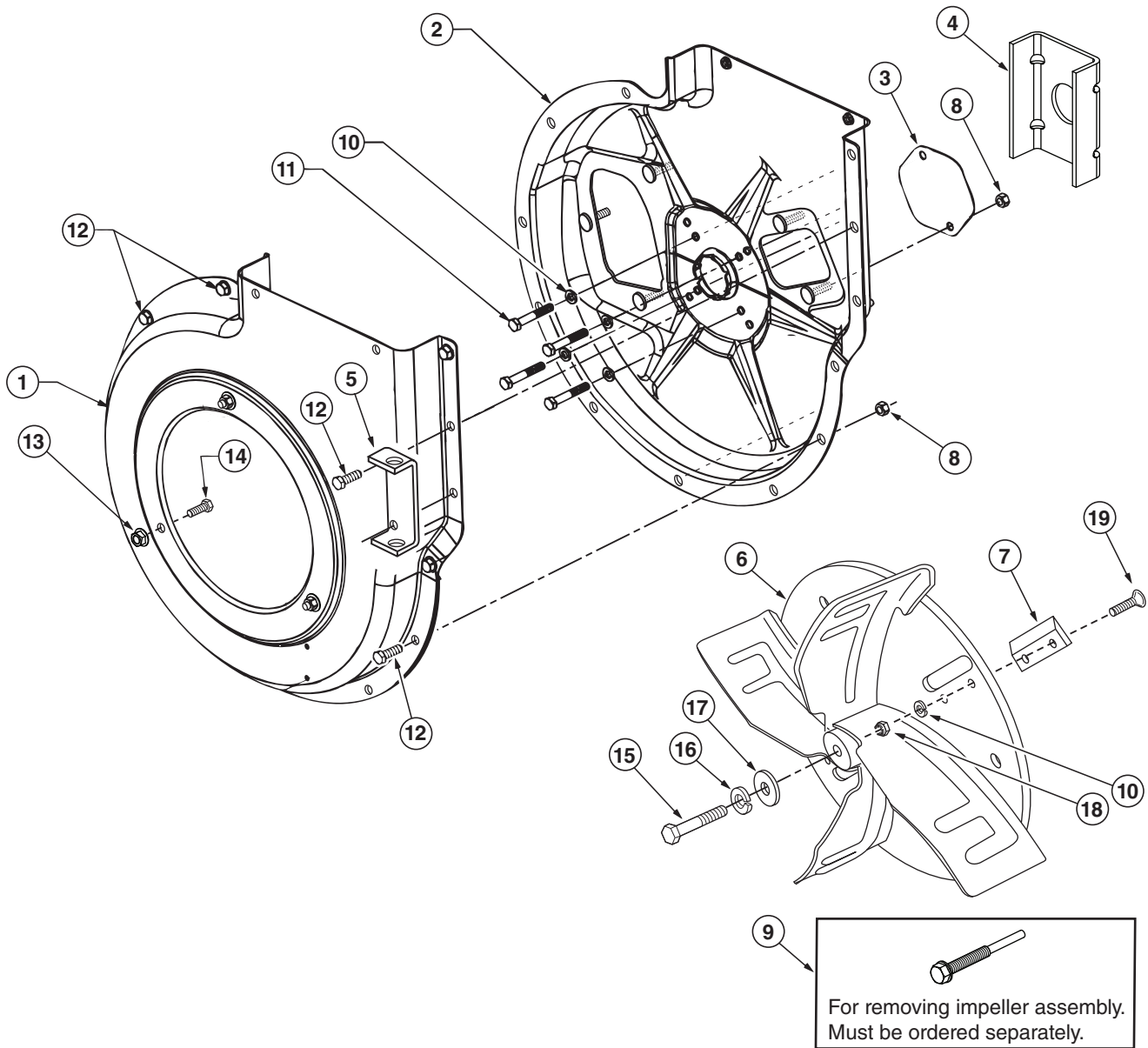
REPAIR PARTS FOR MODEL 45-0578 CHIP-N-VAC



REPAIR PARTS FOR MODEL 45-0578 CHIP-N-VAC

REF.	PART NO.	QTY.	DESCRIPTION	REF.	PART NO.	QTY.	DESCRIPTION
1	27883BL3	1	Engine Base	31	44850	2	Strap, Tarp (Less Hooks)
2	27882BL3	1	Brace, Housing	32	HA21362	6	Nut, Hex Nylock 3/8-16
3	24958BL1	1	Hose Hanger Bracket	33	43866	4	Bolt, Hex 1/4-20 x 5/8"
4	43182	2	Bolt, Hex 5/16-18 x 3/4"	34	43661	4	Bolt, Hex 1/4-20 x 1"
5	43840	2	Bolt, Hex 5/16-18 x 1-1/4"	35	43088	15	Washer, 1/4" STD
6	43085	4	Bolt, Hex 5/16-18 x 1-1/2"	36	1509-90	3	Bolt, Hex 1/4-20 x 1-1/4"
7	42749	1	"S" Hook, Large	37	23827	1	Mounting Bracket
8	47810	12	Nut, Nylock 5/16-18	38	27304BL1	1	Bracket, Attachment
9	43791	1	Hose Adapter (Nozzle)	39	23789	2	Door Latch
10	47630	4	Screw, Self Tap 5/16-18 x 3/4"	40	1543-69	11	Washer, Nylon 21/64"
11	49983	3	Hex Nut, Flange Lock 5/16-18	41	43087	2	Hex Bolt, 3/8-16 x 1-1/4"
12	48373	28	Pop Rivet	42	47598	4	Nut, Hex Flanged Lock 1/4"
13	28354OR1	1	Chute, Chipper Bottom	43	46938	4	Hex Bolt, 3/8-16 x 3-1/4"
14	28096	1	Engine	44	43081	14	Washer, 3/8"
15	67974OR1	1	Chute Assembly	45	43830	1	Adapter, Deck
16	49974BL3	1	Hose Hanger Rod	46	23560BL1	1	Bracket, Deck Adapter
17	46420	1	Elbow	47	43080	2	Bolt, Carr. 5/16" x 3/4"
18	2-17	1	Hose (6" x 126")	48	23825	1	Mounting Strap
19	43793	2	Hose Clamp 6"	49	23826	1	Angle Bracket
20	24678BL3	2	Side Panel Cart Extension	50		1	Impeller Housing Assembly (See page 20)
21	24679BL3	1	Front Panel Cart Extension	51	62468	1	Deck Adapter Kit (includes all parts in box on page 18)
22	23836BL1	1	Cross Brace	52	70255PH	1	Chipper Chute Assembly, (includes items 13, 53, 54, 55, and 56)
23	64244	1	Hard Top Assembly (Includes 24,25,26,27)	53	28356	1	Deflector
24	42189	4	Rivet, 3/16"	54	28355BL3	2	Angle, Deflector Anchor
25	43910	2	Washer, Flat 3/16"	55	HA24433	14	Pop Rivet, 3/16"
26	24798BL1	4	Boot Mounting Strap	56	68812OR1	1	Ass'y, Upper Chute Welded
27	48133	1	Vinyl Boot (Hardtop)		3-113	1	Owner's Manual
28	44790	1	Poly Rear Door				
29	43790	1	Strap, Tarp 25"				
30	44849	2	"S" Hook, #32				

REPAIR PARTS FOR MODEL 45-0578 CHIP-N-VAC IMPELLER HOUSING ASSEMBLY



REF.	PART NO.	QTY.	DESCRIPTION	REF.	PART NO.	QTY.	DESCRIPTION
1	24633BL3	1	Housing Ass'y. Outer	11	710-0772	4	Bolt, Hex 5/16-24 x 2"
2	63993BL3	1	Housing Ass'y. Inner	12	43182	12	Bolt, Hex 5/16-18 x 3/4"
3	27615BL1	1	Cover, Chipper	13	46584	3	Hex Nut, Whizlock 5/16-18 Thd.
4	27187BL1	1	Spacer Bracket	14	43063	3	Bolt, Hex 5/16-18 x 1"
5	24958BL1	1	Hose Hanger Bracket	15	710-1273	1	Bolt, Hex 3/8-24 x 2-3/4"
6	66791	1	Impeller Assembly	16	43003	1	Lockwasher, 3/8"
7	742-0544B	2	Blade, Chipper	17	42828	1	Flat Washer, 13/32" x 1-1/4"
8	47810	14	Nut, Hex Nylock 5/16-18	18	44738	4	Nut, Hex Lock 5/16-24 "Unitork"
9	42294	1	Impeller Service Tool	19	710-1054	4	Screw, Flat Hd. 5/16-24 x 1"
10	43086	8	Washer, Lock 5/16" Spring Type				