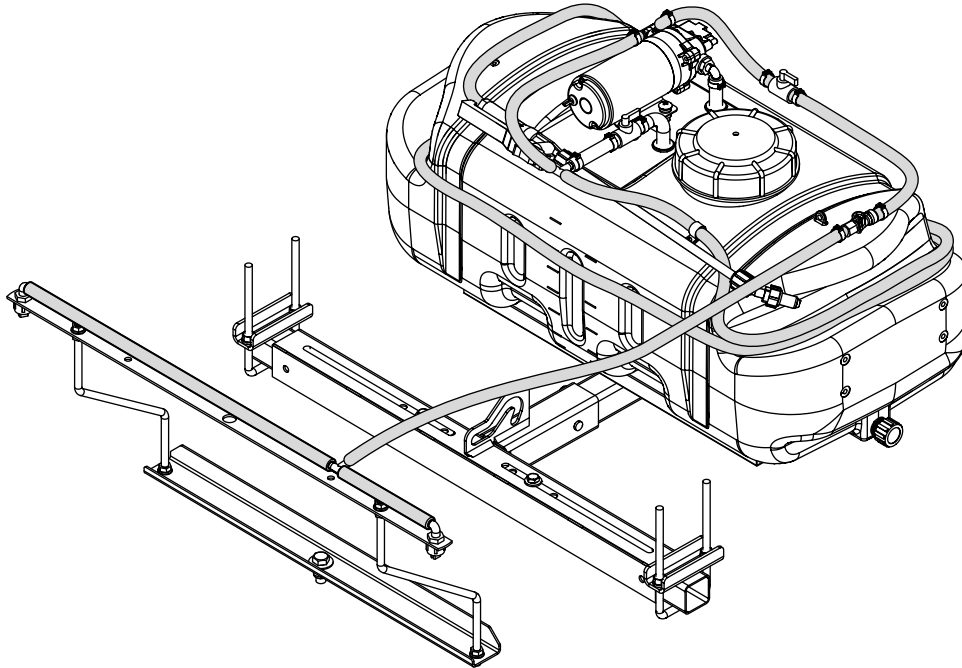


Agri+Fab®

Lawn Care Made Easy®



Want more information or assembly tips?



**Video
Instruction
Guide**

youtube.com/c/agrifab

45-0628

ZERO TURN SPRAYER



.....3,4	FRANÇAIS	13
ENGLISH.....5	ESPAÑOL.....	18

SAFETY RULES

Remember, any equipment can cause injury if operated improperly or if the user does not understand how to operate the equipment. Exercise caution at all times when using this equipment.



LOOK FOR THIS SYMBOL TO POINT OUT IMPORTANT SAFETY PRECAUTIONS. IT MEANS - ATTENTION! BECOME ALERT! YOUR SAFETY IS INVOLVED.

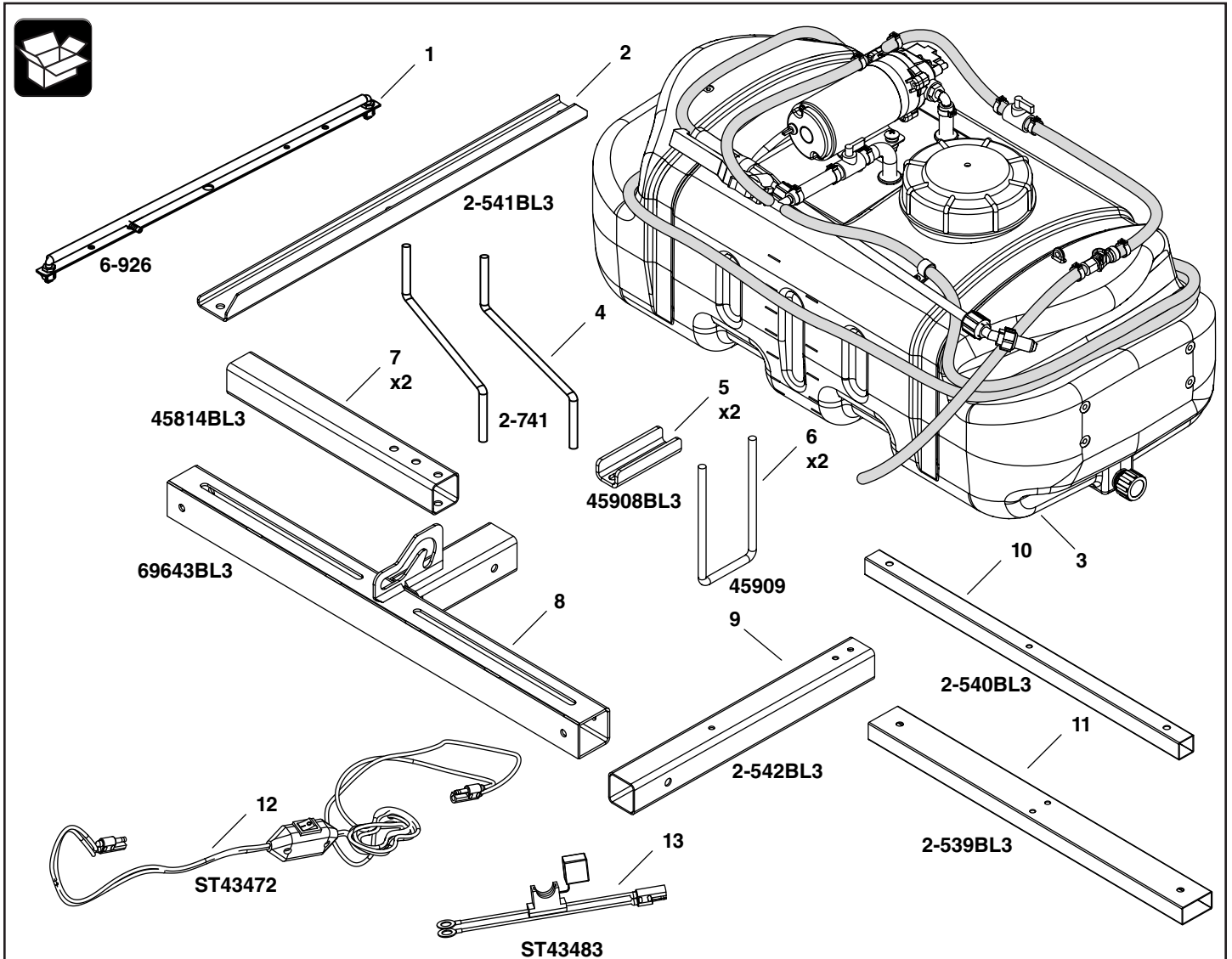


CAUTION: VEHICLE BRAKING AND STABILITY MAY BE AFFECTED WITH THE ADDITION OF AN ACCESSORY OR AN ATTACHMENT. BE AWARE OF CHANGING CONDITIONS ON SLOPES.

Exercise caution at all times when using power equipment.

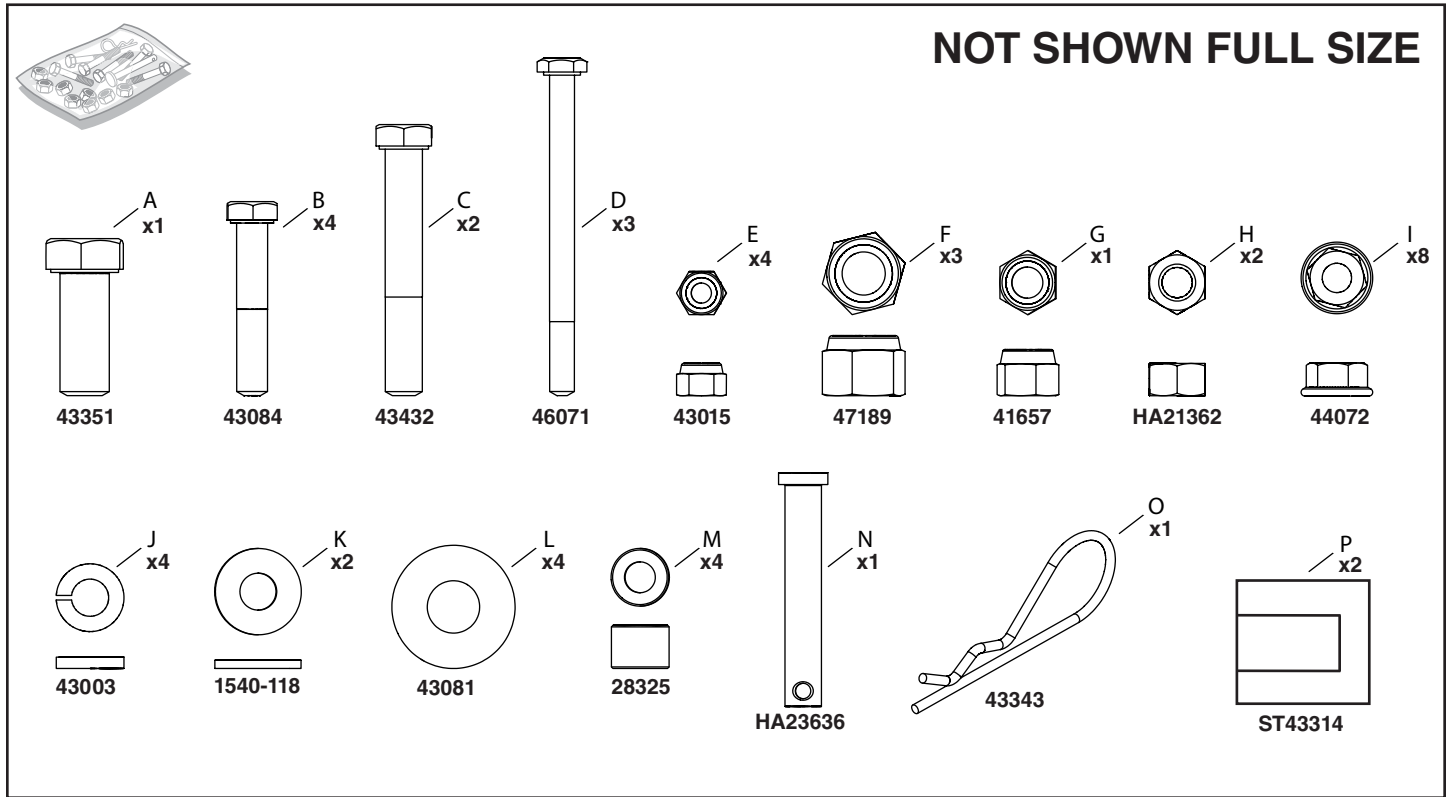
1. Read this owners manual carefully for operating and service instructions before attempting to assemble or operate this equipment. Be thoroughly familiar with the proper use of this equipment.
2. Read the vehicle owners manual and vehicle safety rules, and know how to operate the vehicle before using this equipment.
3. Never allow children to operate the tractor or sprayer, and do not allow adults to operate without proper instructions.
4. Do not allow anyone to ride on or sit on this sprayer.
5. Keep the area of operation clear of all persons, particularly small children, and also pets.
6. Read the chemical label before handling or mixing chemicals.
7. Wear eye and hand protection and protective clothing when handling and applying lawn chemicals.
8. Do not spray on windy days.
9. Always begin with the transmission in first (low) gear and engine at low speed, and gradually increase speed as conditions permit.
10. The vehicle braking and stability may be affected with the attachment of this equipment. Be aware of changing conditions on slopes. Refer to safety rules in the vehicle owner's manual concerning safe operation on slopes. **STAY OFF OF STEEP SLOPES.**
11. Always operate up and down a slope, never across the face of a slope
12. This equipment should be operated at reduced speed on rough terrain, along creeks and ditches and on hillsides, to prevent tipping and loss of control. Do not drive too close to a creek or a ditch.
13. Do not tow this equipment on a highway or any other public thoroughfare.
14. Follow the maintenance instructions as outlined in this owners manual.

CARTON CONTENTS - PARTS



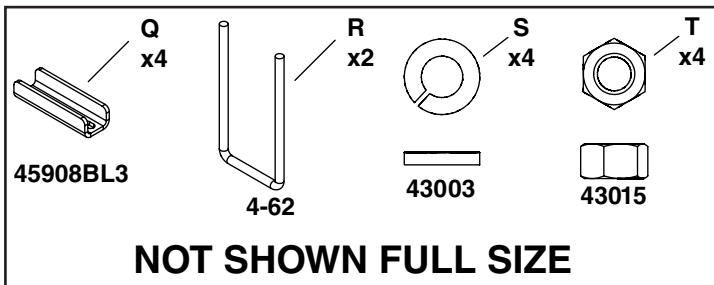
REF	QTY	PART NO	DESCRIPTION	REF	QTY	PART NO	DESCRIPTION
1	1	6-926	Boom Assembly ZT	8	1	69643BL3	Hitch Mount Ass'y
2	1	2-541BL3	Bracket, Boom Support	9	1	2-542BL3	Tube, Receiver Hitch
3	1	6-1030	15 Gallon Tank Assembly	10	1	2-540BL3	Tube, Frame
4	2	2-741	Boom Support Rod	11	1	2-539BL3	Tube, Frame Rear 1 X 2
5	2	45908BL3	Mounting Bracket	12	1	ST43472	Wire Harness, Switch
6	2	45909	U-Bolt, 7.0 X 3.5 X 3/8"	13	1	ST43483	Wire Harness, Battery
7	2	45814BL3	Slider Tube				

CARTON CONTENTS - HARDWARE



REF	QTY	PART NO	DESCRIPTION	REF	QTY	PART NO	DESCRIPTION
A	1	43351	Bolt, Hex 1/2-13 X 1-1/4 GR5	I	8	44072	Nut, Hex 3/8-16 Whizloc
B	4	43084	Bolt, Hex 5/16-18 X 1-3/4 GR5	J	4	43003	Washer, Loc 3/8"
C	2	43432	Bolt, Hex 3/8-16 X 2-1/2 GR5	K	2	1540-118	Washer, .531 X 1.25 X .062
D	3	46071	Bolt, Hex 1/4-20 X 3-1/4 GR5	L	4	43081	Washer, .735 X .875 X .083
E	4	43015	Nut, Hex 3/8-16	M	4	28325	Spacer, .31 ID X .585 OD X 41
F	3	47189	Nut, Hex 1/4-20 Nylock	N	1	HA23636	Pin, Clevis 3/8" X 2-1/4"
G	1	41657	Nut, Hex 1/2-13 Nylock	O	1	43343	Pin, Hair Cotter 3/32" X 2-5/16"
H	2	HA21362	Nut, Hex 3/8-16 Nylock	P	2	ST43314	Plastic Wire Harness Clips

CARTON CONTENTS - SPACER KIT



REF	QTY	PART NO	DESCRIPTION
Q	4	45908BL3	Bracket, Mounting
R	2	4-62	U-Bolt, 8" x 3.5" x 3/8"
S	4	43003	Washer, Lock 3/8"
T	4	43015	Nut, Hex 3/8-16

Scan me for fitup chart!



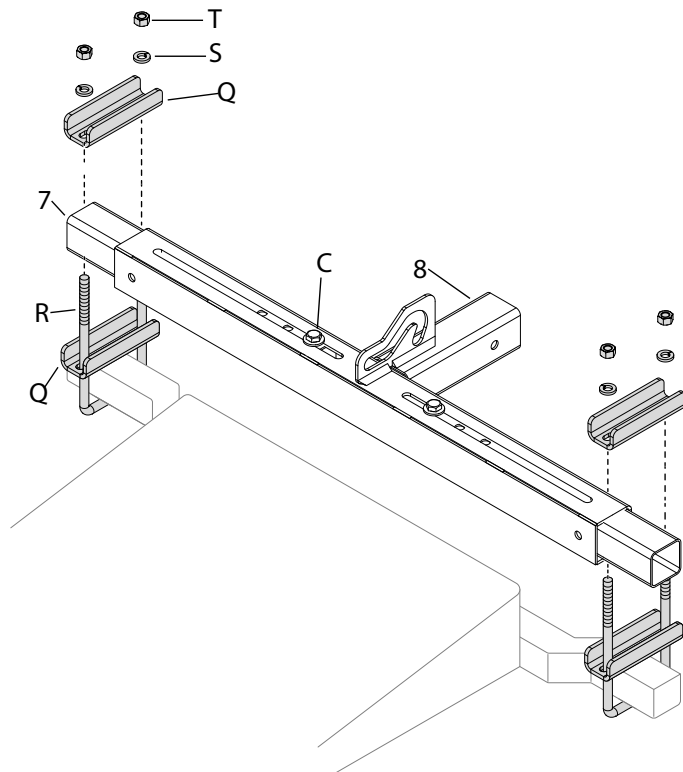
SPACER KIT ASSEMBLY INSTRUCTIONS

Depending on your mower, the included spacer kit may be required to ensure the hitch mount assembly attaches to your mower without interference. If you used the single or double spacer assembly on this page, skip to the instructions on page 7. If you don't need the spacers, start assembly using the instructions on the next page.

SINGLE SPACER ASSEMBLY

- Place mounting bracket (Q) flat onto zero turn front frame. Open side of bracket facing up.
- Place the hitch mount assembly (8) on the mounting bracket (Q)
- Using two U-bolts (R) secure the hitch mount assembly (8) with two mounting brackets (Q), four washers (S), and four hex nuts (T). Do not tighten.
- If the slider tube does not fully extend into both U-bolts (R), then loosen the appropriate hex bolt (C) and reposition the slider tube (7).
- Center the hitch mount assembly on the tractor frame.
- Tighten all hex bolts and hex nuts.

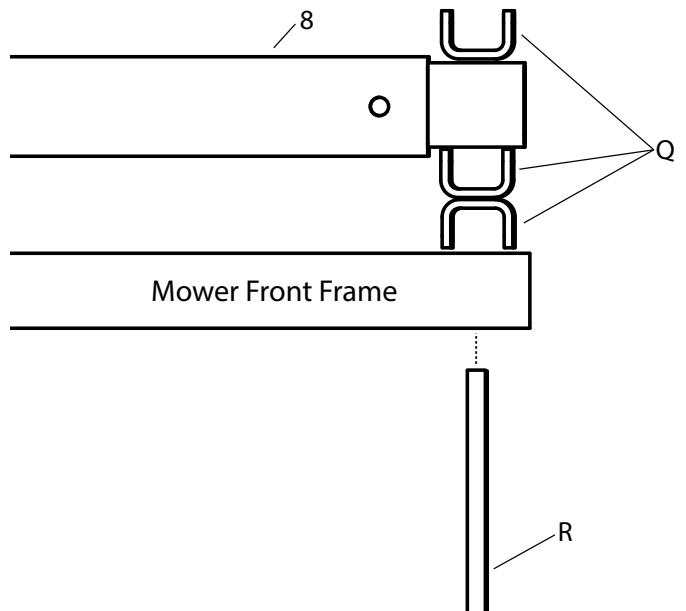
Note: Depending on your mower, U-bolts may need to be installed at an angle.



DOUBLE SPACER ASSEMBLY

- Place mounting bracket (Q) onto zero turn front frame. Open side of bracket facing down.
- Place second mounting bracket (Q) on top of the first mounting bracket (Q). Open side of bracket facing up.
- Place the hitch mount assembly (8) on the mounting brackets (Q)
- Using two U-bolts (R) secure the hitch mount assembly (8) with two mounting brackets (Q), four washers (S), and four hex nuts (T). Do not tighten.
- If the slider tube does not fully extend into both U-bolts (R), then loosen the appropriate hex bolt (C) and reposition the slider tube (7).
- Center the hitch mount assembly on the tractor frame.
- Tighten all hex bolts and hex nuts.

Note: Depending on your mower, U-bolts may need to be installed at an angle.



ASSEMBLY INSTRUCTIONS

TOOLS REQUIRED FOR ASSEMBLY

- (2) Adjustable Wrench
- (2) 7/16" Wrenches
- (2) 1/2" Wrenches
- (2) 9/16" Wrenches

Lay out and identify the parts and hardware using the illustrations on page 3 and page 4.

ASSEMBLE THE HITCH MOUNT ASSEMBLY

STEP 1: (SEE FIGURE 1)

- Insert a slider tube (7) into each end of the hitch mount assembly (8).
- Attach the slider tube to the hitch mount assembly using two hex bolts (C), four washers (L), and two Nylock hex nuts (H). Do not tighten.

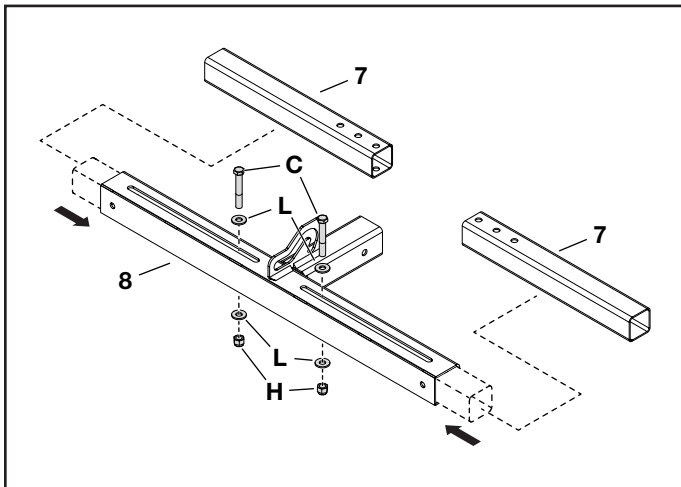


FIGURE 1

STEP 2: (SEE FIGURE 2)

- Attach the hitch mount assembly (8) to the tractor frame using two U-bolts (6) secured with two mounting brackets (5), four washers (J), and four hex nuts (E). Do not tighten.
- If the slider tube does not fully extend into both U-bolts (6), then loosen the appropriate hex bolt (C) and reposition the slider tube (7).
- Center the hitch mount assembly on the tractor frame.
- Tighten all hex bolts and hex nuts.

Note: Depending on your mower, U-bolts may need to be installed at an angle.

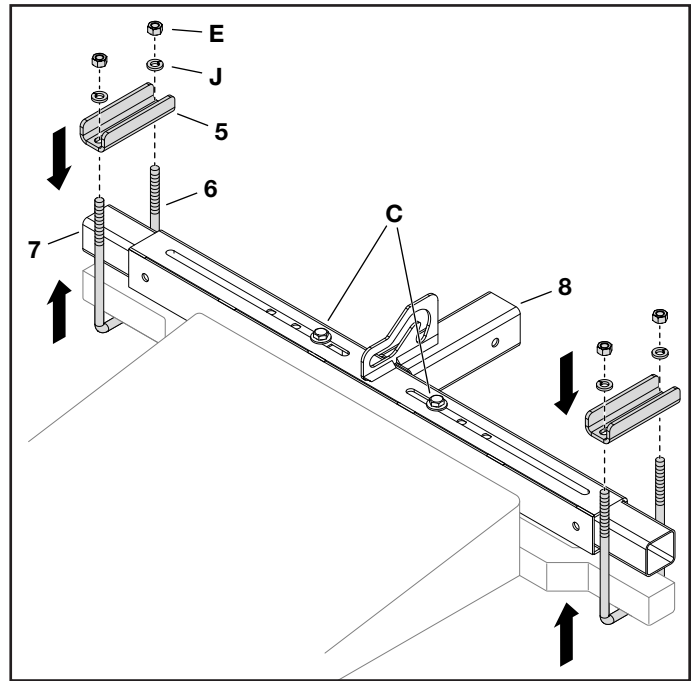


FIGURE 2

ASSEMBLE THE TUBE FRAME ASSEMBLY

STEP 3: (SEE FIGURE 3)

- Attach the tube frame (10) to the receiver hitch frame (9) using a hex bolt (D) and a Nylock hex nut (F). Do not tighten yet.
- Attach the rear tube frame (11) to the receiver hitch frame (9) using two hex bolts (D) and two Nylock hex nuts (F). Do not tighten yet.

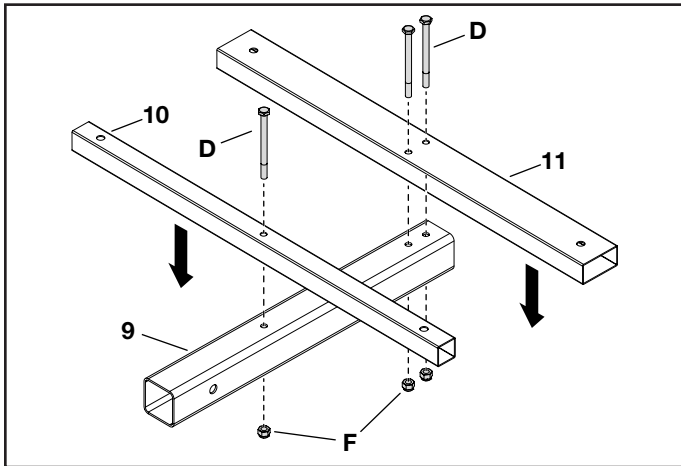


FIGURE 3

ATTACH TUBE FRAME ASSEMBLY TO THE TANK

STEP 4: (SEE FIGURE 4)

- Attach the tube frame assembly to the 15 gallon tank assembly (3) using four hex bolts (B) and four spacers (M).
- Now tighten tube frame bolts from Step 3.

Note: Do not overtighten the hex bolts

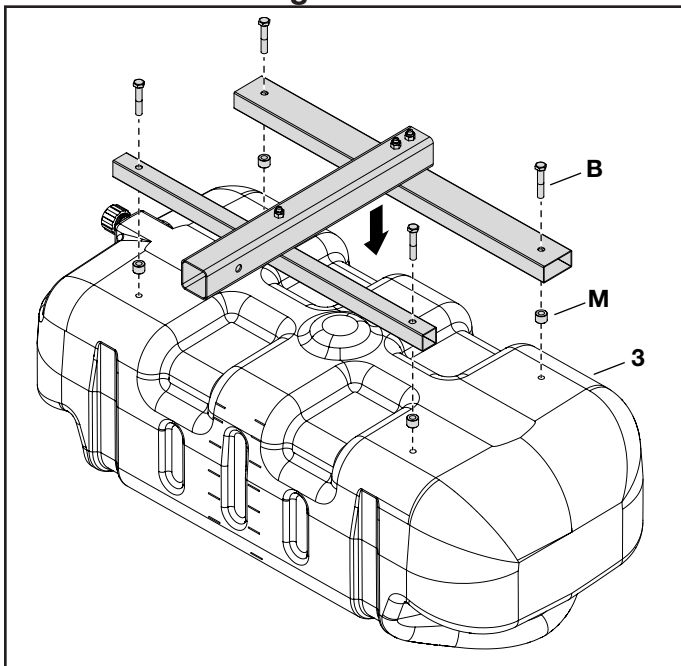


FIGURE 4

ATTACH THE TANK ASSEMBLY TO THE HITCH MOUNT ASSEMBLY

STEP 5: (SEE FIGURE 5)

- Attach the tank assembly to the hitch mount assembly using one clevis pin (N) and one hair cotter pin (O).

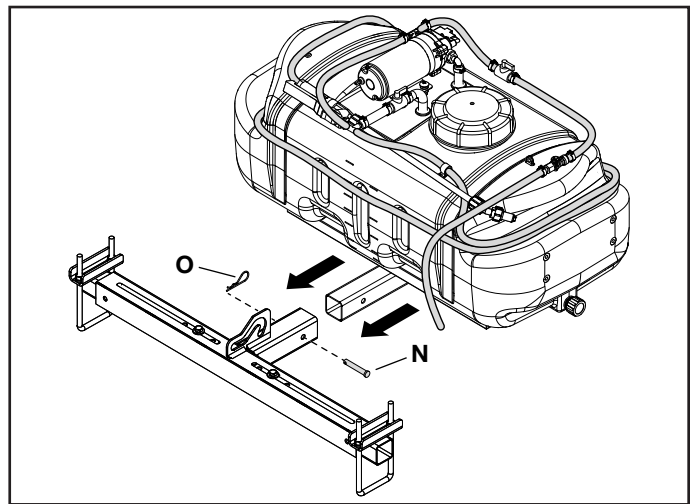


FIGURE 5

ATTACH THE BOOM ASSEMBLY TO THE BOOM SUPPORT BRACKET

STEP 6: (SEE FIGURE 6)

- Attach the boom support rods (4) to the boom assembly (1) using four hex nuts (I).
- Attach the boom support rods (4) to the boom support bracket (2) using four hex nuts (I).

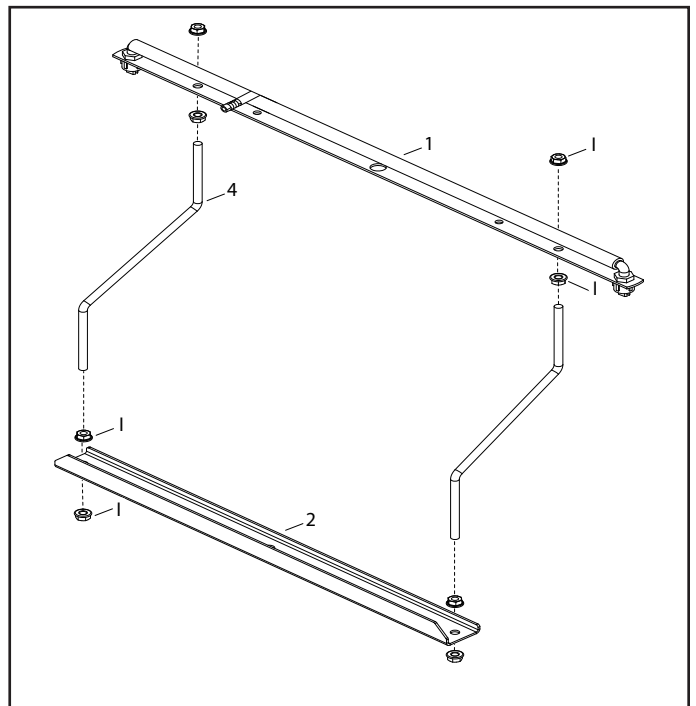


FIGURE 6

ATTACH THE BOOM SUPPORT BRACKET TO THE TRACTOR HITCH

STEP 7: (SEE FIGURE 7)

- Attach the boom support bracket (2) to the tractor hitch using one hex bolt (A), two washers (K), and one hex nut (G).

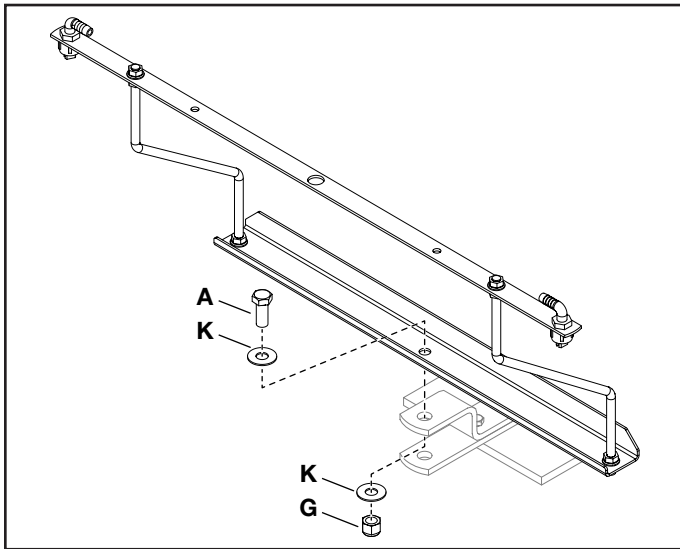


FIGURE 7

Note: May require hitch kit 45-0596

CONNECT TANK HOSE TO THE BOOM ASSEMBLY

STEP 8: (SEE FIGURE 8)

- Attach the tank hose to the 3/8" tee barb on the boom assembly .

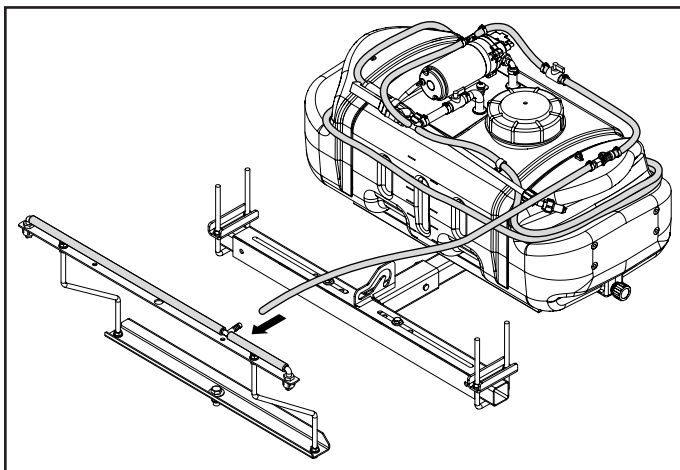


FIGURE 8

ATTACH WIRE HARNESS TO THE BATTERY

STEP 9: (SEE FIGURE 8)

- Attach ring terminals to the correct battery terminals (Note: Red to Red and Black to Black).
- Connect the wire harness switch (12) to the wire harness battery (13).
- Route the wire harness switch towards the sprayer using the plastic wire harness clips (P). **Note:** Be sure to secure the harness clear of exhaust, fans, and pinch points.
- Attach the wire harness switch (12) to pump harness.

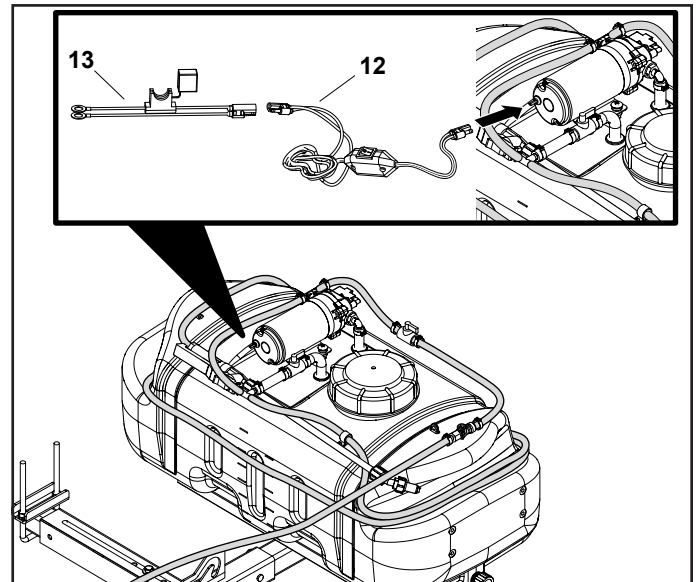


FIGURE 9

OPERATION



CAUTION: Connect to a 12 V battery only.

PUMP PRESSURE SWITCH

The pump pressure switch turns off the pump when it reaches its maximum pressure setting. Very low flow demand may cause the switch to rapidly cycle the pump on and off. Rapid on and off cycling must be limited to no more than 6 times per minute. Cycling could cause the motor to heat beyond the recommended maximum temperature and reduce the operational life of the pump and pressure switch.

SPRAYER CONTROLS

Boom ON-OFF valve shuts off the flow to the boom nozzles.

Recirculation valve adjust spray wand pressure and recirculation of spray material to the tank.

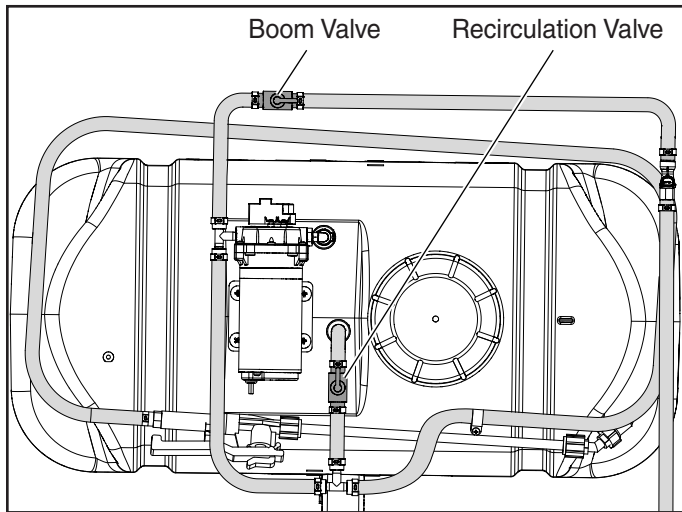


FIGURE 10

ADJUSTABLE SPRAY GUN NOZZLE

Twisting the nozzle will adjust the spray pattern from a cone shaped mist to a solid stream.

BEFORE STARTING

1. Attach the sprayer to the tractor hitch.
2. Connect the wire harness from the switch to the pump.
3. Check for leaks using plain water. Fix leaking fittings with thread tape.

USING THE SPRAYER



CAUTION: Wear eye and hand protection and protective clothing when handling and working with lawn chemicals.

1. Determine the application rate (gallons per 1,000 sq. feet) based on the chemical manufacturers recommendations.
2. Estimate the size of the area to be sprayed and the amount of solution that will be needed. This can help avoid unneeded solution left in the tank.
3. Refer to the application chart below to help determine the speed required to achieve the manufacturers recommended application rate.
4. Check spray tips. Tips should be aligned with boom as shown. If necessary, loosen spray tip cap nut. Align spray tip and tighten cap nut.
5. Test spray pattern with water on driveway or sidewalk. Each spray tip pattern should spread out to the right and left sides, rather than to the front and back of the boom. There should be some spray overlap between each tip and the spray patterns should be consistent.
6. Add the chemical solution to the tank, following the manufacturers recommendations.

APPLICATION CHART

Sprayer	Tip Size	PSI	GMP One Nozzle
15 Gallon	TP11008VP	35	0.75

Sprayer	Gallons per 1000 Sq. Ft.				
	2 mph	3 mph	4 mph	5 mph	6 mph
15 Gallon	74.3	50	37.2	29.7	24.75

USING THE SPRAY GUN

1. Shut off the boom by turning the boom valve to "OFF".

SPRAYER RECIRCULATION

1. The sprayer is equipped with a recirculation valve to aid in material agitation and pressure control.
2. This valve is in the "open" position when the valve handle is in line with the hose (pictured), "closed" when perpendicular to the hose.
3. Adjusting the recirculation valve between the open/closed positions will affect the pressure coming through the spray wand only.
4. Closed position is full pressure through spray wand or boom.
5. It may be helpful to adjust the pressure when spraying with the spray wand to avoid damage to plants from excess pressure.
6. This valve should be in the "closed" position when operating the boom.

MAINTENANCE

AFTER EACH USE

1. Fill the sprayer part way with water and pump the water out through the boom assembly and the handgun. Use the handgun to wash the inside of the tank.
2. Refill the tank about half full with water and a chemical neutralizer solution and repeat the cleaning instructions above. Follow the manufacturers instructions for disposal of all chemicals.

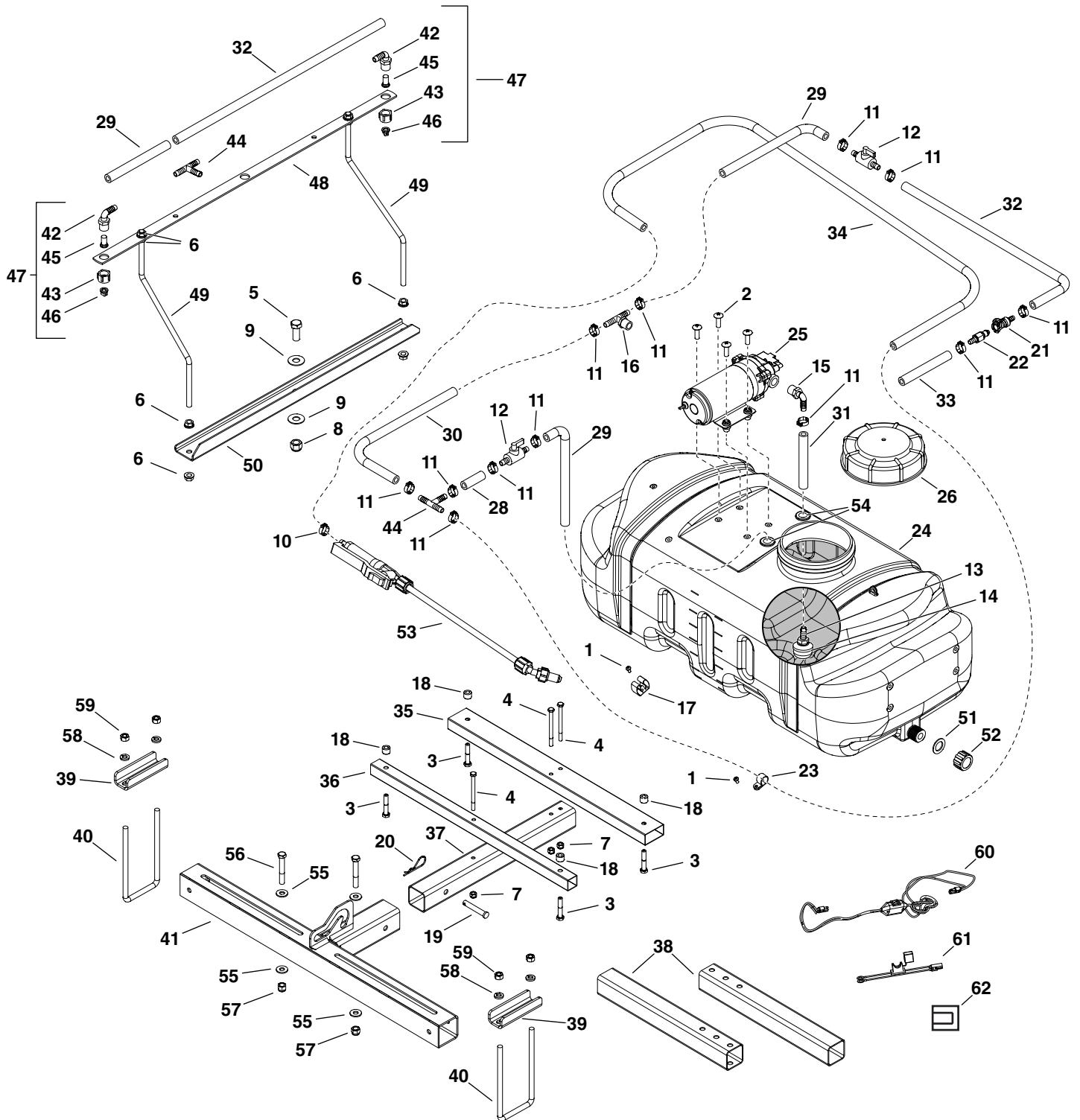
AS NEEDED

1. Periodically clean the tank strainer on the end of the intake hose. Remove the nylon swivel nut from the hose, pull out the screen and flush it with water.
2. Periodically clean the strainers in the boom nozzles. Remove the nozzle, pull out the screen and flush it with water.

WINTER STORAGE

1. Drain all water out of the sprayer, especially the pump and handgun. These items are prone to damage from freezing temperatures.
2. Winterize the sprayer by pumping a 50-50 solution of water and R. V. antifreeze through the boom assembly and the hand gun.

REPAIR PARTS FOR 45-0628 ZERO TURN SPRAYER



REPAIR PARTS FOR 45-0628 ZERO TURN SPRAYER

REF	QTY	PART NO	DESCRIPTION	REF	QTY	PART NO	DESCRIPTION
1	2	46677	Screw, 10-24 X 3/8 PL	35	1	2-539BL3	Tube, Frame Rear 1 X 2
2	4	ST65001	Screw, 10-24 X 1" Truss Head	36	1	2-540BL3	Tube, Frame
3	4	43084	Bolt, Hex 5/16-18 X 1-3/4 GR5	37	1	2-542BL3	Tube, Receiver Hitch
4	3	46071	Bolt, Hex 1/4-20 X 3-1/4	38	2	45814BL3	Slider Tube
5	1	43351	Bolt, Hex 1/2-13 X 1-1/4 GR5	39	6	45908BL3	Mounting Bracket
6	8	44072	Nut, Hex 3/8-16 Whizlock	40	2	45909	U-Bolt, 7.0 X 3.5 X 3/8"
7	3	47189	Nut, Hex 1/4-20 Nylock	41	1	69643BL3	Hitch Mount Ass'y
8	1	41657	Nut, Hex 1/2-13 Nylock	42	2	ST43011	Elbow 3/8" Barb Tip Fitting
9	2	1540-118	Washer, .531 X 1.25 X .062	43	2	ST43012	Tip Fitting Cap Nut
10	1	ST43655	Oetiker Clamp 3/8" 0165	44	2	ST43013	Tee 3/8" Barbs
11	12	ST43010	Oetiker Clamp 3/8" 0185	45	2	ST43016	Spray Tip Screen W/Check
12	2	ST43014	In Line Valve 3/8" Barb	46	2	ST43466	Spray Tip TP11008VP
13	1	ST43182	Sump Fitting 3/8" Barb	47	1	6-926	Boom Assembly ZT (Includes one 29, 32, 44) (Includes two 42, 43, 45, 46)
14	1	ST43258	Sump Strainer 3/8"				
15	1	ST43183	Elbow 3/8" Mp - 3/8" Barb	48	1	ST43169BL3	Center Boom
16	1	ST43235	Tee 3/8" Barb - 3/8" Barb - 3	49	2	2-741	Boom Support Rod
17	1	ST43287	Spray Wand Holder, Large	50	1	2-541BL3	Bracket, Boom Support
18	4	28325	Spacer, .31 ID X .585 OD X 41	51	1	ST43684	Washer For Drain Cap
19	1	HA23636	Pin, Clevis 3/8 X 2-1/4	52	1	ST43516	Drain Cap
20	1	43343	Pin, Hair Cotter 3/32 X 2-5/1	53	1	ST43673	Spray Wand With Brass Tip
21	1	2-684	Hose Disconnect Coupling Body	54	2	ST43844	Grommet 5/8 ID, 1-1/8 OD, 7/8
22	1	2-685	Hose Disconnect Coupling Insert	55	4	43081	Washer, .735 X .875 X .083
23	1	ST43191	Hose Holder 3/8"	56	2	43432	Bolt, Hex 3/8-16 X 2-1/2 GR5
24	1	2-465	15 Gallon Tank, Drilled	57	2	HA21362	Nut, Hex 3/8-16 Nylock
25	1	ST43918	Pump 12V, 100 PSI, 2.2 GPM	58	8	43003	Washer, Loc 3/8"
26	1	ST43175	Tank Fill Cap	59	8	43015	Nut, Hex 3/8-16
27	1	ST44017	Tank Fill Cap Lanyard (Not Shown)	60	1	ST43472	Wire Harness, Switch
28	1	2-342	Hose, 3/8" X 3.25"	61	1	ST43483	Wire Harness, Battery
29	2	2-319	Hose, 3/8" X 8.5"	62	2	ST43314	Plastic Wire Harness Clip
30	1	2-318	Hose, 3/8" X 12"	63	2	4-62	U-Bolt. 8" x 3.5" x 3/8" (not shown)
31	1	2-337	Hose, 3/8" X 14.75"	64	1	3-378	Owners Manual
32	2	2-314	Hose, 3/8" X 22"	65	1	3-288	Quick Start Guide
33	1	2-807	Hose, 3/8" X 132"				
34	1	2-345	Hose, 3/8" X 228"				

RÈGLES DE SÉCURITÉ

N'oubliez pas que tout équipement peut causer des blessures s'il est utilisé de manière incorrecte ou si l'utilisateur ne comprend pas comment l'utiliser. Faites preuve de prudence à tout moment lorsque vous utilisez cet équipement.



RECHERCHEZ CE SYMBOLE POUR SIGNALER D'IMPORTANTES PRÉCAUTIONS DE SÉCURITÉ. IL SIGNIFIE - FAITES ATTENTION! SOYEZ ALERTE! VOTRE SÉCURITÉ EST EN JEU.



ATTENTION : LE FREINAGE ET LA STABILITÉ DU VÉHICULE PEUVENT ÊTRE AFFECTÉS PAR L'AJOUT D'UN ACCESSOIRE OU D'UNE FIXATION. SOYEZ CONSCIENT DES CONDITIONS CHANGEANTES SUR LES PENTES.

Faites preuve de prudence à tout moment lorsque vous utilisez cet équipement électrique.

3. Lisez attentivement ce manuel du propriétaire pour connaître les instructions d'utilisation et d'entretien avant d'essayer d'assembler ou d'utiliser cet équipement. Soyez parfaitement familiarisé avec l'utilisation correcte de cet équipement.
4. Lisez le manuel du propriétaire du véhicule et les règles de sécurité du véhicule, et sachez comment utiliser le véhicule avant d'utiliser cet équipement.
5. Ne laissez jamais des enfants faire fonctionner le tracteur ou le pulvérisateur et ne laissez pas des adultes les faire fonctionner sans les instructions adéquates.
6. Ne laissez personne monter ou s'asseoir sur ce pulvérisateur.
7. Garder la zone de fonctionnement libre de personnes, particulièrement les jeunes enfants et aussi les animaux de compagnie.
8. Lisez les étiquettes relatives aux produits chimiques avant de les mélanger ou les manipuler.
9. Portez des protections pour les yeux et les mains et portez des vêtements de protection en manipulant et en appliquant des produits chimiques sur les pelouses.
10. Ne pulvérisez pas lors de jours venteux.
11. Commencez toujours avec la transmission à faible rapport et le moteur à basse vitesse, puis augmentez la vitesse graduellement, selon les conditions.
12. Le freinage et la stabilité du véhicule peuvent être affectés par l'installation de cet équipement. Soyez conscient des conditions changeantes sur les pentes. Consultez dans le manuel du propriétaire du véhicule les consignes de sécurité relatives au fonctionnement sécuritaire sur les pentes. **RESTEZ À L'ÉCART DES PENTES RAIDES.**
13. Toujours travailler en amont et en aval d'une pente, jamais en travers de celle-ci.
14. Cet équipement doit être utilisé à vitesse réduite sur les terrains accidentés, le long des ruisseaux et des fossés et sur les pentes, afin d'éviter le basculement et la perte de contrôle. Ne conduisez pas trop près d'un ruisseau ou d'un fossé.
15. Ne remorquez pas cet équipement sur une autoroute ou toute autre voie publique.
16. Suivez les instructions d'entretien décrites dans ce manuel du propriétaire.

ASSEMBLAGE DE L'ENSEMBLE D'ENTRETOISE

En fonction de votre tondeuse, le kit d'entretoise inclus peut être nécessaire pour s'assurer que le montage de l'attelage se fixe à votre tondeuse sans interférence.

ASSEMBLAGE D'ENTRETOISE SIMPLE

Placer le support de montage (Q) à plat sur le cadre avant du rayon zero. Ouvrir le côté du support vers le haut.

Placer l'ensemble du montage d'attelage (8) sur le support de fixation (Q)

À l'aide de deux boulons en U (R), fixez l'ensemble du montage d'attelage (8) avec deux supports de fixation (Q), quatre rondelles (S) et quatre écrous hexagonaux (T). Ne serrez pas.

Si le tube à glissière n'entre pas complètement dans les deux boulons en U (R), desserrez le boulon à six pans approprié (C) et repositionnez le tube à glissière (7).

Centrez l'assemblage du montage d'attelage sur le cadre du tracteur.

Serrez tous les boulons à six pans et les écrous à six pans.

Remarque : En fonction de votre tondeuse, il peut être nécessaire d'installer les boulons en U à un certain angle.

ASSEMBLAGE D'ENTRETOISE DOUBLE

Placer le support de montage (Q) sur le cadre avant du rayon zero. Ouvrir le côté du support vers le bas.

Placer le deuxième support de fixation (Q) sur le premier support de fixation (Q). Ouvrir le côté du support vers le haut.

Placer l'ensemble du montage d'attelage (8) sur le support de fixation (Q)

À l'aide de deux boulons en U (R), fixez l'ensemble du montage d'attelage (8) avec deux supports de fixation (Q), quatre rondelles (S) et quatre écrous hexagonaux (T). Ne serrez pas.

Si le tube à glissière n'entre pas complètement dans les deux boulons en U (R), desserrez le boulon à six pans approprié (C) et repositionnez le tube à glissière (7).

Centrez l'assemblage du montage d'attelage sur le cadre du tracteur.

Serrez tous les boulons à six pans et les écrous à six pans.

Remarque : En fonction de votre tondeuse, il peut être nécessaire d'installer les boulons en U à un certain angle.

INSTRUCTIONS D'ASSEMBLAGE

OUTILS REQUIS POUR L'ASSEMBLAGE

- (1) Clé réglable
- (2) Clés 7/16 po
- (2) Clés 1/2 po
- (2) Clés 9/16 po

Disposez et identifiez les pièces et le matériel à l'aide des illustrations à la page 3 et la page 4.

ASSEMBLER LE MONTAGE D'ATTELAGE

ÉTAPE 1: (VOIR LA FIGURE 1)

- Insérez un tube à glissière (7) dans chaque embout de l'assemblage du montage d'attelage (8).
- Fixez le tube à glissière à l'assemblage du montage d'attelage à l'aide des deux écrous hexagonaux (C), quatre rondelles (L) et deux écrous à six pans Nylock (H). Ne pas serrer.

ÉTAPE 2: (VOIR LA FIGURE 2)

- Fixez l'assemblage du montage d'attelage (8) au cadre du tracteur à l'aide de deux boulons en U (6) soutenus par deux supports de montage (5), quatre rondelles (J) et quatre écrous à six pans Nylock (E). Ne pas serrer.
- Si le tube à glissière n'entre pas complètement dans les deux boulons en U (6), desserrez le boulon à six pans approprié (C) et repositionnez le tube à glissière (7).
- Centrez l'assemblage du montage d'attelage sur le cadre du tracteur.
- Serrez tous les boulons à six pans et les écrous à six pans.

ASSEMBLER LE SUPPORT TUBULAIRE

ÉTAPE 3: (VOIR LA FIGURE 3)

- Fixez le support tubulaire (10) au cadre de l'attelage du récepteur (9) en utilisant deux boulons hexagonaux (D) et un écrou Nylock (F).
- Fixez le support tubulaire (11) au cadre de l'attelage du récepteur (9) en utilisant deux boulons hexagonaux (D) et un écrou Nylock (F).

FIXER L'ASSEMBLAGE DU SUPPORT TUBULAIRE AU RÉSERVOIR

ÉTAPE 4: (VOIR FIGURE 4)

- Fixez l'assemblage du support tubulaire au réservoir de 15 gallons (9), à l'aide de quatre boulons hexagonaux (B) et quatre espaceurs (M).

Remarque : ne serrez pas trop les boulons hexagonaux

FIXER L'ASSEMBLAGE DU RÉSERVOIR À L'ASSEMBLAGE DU MONTAGE D'ATTELAGE

ÉTAPE 5: (VOIR LA FIGURE 5)

- Fixez l'assemblage du réservoir à l'assemblage du montage d'attelage, à l'aide d'un axe d'épaulement (N) et une goupille bêta (O).

FIXER L'ASSEMBLAGE DE LA RAMPE AU SUPPORT DE RAMPE

ÉTAPE 6: (VOIR FIGURE 6)

- Fixez l'assemblage de rampe (1) au support de la rampe (2) à l'aide de quatre écrous hexagonaux (I).

FIXER LE SUPPORT DE LA RAMPE À L'ATTELAGE DU TRACTEUR

ÉTAPE 7: (VOIR LA FIGURE 7)

- Fixez le support de rampe à l'attelage du tracteur à l'aide d'un boulon à six pans (A), deux rondelles (K) et un boulon à six pans (G).

CONNECTER LE TUYAU DU RÉSERVOIR À L'ASSEMBLAGE DE LA RAMPE

ÉTAPE 8: (VOIR LA FIGURE 8)

- Fixez le tuyau du réservoir à la barbelure en T 3/8 po à l'assemblage de la rampe .

FIXER LE FAISCEAU DE FILS À LA BATTERIE

ÉTAPE 9: (VOIR LA FIGURE 8)

- Fixez l'interrupteur du faisceau de fils (12) à la batterie du faisceau de fils (13).
- Fixez l'interrupteur du faisceau de fils (12) à l'harnais de la pompe.

FONCTIONNEMENT



ATTENTION : Connectez seulement à une batterie de 12 V.

COMMUTATEUR DE PRESSION DE POMPE

La pression de la pompe se met à l'arrêt lorsqu'elle atteint le réglage de pression maximal. Si la demande de débit est très basse, cela peut faire en sorte que le commutateur fera faire une succession rapide de cycles marche et arrêt à pompe. Ces cycles ne doivent pas dépasser 6 cycles par minute. Ces cycles pourraient entraîner une surchauffe du moteur au-delà de la température maximale et réduire la vie de fonctionnement de la pompe et du commutateur de pression.

COMMANDES DU PULVÉRISATEUR

La soupape de la rampe active ou désactive le débit vers les buses de la rampe.

La soupape de recirculation permet de régler la pression de la lance de pulvérisation et la recirculation du liquide vers le réservoir.

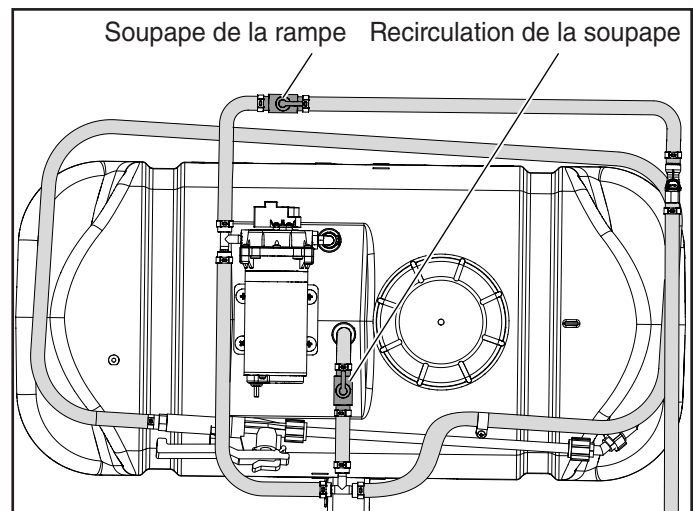


FIGURE 10

BUSE RÉGLABLE DE PISTOLET DE PULVÉRISATION

Pour ajuster le débit de pulvérisation, tournez la buse du motif en cône au un jet droit.

AVANT DE DÉMARRER

1. Fixez le pulvérisateur à l'attelage du tracteur.
2. Connectez les fils du harnais du commutateur à la pompe.
3. Vérifiez qu'il n'y ait pas de fuite en utilisant de l'eau seulement. Réparez les fuites aux jonctions avec du ruban à filetage.

UTILISATION DU PULVÉRISATEUR



ATTENTION : Portez des protections pour les yeux et les mains et portez des vêtements de protection lors de la manipulation et de l'application de produits chimiques sur les pelouses.

1. Déterminez le taux d'application (gallons par 1 000 pi²) selon les recommandations des fabricants de produits chimiques.
2. Estimez la dimension de la zone à être pulvérisée et la quantité de solution dont vous aurez besoin. Cela évitera d'avoir un reste de solution inutilisée dans le réservoir.
3. Référez-vous au tableau d'application ci-dessous pour vous aider à déterminer la vitesse requise pour atteindre le taux d'application recommandé par le fabricant.
4. Vérifiez les embouts de pulvérisation. Les embouts devraient être alignés sur la rampe tel qu'illustré. Si nécessaire, desserrez l'écrou borgne de l'embout de pulvérisation. Alignez l'embout de pulvérisation et serrez l'écrou borgne.
5. Effectuez un test du motif de pulvérisation avec de l'eau dans l'entrée ou sur le trottoir. Chaque motif de pulvérisation doit s'étendre sur les côtés droit et gauche, plutôt que sur l'avant et l'arrière de la rampe. Il devrait y avoir un chevauchement de pulvérisation entre chaque embout et les motifs de pulvérisation devraient être constants.
6. Ajoutez la solution chimique au réservoir en suivant les recommandations des fabricants.

TABLEAU D'APPLICATION

Pulvérisateur	Dimension de l'embout	PSI	GPM une buse
15 gallons	TP11008VP	35	0,75

Pulvérisateur	Gallons par 1000 pi ² .				
	3,2 km/h (2 mi/h)	4,8 km/h (3 mi/h)	6,4 km/h (4 mi/h)	8 km/h (5 mi/h)	9,6 km/h (6 mi/h)
15 gallons	74,3	50	37,2	29,7	24,75

UTILISATION DU PISTOLET DE PULVÉRISATION

1. Éteindre la rampe en tournant la soupape de la rampe à « OFF ».

RECIRCULATION DU PULVÉRISATEUR

1. Ce pulvérisateur est muni d'une soupape de recirculation qui permet d'agiter le matériau et contrôler la pression.
2. Cette soupape est en position « ouverte » lorsque la poignée de la soupape est alignée avec le tuyau (illustré) et « fermée » lorsqu'elle est perpendiculaire au tuyau.
3. Ajuster la soupape de recirculation entre les positions ouverte/fermée aura un effet sur la pression qui sort de la lance de pulvérisation.
4. La position fermée indique une pression maximale dans la lance de pulvérisation ou la lampe.
5. Il peut être utile d'ajuster la pression en pulvérisant avec la lance de pulvérisation pour éviter d'endommager les plantes avec une trop grande pression.
6. Cette soupape devrait être en position « fermée » lors de l'utilisation de la rampe.

ENTRETIEN

APRÈS CHAQUE UTILISATION

1. Remplissez le réservoir à moitié avec de l'eau et pompez l'eau dans l'assemblage de la rampe et le pistolet. Utilisez le pistolet pour nettoyer l'intérieur du réservoir.
2. Remplissez le réservoir environ à la moitié avec de l'eau seulement et un neutralisant chimique et répétez les instructions de nettoyage ci-dessus. Suivez les instructions des fabricants pour l'élimination de tous les produits chimiques.

AU BESOIN

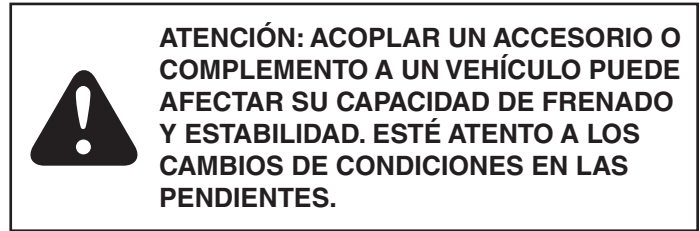
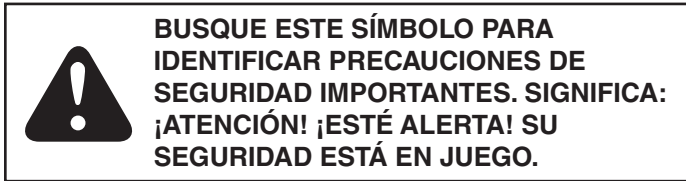
1. Nettoyez périodiquement le moustiquaire du réservoir au bout de l'entrée du tuyau. Retirez l'écrou tournant en nylon du boyau, tirez le moustiquaire et lavez-le avec de l'eau seulement.
2. Nettoyez périodiquement les moustiquaires des buses de la rampe. Retirez la buse, tirez sur le moustiquaire et lavez-le avec de l'eau.

REMISAGE D'HIVER

1. Drainez toute l'eau du pulvérisateur, particulièrement de la pompe et du pistolet. Ces éléments sont facilement endommagés lors de gels.
2. Préparez le pulvérisateur pour l'hiver en pompant une solution moitié-moitié d'eau et d'antigel RV dans l'assemblage de la rampe et le pistolet.

NORMAS DE SEGURIDAD

Recuerde que cualquier equipo puede causar lesiones si se utiliza incorrectamente, o si el usuario no sabe utilizarlo. Tenga cuidado en todo momento al usar este equipo.



Tenga cuidado en todo momento al usar dispositivos eléctricos.

1. Lea atentamente este manual del propietario para conocer las instrucciones de funcionamiento y mantenimiento, antes de intentar armar o utilizar este equipo. Debe conocer en profundidad cómo utilizarlo correctamente.
2. Lea el manual del propietario y las normas de seguridad del vehículo y conozca cómo conducirlo, antes de usar este equipo.
3. Nunca permita que los niños operen el tractor o el pulverizador, y no permita que los adultos lo utilicen sin recibir instrucciones adecuadas.
4. No permita que nadie monte ni se siente en el pulverizador.
5. Mantenga el área de trabajo despejada; asegúrese de que no haya ninguna persona, en especial niños pequeños, ni tampoco mascotas.
6. Lea la etiqueta química antes de manipular o mezclar productos químicos.
7. Use protección para los ojos y las manos y lleve ropa protectora cuando manipule y aplique productos químicos para el césped.
8. No rocíe cuando haya viento.
9. Siempre comience con la transmisión en la primera marcha (baja) y el motor a baja velocidad, y acelere gradualmente, según lo permitan las condiciones.
10. Acoplar este equipo a un vehículo puede afectar su capacidad de frenado y estabilidad. Esté atento a los cambios de condiciones en las pendientes. Consulte las normas de seguridad en el manual del propietario del vehículo relativas a conducir de modo seguro en las pendientes. **MANTÉNGASE ALEJADO DE LAS PENDIENTES PRONUNCIADAS.**
11. Transite siempre hacia arriba y hacia abajo de una pendiente, nunca la atraviese.
12. Este equipo debe manejarse a velocidad reducida en terrenos accidentados, a lo largo de arroyos y zanjas y en laderas, para evitar vuelcos y pérdida de control. No conduzca demasiado cerca de arroyos ni zanjas.
13. No remolque este equipo en una carretera ni en ninguna otra vía pública.
14. Siga las instrucciones de mantenimiento descritas en este manual del propietario.

ENSAMBLAJE DEL KIT DE SEPARADORES

Dependiendo de su podadora, es posible que sea necesario usar el kit de espaciadores incluido para asegurar que el conjunto de montaje del enganche se fije a su podadora sin interferencias.

ENSAMBLAJE DEL ESPACIADOR ÚNICO

Coloque el soporte de montaje (Q) de forma plana en la estructura delantera de giro cero. Abra el costado del soporte que está orientado hacia arriba.

Coloque el conjunto de montaje del enganche (8) en el soporte de montaje (Q)

Use los dos pernos U (R) para fijar el conjunto de montaje del enganche (8) con dos soportes de montaje (Q), cuatro arandelas (S) y cuatro tuercas hexagonales (T). No apriete.

Si la barra deslizante no se extiende completamente en ambos pernos U (R), afloje el perno hexagonal correspondiente (C) y reubique la barra deslizante (7).

Coloque el montaje de enganche en el centro del bastidor del tractor.

Ajuste todos los pernos y tuercas hexagonales.

Nota: Dependiendo de su podadora, es posible que los pernos U deban instalarse de forma angular.

ENSAMBLAJE DEL ESPACIADOR DOBLE

Coloque el soporte de montaje (Q) en la estructura delantera de giro cero. Abra el costado del soporte que está orientado hacia abajo.

Coloque el segundo soporte de montaje (Q) en la parte superior del primer soporte de montaje (Q). Abra el costado del soporte que está orientado hacia arriba.

Coloque el conjunto de montaje del enganche (6) en los soportes de montaje (Q)

Use los dos pernos U (R) para fijar el conjunto de montaje del enganche (8) con dos soportes de montaje (Q), cuatro arandelas (S) y cuatro tuercas hexagonales (T). No apriete.

Si la barra deslizante no se extiende completamente en ambos pernos U (R), afloje el perno hexagonal correspondiente (C) y reubique la barra deslizante (7).

Coloque el montaje de enganche en el centro del bastidor del tractor.

Ajuste todos los pernos y tuercas hexagonales.

Nota: Dependiendo de su podadora, es posible que los pernos U deban instalarse de forma angular.

INSTRUCCIONES PARA EL ARMADO

HERRAMIENTAS NECESARIAS PARA EL ARMADO

- (1) Llave ajustable
- (2) Llaves de 7/16"
- (2) Llaves de 1/2"
- (2) Llaves de 9/16"

Despliegue las piezas y los herrajes e identifíquelos guiándose por las ilustraciones en las páginas 3 y 4.

ARMAR EL MONTAJE DE ENGANCHE

PASO 1: (VER FIGURA 1)

- Inserte una barra deslizante (7) en cada extremo del montaje de enganche (8).
- Fije la barra deslizante al montaje de enganche con dos pernos hexagonales (C), cuatro arandelas (L) y dos tuercas hexagonales Nylock (H). Deje sin ajustar.

PASO 2: (VER FIGURA 2)

- Fije el montaje de enganche (8) al bastidor del tractor con dos pernos U (6), asegurados con dos soportes de montaje (5), cuatro arandelas (J) y cuatro tuercas hexagonales Nylock (E). Deje sin ajustar.
- Si la barra deslizante no se extiende completamente en ambos pernos U (6), afloje el perno hexagonal correspondiente (C) y reubique la barra deslizante (7).
- Coloque el montaje de enganche en el centro del bastidor del tractor.
- Ajuste todos los pernos y tuercas hexagonales.

MONTAR LAS BARRAS DEL BASTIDOR ARMADO

PASO 3: (VER FIGURA 3)

- Fije la barra del bastidor (10) al bastidor de enganche receptor (9), usando un perno hexagonal (D) y una tuerca hexagonal Nylock (F).
- Fije la barra trasera del bastidor (11) al bastidor de enganche receptor (9) con dos pernos hexagonales (D) y dos tuercas hexagonales Nylock (F).

FIJAR EL BASTIDOR ARMADO AL TANQUE

PASO 4: (VER FIGURA 4)

- Fije las barras del bastidor armado al tanque de 15 galones (9) usando cuatro pernos hexagonales (B) y cuatro separadores (M).

Nota: No apriete demasiado los pernos hexagonales

FIJAR EL MONTAJE DEL TANQUE AL MONTAJE DE ENGANCHE

PASO 5: (VER FIGURA 5)

- Fije el montaje del tanque al montaje del enganche armado con un pasador de chaveta (N) y un pasador de horquilla (O).

FIJAR EL MONTAJE DEL BRAZO AL SOPORTE DEL BRAZO

PASO 6: (VER FIGURA 6)

- Fije el montaje del brazo (1) al soporte del brazo (2) usando cuatro tuercas hexagonales (I).

FIJAR EL SOPORTE DEL BRAZO AL ENGANCHE DEL TRACTOR

PASO 7: (VER FIGURA 7)

- Fije el soporte del brazo al enganche del tractor con un perno hexagonal (A), dos arandelas (K) y una tuerca hexagonal (G).

CONECTAR LA MANGUERA DEL TANQUE AL MONTAJE DEL BRAZO

PASO 8: (VER FIGURA 8)

- Conecte la manguera del tanque a la lengüeta en T de 3/8" en el montaje del brazo.

CONECTAR EL ARNÉS DE CABLEADO A LA BATERÍA

PASO 9: (VER FIGURA 8)

- Conecte el interruptor del arnés de cableado (12) a la batería del arnés de cableado (13).
- Conecte el interruptor del arnés de cableado (12) a la batería del arnés de la bomba.

FUNCIONAMIENTO



ATENCIÓN: Conectar solo a una batería de 12 V.

INTERRUPTOR DE PRESIÓN DE LA BOMBA

La bomba de presión apaga la bomba, cuando esta alcanza su ajuste máximo de presión. Una demanda de flujo muy baja podría provocar que el interruptor fuerce a la bomba a hacer ciclos rápidos de encendido y apagado. Estos ciclos rápidos deben limitarse a no más de 6 veces por minuto. Los ciclos pueden hacer que el motor se caliente por encima de la temperatura máxima recomendada y se reduzca la vida útil de la bomba y del interruptor de presión.

CONTROLES DEL PULVERIZADOR

La válvula de APERTURA-CIERRE de la barra pulverizadora corta el suministro a las boquillas del brazo.

La válvula de recirculación ajusta la presión de la varilla pulverizadora y la recirculación del material rociado al tanque.

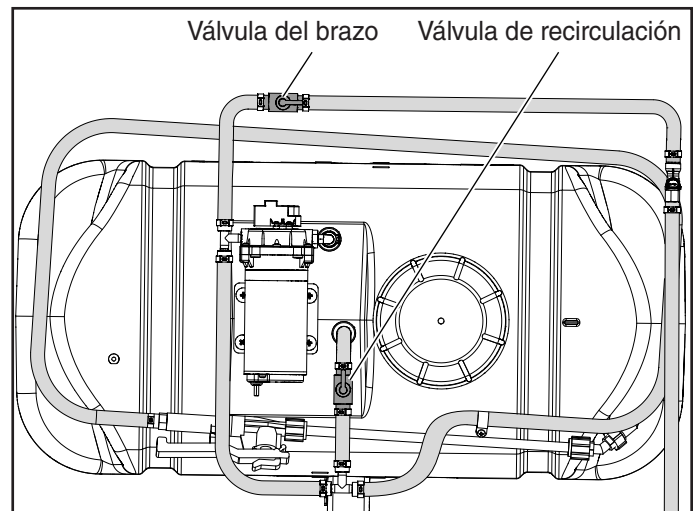


FIGURA 10

BOQUILLA AJUSTABLE DE LA PISTOLA PULVERIZADORA

Gire la boquilla para ajustar el patrón de pulverización de un rociado en forma cónica a un chorro único.

ANTES DE COMENZAR

1. Fije el pulverizador al enganche del tractor.
2. Conecte el arnés de cableado que sale del interruptor a la bomba.
3. Verifique si hay fugas con agua corriente. Repare las conexiones que tengan fugas con cinta para roscas.

USAR EL PULVERIZADOR



ATENCIÓN: Use protección para los ojos y las manos y lleve ropa protectora cuando manipule y trabaje con productos químicos para el césped.

1. Determine la dosis de aplicación (galones por 1000 ft²) basándose en las recomendaciones del fabricante del producto químico.
2. Estime el tamaño del área a rociar y la cantidad de solución que necesitará. Esto le ayudará a evitar que quede solución sin utilizar en el tanque.
3. Consulte la tabla de aplicación a continuación para ayudarse a determinar la velocidad requerida, a fin de cumplir con la dosis de aplicación recomendada por el fabricante.
4. Revise las puntas pulverizadoras. Las puntas deben estar alineadas con el brazo como se muestra. De ser necesario, afloje la tuerca ciega de la punta pulverizadora. Alinee la punta pulverizadora y apriete la tuerca ciega.
5. Pruebe el patrón de pulverización con agua sobre una acera o entrada para vehículos. Cada patrón de punta de pulverización debe extenderse hacia los lados derecho e izquierdo, en lugar de por delante y detrás del brazo. Debe haber algo de superposición entre cada punta y los patrones de pulverización deben coincidir.
6. Añada la solución química al tanque siguiendo las recomendaciones del fabricante.

USAR LA PISTOLA PULVERIZADORA

1. Apague el brazo girando su válvula a la posición "OFF" (CIERRE).

RECIRCULACIÓN DEL PULVERIZADOR

1. El pulverizador está equipado con una válvula de recirculación para ayudar con la agitación del material y el control de la presión.
2. Esta válvula está en la posición de abierta, cuando la manivela de la válvula queda alineada con la manguera, y está cerrada, cuando queda perpendicular a la manguera.
3. Ajustar la válvula de recirculación entre las posiciones abierta/cerrada afectará la presión que pasa por la varilla pulverizadora.
4. La posición cerrada lleva toda la presión por la varilla pulverizadora.
5. Puede ser útil ajustar la presión cuando se rocía con la varilla pulverizadora, para evitar dañar plantas por exceso de presión.
6. Esta válvula debe estar en la posición "cerrada" al operar el brazo.

TABLA DE APLICACIÓN

Pulverizador	Tamaño de punta	PSI	GMP una boquilla
15 galones	TP11008VP	35	0.75

Pulverizador	Galones por 1000 ft ²				
	2 mph	3 mph	4 mph	5 mph	6 mph
15 galones	74.3	50	37.2	29.7	24.75

MANTENIMIENTO

DESPUÉS DE CADA USO

1. Llène una parte del tanque con agua y bombéela por el montaje del brazo y la pistola. Use la pistola para lavar el interior del tanque.
2. Llène el tanque hasta la mitad con agua y una solución de neutralizador químico y repita el proceso de limpieza anterior. Siga las instrucciones del fabricante para desechar todos los productos químicos.

SEGÚN SEA NECESARIO

1. Limpie periódicamente el filtro del tanque en el extremo de la manguera de entrada. Quite la tuerca giratoria de nailon de la manguera, saque el filtro y lávelo con agua.
2. Limpie periódicamente los filtros de las boquillas del brazo. Quite la boquilla, retire el filtro y lávelo con agua.

ALMACENAMIENTO EN INVIERNO

1. Vacíe toda el agua del pulverizador, en especial de la bomba y la pistola. Estos elementos son propensos a sufrir daños a causa de las temperaturas heladas.
2. Prepare el pulverizador para el invierno bombeando una solución 50-50 de agua y anticongelante R V a través del montaje del brazo y la pistola.

THIS PAGE INTENTIONALLY LEFT BLANK

SpeedEPart *the fastest way to purchase parts* www.speedepart.com

REPAIR PARTS

Agri-Fab, Inc.
809 South Hamilton
Sullivan, IL. 61951
217-728-8388
www.agri-fab.com

This document (or manual) is protected under the U.S. Copyright Laws and the copyright laws of foreign countries, pursuant to the Universal Copyright Convention and the Berne convention. No part of this document may be reproduced or transmitted in any form or by any means, electronic or mechanical, including photocopying or recording, or by any information storage or retrieval system, without the express written permission of Agri-Fab, Inc. Unauthorized uses and/or reproductions of this manual will subject such unauthorized user to civil and criminal penalties as provided by the United States Copyright Laws.