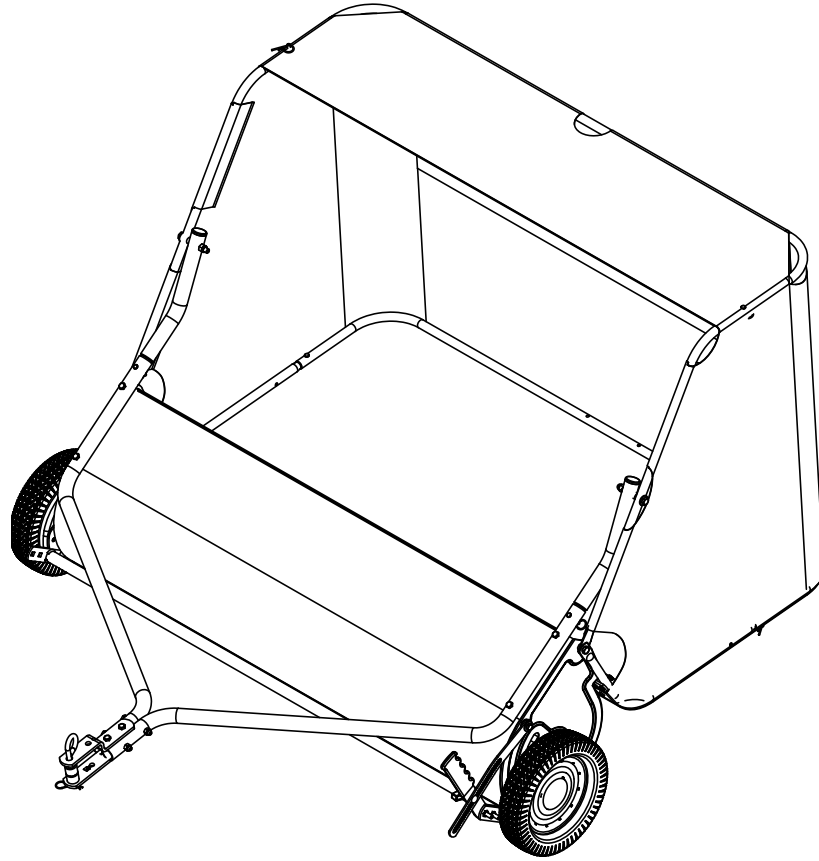


Agri+Fab®

Lawn Care Made Easy®



45-05464

52" HEAVY DUTY LAWN SWEEPER

Want more information or assembly tips?



**Video
Instruction
Guide**

youtube.com/c/agrifab



.....4	FRANÇAIS.....14
ENGLISH.....5	ESPAÑOL.....17

SAFETY

Any power equipment can cause injury if operated improperly or if the user does not understand how to operate the equipment. Exercise caution at all times when using power equipment.



Look for this symbol to point out important safety precautions. It means — **Attention!! Become alert!!** Your safety is involved.



CAUTION: Never attach the hopper rope to any part of your body or clothing! **Never hold onto** the rope while towing the sweeper! **Attach the rope** to the towing vehicle to keep it away from wheels and rotating parts.

1. Read the vehicle and sweeper owners manuals and know how to operate your vehicle and sweeper before using this sweeper attachment. Always instruct other users before they operate the sweeper.
2. Do not permit children to operate sweeper.
3. Do not permit anyone to ride on sweeper.
4. Never attach the hopper rope to any part of your body or clothing! Never hold onto the rope while towing the sweeper! Attach the rope to the towing vehicle to keep it away from wheels and rotating parts.
5. Operate the sweeper at reduced speed on rough terrain, near ditches and on hillsides to prevent loss of control.
6. Vehicle braking and stability may be affected with the attachment of this sweeper. Do not fill sweeper to maximum capacity without checking the capability of the towing vehicle to safely pull and stop with the sweeper attached. **Stay off of steep slopes.**
7. Stop and inspect vehicle and sweeper for damage after striking an object. Repair any damage before continuing operation.
8. Keep sweeper away from fire. Excessive heat can damage the brushes and hopper bag and could cause the bag and its contents to burn.
9. Before storing the sweeper, always empty the hopper bag to avoid spontaneous combustion.
10. Follow maintenance and lubrication instructions as outlined in the maintenance section of this manual.



SÉCURITÉ

Tout appareil mécanique utilisé incorrectement peut être la cause de blessures. L'utilisateur doit bien en maîtriser le fonctionnement. Observez en tout temps la plus grande prudence lorsque vous utilisez un appareil mécanique.

1. Lisez les manuels du propriétaire du véhicule et de la balayeuse et apprenez à faire fonctionner votre véhicule et la balayeuse avant d'utiliser les outils de la balayeuse. Partagez toujours vos connaissances avec les autres utilisateurs avant qu'ils ne se servent de la balayeuse.
2. N'autorisez jamais des enfants à faire fonctionner la balayeuse.
3. Ne permettez à quiconque de se déplacer sur la balayeuse.
4. N'attachez jamais le cordage de la trémie à votre corps ou à vos vêtements ! Ne maintenez jamais le cordage en tractant la balayeuse ! Fixez le cordage au véhicule tracteur afin de l'éloigner des roues et des pièces en mouvement.
5. Faites fonctionner la balayeuse à petite vitesse sur les terrains cahoteux, à proximité de tranchées et sur des pentes afin d'éviter tout de perte de contrôle.
6. Le freinage et la stabilité du véhicule peuvent être compromis avec l'outil de cette balayeuse. Ne remplissez pas la balayeuse à sa capacité maximum sans vérifier la capacité du véhicule de traction à tirer et à s'arrêter en toute sécurité avec la balayeuse attachée. Éloignez-vous des pentes raides.
7. Arrêtez et inspectez le véhicule et la balayeuse à la recherche de détériorations après avoir heurté un objet. Réparez toutes les avaries avant de poursuivre le fonctionnement.
8. Éloignez la balayeuse de toute source d'inflammation. Une chaleur excessive peut endommager les brosses ainsi que le sac de récupération des débris et peut provoquer l'incendie du sac et de son contenu.
9. Avant d'entreposer la balayeuse, videz toujours le sac de récupération des débris afin d'éviter une combustion spontanée.
10. Appliquez les instructions de graissage et de maintenance conformément à la section Maintenance de ce manuel.



Ce symbole attire l'attention sur des mesures de sécurité importantes. Il signifie: «Attention, demeurez vigilant, votre sécurité en dépend.»

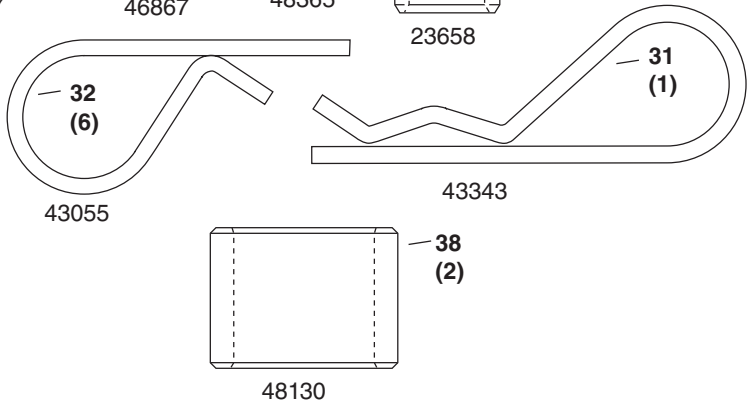
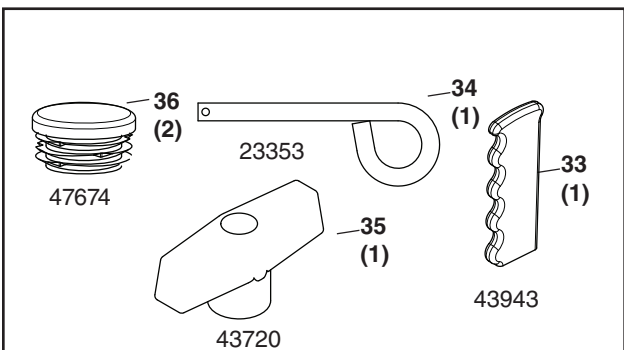
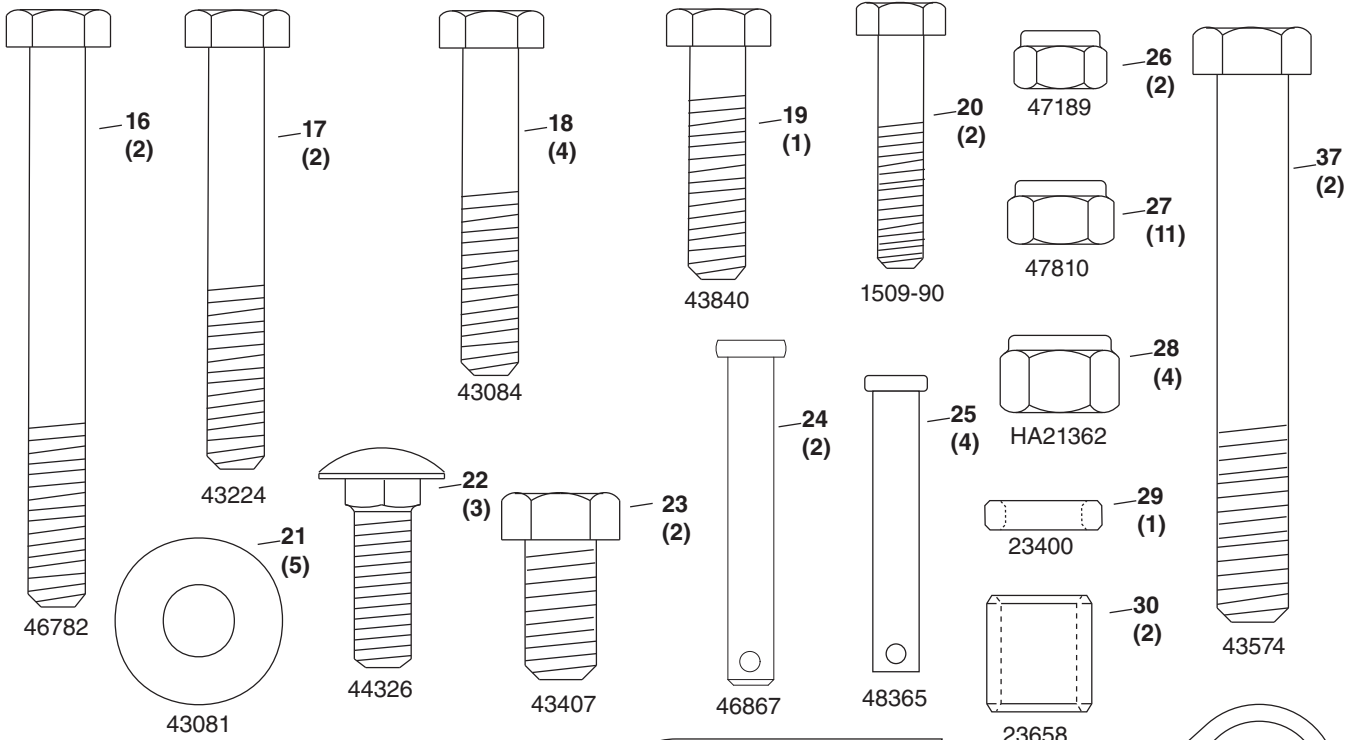
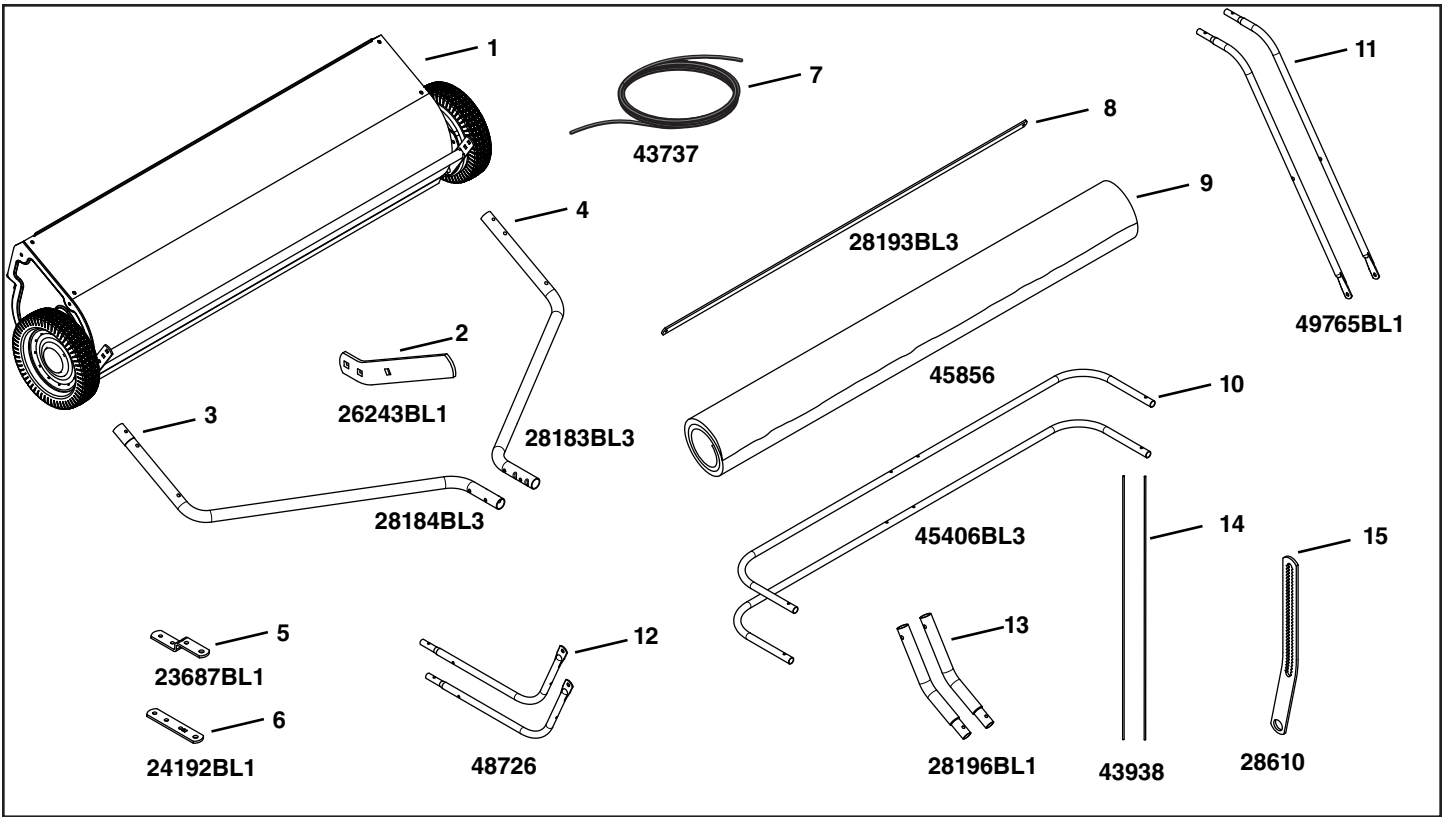
NORMAS DE SEGURIDAD

Recuerde, cualquier equipo motorizado puede causar lesiones si se usa en forma inapropiada o si el usuario no entiende como operarlo. Sea precavido siempre que use equipo motorizado.

1. Lea los manuales del usuario de la barredora y del vehículo de arrastre y conozca su operación antes de usar este accesorio de barredora. Siempre instruya a otros usuarios sobre su operación, antes de que operen su barredora.
2. No permita que los niños operen la barredora.
3. No permita que nadie se monte en la barredora.
4. ¡Nunca se amarre la cuerda de la tolva al cuerpo o a la ropa! ¡Nunca se sostenga de la cuerda mientras remolca la barredora! Amarre la cuerda al vehículo de arrastre para mantener la barredora alejada de ruedas y partes rotatorias.
5. En terreno quebrado, cerca de zanjas o en colinas, opere la barredora a baja velocidad para prevenir la pérdida de control.
6. La estabilidad y frenado del vehículo de arrastre pueden afectarse con el enganche de esta barredora. No llene la barredora a su máxima cabida sin antes verificar la capacidad del vehículo de arrastre para remolcar y detenerse en forma segura con la barredora enganchada. No opere en cuestas empinadas.
7. Deténgase e inspeccione el vehículo de arrastre y la barredora después de haber golpeado algún objeto. Repare cualquier daño que haya causado antes de continuar la operación.
8. Mantenga la barredora alejada del fuego. El calor excesivo puede dañar los cepillos y la bolsa de la tolva y causar el incendio de la bolsa y su contenido.
9. Antes de guardar la barredora, siempre vacíe la bolsa de la tolva para evitar la combustión espontánea de su contenido.
10. Siga las instrucciones de lubricación y mantenimiento como se señalan en la sección de mantenimiento de este manual.



Este símbolo indica precauciones importantes de seguridad. Significa - ¡ATENCIÓN! Su seguridad está en riesgo



ASSEMBLY

TOOLS REQUIRED FOR ASSEMBLY

- (2) 7/16" Open End or Box End Wrenches
- (2) 1/2" Open End or Box End Wrenches
- (2) 9/16" Open End or Box End Wrenches

Note: Right hand (R.H.) and left hand (L.H.) are determined from the operator's position while seated on the tractor.

- Assemble the R.H. and L.H. hitch tubes to the sweeper housing using four 5/16" x 1-3/4" hex bolts (18) and 5/16" nylock nuts (27). **Do not tighten yet.**

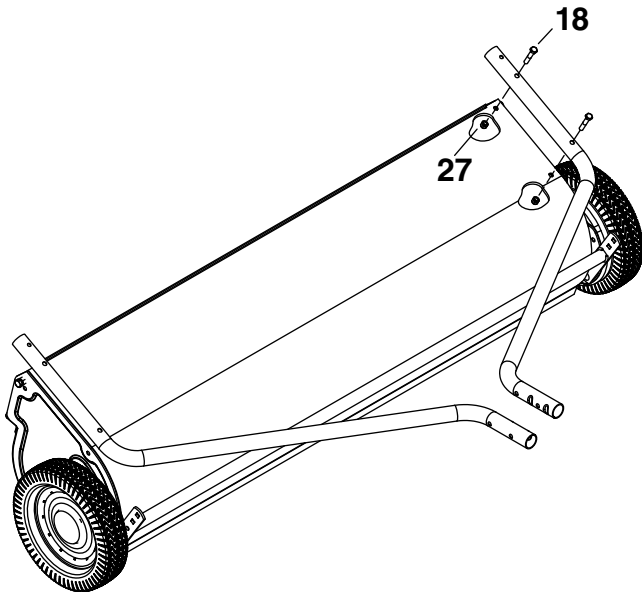


FIGURE 1

- Install two 5/16" x 3" hex bolts (16) and 5/16" nylock nuts (27) in the ends of the hitch tubes. **Do not tighten yet.**

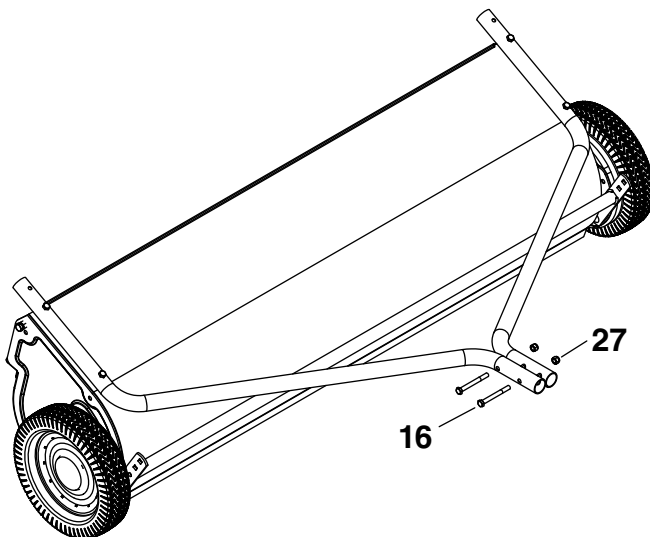


FIGURE 2

- Measure the height of your tractor's drawbar. The height will determine the arrangement of the sweeper hitch brackets.
- Assemble the hitch brackets to the hitch tubes using two 5/16" x 2-1/4" hex bolts (17) and 5/16" nylock nuts (27). If your tractor drawbar has 10" or more ground clearance, place the bent hitch bracket on top. If it has less than 10" clearance, place the straight hitch bracket on top. **Do not tighten yet.**
- Tighten** all loose bolts and nuts as follows: Tighten the bolts and nuts assembled in figure 1. Tighten the bolts and nuts assembled in figure 2.
- Assemble the hitch pin (34), two spacers (38), and the large hairpin cotter (31) to the hitch brackets.

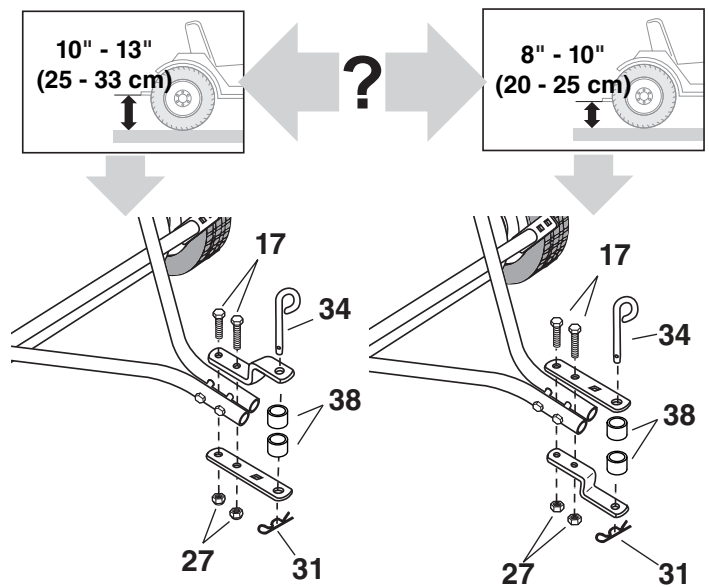


FIGURE 3

- Install the height adjustment handle grip (33). Assemble the height adjustment handle (2) to the **inside** of the bracket on the end of the height adjustment tube. Use two 5/16" x 1" carriage bolts (22) and 5/16" nylock nuts (27). **Tighten.**

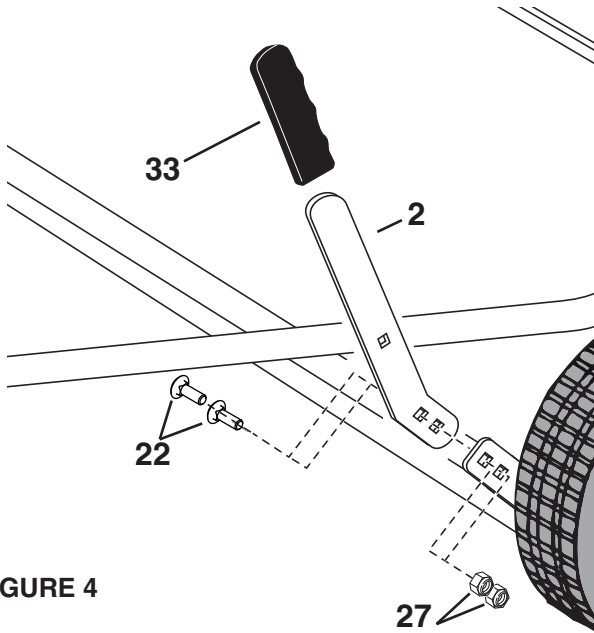


FIGURE 4

- Assemble onto a 5/16" x 1-1/4" hex bolt (19) in the order listed, a 5/16" flat washer (21), a small spacer (29), the height adjustment strap (15) and another 5/16" flat washer (21). Insert the bolt through the hole in the end of the sweeper housing and secure it with a 5/16" nylock nut (27). **Tighten. Note: Hole in end of sweeper may be obscured by the wheel.**
- Insert a 5/16" x 1" carriage bolt (22) through the height adjustment handle (2) and the height adjustment strap (15). Assemble a 5/16" flat washer (21) and the plastic knob (35) onto the end of the bolt.

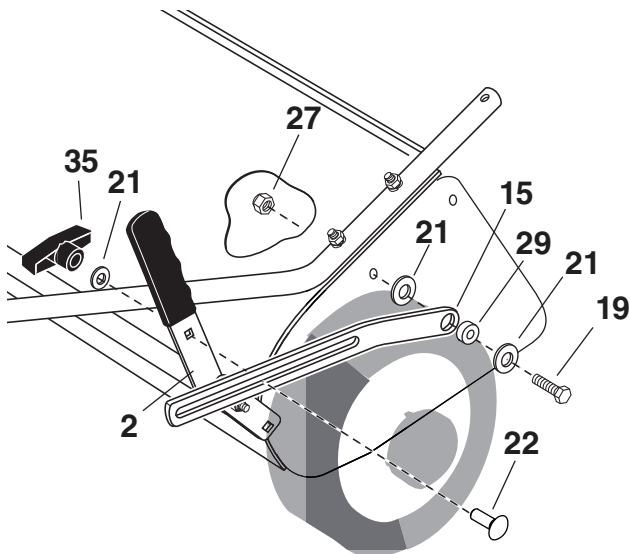


FIGURE 5

- Fit the ends of the two upper hopper tubes (11) into the ends of a rear hopper tube (10). Align the holes in the ends of the tubes and secure them in place using two 1/4" x 1-1/8" clevis pins (25) and small hairpin cotters (32).

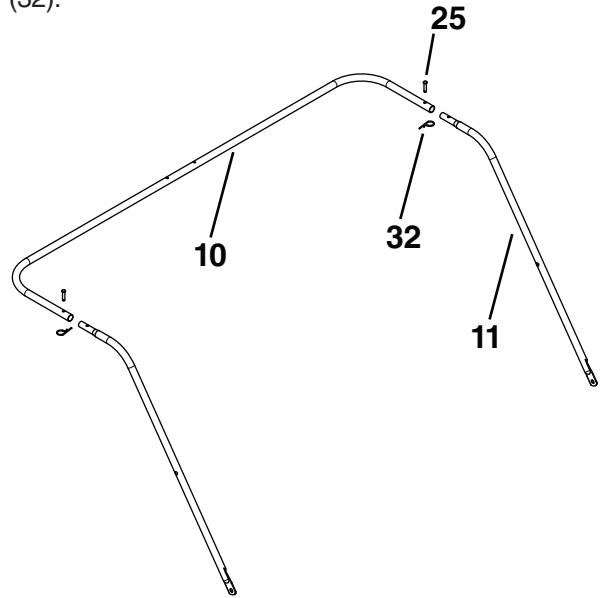


FIGURE 6

- Fit the ends of the two lower hopper tubes (12) into the ends of a rear hopper tube (10). Align the holes in the ends of the tubes and secure them in place using two 1/4" x 1-1/8" clevis pins (25) and small hairpin cotters (32).

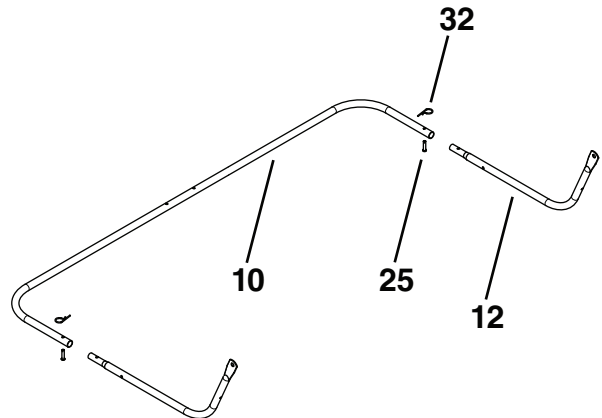


FIGURE 7

- Unfold the hopper bag and lay the bag out with the wind screen on top.
- Place the assembled lower hopper tubes into the bottom of the hopper bag and then slide the tubes to the back of the bag.

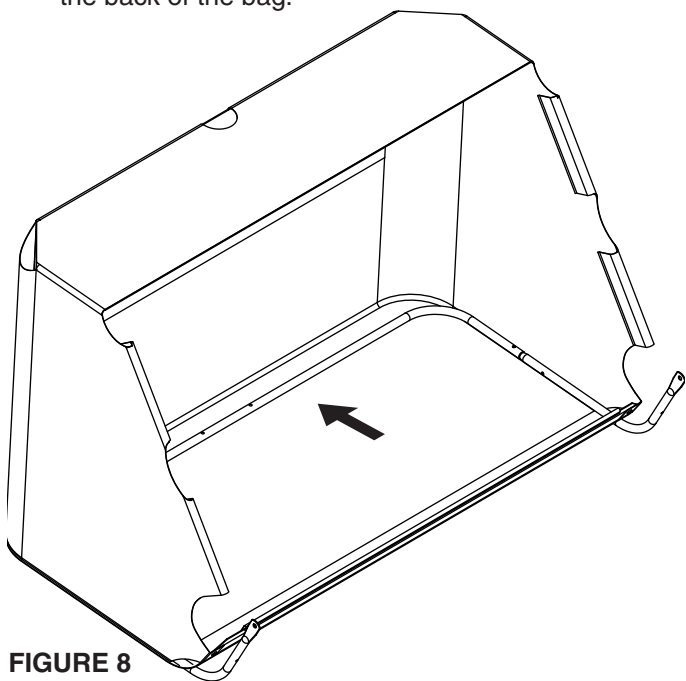


FIGURE 8

- Slide the upper hopper tubes back underneath the mesh wind screen and attach the ends of the upper hopper tubes to the **outside** of the lower hopper tubes using two 3/8" x 3/4" hex bolts (23) and 3/8" nylock nuts (28), inserting the bolt from the inside of the bag. Tighten and then loosen 1/4 to 1/2 turn.

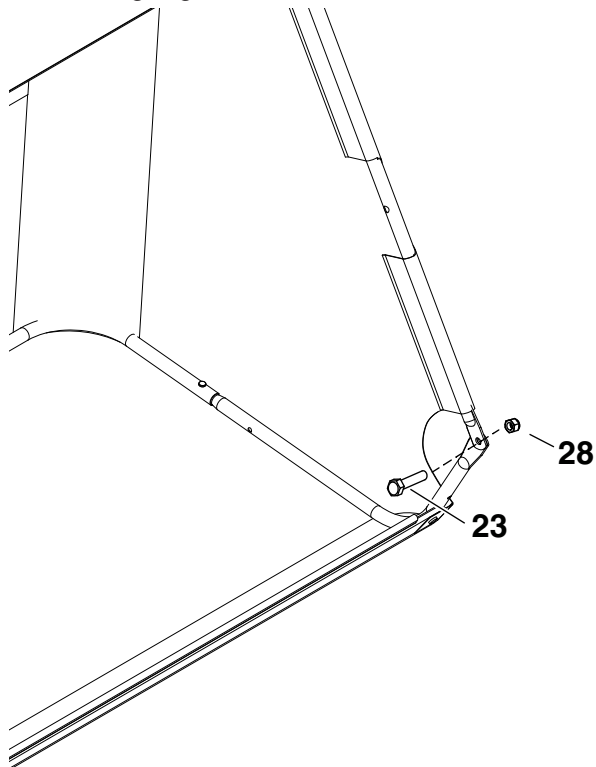


FIGURE 10

- Insert the ends of the assembled upper hopper tubes down through the sleeves in the sides of the hopper bag.

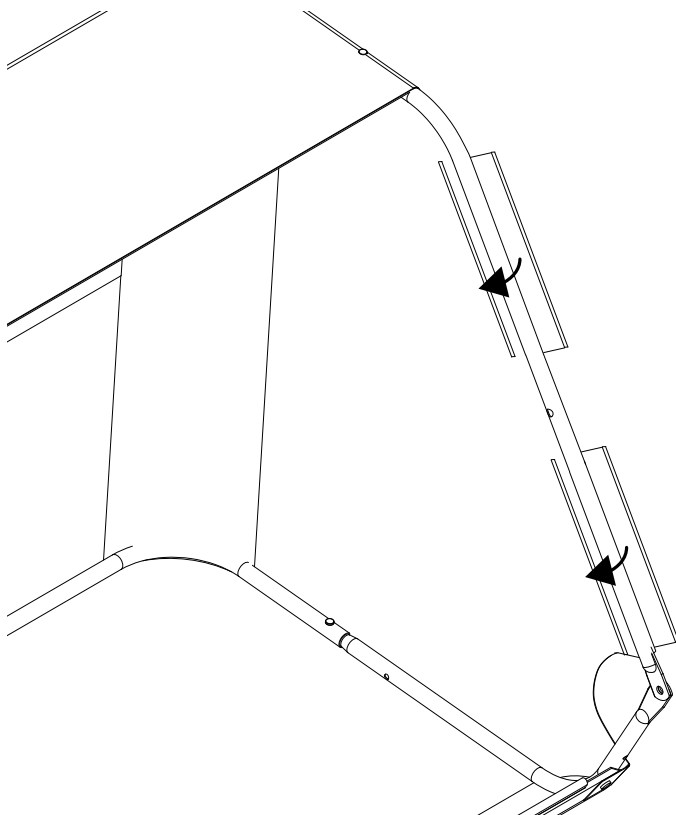


FIGURE 9

- Insert the ends of the hopper support rods (14) into the holes in the upper and lower rear hopper tubes by flexing the rods just enough to fit into the holes.

IMPORTANT: Do not over-flex the rods. Over-flexing will cause the steel rods to lose supporting tension.

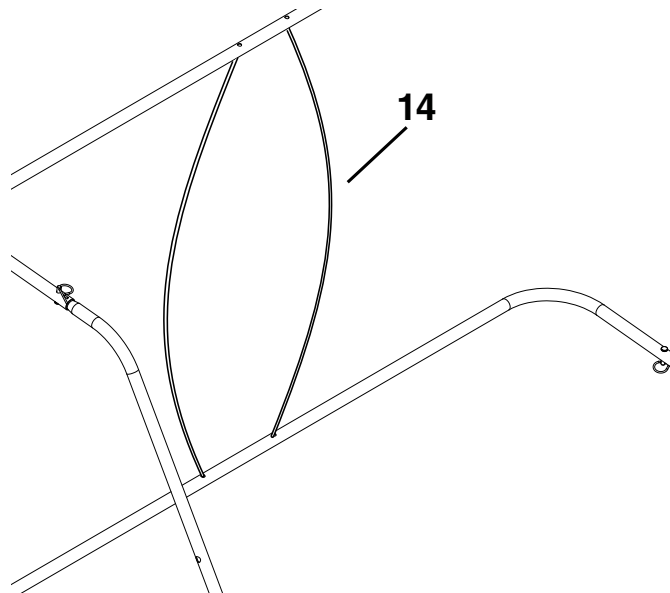


FIGURE 11

- Install the plugs (36) into the ends of the bag arm tubes (13).

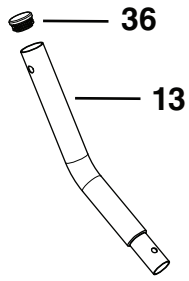


FIGURE 12

- Insert a 3/8 x 3" hex bolt (37) through a flat washer (21) and then through the upper hopper tube. Install a 5/8" long spacer (30) and a bag arm tube (13) onto the end of the bolt. Secure with a 3/8" nylock nut (28). Tighten and then loosen 1/2 a turn. Make sure the bag arm tube is able to rotate about the hex bolt. Repeat for the other side.

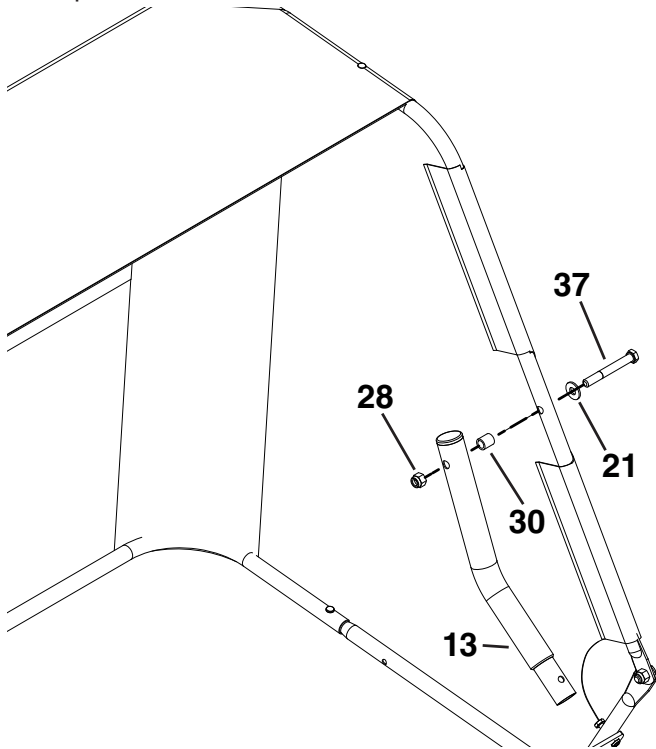


FIGURE 13

- Insert the bag frame strap (8) through the stitched sleeve at the front edge of the bag bottom.

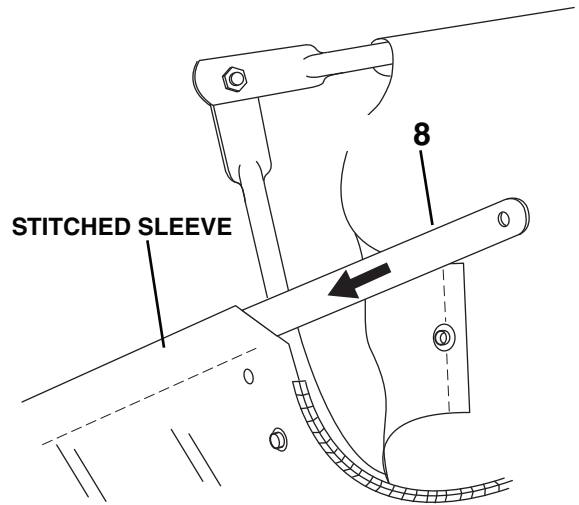


FIGURE 14

- Attach the bag frame strap to the lower hopper tubes (12) using two 1/4" x 1-1/4" hex bolts (20) and 1/4" nylock nuts (26).
- Fold the bag flaps around the lower hopper tubes and attach to the snaps on the bag bottom.

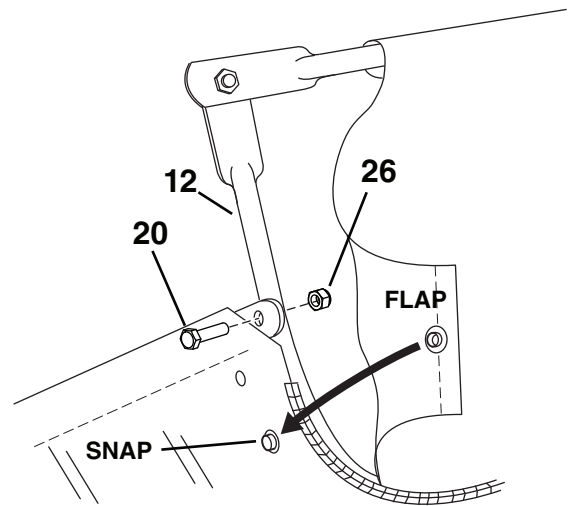


FIGURE 15

- Tie the rope (7) to the center of the upper rear hopper tube.

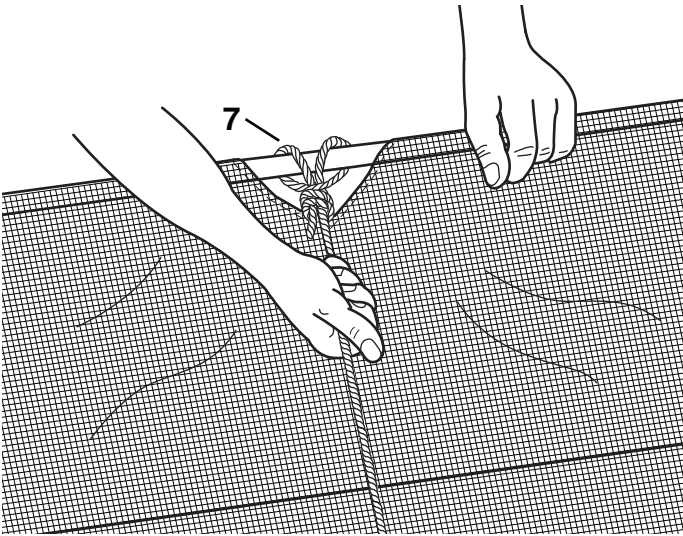


FIGURE 16

- Attach the bag assembly to the sweeper housing, sliding the ends of the bag arm tubes (13) into the ends of the sweeper's hitch tubes. Secure the tubes with two 1/4" x 1-3/4" clevis pins (24) and small hair cotter pins (32).

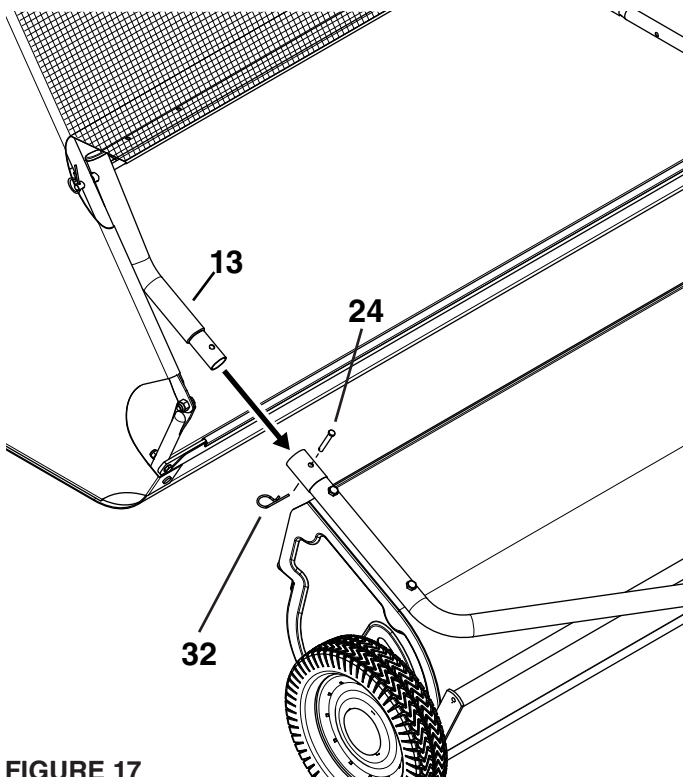


FIGURE 17

ATTACHING SWEEPER HITCH TO TRACTOR

1. Place the tractor and sweeper on a flat level surface.
2. Set the sweeper height adjustment handle to about the middle of its adjustment range.
3. Adjust height until brushes are 1/2" down into grass.
4. Use the instructions on the next page to adjust the hitch height properly for your tractor.

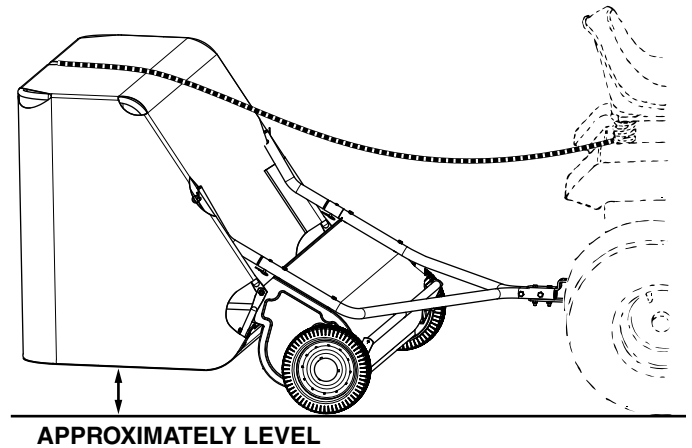
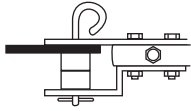
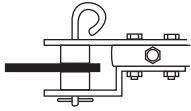
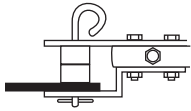
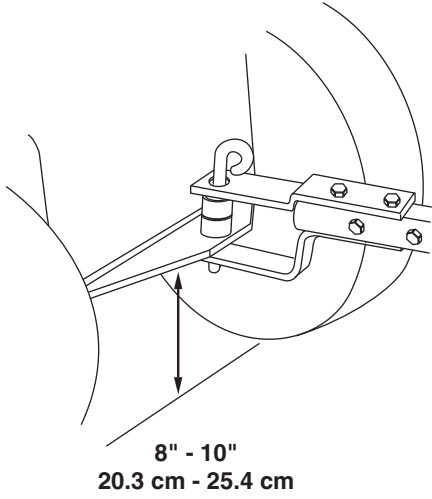
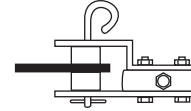
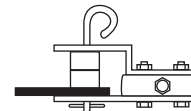
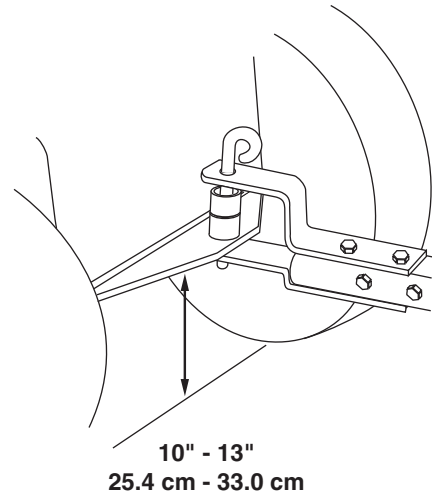


FIGURE 18

GROUP "A" - For vehicles with hitches having 8" to 10" ground clearance.

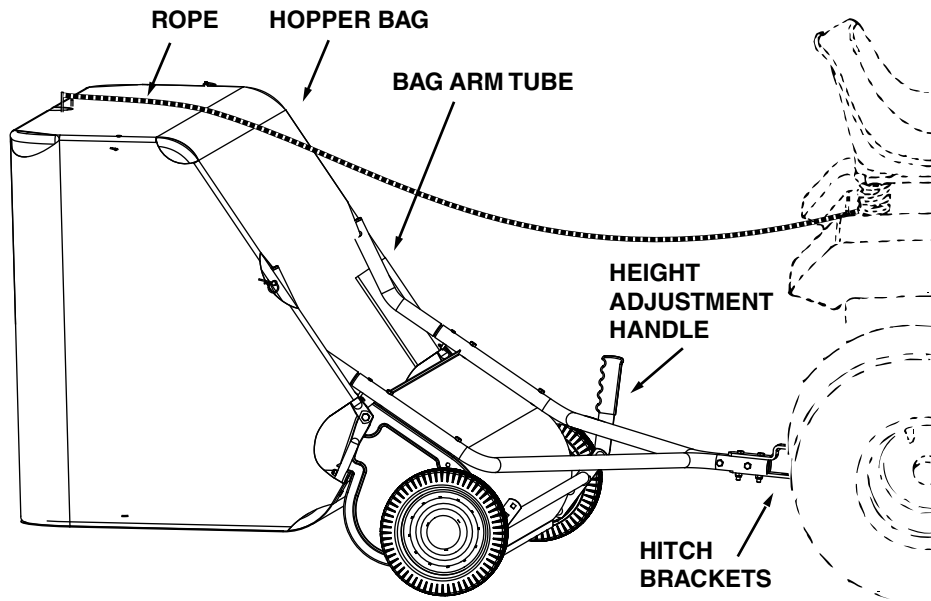


GROUP "B" - For vehicles with hitches having 10" to 13" ground clearance.



OPERATION

KNOW YOUR SWEEPER



Hopper Bag

Collects grass clippings, leaves and debris.

Rope

Permits dumping of hopper bag from the drivers seat.

Bag Arm Tubes

Connects the hopper bag to the sweeper housing.

Height Adjustment Handle

Adjusts the operating height of the sweeper.

Hitch Brackets

Connect the sweeper to the towing vehicle. Adjustable for various height tractor hitches.

BRUSH HEIGHT ADJUSTMENT

To adjust your sweeper brushes to the best operating height, loosen the plastic knob and use the height adjustment lever to raise or lower the brush. Best adjustment is when the brush setting is 1/2" down into the grass. Always mow the grass to an even height before sweeping. When desired height is set tighten the plastic knob.

SWEEPING SPEED

Try a starting speed of approximately 3 m.p.h. (third gear on most tractors). Depending on the conditions, it may be necessary to adjust the sweeping speed in order to achieve best results.

IMPORTANT: Do not exceed 6 mph. Excessive speed may damage wheels and gears.

DUMPING OF SWEEPER

Your sweeper can be dumped easily without getting off of the rider or tractor. Simply pull the rope forward to dump the hopper. Always empty hopper after each use.



CAUTION: Never attach the hopper rope to any part of your body or clothing! **Never hold onto** the rope while towing the sweeper! **Attach the rope** to the towing vehicle to keep it away from wheels and rotating parts.



CAUTION: Keep sweeper away from fire. Excessive heat can damage the brushes and hopper bag and could cause the bag and its contents to burn.

MAINTENANCE

CUSTOMER RESPONSIBILITIES

Read and follow the maintenance schedule and the procedures listed in the maintenance section.

MAINTENANCE SCHEDULE Fill in dates as you complete regular service.	Service Dates					
	Before each use	After each use	Twice a year	Every season	Before storage	Every two years
Check for loose fasteners	X					
Check for worn or damaged parts	X		X			
Lubricate wheel bearings			X			
Clean Sweeper		X		X		
Clean/Lubricate gears					X	

SCHEDULED MAINTENANCE

1. Clean the sweeper after each use. Check the height adjustment slot for packed debris
2. Inspect for worn or damaged parts, such as brushes and wheels.

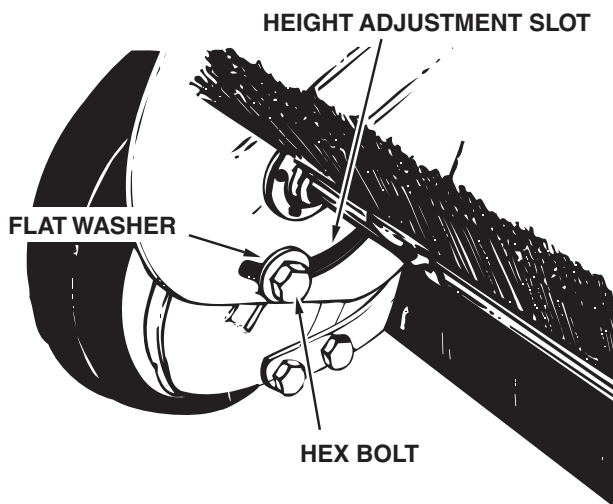


FIGURE 19

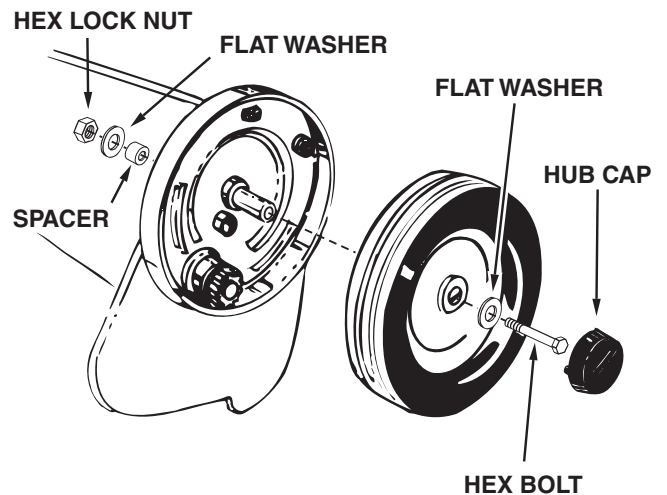


FIGURE 20

3. Every two years, remove the wheels and clean the gears found inside the wheel housing. After cleaning, lubricate with an even coat of light grease. To remove the wheel, pop off the hub cap using a screwdriver. Use a 9/16" open ended wrench on the lock nut inside the sweeper, and the other 9/16" open ended wrench on the bolt through the wheel.

CLEANING

1. Clean sweeper housing with a soft brush or cloth.
2. Clean debris from hopper bag with a brush or broom.
3. Remove any material which has wrapped around brushes or ends of brush shaft.

STORAGE



CAUTION: Before storing the sweeper, always empty the hopper bag to avoid spontaneous combustion.

1. Clean the sweeper and hopper bag thoroughly to help prevent rust and mildew.
2. To collapse the hopper bag for storage, remove the two hopper support rods from the rear of the hopper.
3. Store in a dry area.

SERVICE AND ADJUSTMENTS

BRUSH REPLACEMENT

NOTE: Brush replacement should be done one brush at a time.

1. Remove the hopper bag from the sweeper.
2. Loosen the hex bolts and lock nuts on two single brush retainers which clamp one brush to the double brush retainers. **Do Not loosen** or remove the bolts which fasten the double brush retainers to the brush shaft. See figure 21.
3. Slide the brush out of the retainers, noting on which side of the brush the bristles overlap. See figure 21.
4. Install new brush, making sure the bristles overlap on the same side of the brush as before. See figure 21.

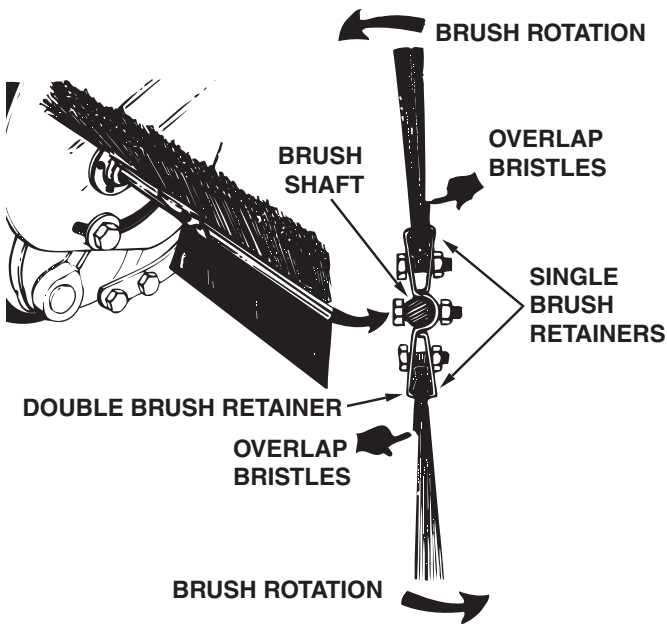


FIGURE 21

WHEEL GEAR AND PAWL SERVICE

IMPORTANT: Do not remove both wheels at the same time to avoid mixing of parts. (The R.H. and L.H. pinion gears are not interchangeable.) **Make notes** on the position of washers and snap rings during disassembly.

1. Remove one wheel from the sweeper.
2. Remove the retaining rings and washers which hold the pinion gear onto the brush shaft.
3. Remove the gear by sliding it off the brush shaft. (Look for the drive pin, which may fall out of the brush shaft when the ratchet gear is removed.) See figure 22.
4. To reassemble, insert the drive pin into the hole in the brush shaft. Make sure the pin slides back and forth easily in the shaft.
5. Lightly grease the shaft and fill the pinion gear with grease. Assemble the gear back onto the shaft.
6. Lightly grease the axle and the wheel's gear teeth and then reassemble the wheel. The brushes should rotate **only** during forward rotation of the wheel. If the brushes are driven (rotated) by both forward and reverse rotation of the wheel, the drive pin is jamming in the pinion gear. Disassemble to clean and lubricate the drive pin and the pinion gear.

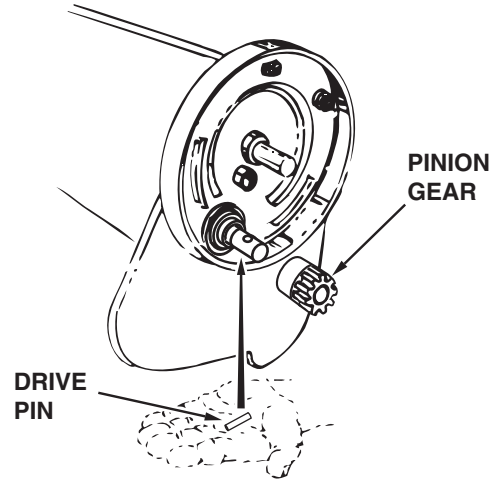


FIGURE 22

TROUBLESHOOTING

<p>Wheels skid when sweeping.</p>	<ol style="list-style-type: none"> 1. Brushes set too low. 2. Brushes are jammed 3. Wheels are jammed. 	<ol style="list-style-type: none"> 1. Adjust height until brushes are 1/2" down into grass. 2. Stop sweeper. Remove obstruction. 3. Remove one wheel at a time to check for obstruction or damage. Refer to Service and Adjustments section.
-----------------------------------	---	---

OUTILS REQUIS POUR L'ASSEMBLAGE

- (2) Clé à fourche ou clé polygonale 7/16 po
- (2) Clé à fourche ou clé polygonale 1/2 po
- (2) Clé à fourche ou clé polygonale 9/16 po

Remarque : Les qualificatifs « droit » et « gauche » sont déterminés à partir de la position de l'utilisateur assis sur le tracteur.

- Assemblez les tubes d'attelage droit et gauche sur le boîtier de la balayeuse avec quatre boulons à six pans 5/16" x 1-3/4" (18) et quatre écrous nylock 5/16" (27). Ne serrez pas tout de suite.
- Installez deux boulons à six pans 5/16" x 3"mm (16) et deux écrous nylock 5/16" (27) aux extrémités des tubes d'attelage. Ne serrez pas tout de suite.
- Mesurez la hauteur de la barre d'attelage du tracteur. Elle déterminera l'agencement des supports d'attelage de la balayeuse.
- Assemblez les supports d'attelage aux tubes d'attelage avec deux boulons à six pans 5/16" x 2-1/4" (17) et deux écrous nylock 5/16" (27). Si la barre d'attelage du tracteur est à 25,4cm minimum du sol, placez le support d'attelage courbé dessus. Si le dégagement est inférieur à 25,4cm, placez le support d'attelage droit sur le dessus. Ne serrez pas tout de suite.
- Serrez tous les boulons et écrous comme suit: Serrez les boulons et écrous assemblés à la Figure 1.
- Serrez les boulons et écrous assemblés à la Figure 2.
- Assemblez la goupille d'attelage (34) et la grande goupille bêta (31) aux supports d'attelage.
- Installez la prise sur la poignée d'ajustement de hauteur (33). Montez la poignée d'ajustement de hauteur (2) à l'intérieur du support à l'extrémité du tube d'ajustement de hauteur. Utilisez deux boulons ordinaires 5/16" x 1" (22) et deux écrous 5/16" (27). Serrez.
- Assemblez sur un boulon à six pans 5/16" x 1-1/4"mm (19) dans l'ordre indiqué, une rondelle plate 5/16" (21), un petit espaceur (29), la sangle d'ajustement de hauteur (15) et une autre rondelle plate 5/16" (21). Insérez le boulon dans le trou à l'extrémité du boîtier de la balayeuse et fixez-le par un écrou nylock 5/16" (27). Serrez. Remarque: Il est possible que le trou au bout de la balayeuse soit masqué par la roue.
- Insérez un boulon ordinaire 5/16" x 1" (22) dans la poignée d'ajustement de hauteur (2) et la sangle d'ajustement de hauteur (15). Assemblez une rondelle plate 5/16" (21) et le bouton en plastique (35) à l'extrémité du boulon.
- Ajustez les extrémités des deux tubes de trémie supérieurs dans les extrémités d'un tube de trémie arrière. Alignez les trous dans les extrémités des tubes et fixez-les en place à l'aide de deux axes à épaulement 1/4" x 1-1/8" (25) et deux petites goupilles bêta (32).
- Insérez les extrémités des deux tubes de trémie inférieurs dans les extrémités d'un tube de trémie arrière. Alignez les trous dans les extrémités des tubes et fixez-les en place à l'aide de deux axes à épaulement 1/4" x 1-1/8" (25) et deux petites goupilles bêta (32).
- Dépliez le sac de la trémie et disposez-le avec le brise-vent sur le dessus.
- Placez les tubes de trémie inférieurs assemblés en bas du sac de la trémie, puis glissez les tubes jusqu'à l'arrière du sac.
- Insérez les extrémités des tubes de trémie supérieurs assemblés dans les manchons aux côtés du sac.
- Glissez les tubes de trémie supérieurs sous le brise-vent en filet et fixez les extrémités des tubes de trémie supérieurs à l'extérieur des tubes de trémie inférieurs avec deux boulons à six pans 3/8" x 3/4" (23) et deux écrous nylock 3/8" (28), en insérant le boulon par l'intérieur du sac. Serrez, puis desserrez de 1/4 à 1/2 tour.
- Insérez les extrémités des tiges de soutien de la trémie (14) dans les trous des tubes de trémie arrière supérieurs et inférieurs en fléchissant les tiges juste assez pour les insérer dans les trous.
- **IMPORTANT:** Ne pliez pas trop les tiges. Une flexion trop prononcée entraînera leur perte de tension de soutien.
- Installez les bouchons (36) dans les extrémités des tubes de bras du sac (13).
- Insérez un boulon à six pans 3/8 x 3" (37) dans une rondelle plate (21) puis dans le tube de trémie supérieur. Installez un espaceur long 5/8" (30) et un tube de bras de sac (13) sur l'extrémité du boulon. Fixez avec un écrou nylock 3/8" (28). Serrez, puis desserrez de 1/2 tour. Assurez-vous que le tube de bras de sac est capable de tourner sur le boulon à six pans. Répétez de l'autre côté.
- Insérez la sangle du cadre du sac (8) à travers le manchon piqué au bord avant du fond du sac.
- Fixez la sangle du cadre du sac aux tubes de trémie inférieurs avec deux boulons à six pans 1/4" x 1-1/4" (20) et deux écrous nylock 1/4" (26).
- Pliez les rabats du sac autour des tubes de trémie inférieurs et fixez-les aux boutons-pression au fond du sac.
- Nouez la corde au centre du tube de trémie arrière supérieur.
- Fixez le sac assemblé au boîtier de la balayeuse, en glissant les extrémités des tubes de bras de sac dans les extrémités des tubes d'attelage de la balayeuse. Fixez les tubes avec deux axes à épaulement 1/4" x 1-3/4" (24) et deux petites goupilles bêta (32).
- Placez le tracteur et la balayeuse sur une surface au niveau.
- Placez la poignée de réglage de hauteur de balayeuse à la plage centrale de ses réglages.
- Ajustez la hauteur jusqu'à ce que les brosses soient abaissées de 1,27cm dans le gazon.

FIXATION DE L'ATTELAGE DE LA BALAYEUSE AU VÉHICULE TRACTEUR

1. Mettez le véhicule tracteur et la balayeuse sur une surface horizontale.
2. Réglez la hauteur de la balayeuse à sa position médiane à l'aide de la poignée de réglage.

FONCTIONNEMENT

RÉGLAGE DE HAUTEUR DES BALAIS

Pour régler les balais à la meilleure hauteur, agir sur la manette de réglage tout en tirant la goupille de réglage de hauteur. Le meilleur réglage correspond à un enfoncement des brosses de 12 mm (0,5 po) dans le gazon. Veillez à toujours tondre à une hauteur uniforme avant de passer la balayeuse.

VITESSE DE BALAYAGE

Essayez une vitesse de 3 miles/h (5 km/h) environ pour commencer (troisième vitesse de la plupart des tracteurs). En fonction des conditions, il peut s'avérer nécessaire de régler la vitesse de balayage afin d'obtenir les meilleurs résultats possibles. **Ne pas dépasser 6 m.p.h. (16 km/h).**

COMMENT VIDER LA BALAYEUSE

Votre balayeuse peut-être facilement vidée sans descendre du tracteur. Tirez simplement sur le cordage afin de vider la trémie. Videz toujours la trémie après chaque utilisation.



ATTENTION: N'attachez jamais le cordage de la trémie à votre corps ou à vos vêtements ! Ne tenez jamais le cordage en tractant la balayeuse ! Fixez le cordage au véhicule tracteur afin de l'éloigner des roues et des pièces en mouvement.



ATTENTION: Éloignez la balayeuse de toute source d'inflammation. Une chaleur excessive peut endommager les brosses ainsi que le sac de récupération des débris et peut provoquer l'incendie du sac et de son contenu.

ENTRETIEN

ENTRETIEN SYSTÉMATIQUE

1. Nettoyez la balayeuse après chaque utilisation. Vérifiez qu'il n'y a pas de débris dans les fentes de réglage de hauteur.
2. Vérifiez le bon état des pièces, en particulier les balais et les roues. Voir la figure 19.

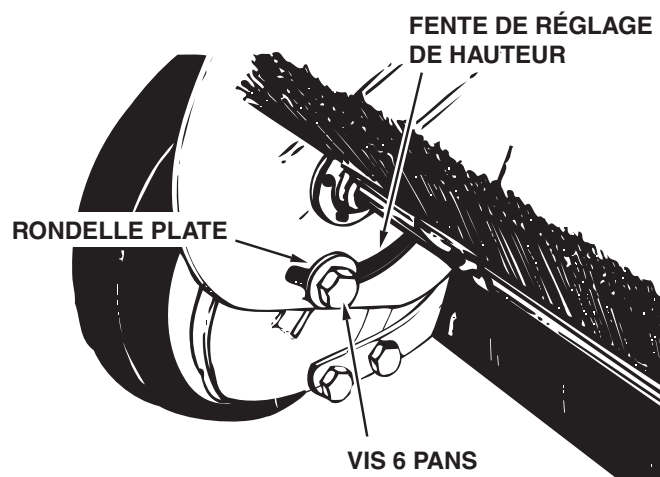


FIGURE 19

3. Tous les deux ans, retirer les roues et nettoyer les engrenages qui se trouvent à l'intérieur du carter des roues. Après avoir nettoyé les roues et les engrenages, les lubrifier en appliquant uniformément une légère couche de graisse. Pour retirer la roue, enlever l'enjoliveur en faisant levier avec un tournevis puis retirer l'écrou autofreiné, la rondelle plate et l'entretoise de l'extrémité de la vis à 6 pans, à l'intérieur de la balayeuse. Voir la figure 20.

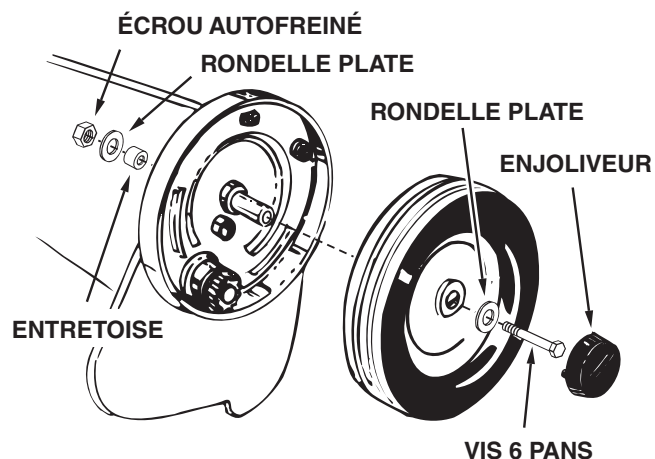


FIGURE 20

NETTOYAGE

1. Nettoyez la balayeuse avec une brosse souple ou un chiffon.
2. Éliminez les débris du sac de recueil à la brosse ou au balai.
3. Éliminez tout ce qui se serait enroulé autour des balais ou de l'axe du rouleau porte-balais.

ENTREPOSAGE



PRECAUCION: Avant d'entreposer la balayeuse, videz toujours le sac de récupération des débris afin d'éviter une combustion spontanée.

1. Nettoyez la balayeuse et la trémie parfaitement afin de prévenir la rouille et la moisissure.
2. Pour plier le sac de récupération des débris en vue de son entreposage, démontez les deux tiges de support situées à l'arrière de la trémie.
3. Entrez dans un endroit sec.

ENTRETIEN ET RÉGLAGES

REMPACEMENT DES BALAIS

REMARQUE : Le remplacement des balais doit s'effectuer un à la fois.

1. Démontez le sac de récupération des débris de la balayeuse.
2. Desserrez les boulons hexagonaux et les écrous de blocage sur les deux pattes de fixation qui maintiennent une seule brosse sur le système retenant les deux brosses. **NE DESSERREZ ni ne démontez les boulons qui maintiennent le système de retenue des deux brosses sur l'axe des brosses.**
3. Faites glisser la brosse en dehors des pattes de fixation en notant le côté de la brosse sur lequel se chevauchent les poils.
4. Installez une nouvelle brosse en vous assurant que les poils se chevauchent du même côté de la brosse qu'auparavant.

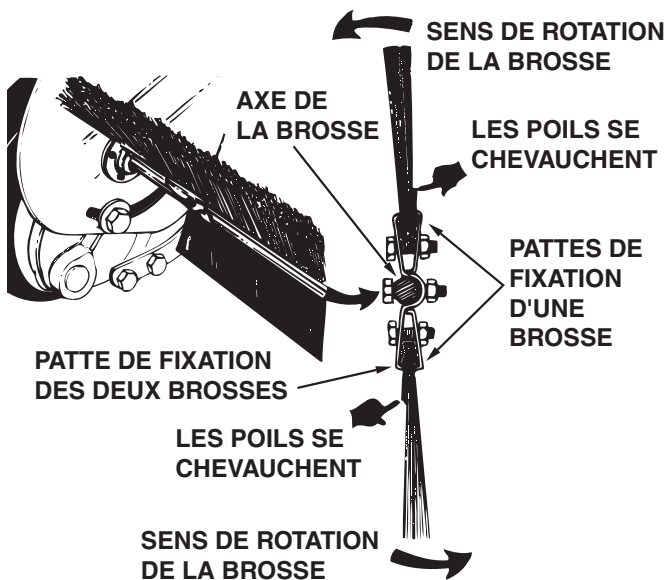
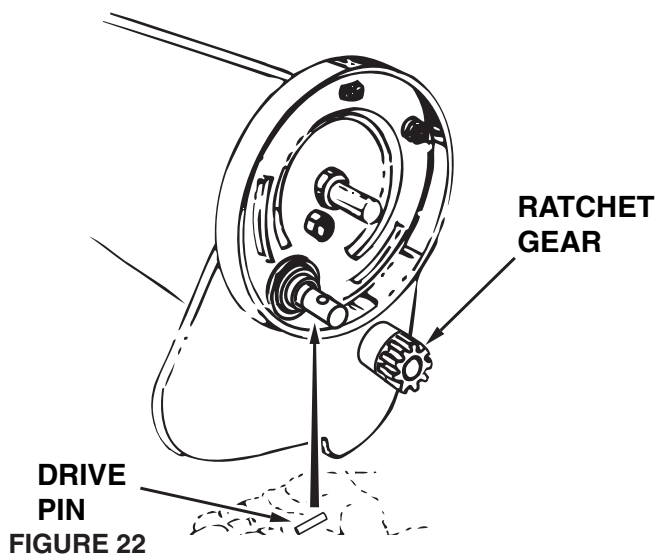


FIGURE 21

ENTRETIEN DES ENGRENAGES DES ROUES ET DU CRABOT

IMPORTANT: NE DÉMONTÉZ PAS les deux roues simultanément afin d'éviter d'intervenir des pièces. (Les engrenages droit et gauche des roues à cliquet ne sont pas interchangeables.) Prenez note de la position des rondelles et des anneaux à ressort pendant le démontage.

1. Démontez seulement une roue à la fois.
2. Déposez les anneaux de retenue et les rondelles qui maintiennent l'engrenage à cliquet sur l'axe des balais.
3. Déposez l'engrenage en le faisant glisser en dehors de l'axe de la brosse. (Prenez garde à la goupille d'entraînement qui peut tomber de l'axe de la brosse lors du retrait de l'engrenage à cliquet.)
4. Pour procéder au remontage, insérez la goupille d'entraînement à travers le trou à proximité de l'extrémité de l'axe de la brosse. Assurez-vous que la broche glisse facilement de part et d'autre sur l'axe.
5. Graissez légèrement l'axe ainsi que l'engrenage à cliquet. Remontez l'engrenage à cliquet sur l'axe.
6. Graissez légèrement l'axe et la denture de l'engrenage sur la roue avant de procéder à son remontage. Les brosses doivent seulement tourner pendant la rotation vers l'avant de la roue. Si les brosses sont entraînées (en rotation) aussi bien lors de la rotation en marche avant qu'en marche arrière de la roue, la goupille d'entraînement se trouve coincée dans l'engrenage à cliquet. Démontez l'ensemble pour nettoyer et graisser la goupille d'entraînement ainsi que l'engrenage à cliquet.
7. Démontez la deuxième roue et répétez la procédure.



GUIDE DE DÉPANNAGE

<p>Les roues patinent pendant le balayage.</p>	<ol style="list-style-type: none"> 1. Les brosses sont réglées trop bas. 2. Les brosses sont coincées 3. Les roues sont coincées. 	<ol style="list-style-type: none"> 1. Réglez la hauteur jusqu'à ce que les brosses se trouvent à 1,2 cm dans l'herbe. 2. Arrêt de la balayeuse. Éliminez l'obstruction. 3. Démontez une roue à la fois afin de vérifier la présence d'une obstruction ou d'une détérioration. Reportez-vous à la section Entretien et réglages.
--	--	--

HERRAMIENTAS NECESARIAS PARA EL EN-SAMBLAJE

- (2) Llave de boca abierta o cerrada de 7/16"
- (2) Llave de boca abierta o cerrada de 1/2"
- (2) Llave de boca abierta o cerrada de 9/16"

Nota: El lado derecho (L.D.) y el lado izquierdo (L.I.) se determinan por la posición del operador sentado en el tractor.

- Conecte los tubos de acople L.D. y L.I. a la carcasa de la barredora con cuatro pernos hexagonales de 5/16" x 1-3/4" (18) y tuercas mecánicas de seguridad de 5/16" (27). No ajuste todavía.
- Instale dos pernos hexagonales de 5/16" x 3" (16) y tuercas mecánicas de seguridad de 5/16" (27) en los extremos de los tubos de acople. No ajuste todavía.
- Mida la altura de la barra de arrastre del tractor: La altura determinará la disposición de los soportes de acople de la barredora.
- Conecte los soportes de acople a los tubos de acople con dos pernos hexagonales de 5/16" x 2-1/4" (17) y tuercas mecánicas de seguridad de 5/16" (27). Si la barra de arrastre del tractor está a 10" o más de distancia del suelo, coloque el soporte de acople curvo encima. Si está a menos de 10" de distancia, coloque el soporte de acople recto encima. No ajuste todavía.
- Ajuste todos los pernos y tuercas sueltos en el orden siguiente: Ajuste los pernos y tuercas ensamblados en la Figura 1.
- Ajuste los pernos y tuercas ensamblados en la Figura 2.
- Conecte el pasador de acople (34), y el pasador de horquilla grande (31) a los soportes de acople.
- Instale el mango de la manivela de ajuste de altura (33). Conecte la manivela de ajuste de altura (2) al interior del soporte en el extremo del tubo de ajuste de altura. Use los dos pernos con cabeza de hongo de 5/16" x 1" (22) y tuercas mecánicas de seguridad de 5/16" (27). Ajuste.
- Monte en un perno hexagonal de 5/16" x 1-1/4" (19), en el orden indicado, una arandela plana de 5/16" (21), un espaciador pequeño (29), la correa de ajuste de altura (15) y otra arandela plana de 5/16" (21). Inserte el perno a través del orificio en el extremo de la carcasa de la barredora y fíjelo con una tuerca mecánica de seguridad 5/16" (27). Ajuste. Nota: El orificio en el extremo de la barredora puede estar oculto detrás de la rueda.
- Inserte un perno con cabeza de hongo de 5/16" x 1" (22) a través de la manivela de ajuste de altura (2) y la correa de ajuste de altura (15). Monte una arandela plana de 5/16" (21) y la perilla plástica (35) en el extremo del perno.
- Coloque los extremos de los dos tubos superiores de la tolva en los extremos de un tubo posterior de la tolva. Alinee los orificios en los extremos de los tubos y fíjelos con dos pasadores de chaveta de 1/4" x 1-1/8" (25) y pasadores de horquilla pequeños (32).
- Coloque los extremos de los dos tubos inferiores de la tolva en los extremos de un tubo posterior de la tolva. Alinee los orificios en los extremos de los tubos y fíjelos con dos pasadores de chaveta de 1/4" x 1-1/8" (25) y pasadores de horquilla pequeños (32).
- Despliegue la bolsa de tolva y extiéndala con la pantalla cortaviento encima.
- Coloque los tubos inferiores ensamblados de la tolva en la parte inferior de la bolsa de la tolva y, a continuación, deslícelos hacia la parte posterior de la bolsa.
- Inserte los extremos de los tubos de tolva superiores ensamblados por las mangas en los lados de la bolsa de tolva.
- Deslice los tubos de tolva superiores por debajo de la pantalla cortaviento de malla y fije sus extremos al exterior de los tubos de tolva inferiores utilizando dos pernos hexagonales de 3/8" x 3/4" (23) y tuercas mecánicas de seguridad de 3/8" (28), insertando el perno desde el interior de la bolsa. Ajuste y luego afloje entre 1/4 y 1/2 de giro.
- Inserte los extremos de las varas de soporte de tolva (14) en los orificios de los tubos de tolva posteriores inferiores y superiores doblando las varas lo suficiente para que encajen en los orificios.
- **IMPORTANTE:** No doble las varas en exceso. Doblarlas en exceso hará que las varas de acero pierdan la tensión de soporte.
- Instale los tapones (36) en los extremos de los tubos de brazo de bolsa (13).
- Inserte un perno hexagonal de 3/8 x 3" (37) a través de una arandela plana (21) y luego a través del tubo superior de la tolva. Instale un espaciador largo de 5/8" (30) y un tubo de brazo de bolsa (13) en el extremo del perno. Asegure con una tuerca mecánica de seguridad de 3/8" (28). Ajuste y luego afloje 1/2 de giro. Asegúrese de que el tubo de brazo de bolsa pueda girar sobre el perno hexagonal. Repita en el otro lado.
- Inserte la correa del marco de bolsa (8) a través de la manga cosida en el borde delantero del fondo de la bolsa.
- Fije la correa del marco de bolsa a los tubos de tolva inferiores con dos pernos hexagonales de 1/4" x 1-1/4" (20) y tuercas mecánicas de seguridad de 1/4" (26).
- Pliegue las aletas de la bolsa sobre los tubos de tolva inferiores y fíjelas a los botones de presión en el fondo de la bolsa.
- Ate la cuerda al centro del tubo de tolva posterior superior.
- Deslice los extremos de los tubos de brazo de bolsa por los extremos de los tubos de acople de la barredora para fijar el conjunto de la bolsa a la carcasa de la barredora. Fije los tubos con dos pasadores de chaveta de 1/4" x 1-3/4" (24) y pasadores de horquilla pequeños (32).
- Sitúe el tractor y la barredora sobre una superficie plana y nivelada.
- Ponga la manivela de ajuste de altura de la barredora aproximadamente en la mitad de su rango de ajuste.
- Ajuste la altura de forma que los cepillos queden a una altura de 1/2" (1.2cm) por debajo del césped.

PARA ACOPLAR EL ENGANCHE DE LA BARREDORA AL TRACTOR

1. Coloque el tractor y la barredora sobre una superficie plana y nivelada.
2. Coloque la palanca de ajuste de altura de la barredora a la mitad de su rango de ajuste.

OPERACION

AJUSTE DE LA ALTURA DEL CEPILLO

Para ajustar los cepillos de la barredora a la altura ideal, jale hacia atrás el pasador de ajuste de altura y utilice la palanca de ajuste de altura para elevar o bajar el cepillo. El mejor ajuste es cuando el cepillo está 1/2 pulg. dentro del césped. Siempre corte el césped a una altura pareja antes de barrer.

VELOCIDAD DE BARRIDO

Ensaye una velocidad inicial de aproximadamente 3 millas por hora (5km/hora) (tercera velocidad en la mayoría de los tractores). Dependiendo de las condiciones, puede ser necesario ajustar la velocidad de barrido, a fin de obtener los mejores resultados. **No exceda las 6 mph (16 km/h).**

VACIADO DE LA BARREDORA

Su barredora se puede vaciar fácilmente sin necesidad de desenganchar el tractor o de que el operador se desmonte. Simplemente tire de la cuerda hacia adelante para vaciar la tolva. Siempre vacíe la tolva después de cada uso.



PRECAUCION: ¡Nunca amarre la cuerda de la tolva a ninguna parte de su cuerpo ni de su ropa! ¡Nunca se cuelgue de la cuerda mientras remolca la barredora! Amarre la cuerda al vehículo de remolque, manteniéndola alejada de las ruedas y de las partes giratorias.



PRECAUCION: Mantenga la barredora lejos del fuego. El calor excesivo puede dañar los cepillos y la bolsa de la tolva, y puede hacer que la bolsa y su contenido se incendien.

MANTENIMIENTO

MANTENIMIENTO PROGRAMADO

1. Limpie la barredora después de cada uso. Revise la ranura de ajuste de altura para ver si hay residuos acumulados.
2. Haga una revisión para verificar que no haya partes dañadas, como los cepillos y las ruedas. Vea la figura 19.

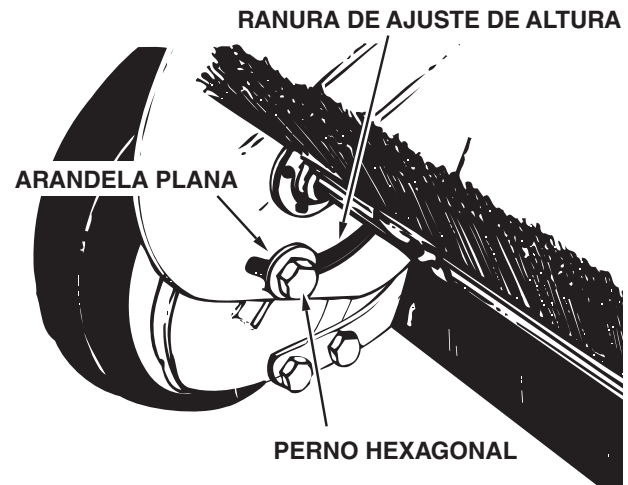


FIGURA 19

3. Cada dos años, desinstale las ruedas y limpie los engranajes que se encuentran dentro de la carcasa de la rueda. Después de limpiarlos, lubrique con una capa delgada y pareja de grasa liviana. Para desinstalar la rueda, quite la tapa de cubo haciendo palanca con un destornillador y retire la tuerca de cierre, la arandela plana y el espaciador del extremo del perno ubicados dentro de la barredora. Vea la figura 20.

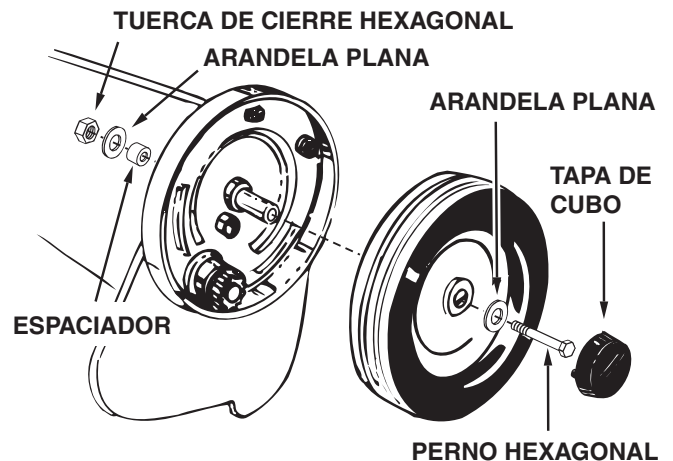


FIGURA 20

LIMPIEZA

1. Limpie la carcasa de la barredora con un cepillo suave o con un paño.
2. Limpie los restos de la bolsa de la tolva con un cepillo o escoba.
3. Remueva el material atrapado entre los cepillos o extremos del eje del cepillo.

ALMACENAMIENTO



PRECAUCIÓN: Antes de almacenar la barredora, desocupe siempre la bolsa de la tolva para evitar que ocurra una combustión espontánea.

1. Limpie completamente la barredora y la bolsa de la tolva para ayudar a prevenir la oxidación y el moho.
2. Para doblar la bolsa de la tolva cuando se va a guardar, retire las dos barras de soporte de la tolva de la parte trasera de la misma.
3. Almacene la barredora en un área seca.

SERVICIO Y AJUSTES

CAMBIO DE CEPILLOS

NOTA: El cambio de cepillos deberá hacerse uno por uno.

1. Retire la bolsa de la tolva de la barredora.
2. (Figura 21) Afloje los pernos hexagonales y las tuercas de cierre en los dos retenedores del cepillo sencillo, que sujetan un cepillo a los retenedores del cepillo doble. No afloje ni retire los pernos que fijan los retenedores del cepillo doble al eje del cepillo.
3. (Figura 21) Saque deslizando el cepillo de los retenedores, fijándose bien en qué lado del cepillo se superponen las cerdas.
4. (Figura 21) Instale el cepillo nuevo, asegurándose de que las cerdas se superpongan en el mismo lado del cepillo, como estaban antes.

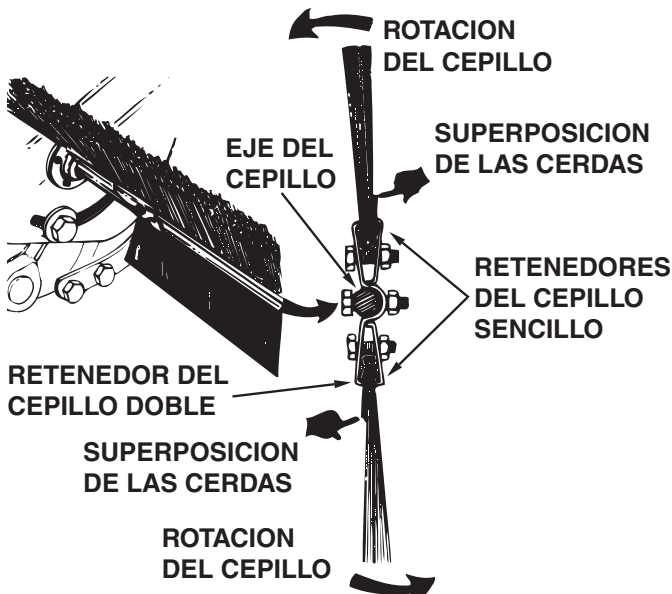


FIGURA 21

SERVICIO DEL ENGRANAJE DE LA RUEDA DENTADA Y DEL TRINQUETE

IMPORTANTE: No retire las dos ruedas al mismo tiempo, para evitar que sus partes se confundan. (Los engranajes del trinquete de mano derecha y de mano izquierda no son intercambiables). Anote la posición de las arandelas y de los anillos a presión cuando desarme el mecanismo.

1. Baje únicamente una rueda a la vez de la barredora.
2. Retire los anillos retenedores y las arandelas que sostienen el engranaje del trinquete sobre el eje del cepillo.
3. (Figura 22) Retire el engranaje deslizándolo fuera del eje del cepillo. (Tenga cuidado con el pasador impulsor, que puede caerse del eje del cepillo al remover el engranaje del trinquete).
4. Para volver a armar, inserte el pasador impulsor a través del hueco cerca del extremo del eje del cepillo. Asegúrese de que el pasador pueda deslizarse fácilmente hacia delante y hacia atrás sobre el eje.
5. Engrase ligeramente el eje y llene el engranaje del trinquete con grasa. Arme nuevamente el engranaje del trinquete sobre el eje.
6. Engrase ligeramente el eje y los dientes del engranaje en la rueda y luego monte la rueda de nuevo. Los cepillos deben girar únicamente durante la rotación hacia delante de la rueda. Si los cepillos giran tanto hacia adelante como hacia atrás con la rotación de la rueda en ambos sentidos, el pasador impulsor está atascado en el engranaje del trinquete. Desarme para limpiar y lubricar el pasador impulsor y el engranaje del trinquete.
7. Retire la segunda rueda y siga el mismo procedimiento.

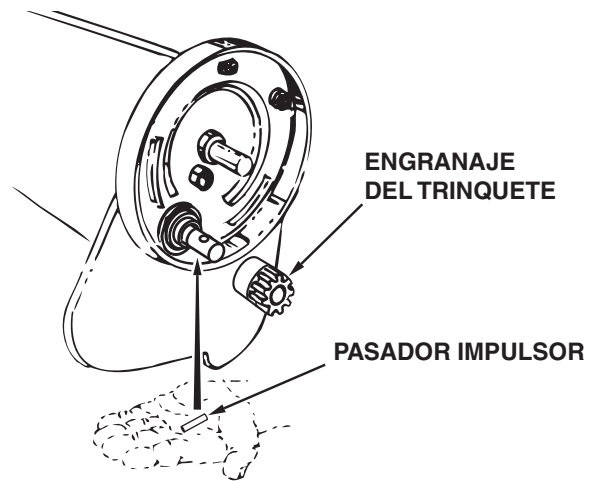
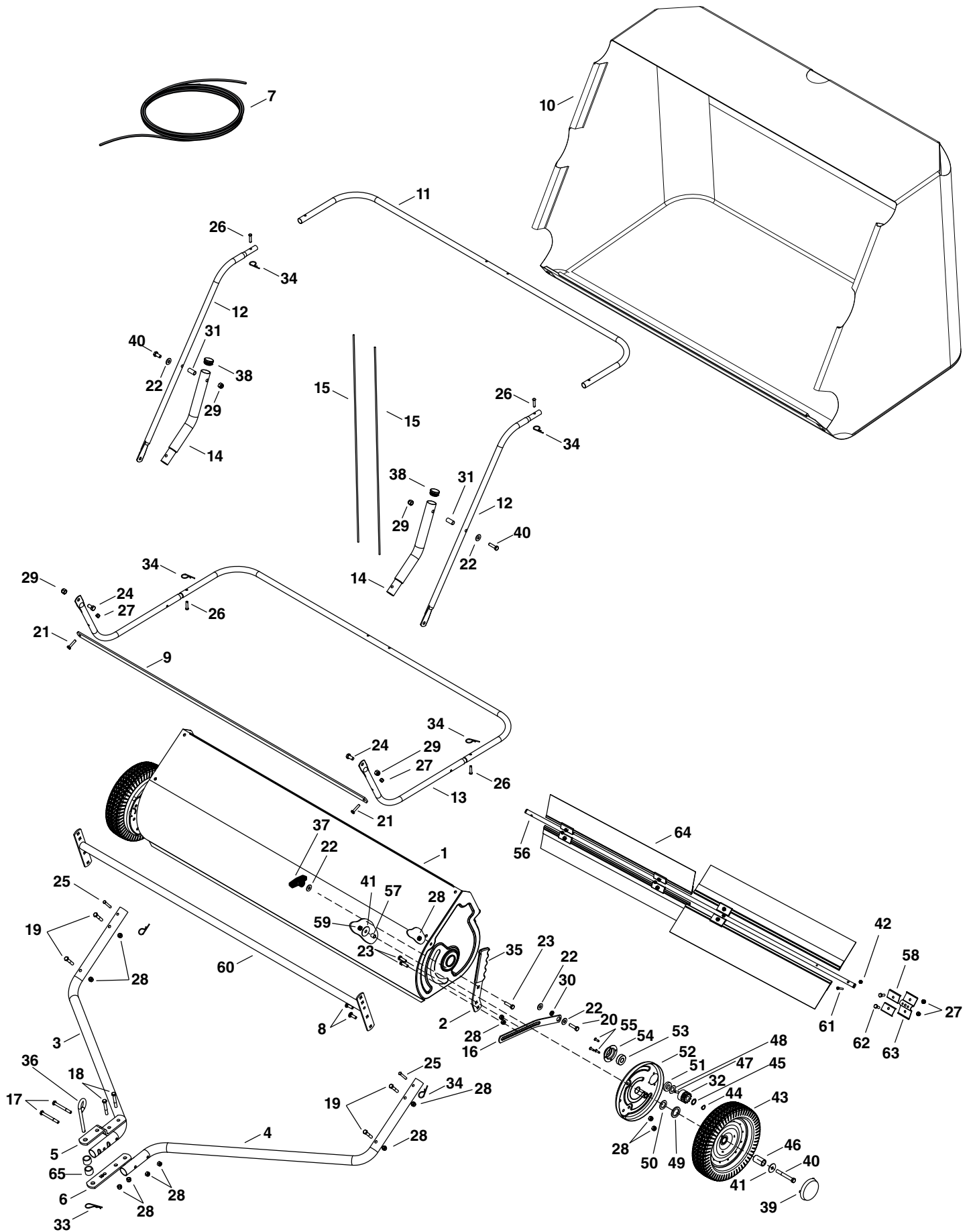


FIGURA 22

RESOLUCION DE PROBLEMAS

<p>Las ruedas patinan al barrer.</p>	<ol style="list-style-type: none"> 1. Los cepillos están graduados demasiado abajo 2. Los cepillos están atascados 3. Las ruedas están atascadas 	<ol style="list-style-type: none"> 1. Ajuste la altura hasta que los cepillos queden 1,2 cm dentro del césped 2. Detenga la barredora. Retire la obstrucción 3. Baje una rueda a la vez para buscar la obstrucción o daño. Consulte la Sección de Servicio y Ajustes.
--------------------------------------	---	--

REPAIR PARTS FOR MODEL 45-05464 - 52" LAWSWEEPER



REPAIR PARTS FOR MODEL 45-05464 - 52" LAWNSEWER

REF	PART NO.	QTY	DESCRIPTION	REF	PART NO.	QTY	DESCRIPTION
1	69420BL3	1	Housing Assembly	35	43943	1	Height Adjustment Grip
2	26243BL1	1	Height Adjustment Handle	36	23353	1	Pin, Hitch
3	28184BL3	1	Hitch Tube, R.H.	37	43720	1	Knob, Wing 5/16-18"
4	28183BL3	1	Hitch Tube, L.H.	38	47674	2	Plug
5	23687BL1	1	Bracket, Hitch	39	2674-32	2	Hub Cap
6	24192BL1	1	Bracket, Hitch (Straight)	40	43574	4	Bolt, Hex 3/8-16 x 3" Lg.
7	43737	1	Hopper Rope	41	141	4	Washer, Flat 1-1/2" x .375" x .062"
8	43080	4	Bolt, Carr 5/16-18 x 3/4"	42	47171	4	Nut, Nylock 10-32
9	28193BL3	1	Strap, Bag Frame	43	6-1060	2	Ass'y, Wheel & Tire
10	45856	1	Hopper Bag	44	1650-21	2	Ring, Retaining .594" ID
11	45406BL3	2	Hopper Frame (Rear)	45	44006	2	Washer, Flat .849" x .598" x .025"
12	49765BL1	2	Upper Hopper Frame (Front)	46	40109	2	Bushing, Bronze
13	48726	2	Lower Hopper Frame (Front)	47	47046	2	Dowel Pin (Drive)
14	28196BL1	2	Tube, Bag Arm	48	40001	2	Washer, Shim 1.125" x .595" x .020"
15	43938	2	Rod, Hopper Support	49	HA4143	2	Washer, 1.04" x 1.5" x .145"
16	28610	1	Height Adjustment Strap	50	1540-31	2	Washer, Flat .78" x 1.25" x .062"
17	46782	2	Bolt, Hex 5/16-18 x 3" Lg.	51	23520	2	Spacer, .660" x .250" x .250" L
18	43224	2	Bolt, Hex 5/16-18 x 2-1/4" Lg.	52	68691BL3	2	Ass'y, Dust Cover
19	43084	4	Bolt, Hex 5/16-18 x 1-3/4" Lg.	53	44232	2	Ball Bearing
20	43840	1	Bolt, Hex 5/16-18 x 1-1/4" Lg.	54	1629-56	2	Retainer, Dust Cover
21	1509-90	2	Bolt, Hex 1/4-20 x 1-1/4"	55	C-9M5732	6	Rivet, Pop
22	43081	5	Washer, .375" x .875" x .083"	56	2-681	1	Brush Shaft
23	44326	3	Bolt, Carriage 5/16-18 x 1"	57	48866	2	Spacer, .38 "x .50" x .53"
24	43407	2	Bolt, Hex 3/8-16 x 3/4"	58	23581	8	Retainer, Brush (Single)
25	46867	2	Pin, Clevis 1/4" x 1-3/4" Lg.	59	42210	2	Nut, Nylock Jam 3/8-16
26	48365	4	Clevis Pin, 1/4" x 1-1/8"	60	69421BL3	1	Ass'y, Ht Adjust
27	47189	10	Nut, Nylock 1/4-20 Thread	61	49954	4	Screw, Set 10-32 x 1" Lg.
28	47810	15	Nut, Nylock 5/16-18 Thread	62	43012	8	Bolt, Hex 1/4-20 x 3/4" Lg.
29	HA21362	4	Nut, Hex 3/8-16"	63	23580	4	Retainer, Brush (Double)
30	23400	1	Spacer, .410" x .620" x .15"	64	2-682	4	Brush, 52"
31	23658	2	Spacer, .46" x .56" x .62" (5/8")	65	48130	2	Spacer, .795 x 1 x .65"
32	2692-7	1	Gear, Pinion L.H.	66	2692-6	1	Gear, Pinion R.H. (not shown)
33	43343	1	Hairpin Cotter, 1/8"		3-328	1	Owners Manual
34	43055	6	Hairpin Cotter, 3/32"				

SpeedEPart *the fastest way to purchase parts* www.speedepart.com

SpeedEPart *the fastest way to purchase parts* www.speedepart.com

REPAIR PARTS

Agri-Fab, Inc.
809 South Hamilton
Sullivan, IL. 61951
217-728-8388
www.agri-fab.com