



**OPERATOR'S MANUAL**  
**Universal Grass Groomer**  
**TK95043**

1/31/2018

Please read and save these instructions.  
For your safety, please read all safety and  
operating instructions prior to using equipment.

# Introduction

## Table of Contents

Introduction .....	2
Product Compatibility .....	2
Safety .....	3
Kit Includes .....	3
Assembly .....	4
Operation .....	5
Warranty .....	6

## Using Your Operator's Manual

Read this entire Operator's Manual, especially the safety information, before operating.

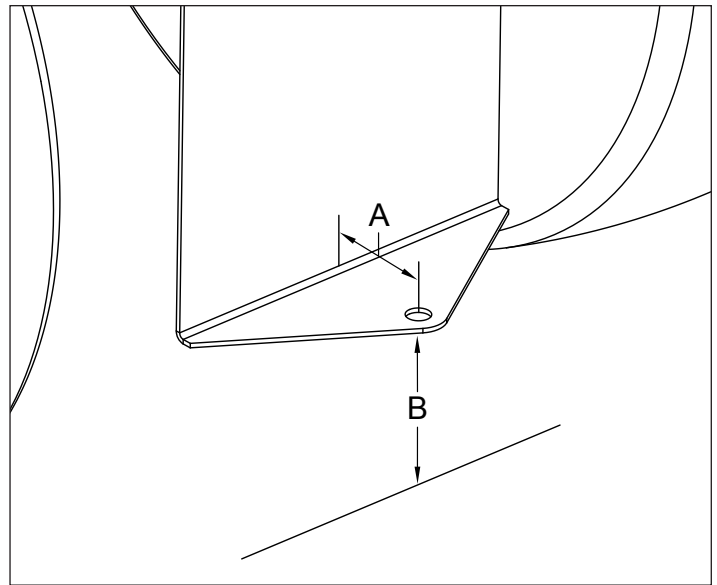
This manual is an important part of your Universal Grass Groomer. Keep this manual in a convenient location so that it can be accessed easily.

Use the safety and operating information in the attachment operator's manual, along with the machine operator's manual, to operate and service the attachment safely and correctly.

If you have any questions or concerns with the assembly, installation, or operation of this attachment, contact TerraKing at 717-286-1444 or sales@terra-king.com.

Warranty information regarding this attachment can be found in the Warranty section of this manual.

## Product Compatibility



The Universal Grass Groomer is compatible with lawn and garden tractors that have the following rear hitch dimensions:

- Distance 'A', from the rear face to the center of the hitch hole, must be between 2" and 3-1/2"
- Distance 'B', height of the hitch off the ground, must be between 6" and 11"

**Original Instructions.** All information, illustrations and specifications in this manual are based on the latest information available at the time of publication.

The right is reserved to make changes at any time without notice.

# Safety

## Be Prepared

- Read the general safety operating precautions in your tractor's operator's manual for additional safety information.
- Be thoroughly familiar with the controls and the proper use of the equipment.
- Make any necessary adjustments before you operate. Never attempt to make any adjustments while the engine is running.

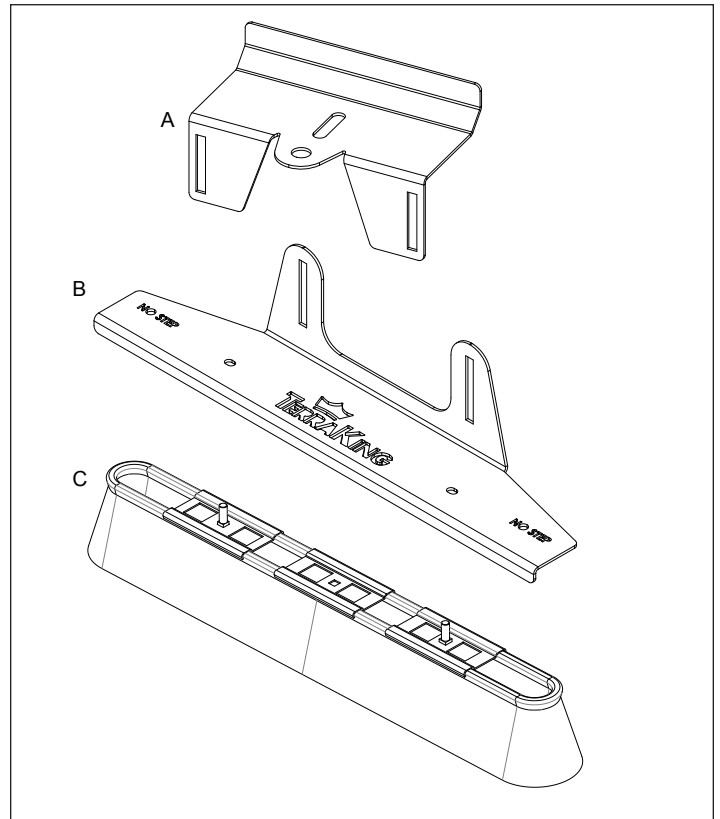
## Towing Loads Safety

- Stopping distance increases with speed and weight of towed load. Travel slowly and allow extra time and distance to stop.
- Total towed weight must not exceed limits specified in towing vehicle operator's manual.
- Excessive towed load can cause loss of traction and loss of control on slopes. Reduce towed weight when operating on slopes.
- Never allow children or others in or on towed equipment.
- Use only approved hitches. Tow only with a machine that has a hitch designed for towing. Do not attach towed equipment except at the approved hitch point.
- Follow the manufacturer's recommendations for weight limits for towed equipment and towing on slopes. Use counterweights or wheel weights as described in the machine operator's manual.
- Do not turn sharply. Use additional caution when turning or operating under adverse surface conditions. Use care when reversing.

## Keep Riders Off Universal Grass Groomer

- Riders on a towed attachment are subject to injury, such as being struck by objects and being thrown off the attachment during sudden starts, stops and turns.
- Riders obstruct the operator's view, resulting in the attachment being used in an unsafe manner.
- Keep riders off the Grass Groomer.
- Do not use the Grass Groomer as a step.

## Kit Includes



## Main Components

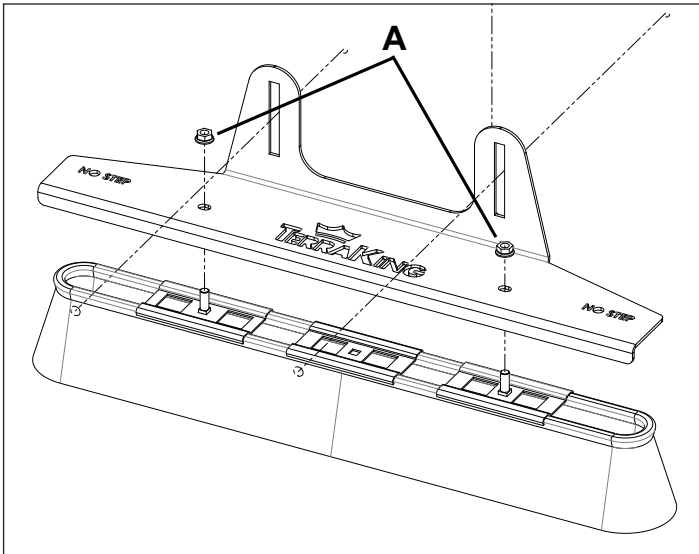
Description	Qty.
Mower Mount (A)	1
Brush Mount (B)	1
Brush (C)	1

## Hardware Bag (not pictured)

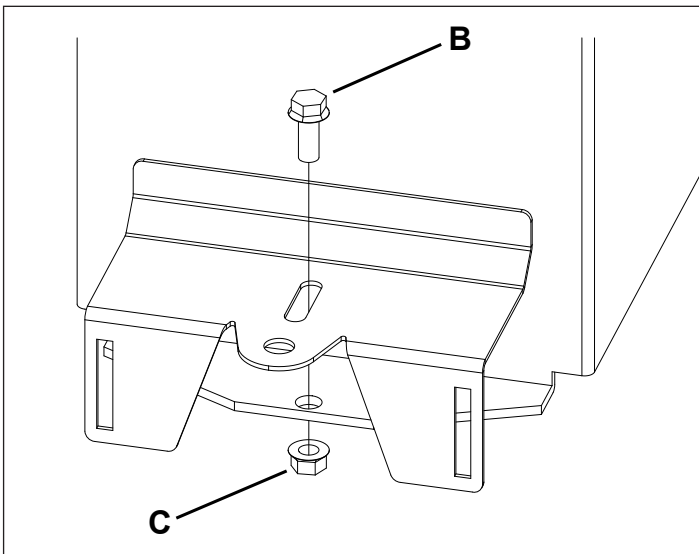
Description	Qty.
5/16" Flange Nut	2
1/2" x 1-1/4" Flange Bolt	1
1/2" Flange Nut	1
3/8" x 2" Carriage Bolt	2
3/8" Washer	2
3/8" Star Washer	2
3/8" Lock Knob	2
3/8" Lock Nut	2

# Assembly

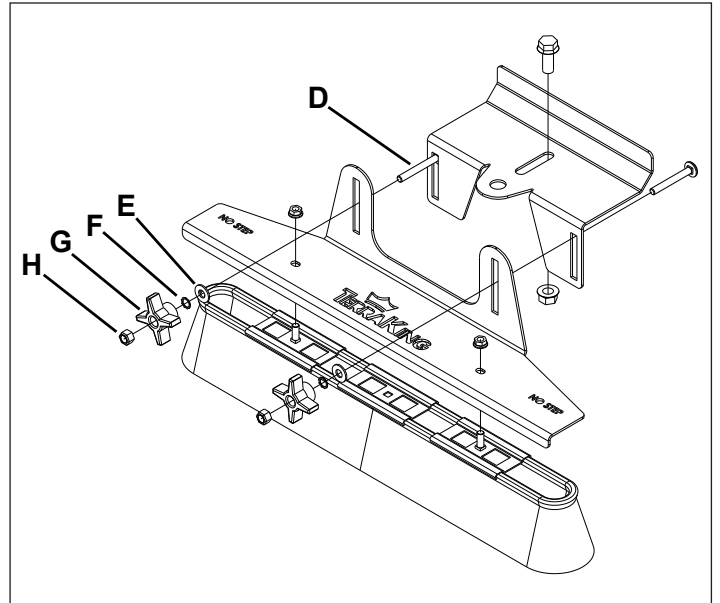
1. Attach the brush to the brush mount as shown using two 5/16" flange nuts. Torque to 8 ft-lb.



2. With the vertical part of the mower mount against the vertical face at the rear of the tractor, use a 1/2" x 1-1/4" flange bolt (B) and 1/2" flange nut (C) to fasten to the hole of the rear hitch as shown. Torque to 37 ft-lb.



3. Connect brush mount assembly to mower mount using two 3/8" x 2" carriage bolts (D), 3/8" washers (E), star washers (F) and lock knobs (G). Install 3/8" lock nuts (H) on the ends of the threads to prevent knobs from vibrating off.



# Operation

## Adjustment

1. With the tractor parked on flat ground, loosen knobs to allow the brush to fall to the ground, then re-tighten the knobs and the lock nuts.

NOTE: Forcing the brush down before tightening has minimal effect on the striping pattern, and can result in faster wear of the brush and/or damage to mounting brackets.

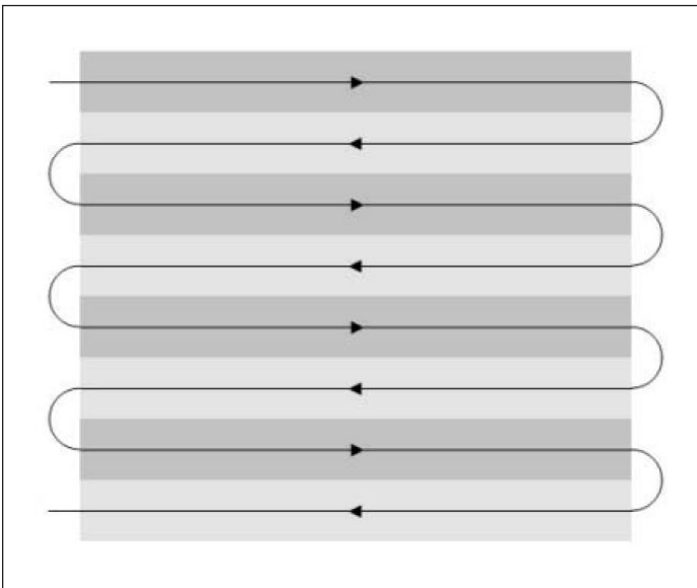
2. When finished mowing, loosen knobs, raise brush to highest position, and re-tighten knobs with lock nuts.

## Pattern Mowing

- Mowing height should be at least 2-1/2" to 3-1/2", and mowing direction should be alternated 90° (perpendicular) at each mowing, from the previous time.
- Mowing passes should slightly overlap for the best results.
- Removing grass clippings with a material collection system can also enhance the visual effect of a striping pattern.

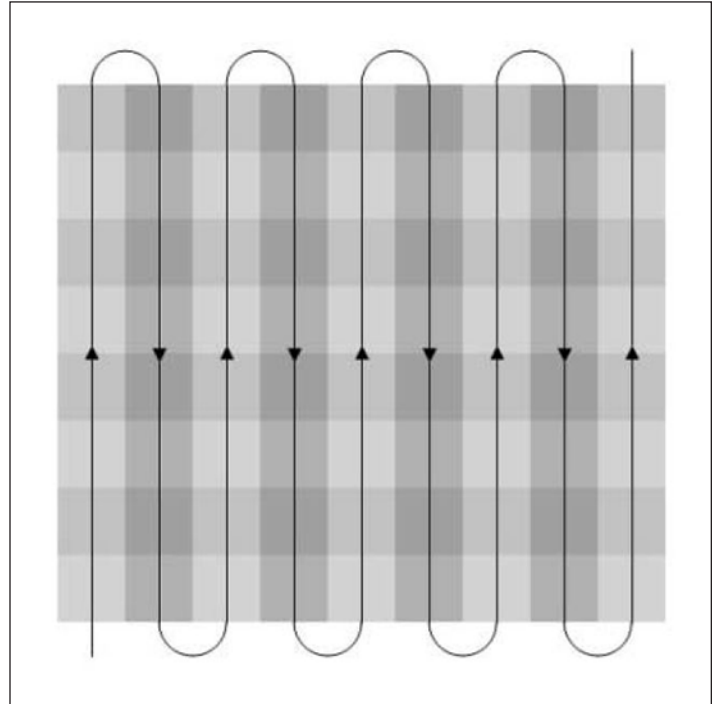
## Create a Striped Pattern

- Create a striped pattern by mowing in straight-line passes, alternating the direction of travel with each pass.



## Create a Checkered Pattern

- Create a striped pattern, then complete the checkered pattern by creating another striped pattern perpendicular to the first one. The intersection of the two striped patterns creates a checkerboard effect.



# Warranty

---

## Limited Warranty

TerraKing's products are guaranteed to be free from defects in material and/or workmanship and to perform as advertised when properly assembled, installed, used, and maintained in accordance with written instructions. Failure to adhere to this will void the warranty. TerraKing will not be responsible for labor, loss, or consequential damage of any kind or character caused by defective parts, or for charges incurred in the replacement or repair of defective parts.

## Warranty Period

The TerraKing Universal Grass Groomer is warranted for a period of 1 (one) year after the purchase date for residential use, and 6 (six) months after the purchase date for commercial use. This product is warranted by TerraKing to the original purchaser/customer against defects in material and workmanship under normal operating conditions.

For service parts and customer support, contact TerraKing at 717-286-1444 or [sales@terraking.com](mailto:sales@terraking.com).

TerraKing by Superior Tech, Inc.  
Form # TKOM-001A-1/18



This page intentionally blank

This page intentionally blank