

# OWNERS MANUAL

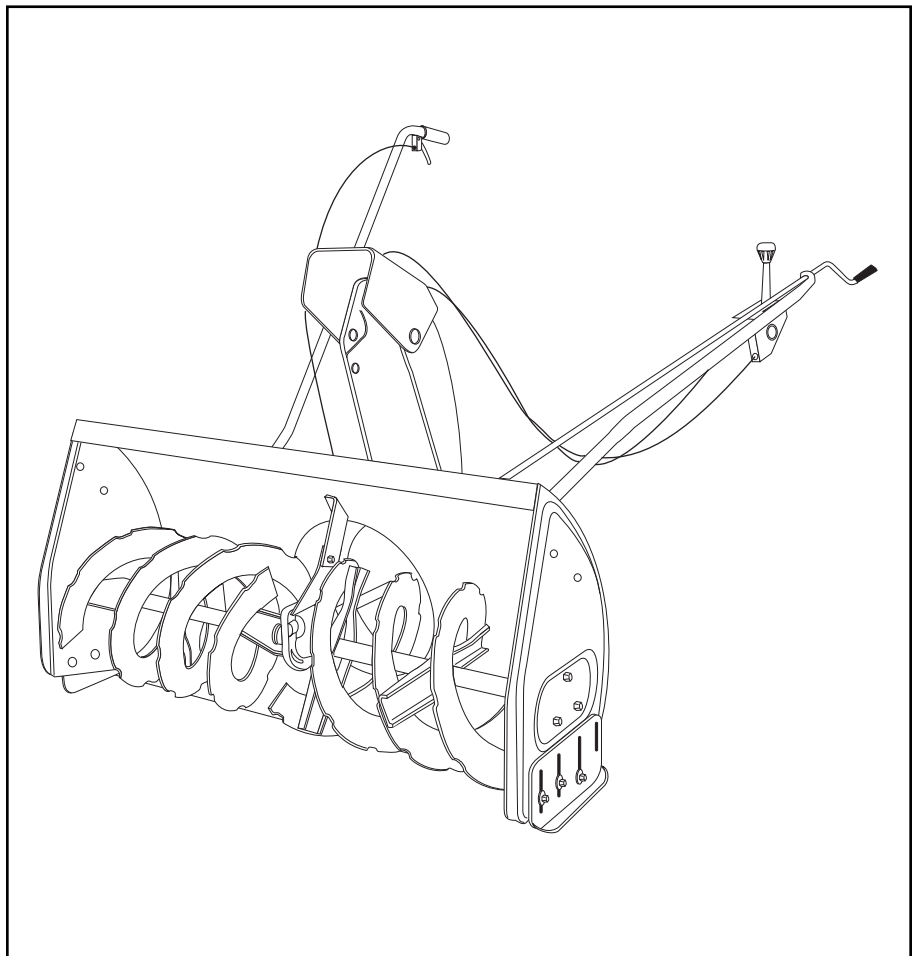
Model No.  
**LST42G**

Want more information or assembly tips?



**Video  
Instruction  
Guide**

[youtube.com/c/agrifab](https://youtube.com/c/agrifab)



## 42" SNOW THROWER

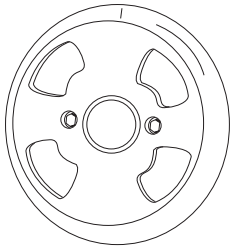
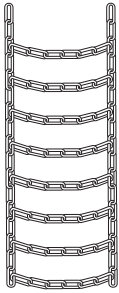
- Safety
- Assembly
- Operation
- Maintenance
- Parts

**CAUTION:**  
Read Rules for Safe  
Operation and Instructions  
Carefully

**SpeedPart** *the fastest way to purchase parts* [www.speedepart.com](http://www.speedepart.com)

# TABLE OF CONTENTS

SAFETY RULES.....	3
FULL SIZE HARDWARE CHART.....	4
CARTON CONTENTS.....	6
ASSEMBLY.....	7
OPERATION.....	25
MAINTENANCE.....	26
SERVICE AND ADJUSTMENTS.....	27
STORAGE.....	28
TROUBLESHOOTING.....	29
REPAIR PARTS ILLUSTRATION.....	30,32,34
REPAIR PARTS LIST.....	31,33,34
SLOPE GUIDE.....	35
PARTS ORDERING/SERVICE.....	BACK COVER

<p style="text-align: center;"><b>IMPORTANT:</b></p> <p>Rear wheel weights and tire chains are required to provide extra traction and stability when using this snow thrower attachment. These items are available where you purchased your tractor.</p>	<p style="text-align: center;"><b>WHEEL WEIGHTS</b></p> 	<p style="text-align: center;"><b>TIRE CHAINS</b></p> 
--	--	---



## SAFETY



184045

Read and understand the operating instructions before using.

Keep the area of operation clear of all persons, especially small children and pets. Thoroughly inspect the area to be cleared and remove all door mats, sleds, boards, wires and other foreign objects. Use extreme caution when operating on or crossing gravel surfaces. Never direct discharge at bystanders or allow anyone in front of the snow thrower.



199682

Do not place hands near rotating parts. Keep clear of the discharge opening at all times.



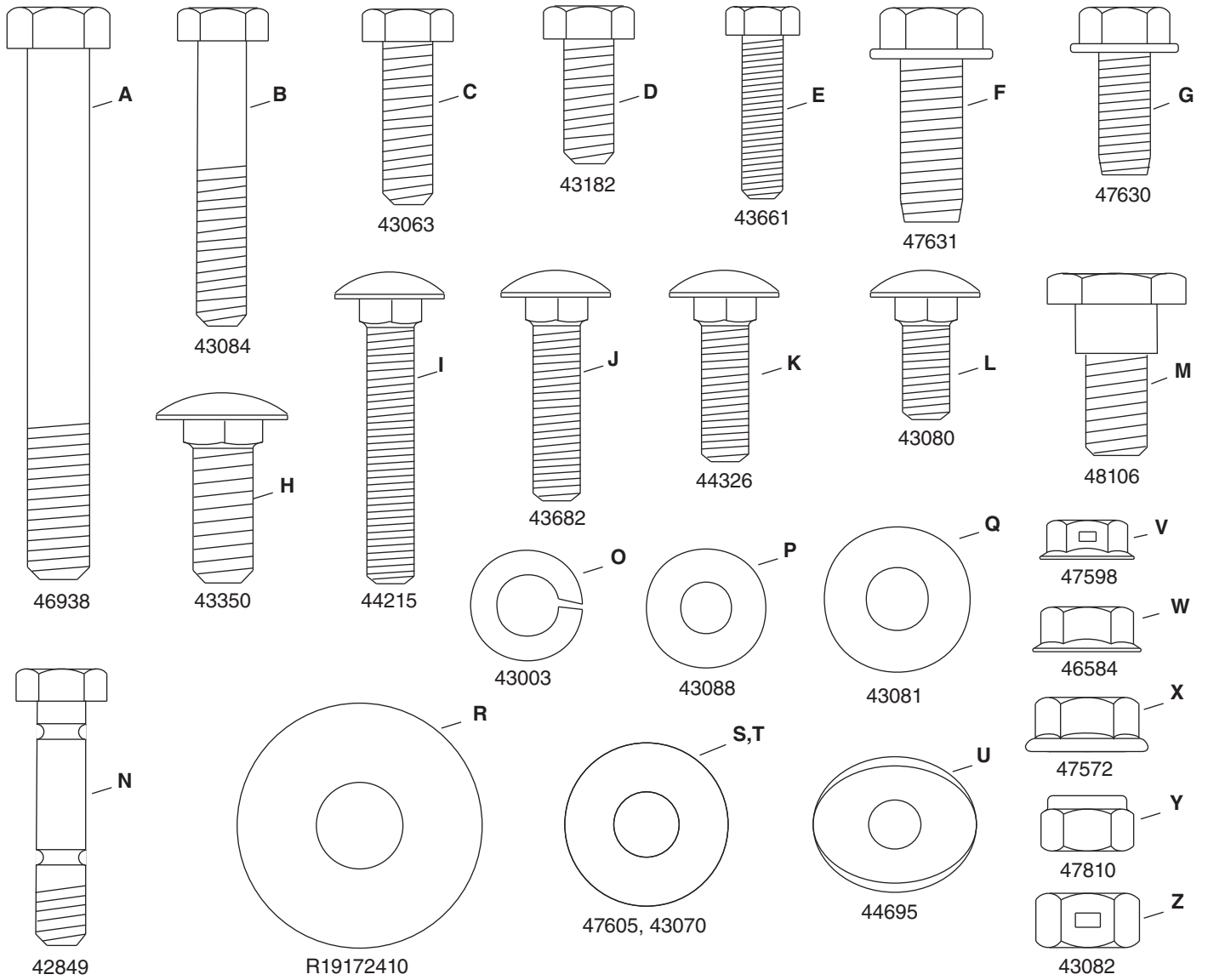
199683

Do not place feet near rotating parts.

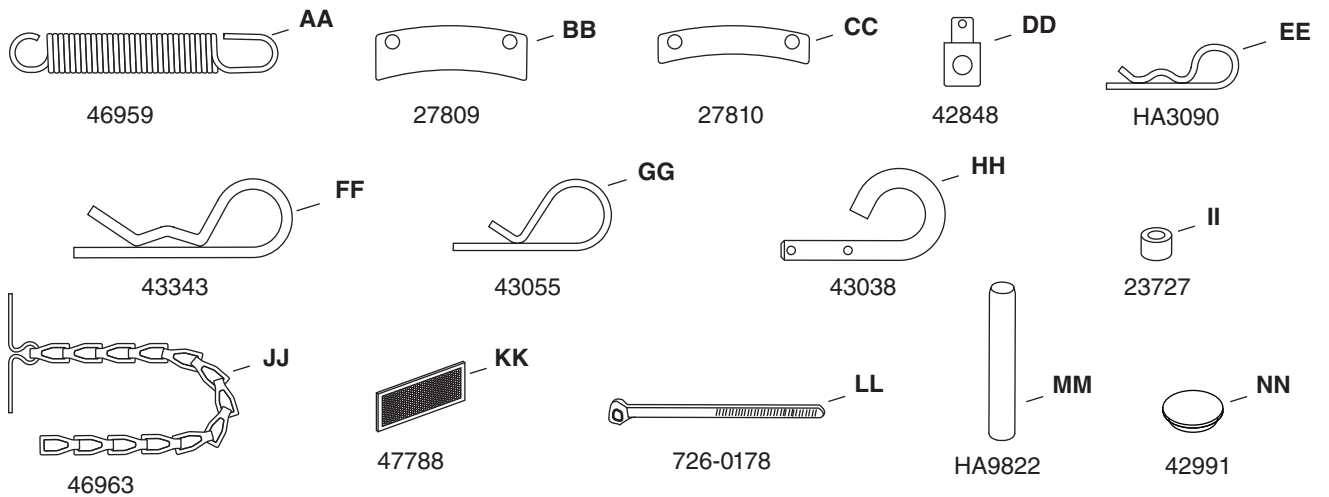
- Never allow children to operate the equipment.
- Never allow adults to operate the equipment without proper instruction.
- Disengage all clutches and shift into neutral before starting engine.
- Do not operate equipment without wearing adequate winter outer garments.
- Wear substantial footwear which will protect feet and improve footing on slippery surfaces.
- Check fuel before starting the engine. Do not remove the fuel cap or fill the fuel tank while the engine is running or hot. Do not fill the fuel tank indoors. Gasoline is an extremely flammable fuel.
- Make sure the snow thrower height is adjusted to clear the type surface it will be used on.
- Do not use the snow thrower without wheel weights attached to the tractor.
- Never make any adjustments while the engine is running.
- Always wear safety glasses or eye shield during operation or while performing adjustment or repair.
- Do not place hands or feet near rotating parts. Keep clear of the discharge opening at all times.
- Do not carry passengers.
- After striking a foreign object, stop the engine, remove the wire from the spark plug and then thoroughly inspect the snow thrower for damage. Repair any damage before restarting and operating the snow thrower.
- If the snow thrower starts to vibrate abnormally, stop the engine immediately and check for the cause. Vibration is generally a warning of trouble.
- Stop the engine whenever you leave the operating position, before unclogging the snow thrower or making any adjustments or inspections.
- Take all possible precautions when leaving the unit unattended. Disengage the attachment clutch lever or switch, lower the snow thrower, shift into neutral, set the parking brake, stop the engine and remove the key.
- When cleaning, repairing or inspecting, make certain all moving parts have stopped. Disconnect the spark plug wire and keep it away from the plug to prevent accidental starting.
- Do not run engine indoors except when transporting the snow thrower in or out of the building. Open the outside doors. Exhaust fumes are dangerous.
- Do not clear snow across the face of slopes. Exercise extreme caution when changing direction on slopes. Do not attempt to clear steep slopes. Refer to the slope guide on page 35 of this manual.
- Never operate the snow thrower without guards, plates or other safety protection devices in place.
- Never operate the snow thrower near glass enclosures, automobiles, window wells, drop offs etc. without proper adjustment of the snow thrower discharge angle.
- Never run the snow thrower into snow at high speeds.
- Do not overload the snow thrower capacity by attempting to clear snow at too fast a rate.
- Never operate the snow thrower at high transport speed on slippery surfaces. Look behind and use care when backing up.
- Watch for traffic and stay alert when crossing or operating near roadways.
- Disengage power to the snow thrower when transporting or when not in use.
- Use only attachments and accessories approved by the manufacturer of the snow thrower (such as wheel weights, counter weights, cabs etc.)
- Never operate the snow thrower without good visibility.

# HARDWARE PACKAGE CONTENTS

## SHOWN ACTUAL SIZE



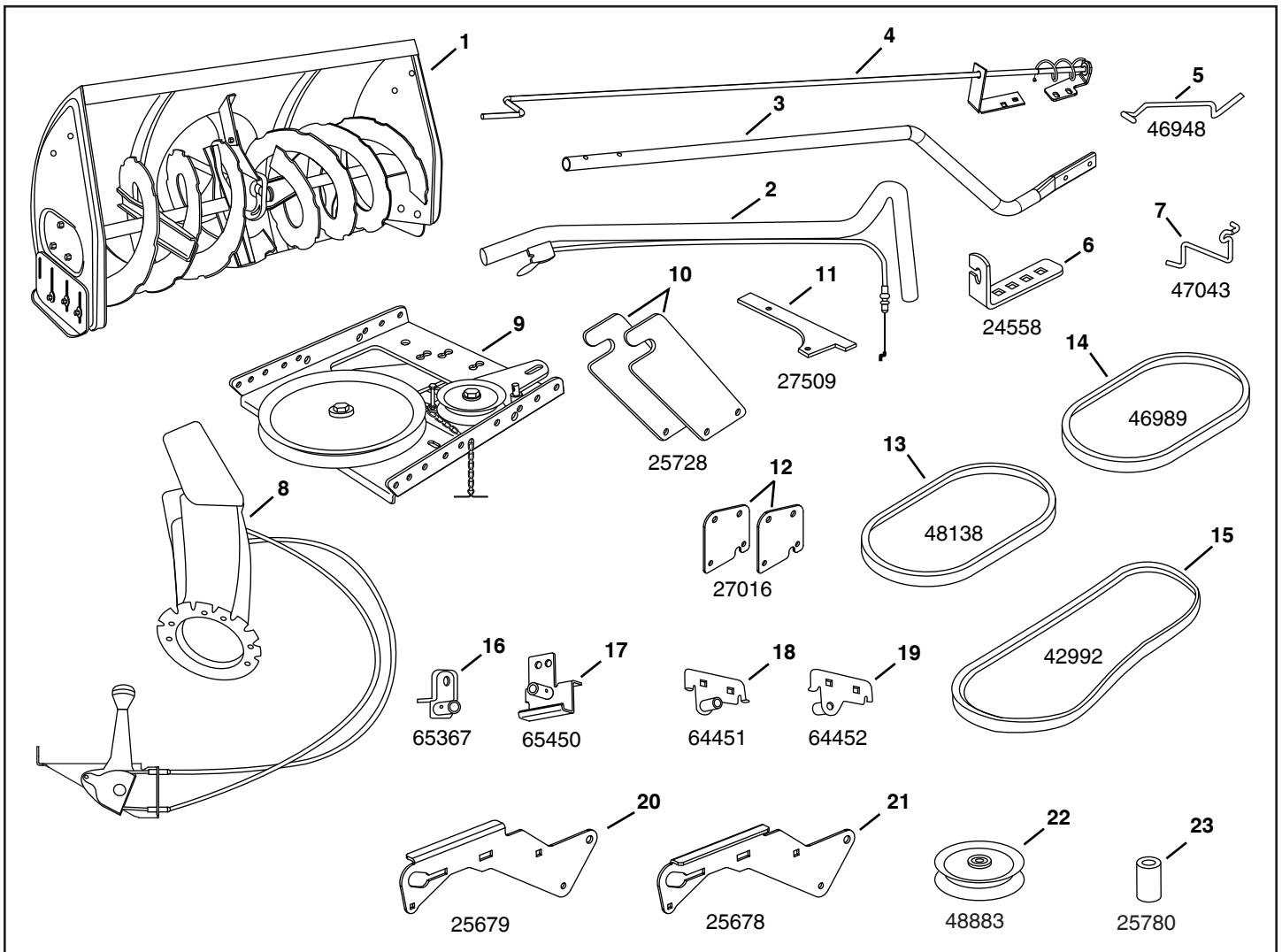
## NOT SHOWN ACTUAL SIZE



REF.	QTY.	DESCRIPTION	REF.	QTY.	DESCRIPTION
A	1	Hex Bolt, 3/8" x 3-1/4"	U	2	Bowed Washer
B	2	Hex Bolt, 5/16" x 1-3/4"	V	6	Flanged Nut, 1/4"
C	4	Hex Bolt, 5/16" x 1"	W	1	Flanged Nut, 5/16"
D	4	Hex Bolt, 5/16" x 3/4"	X	10	Flanged Nut, 3/8"
E	6	Hex Bolt, 1/4" x 1"	Y	22	Nylock Nut, 5/16" (2 spare parts)
F	6	Hex Bolt, 3/8" x 1" (Thread Forming)	Z	2	Hex Lock Nut, 3/8"
G	2	Hex Bolt, 5/16" x 3/4" (Thread Forming)	AA	1	Spring
H	6	Carriage Bolt, 3/8" x 1"	BB	3	Chute Keeper
I	2	Carriage Bolt, 5/16" x 1-3/4"	CC	3	Chute Spacer
J	2	Carriage Bolt, 5/16" x 1-1/4"	DD	1	Trunnion
K	4	Carriage Bolt, 5/16" x 1"	EE	2	Hairpin Cotter, 5/64"
L	2	Carriage Bolt, 5/16" x 3/4"	FF	4	Hairpin Cotter, 1/8"
M	4	Shoulder Bolt	GG	2	Hairpin Cotter, 3/32"
N	2	Shear Bolt (spare parts)	HH	2	Lock Pin
O	7	Lock Washer, 3/8"	II	1	Small Spacer
P	7	Washer, 1/4"	JJ	2	Chain, Tensioning
Q	22	Washer, 5/16" (Extra washers included)	KK	2	Tail Reflector
R	8	Washer, 1/2"	LL	2	Nylon Tie
S	1	Washer, 3/8" (Thin)	MM	1	Grip
T	3	Washer, 3/8"	NN	1	Plug

## CARTON CONTENTS

- |   |  |
|---|--|
| 1. Housing Assembly                               | 13. V-Belt, Drive 56" (#48138)                   |
| 2. Lift Handle and Cable                          | 14. V-Belt, Drive 55" (#46989)                   |
| 3. Crank Rod Support Tube                         | 15. V-Belt, Auger (Attached to Housing Assembly) |
| 4. Chute Crank Rod Assembly                       | 16. L.H. Hanger Bracket (Outside Mounting)       |
| 5. Engagement Rod (Not used on some models)       | 17. R.H. Hanger Bracket (Outside Mounting)       |
| 6. Cable Bracket                                  | 18. L.H. Hanger Bracket (Inside Mounting)        |
| 7. Engine Pulley Keeper (Not used on some models) | 19. R.H. Hanger Bracket (Inside Mounting)        |
| 8. Chute and Control Cable Assembly               | 20. Left Hand Side Plate                         |
| 9. Clutch Idler Assembly                          | 21. Right Hand Side Plate                        |
| 10. Rear Pulley Frame Bracket (2)                 | 22. Pulley                                       |
| 11. Anti-rotation Bracket.                        | 23. Large Spacer, 3/8"                           |
| 12. Front Pulley Frame Bracket (2)                |  |



# ASSEMBLY

## TOOLS REQUIRED FOR ASSEMBLY

- (2) 7/16" Wrenches
- (2) 1/2" Wrenches
- (2) 9/16" Wrenches
- (2) 3/4" Wrenches
- (1) Knife

## ADDITIONAL ITEMS REQUIRED

General Purpose Grease

## REMOVAL OF PARTS FROM CARTON

- Remove all parts and hardware packages from the carton. Lay out parts and hardware and identify using the illustrations on pages 4 and 6.

**NOTE:** Not all of the supplied parts and hardware will be needed for your particular tractor. Unneeded items may be discarded after you have completed assembly and checked operation of unit. **DO NOT DISCARD** the two spare shear bolts and 5/16" nylock nuts. Refer to the Service and Adjustments section on page 27.



**CAUTION:** Before starting to assemble the snow thrower, remove the spark plug wire(s), set the parking brake and remove the key from the tractor ignition.



**CAUTION:** Do not begin assembling until the tractor engine, muffler and exhaust deflector have been allowed to cool off.

## TRACTOR PREPARATION

Before performing these instructions, refer to the Service and Adjustments section of your tractor owner's manual for specific safety instructions.

- Allow engine, muffler and exhaust deflector to cool before beginning.
- Remove any front or rear attachment which is mounted to your tractor.
- Remove the mower deck. Refer to your tractor owner's manual for removal instructions. Mark all loose parts and save for reassembly.
- Remove the tractor hood. Refer to your tractor owner's manual for removal instructions.

**IMPORTANT:** Right hand (R.H.) and left hand (L.H.) side of the tractor are determined from the operators position while seated on the tractor.

## IDENTIFY YOU TRACTOR

### STEP 1: (SEE FIGURE 1)

- Look under the front of your tractor. If there is a single mower deck suspension bracket located underneath the middle of the front axle, continue on to step 2. **If your tractor does not have a mower deck suspension bracket underneath the middle of the front axle, skip to step 21 on page 13** for tractors with dual suspension brackets.

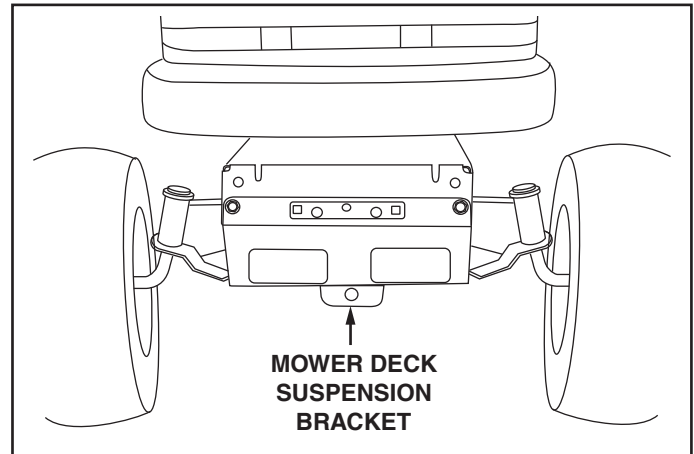


FIGURE 1

## INSTRUCTIONS FOR TRACTORS WITH SINGLE FRONT DECK SUSPENSION BRACKET

### STEP 2: (SEE FIGURE 2)

- Remove the browning shield from the front of the tractor as shown. Hold onto the shield as you remove the second screw to prevent it from falling.
- Be sure to reinstall the browning shield when so instructed in step 3.

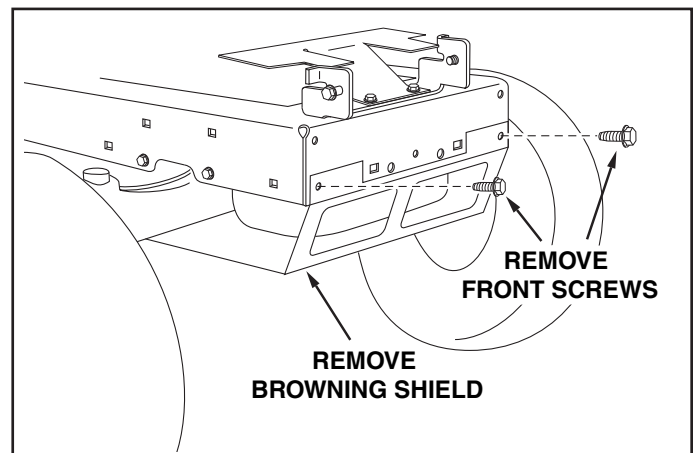


FIGURE 2

RIGHT SIDE VIEW

## INSTALL SIDE PLATES

### STEP 3: (SEE FIGURE 3)

- Fasten the R.H. Side Plate (bend facing out) to the front three holes in the tractor frame using three 3/8" x 1" carriage bolts, three 1/2" washers (see note) and three 3/8" flange nuts. For the rear hole, use a 5/16" x 1" carriage bolt, a 1/2" washer and a 5/16" nylock nut. Place the 1/2" washers between the tractor frame and the side plate. Repeat for L.H. side plate.
- Reinstall the browning shield onto the tractor frame using the original screws.

**NOTE:** If there is an engine mounting plate (shown with dotted lines) leave the 1/2" washer off the bolt that goes through the plate.

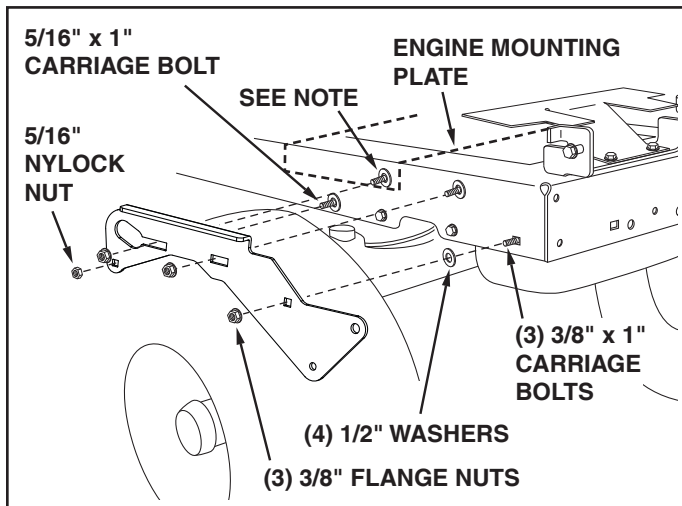


FIGURE 3 RIGHT SIDE VIEW

### STEP 4: (SEE FIGURE 4)

- Install a shoulder bolt, a 3/8" washer and a 3/8" flanged lock nut in the R.H. and L.H. Side Plates.

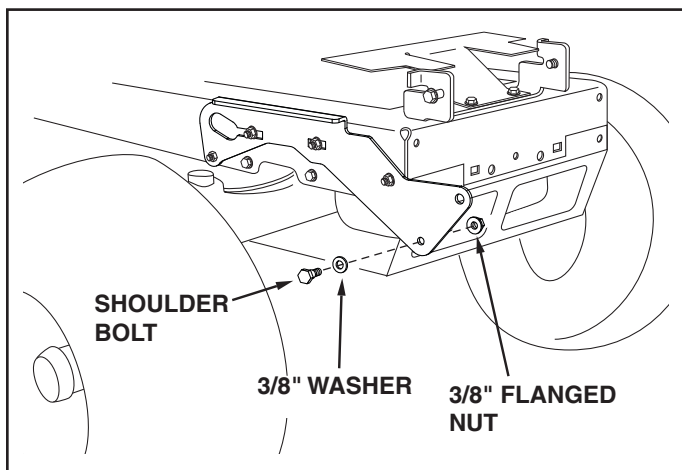


FIGURE 4 RIGHT SIDE VIEW

## INSTALL HANGER BRACKETS AND SHOULDER BOLTS TO OUTSIDE OF FRAME

### STEP 5: (SEE FIGURE 5)

- Remove the bolt, if present, in the hole directly behind the brake rod on the left side of the tractor frame.
- Attach the L.H. Hanger Bracket (tube facing out) to the hole using a 5/16" x 3/4" self threading bolt.
- Install a shoulder bolt into the hole that is 9-1/2" to the rear of the bolt you just installed. Secure it with a 3/8" flange nut on the inside of the frame.

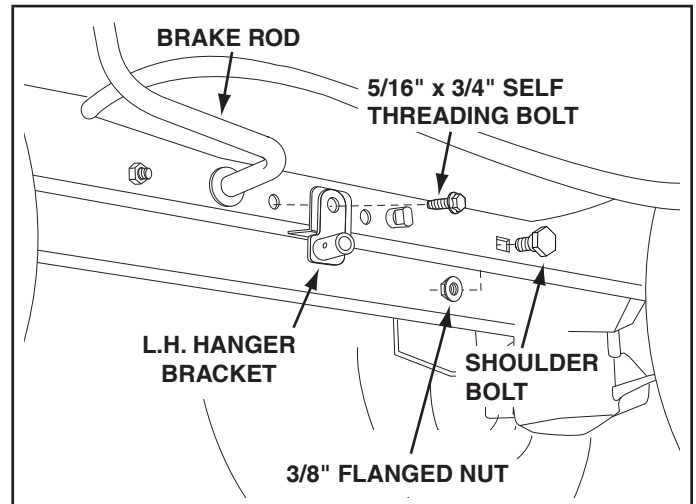


FIGURE 5 LEFT SIDE VIEW

### STEP 6: (SEE FIGURE 6)

- Remove the bracket, if present, from the hole directly behind the end of the brake rod on the right side of the tractor frame. Store the bracket and bolt.
- Attach the R.H. Hanger Bracket to the hole using a 5/16" x 3/4" self threading bolt.
- Install a shoulder bolt into the hole that is 9-1/2" to the rear of the bolt you just installed. Secure it with a 3/8" flange nut on the inside of the frame.

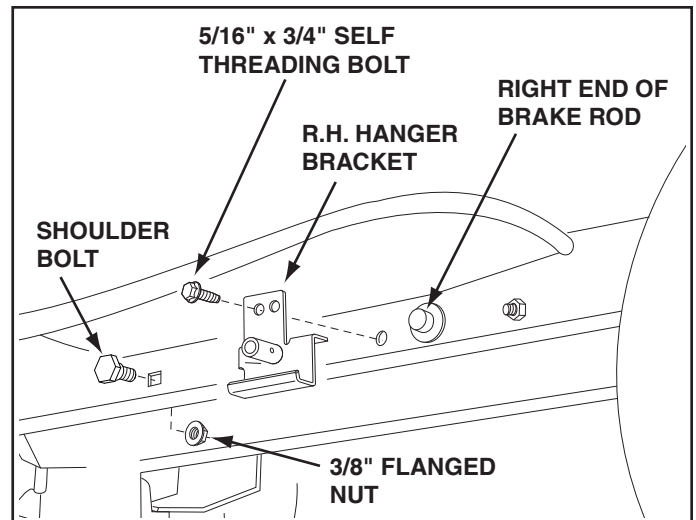


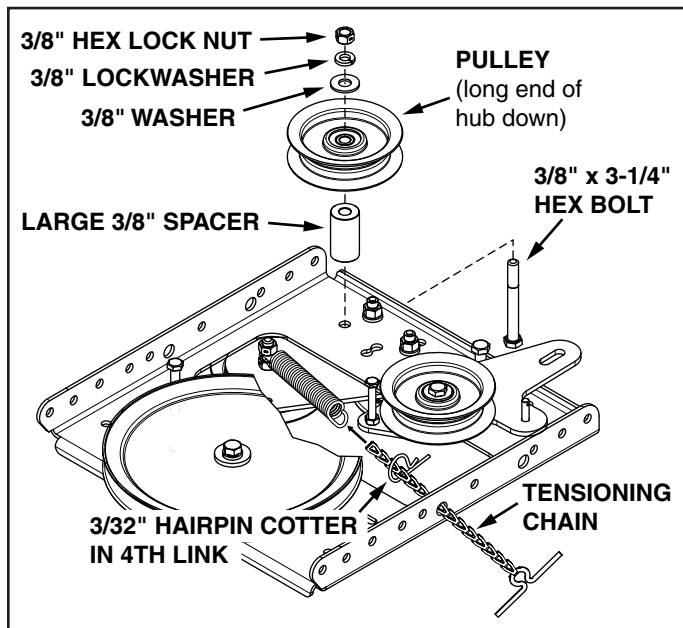
FIGURE 6 RIGHT SIDE VIEW



**THIS SECTION IS FOR TRACTORS WITH A MANUAL ATTACHMENT CLUTCH**  
**If your tractor has an electric attachment clutch go to step 14 on page 11.**

**STEP 8: (SEE FIGURE 8)**

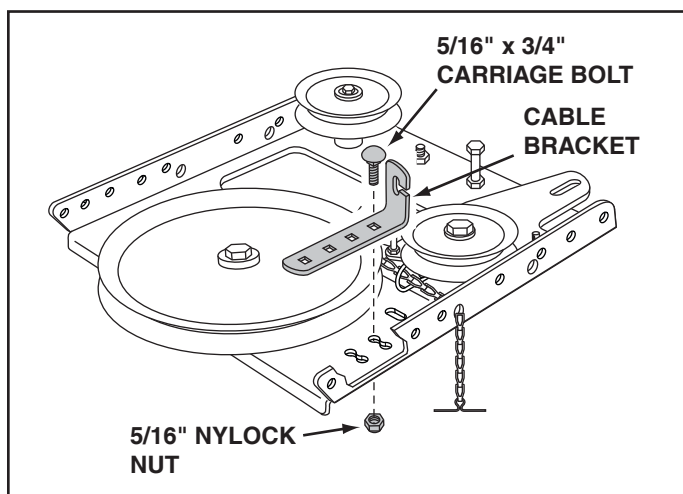
- Attach the pulley (long end of hub facing down) and the large 3/8" spacer to the clutch frame. Use a 3/8" x 3-1/4" hex bolt, a 3/8" washer, a 3/8" lock washer and a 3/8" hex lock nut.
- Install a tensioning chain through the hole shown and then insert a 3/32" hairpin cotter into the 4th link.
- Attach the chain to the spring on the lower idler arm.



**FIGURE 7**

**STEP 7: (SEE FIGURE 7)**

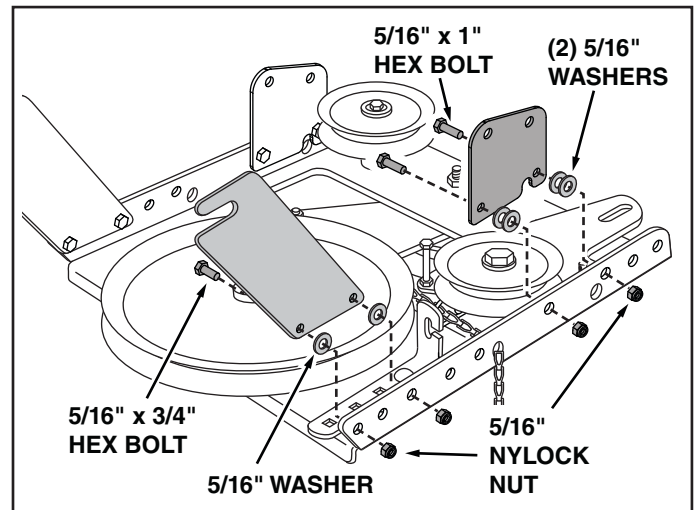
- Attach the cable bracket to the double hole in the clutch frame as shown, using a 5/16" x 3/4" carriage bolt and a 5/16" nylock nut. Place the bolt in the front hole of the bracket and in the end of the hole closest to the pulley. **Do not tighten yet.**



**FIGURE 8**

**STEP 9: (SEE FIGURE 9)**

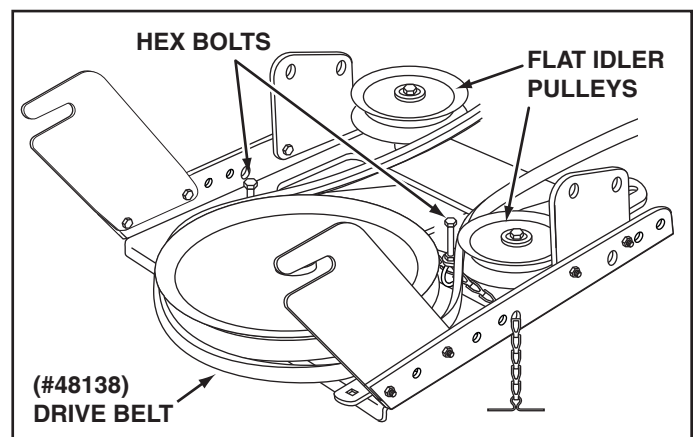
- Attach each rear pulley frame bracket to the inside of the clutch frame using two 5/16" x 3/4" hex bolts, 5/16" washers and 5/16" nylock nuts.
- Attach each front pulley frame bracket to the inside of the clutch frame using two 5/16" x 1" hex bolts, four 5/16" washers and two 5/16" nylock nuts.



**FIGURE 9**

**STEP 10: (SEE FIGURE 10)**

- Two different length drive belts are included with your snow thrower. Use the longer, 56" drive belt (#48138) on tractors with manual attachment clutches.
- Slightly loosen the hex bolt next to the flat idler pulley. Install the drive belt down between the hex bolt and the flat idler pulley with the flat side of the belt against the pulley. Retighten the hex bolt.
- Loop the belt around the large v-pulley, placing it between the v-pulley and the hex bolt next to the pulley. Place the belt to the inside of the other flat idler pulley.



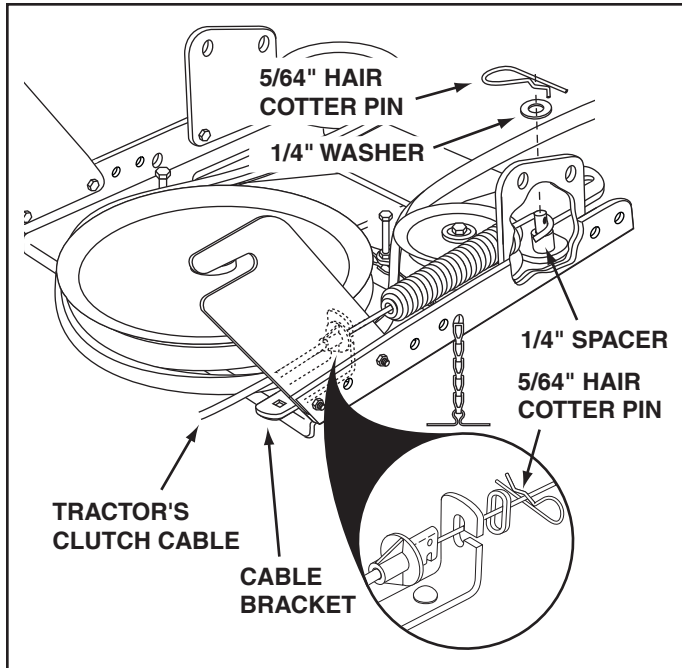
**FIGURE 10**



Did you select the correct drive belt for your tractor? Using the wrong length belt may cause premature bearing or belt failure.

**STEP 11: (SEE FIGURE 11)**

- Find the cable clip that is attached to the left side of the tractor frame underneath the footrest. Open the clip and remove the mower clutch cable. **Do not remove** the clip from the tractor frame. The cable reattaches to the clip when using the mower deck.
- Move the attachment clutch lever on the dash panel to the disengaged position.
- Place the clutch/idler assembly on the floor on the left side of the tractor.
- Attach the tractor's mower clutch cable to the cable bracket on the clutch/idler assembly. Secure the cable housing guide (groove down) to the cable bracket using the original collar and a 5/64" hair cotter pin.
- Place the small spacer on the welded pin on the idler arm. Hook the end of the clutch cable spring over the pin and secure it with a 1/4" washer and a 5/64" hair cotter pin.
- Align cable bracket with welded pin and tighten the nut assembled in step 7.

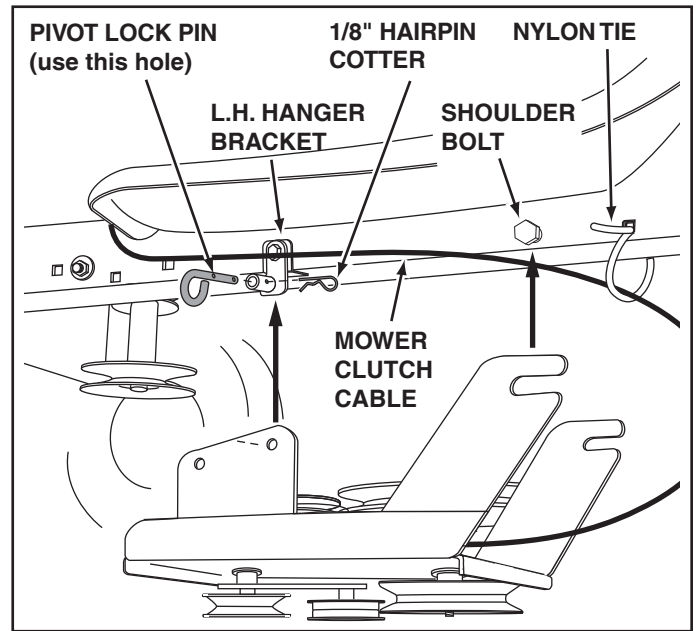


**FIGURE 11**

**ATTACH CLUTCH IDLER ASSEMBLY TO TRACTOR**

**STEP 12: (SEE FIGURE 12)**

- Hook the rear of the clutch/idler assembly onto the two shoulder bolts assembled to the tractor frame. Lift the front of the assembly and attach it to the R.H. and L.H. hanger brackets using two lock pins and 1/8" hairpin cotters.
- Loosely attach the mower clutch cable to the left side of the tractor frame with a nylon tie. **Do not** pull the nylon tie completely tight. The cable may need to be removed from the nylon tie when using the mower deck.



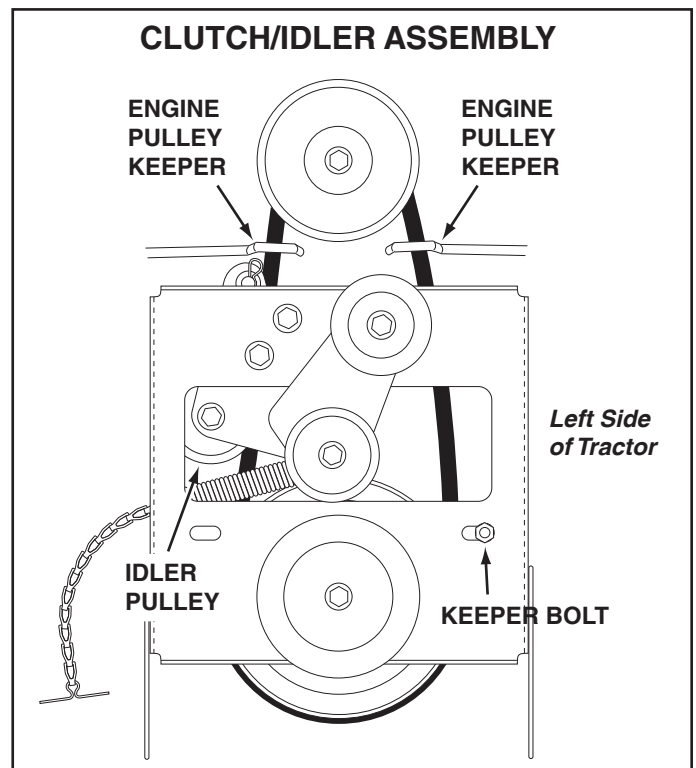
**FIGURE 12 VIEWED FROM LEFT SIDE**

**STEP 13: (SEE FIGURE 13)**

- Assemble the drive belt onto the engine pulley first and then onto the large pulley on top of the clutch/idler assembly. The belt must be placed inside the engine pulley belt keeper(s) and between the large pulley and the keeper bolt next to it.

**IMPORTANT: Do Not** assemble the "V" belt outside of the engine pulley keepers or outside of the keeper bolt next to the large pulley.

- Go to step 48 on page 21.

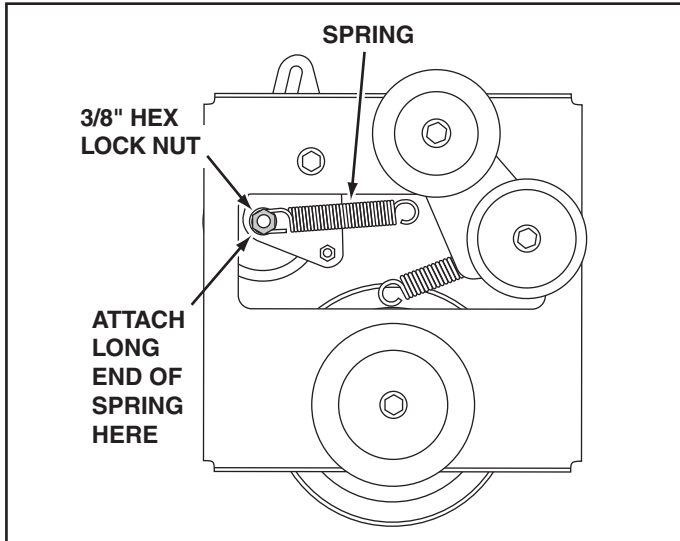


**FIGURE 13 VIEWED FROM UNDERNEATH**

**THIS SECTION IS FOR TRACTORS WITH AN ELECTRIC ATTACHMENT CLUTCH**

**STEP 14: (SEE FIGURE 14)**

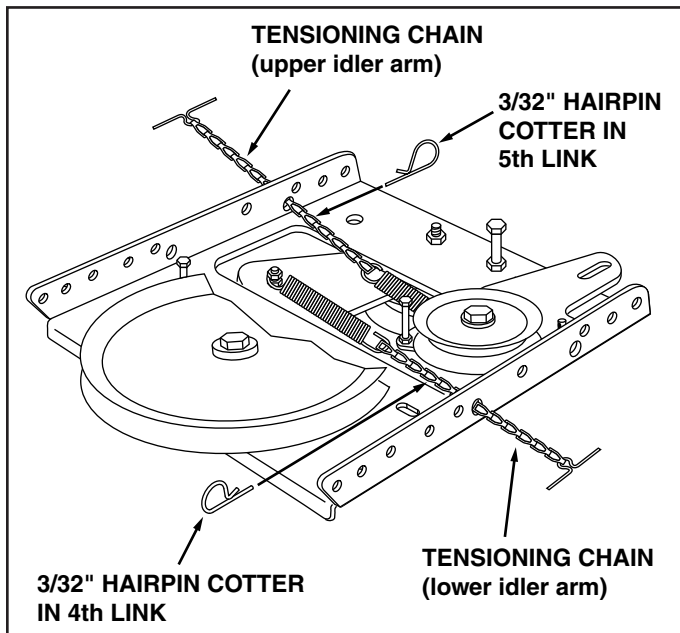
- Turn the clutch idler assembly upside down.
- Hook the long end of the spring onto the end of the bolt that extends through the nut on the bottom of the upper idler arm. Install a 3/8" hex lock nut onto the bolt, leaving enough space for the spring to pivot.



**FIGURE 14**

**STEP 15: (SEE FIGURE 15)**

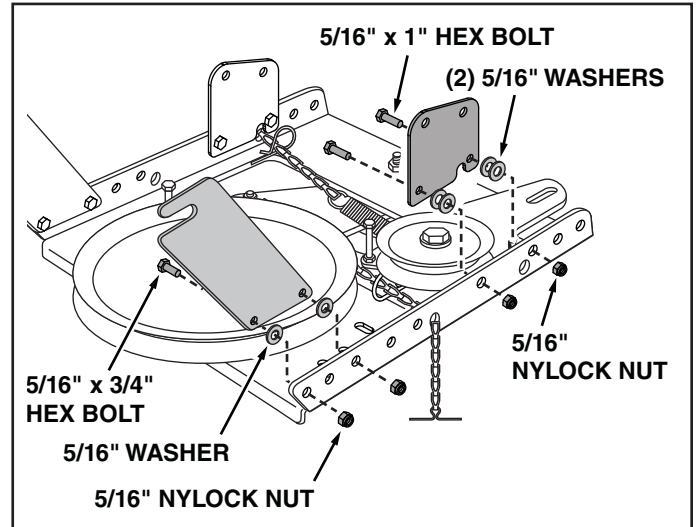
- Insert tensioning chains through the holes shown and attach to the springs on the upper and lower idler arms.
- Install a 3/32" hairpin cotter in the 5th link of the chain attached to the upper idler arm.
- Install a 3/32" hairpin cotter in the 4th link of the chain attached to the lower idler arm.



**FIGURE 15**

**STEP 16: (SEE FIGURE 16)**

- Attach each rear pulley frame bracket to the inside of the clutch/idler assembly using two 5/16" x 3/4" hex bolts, 5/16" washers and 5/16" nylock nuts.
- Attach each front pulley frame bracket to the inside of the clutch/idler assembly using two 5/16" x 1" hex bolts, four 5/16" washers and two 5/16" nylock nuts.



**FIGURE 16**

**SELECT THE CORRECT DRIVE BELT (Electric clutch tractors with a single front deck suspension bracket)**

**STEP 17: (SEE TABLE 1)**

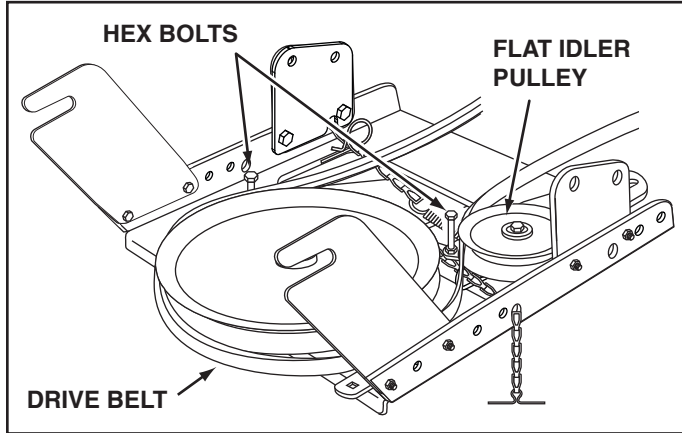
- Two different length drive belts are included with your snow thrower. Use the table below to select the correct drive belt for your type tractor. The part number is printed on the outside of the belt.
- Set aside the belt that is not for your tractor to avoid accidentally using it.

55" BELT (PART #46989)		
TRACTOR TYPE	DECK SIZE	CLUTCH TYPE
(LT) Lawn Tractor	38", 42"	Electric
56" BELT (PART #48138)		
TRACTOR TYPE	DECK SIZE	CLUTCH TYPE
(LT) Lawn Tractor	48"	Electric
(GT) Garden Tractor	48", 54"	Electric

**TABLE 1**

**STEP 18: (SEE FIGURE 17)**

- Turn the clutch/idler assembly right side up.
- Slightly loosen the hex bolt next to the flat idler pulley. Install the drive belt down between the hex bolt and the flat idler pulley with the flat side of the belt against the pulley. Retighten the hex bolt.
- Loop the belt around the large v-pulley, placing it between the v-pulley and the hex bolt next to the pulley.

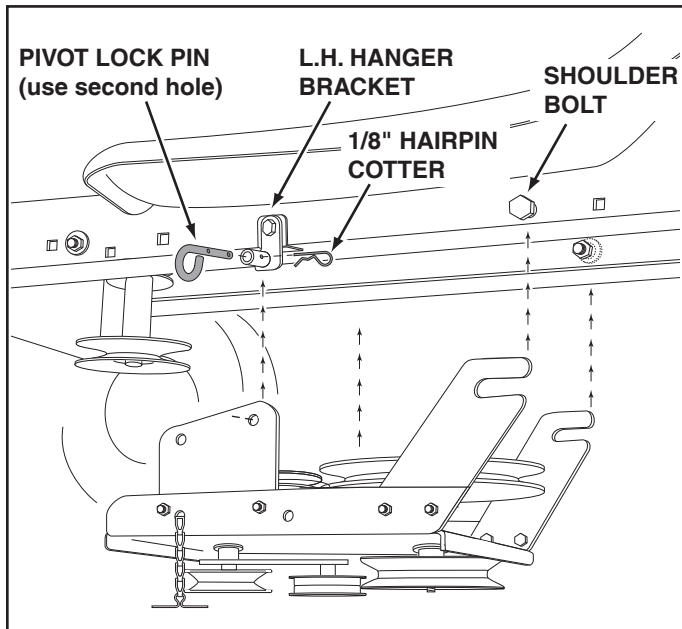


**FIGURE 17**

**STOP** Did you choose the correct drive belt for your tractor? Using the wrong length belt may cause premature bearing or belt failure.

**STEP 19: (SEE FIGURE 18)**

- Hook the rear of the clutch/idler assembly onto the two shoulder bolts assembled to the outside of the tractor frame. Lift the front of the assembly and attach it to the R.H. and L.H. hanger brackets using two pivot lock pins and 1/8" hairpin cotters.



**FIGURE 18**

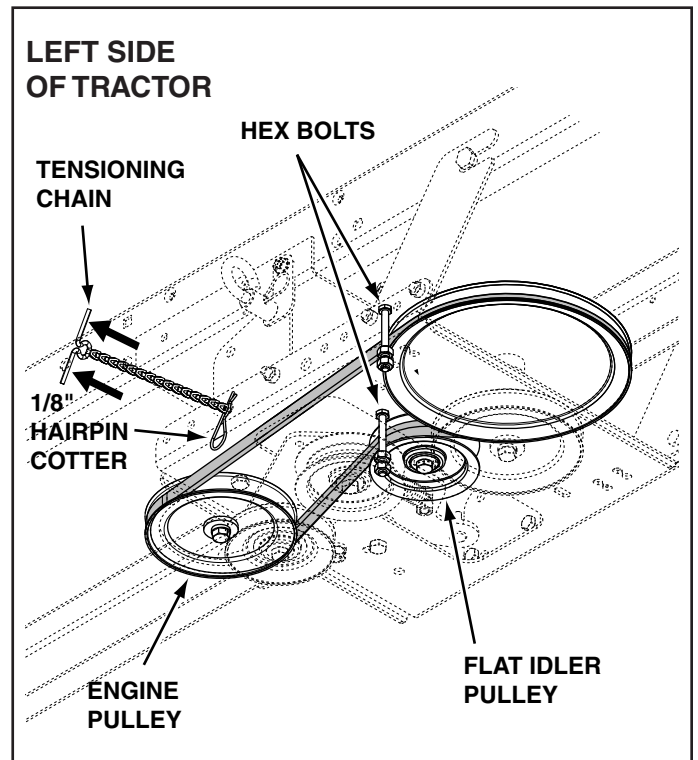
**VIEWED FROM LEFT SIDE**

**STEP 20: (SEE FIGURE 19)**

- Assemble the drive belt onto the engine pulley. You may need to remove the belt from the large pulley on the clutch/idler assembly in order to assemble it onto the engine pulley. When re-assembling the belt onto the large pulley, be sure the belt is between the large pulley and the hex bolt next to it.
- Place tension on the belt by pulling the left side tensioning chain out as far as the 3/32" hairpin cotter that was installed in the chain in step 15 will allow. Secure the chain in this position by inserting a 1/8" hairpin cotter through the chain.

**NOTE:** To prevent the chain from dragging on the ground, loop the end of the chain through the pivot lock pin. Refer to figure 56 on page 23.

- Go to step 48 on page 21.



**FIGURE 19**

**VIEWED FROM UNDERNEATH**



# INSTRUCTIONS FOR TRACTORS WITH DUAL FRONT DECK SUSPENSION BRACKETS

## FASTEN SIDE PLATES TO TRACTOR

If your tractor resembles figure 20, start with step 21.  
If your tractor resembles figure 22, start with step 23.

### STEP 21: (SEE FIGURE 20)

- Remove bolts from front three holes shown.
- If a bolt is present in the fourth hole, replace it with a 5/16" x 1" carriage bolt without a nut. The bracket fastened to inside of frame must remain in place.

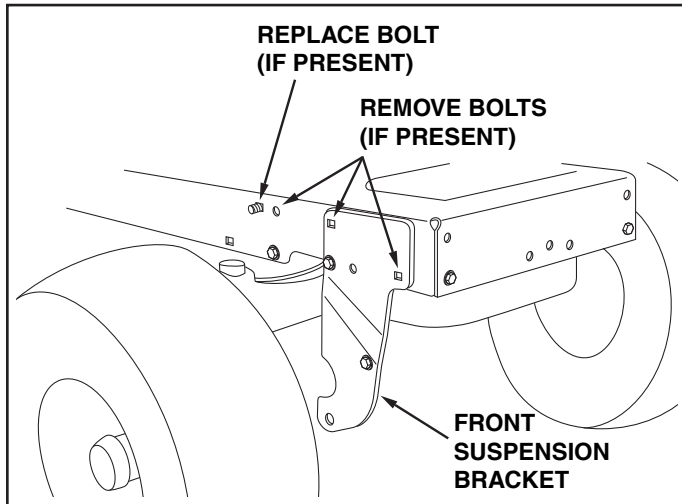


FIGURE 20 RIGHT SIDE VIEW

### STEP 22: (SEE FIGURE 21)

- Fasten the R.H. Side Plate (bend facing out) to the front three holes shown in the tractor frame using three 3/8" x 1" thread forming bolts, three 3/8" lock washers and one 1/2" washer. Place the washer on the third bolt as a shim between the side plate and the frame. Tighten all bolts. Repeat for the L.H. side.
- NOTE:** If you installed a bolt in the fourth hole in step 21, assemble a 5/16" flange nut onto the bolt after the side plate is installed.
- Go to step 25 on this page.

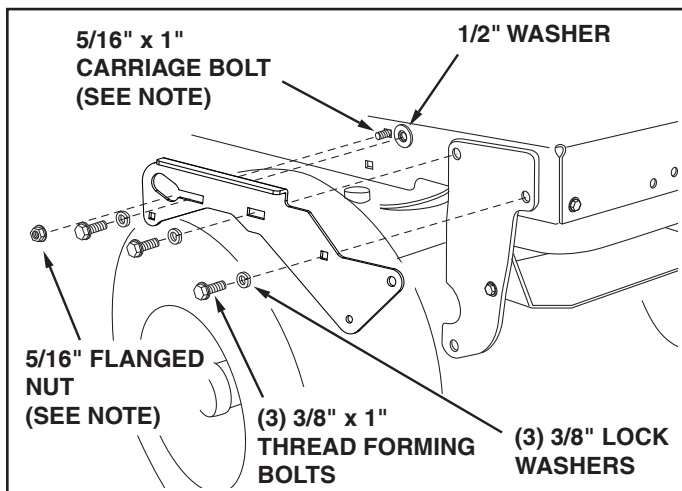


FIGURE 21 RIGHT SIDE VIEW

### STEP 23: (SEE FIGURE 22)

- Remove any bolts found in the holes shown.

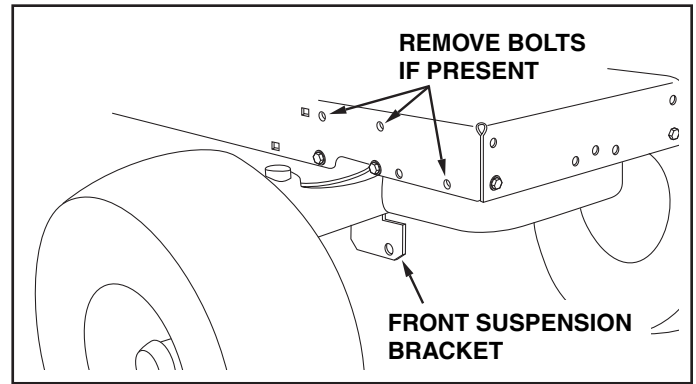


FIGURE 22 RIGHT SIDE VIEW

### STEP 24: (SEE FIGURE 23)

- Fasten the R.H. Side Plate (bend facing out) to the three holes shown in the tractor frame. Use three 3/8" x 1" thread forming bolts, 3/8" lock washers and 1/2" washers. Use the 1/2" washers as shims between the Side Plate and the tractor frame. Tighten all bolts and repeat for the L.H. side.

**NOTE:** If the bolt inserts freely into the front hole, assemble a 3/8" flanged nut onto the bolt.

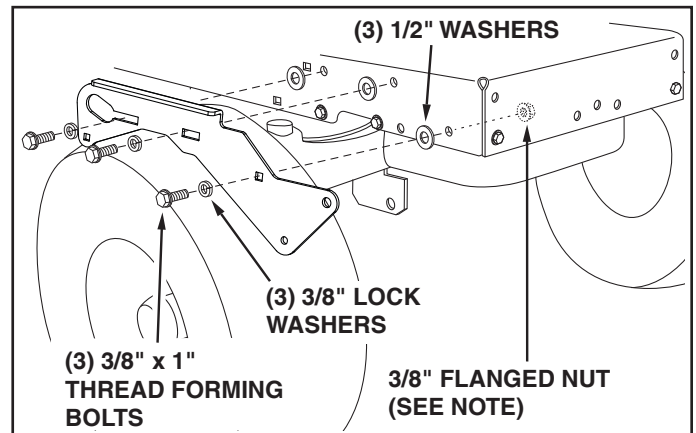


FIGURE 23 RIGHT SIDE VIEW

### STEP 25: (SEE FIGURE 24)

- Install a hex head shoulder bolt, a 3/8" washer and a 3/8" flanged lock nut in the R.H. and L.H. Side Plates.

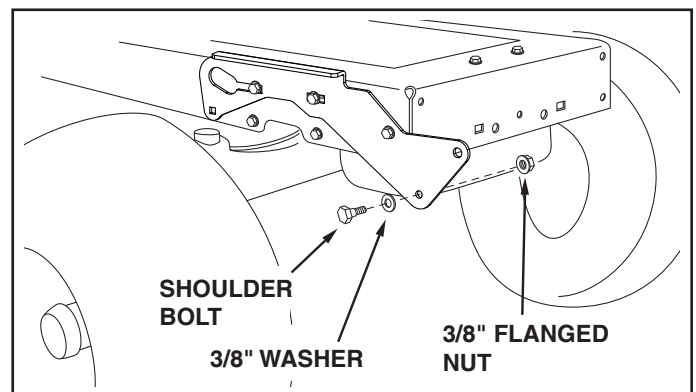


FIGURE 24 RIGHT SIDE VIEW

## INSTALLING HANGER BRACKETS

For better clearance, lower the tractor's suspension arms using the attachment lift lever.

### STEP 26: (SEE FIGURE 25 OR 26)

#### On Tractors With Foot Rest Brackets

- Remove the bolt and nut that fasten the L.H. and R.H. foot rest brackets to the frame.
- Attach the L.H. Hanger Bracket (marked "L") to the inside of the tractor frame using two 3/8" x 1" carriage bolts and 3/8" flanged nuts. Bolt heads go on inside of tractor frame. Repeat for the R.H. side.

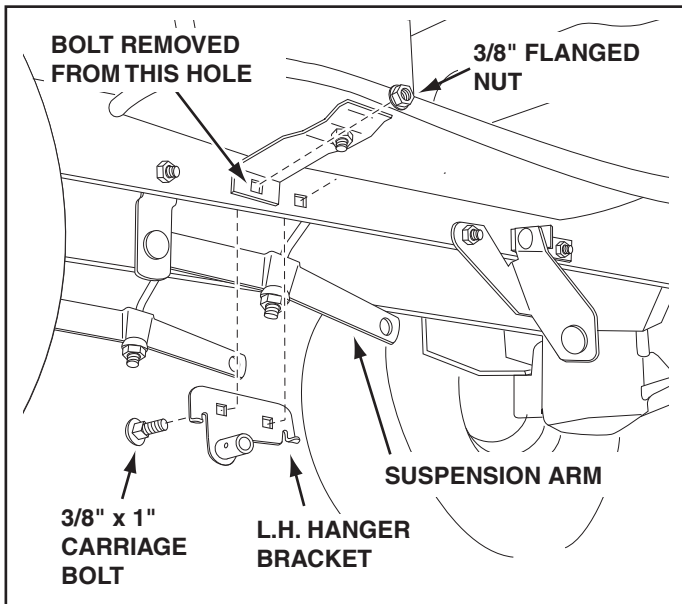


FIGURE 25 LEFT SIDE VIEW

#### On Tractors Without Foot Rest Brackets

- Find the empty hole beneath the foot rest. Attach the L.H. Hanger Bracket (marked "L") to the inside of the frame using a 3/8" x 1" carriage bolt and a 3/8" flanged nut. Bolt head goes on inside of tractor frame. Repeat for the R.H. side.

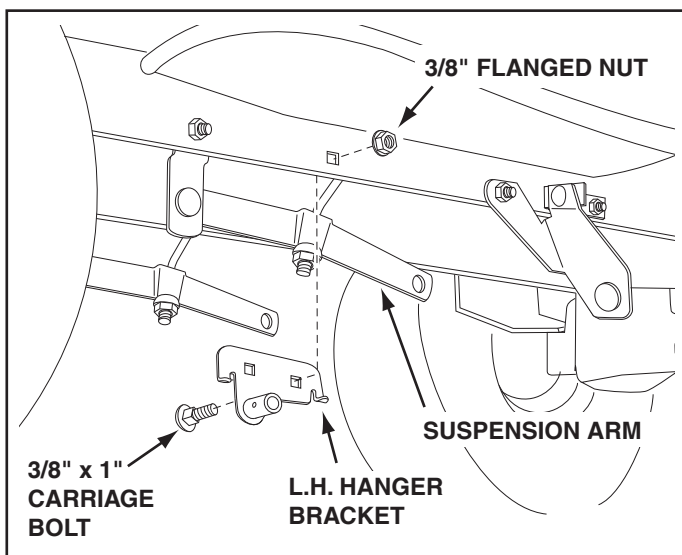


FIGURE 26 LEFT SIDE VIEW

## INSTALLING SHOULDER BOLTS

### STEP 27: (SEE FIGURE 27)

- Remove the bolt, washer and nut which fasten the sway bar bracket to the L.H. side of the tractor frame. Replace with a shoulder bolt and a 3/8" flanged nut. Bolt goes on inside of frame.

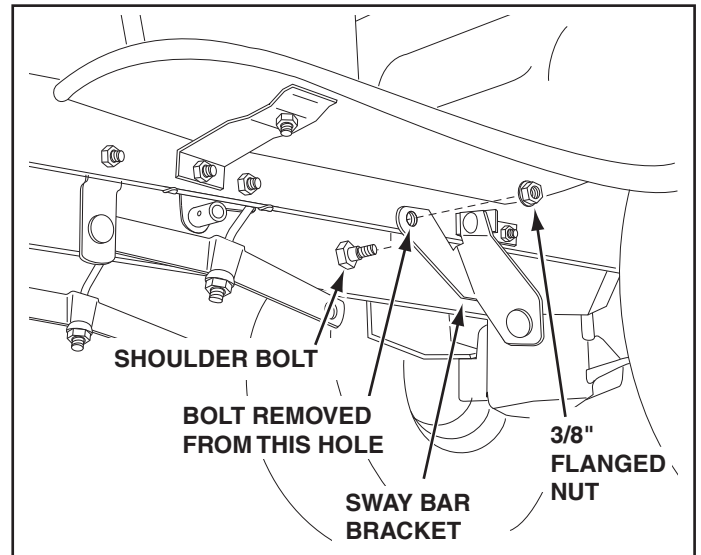


FIGURE 27 LEFT SIDE VIEW

### STEP 28: (SEE FIGURE 28)

- Assemble a shoulder bolt and 3/8" flanged nut to the R.H. side of the tractor frame, using the first empty hole to the rear of the R.H. hanger bracket. Bolt goes on inside of frame.

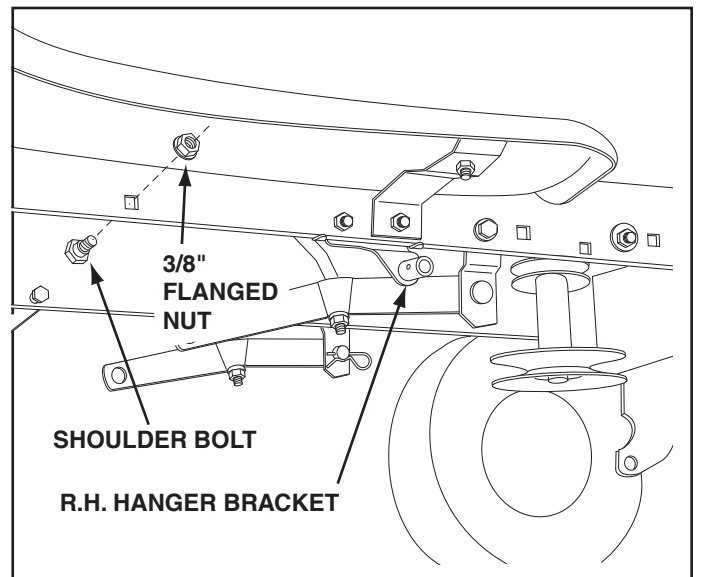


FIGURE 28 RIGHT SIDE VIEW

## INSTALLING CLUTCH/IDLER ASSEMBLY

This section covers the installation of the Clutch/Idler assembly to tractors with attachment clutches that are either rod operated (p. 15), cable operated (p. 17) or electric (p. 19). Use the appropriate instructions for your tractor.

### ROD OPERATED MANUAL ATTACHMENT CLUTCH

#### STEP 29: (SEE FIGURE 29)

- Move the attachment clutch lever on the dash panel to the disengaged (down) position.
- Screw the trunnion onto the end of the snow thrower engagement rod.
- Locate the clutch arm (where the mower clutch rod was connected) underneath the right hand side the tractor, just to the inside of the suspension arm. **If there is an extension** attached to the clutch lever, the extension, bolt and nut must be removed and stored with the mower deck.

**IMPORTANT: Re-attach the extension** to the clutch lever before reinstalling the mower deck.

- Position the engagement rod to the inside of the clutch arm and insert the drilled end of the rod through the arm. Secure with a 5/64" hairpin cotter.

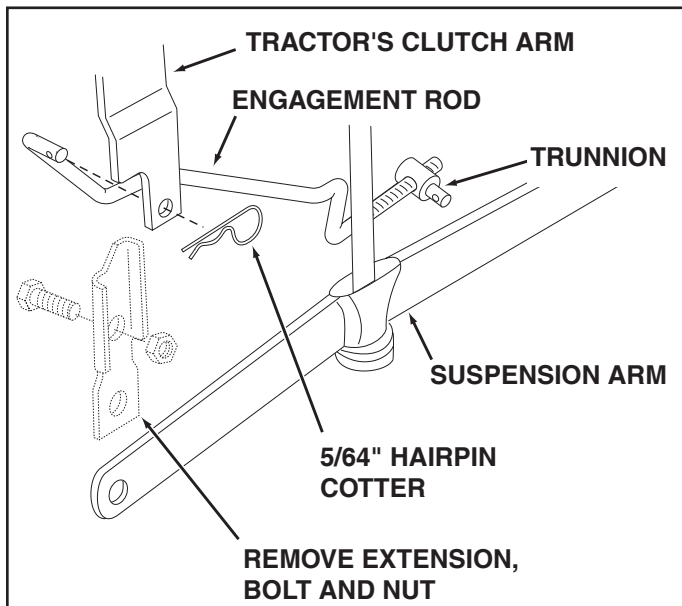


FIGURE 29

RIGHT SIDE VIEW

#### STEP 30: (SEE FIGURE 30)

- Attach the two rear pulley frame brackets to the inside of the clutch/idler assembly using two 5/16" x 1" hex bolts, eight 5/16" washers and two 5/16" nylock nuts for each bracket.
- Attach the two front pulley frame brackets to the inside of the clutch/idler assembly using two 5/16" x 3/4" hex bolts, 5/16" washers and 5/16" nylock nuts for each bracket. Add extra washers if needed.

- Insert a tensioning chain through the hole shown and attach it to the spring on the lower idler arm.
- Install a 3/32" hairpin cotter in the 4th link of the chain.

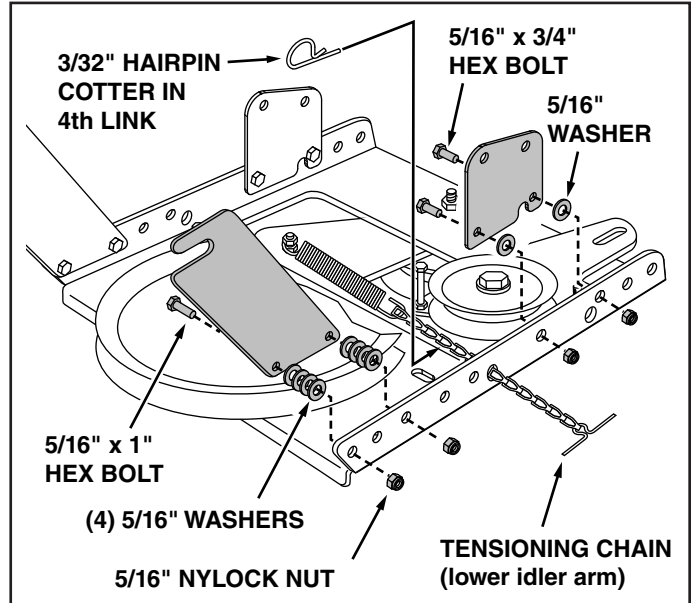


FIGURE 30

#### STEP 31: (SEE FIGURE 31)

- Two different length drive belts are included with your snow thrower. Tractors with manual attachment clutches and dual front deck suspension brackets use the 55" drive belt with #46989 printed on the outside of the belt. **DO NOT USE** the other belt.
- Slightly loosen the hex bolt next to the flat idler pulley. Install the drive belt down between the hex bolt and the flat idler pulley with the flat side of the belt against the pulley. Retighten the hex bolt.
- Loop the belt around the large v-pulley, placing it between the v-pulley and the hex bolt next to the pulley.

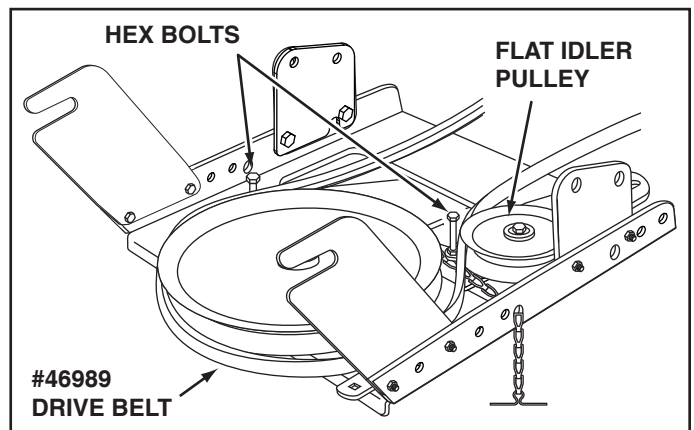


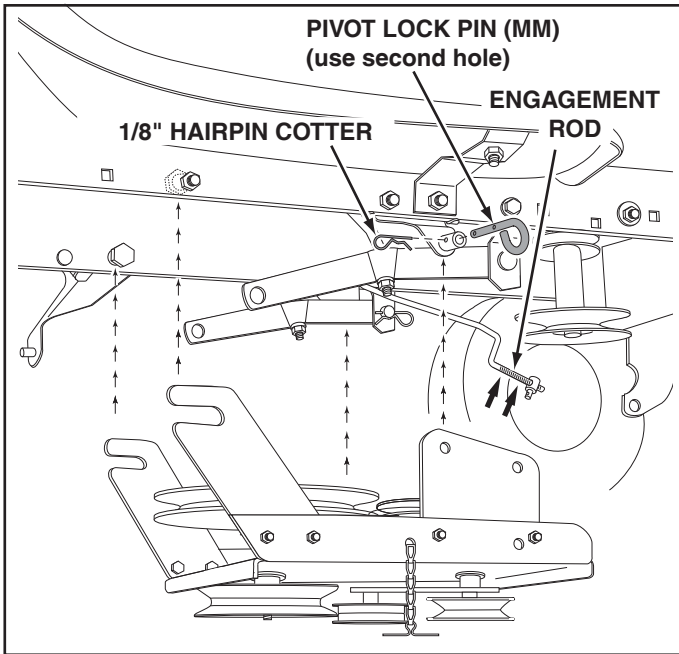
FIGURE 31



Did you choose the correct drive belt for your tractor? Using the wrong length belt may cause premature bearing or belt failure.

**STEP 32: (SEE FIGURE 32)**

- Be sure to lift up the front end of the engagement rod as shown when performing the next operation. You can temporarily support the rod using a rubber band tied to the engine pulley keeper.
- Attach the clutch/idler assembly to the tractor frame as follows. Hook the assembly's notched rear pulley frame brackets onto the two shoulder bolts you assembled to the inside of the tractor frame. Lift the front of the assembly and attach it to the R.H. and L.H. hanger brackets using two pivot lock pins and 1/8" hairpin cotters.

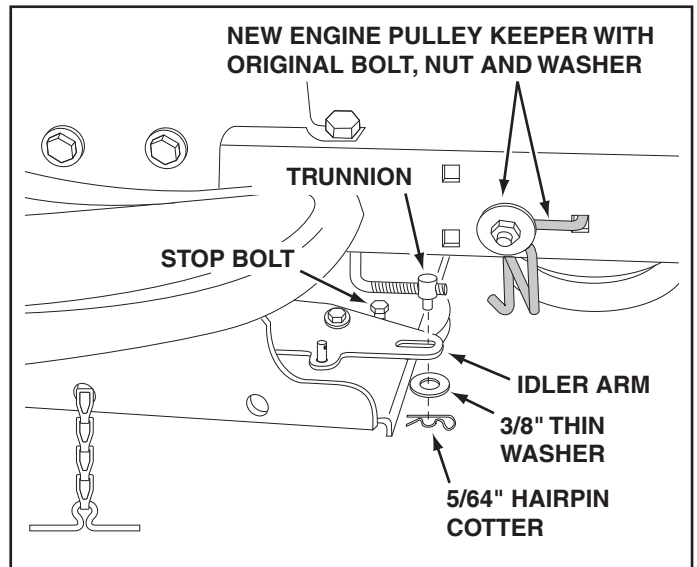


**FIGURE 32** RIGHT SIDE VIEW

**STEP 33: (SEE FIGURE 33)**

- Make sure the attachment clutch lever on the dash panel is in the disengaged (down) position.
- Pivot the upper idler arm so that it rests against the stop bolt and is pointing toward the front as shown. Screw the trunnion along the threads of the engagement rod until it is aligned at the front end of the idler arm slot. Attach the trunnion to the slot using the 3/8" thin washer and a 5/64" hairpin cotter.
- Remove the engine pulley keeper from the side of the tractor frame by removing the washer and nut that secure the keeper. Attach the new pulley keeper supplied with the snow thrower, reusing the original bolt, washer and nut.

**NOTE:** Some tractors may already be equipped with a pulley keeper that is identical to the new one supplied.



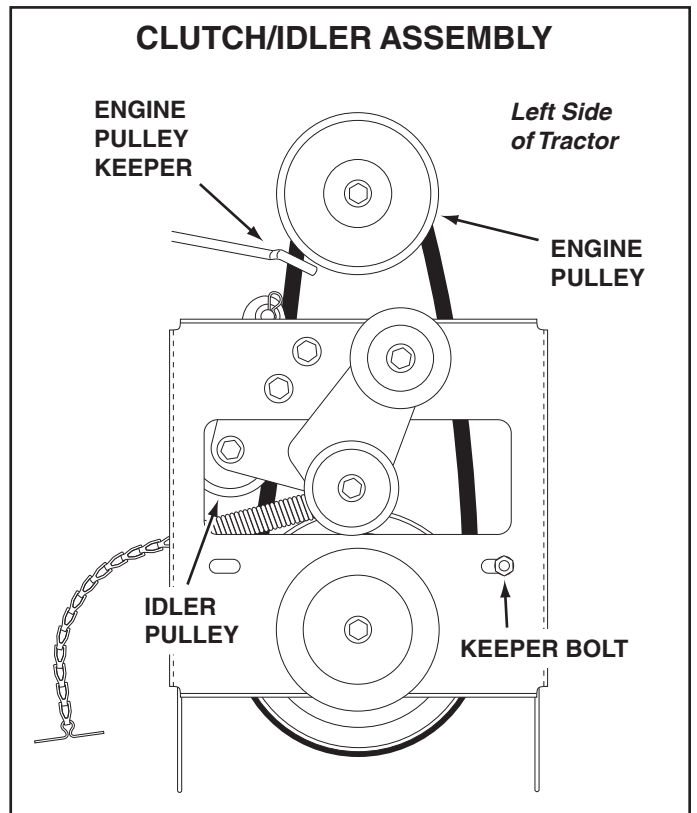
**FIGURE 33** RIGHT SIDE VIEW

**STEP 34: (SEE FIGURE 34)**

- Assemble the short "V" belt onto the engine pulley and then onto the large pulley on top of the clutch/idler assembly. The belt must be placed to the inside of the engine pulley keeper, the idler pulley and the keeper bolt located beside the large pulley.

**IMPORTANT:** Do Not assemble the "V" belt around the outside of the engine pulley keeper or the keeper bolt.

- Go to step 48 on page 21.



**FIGURE 34** VIEWED FROM UNDERNEATH



## CABLE OPERATED MANUAL ATTACHMENT CLUTCH

### STEP 35: (SEE FIGURE 35)

- Assemble the cable bracket to inner part of the double holes in the clutch/idler assembly using two 5/16" x 3/4" carriage bolts and 5/16" nylock nuts. Use the two front holes in the cable bracket for 42" mower decks. Use the two rear holes for 46" mower decks.

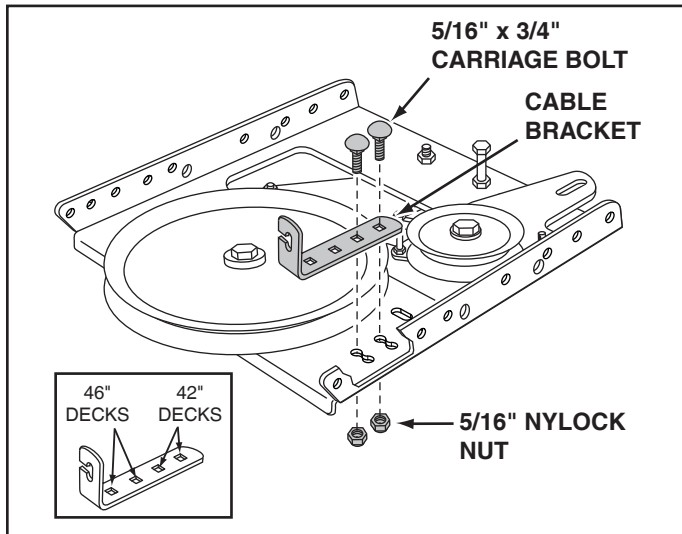


FIGURE 35

### STEP 36: (SEE FIGURE 36)

- Attach the two rear pulley frame brackets to the inside of the clutch/idler assembly using two 5/16" x 1" hex bolts, eight 5/16" washers and two 5/16" nylock nuts for each bracket.
- Attach the two front pulley frame brackets to the inside of the clutch/idler assembly using two 5/16" x 3/4" hex bolts, 5/16" washers and 5/16" nylock nuts for each bracket. Add extra washers if needed in step 39.
- Insert a tensioning chain through the hole shown and attach the end link to the spring on the lower idler arm.
- Install a 3/32" hairpin cotter in the 4th link of the chain.

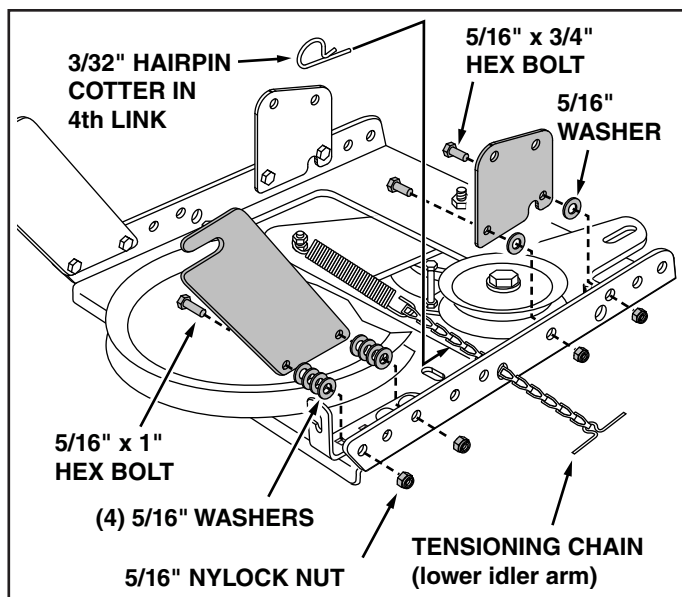


FIGURE 36

### STEP 37: (SEE FIGURE 37)

- Two different length drive belts are included with your snow thrower. Tractors with manual attachment clutches and dual front deck suspension brackets use the 55" drive belt with #46989 printed on the outside of the belt. **DO NOT USE** the other belt.
- Slightly loosen the hex bolt next to the flat idler pulley. Install the drive belt down between the hex bolt and the flat idler pulley with the flat side of the belt against the pulley. Retighten the hex bolt.
- Loop the belt around the large v-pulley, placing it between the v-pulley and the hex bolt next to the pulley.

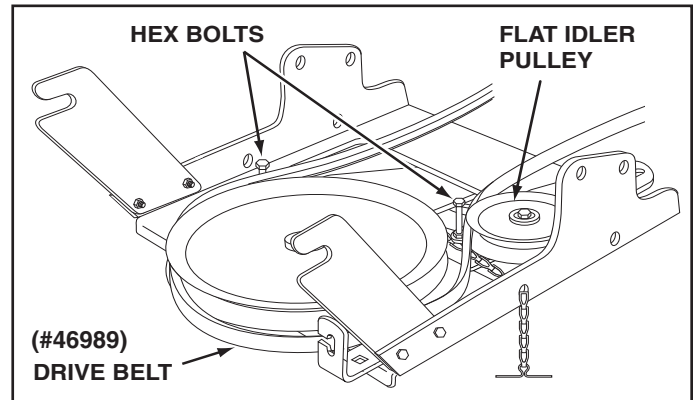


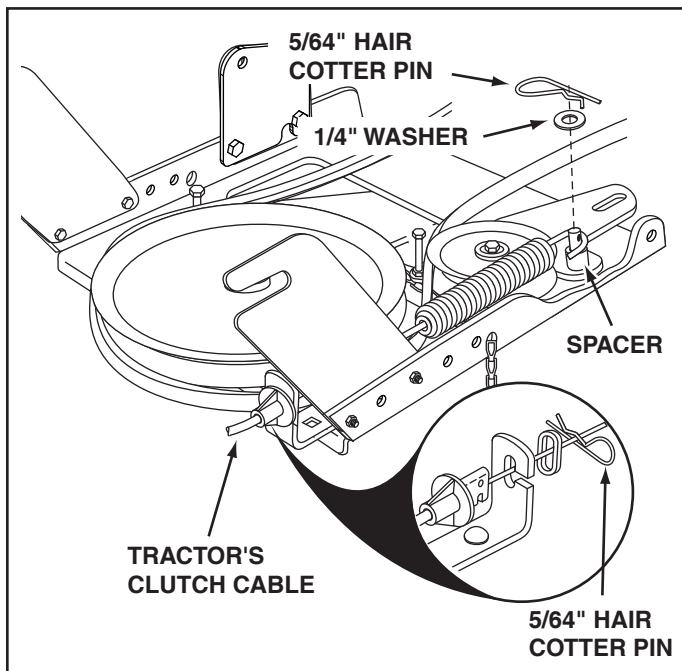
FIGURE 37



Did you choose the correct drive belt for your tractor? Using the wrong length belt may cause premature bearing or belt failure.

**STEP 38: (SEE FIGURE 38)**

- Move the attachment clutch lever on the dash panel to the disengaged (down) position.
- Place the clutch/idler assembly on the floor on the right side of the tractor.
- Attach the tractor's clutch cable to the cable bracket. Secure the cable housing guide (groove down) to the cable bracket using the original collar and a 5/64" hair cotter pin.
- Place a spacer on the welded pin on the idler arm. Hook the end of the clutch spring over the pin and secure it with a 1/4" washer and a 5/64" hair cotter pin.



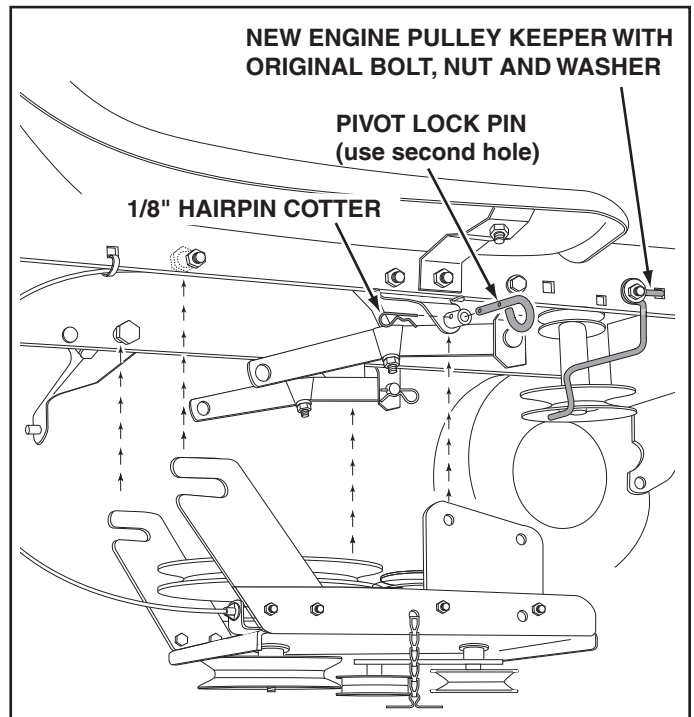
**FIGURE 38**

**STEP 39: (SEE FIGURE 39)**

- Remove the engine pulley keeper from the side of the tractor frame by removing the washer and nut that secure the keeper. Attach the new pulley keeper supplied with the snow thrower, reusing the original bolt, washer and nut.

**NOTE:** Some tractors may already be equipped with a pulley keeper that is identical to the new one supplied.

- Attach the clutch/idler assembly to the tractor frame as follows. Hook the rear of the assembly onto the two shoulder bolts you installed on the tractor frame. Lift the front of the assembly and attach it to the hanger brackets you installed using two pivot lock pins and 1/8" hairpin cotters.



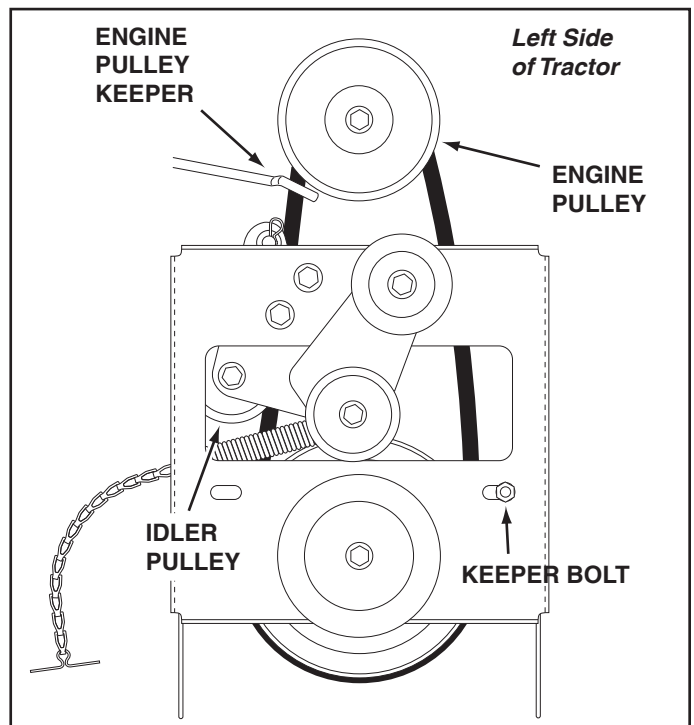
**FIGURE 39**

**STEP 40: (SEE FIGURE 40)**

- Assemble the short "V" belt onto the engine pulley and then onto the large pulley on top of the clutch/idler assembly. The belt must be placed to the inside of the engine pulley keeper, the idler pulley and the keeper bolt located beside the large pulley.

**IMPORTANT: Do Not** assemble the "V" belt around the outside of the engine pulley keeper or the keeper bolt.

- Go to step 48 on page 21.



**FIGURE 40**

**VIEWED FROM UNDERNEATH**

## ELECTRIC ATTACHMENT CLUTCHES

### STEP 41: (SEE FIGURE 41)

- Turn the clutch idler assembly upside down.
- Hook the long end of the spring onto the end of the bolt that extends through the nut on the bottom of the upper idler arm. Install a 3/8" hex lock nut onto the bolt, leaving enough space for the spring to pivot.

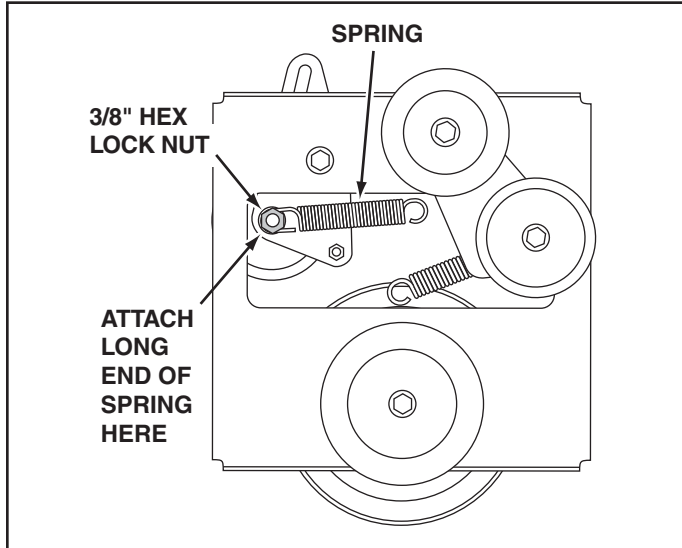


FIGURE 41

### STEP 42: (SEE FIGURE 42)

- Insert tensioning chains through the holes shown and attach to the springs on the upper and lower idler arms.
- Install a 3/32" hairpin cotter in the 5th link of the chain attached to the upper idler arm.
- Install a 3/32" hairpin cotter in the 4th link of the chain attached to the lower idler arm.

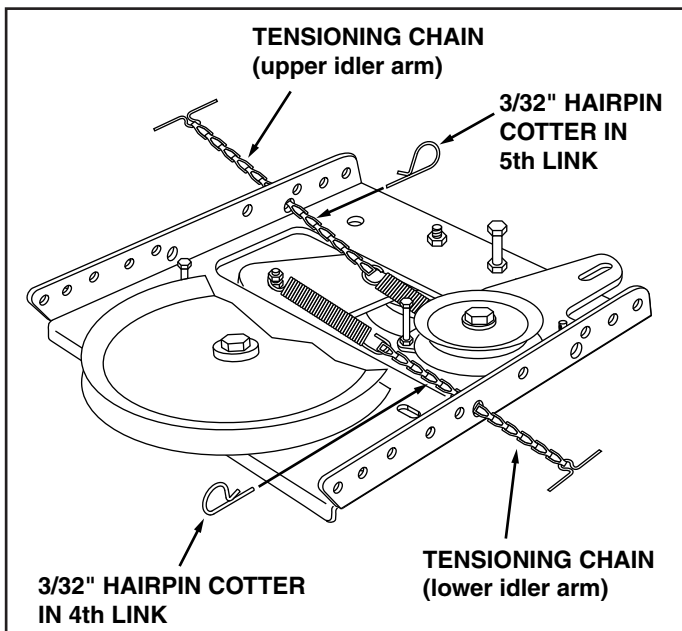


FIGURE 42

### STEP 43: (SEE FIGURE 43)

- Attach the two rear pulley frame brackets to the inside of the clutch/idler assembly using two 5/16" x 1" hex bolts, eight 5/16" washers and two 5/16" nylock nuts for each bracket.
- Attach the two front pulley frame brackets to the inside of the clutch/idler assembly using two 5/16" x 3/4" hex bolts, 5/16" washers and 5/16" nylock nuts for each bracket.

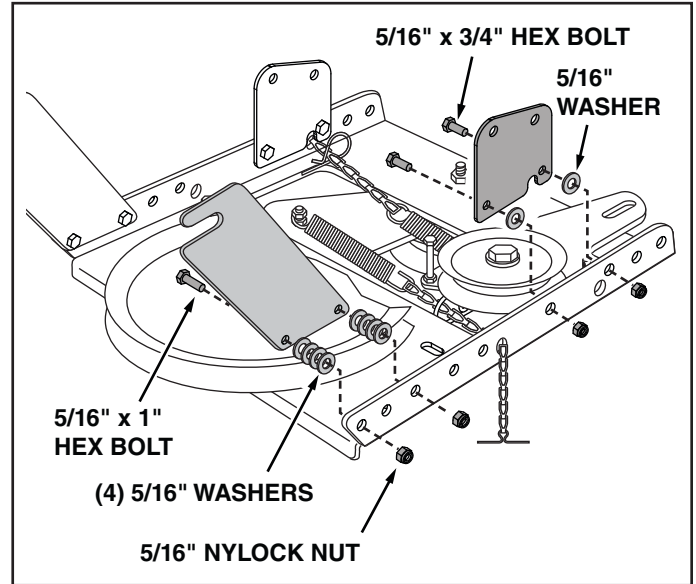


FIGURE 43

VIEW OF BOTTOM

### STEP 44: (SEE TABLE 2)

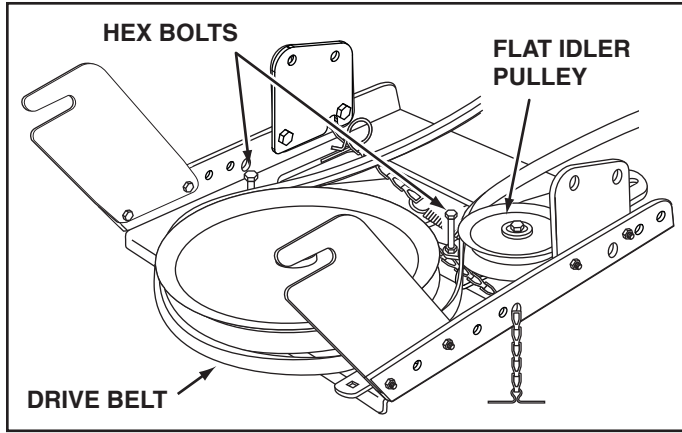
- Two different length drive belts are included with your snow thrower. Use the table below to select the correct drive belt for your type tractor. The part number is printed on the outside of the belt.
- Set aside the belt that is not for your tractor to avoid accidentally using it.

55" BELT (PART #46989)		
TRACTOR TYPE	DECK SIZE	CLUTCH TYPE
(LT) Lawn Tractor	38", 42", 46"	Electric
56" BELT (PART #48138)		
TRACTOR TYPE	DECK SIZE	CLUTCH TYPE
(LT) Lawn Tractor	48"	Electric

TABLE 2

**STEP 45: (SEE FIGURE 44)**

- Turn the clutch/idler assembly right side up.
- Slightly loosen the hex bolt next to the flat idler pulley. Install the drive belt down between the hex bolt and the flat idler pulley with the flat side of the belt against the pulley. Retighten the hex bolt.
- Loop the belt around the large v-pulley, placing it between the v-pulley and the hex bolt next to the pulley.

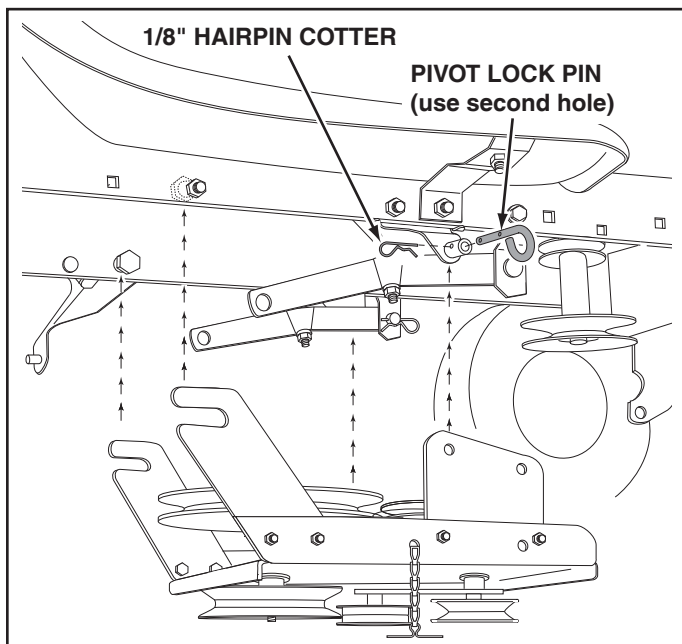


**FIGURE 44**

**STOP** Did you choose the correct drive belt for your tractor? Using the wrong length belt may cause premature bearing or belt failure.

**STEP 46: (SEE FIGURE 45)**

- Attach the clutch/idler assembly to the tractor frame as follows. Hook the assembly's notched arms onto the two shoulder bolts you assembled to the inside of the tractor frame. Lift the front of the assembly and attach it to the R.H. and L.H. hanger brackets using two pivot lock pins and 1/8" hairpin cotters.



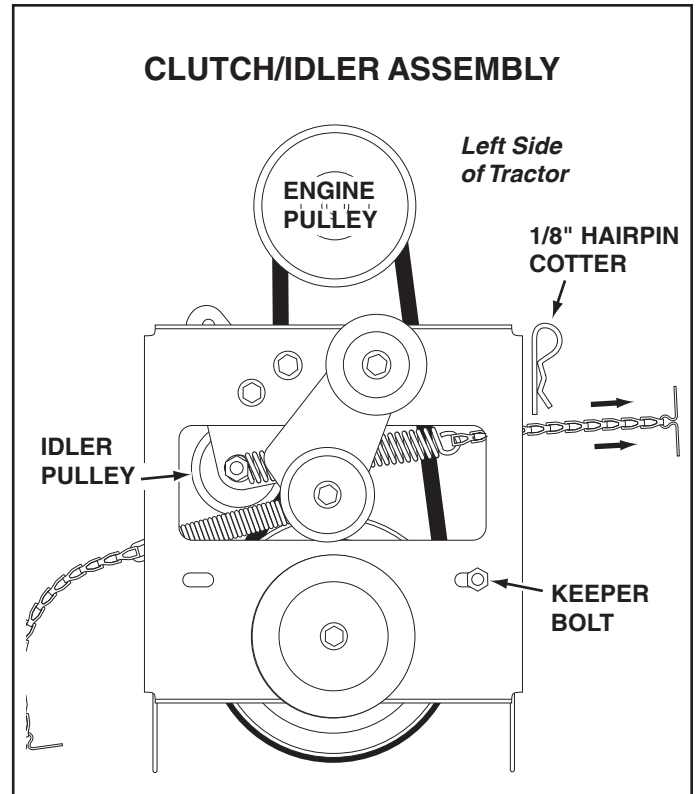
**FIGURE 45**

**RIGHT SIDE VIEW**

**STEP 47: (SEE FIGURE 46)**

- Assemble the drive belt onto the engine pulley and then onto the large pulley on top of the clutch/idler assembly. The belt must be placed to the inside of the idler pulley and the keeper bolt located beside the large pulley.
- Place tension on the belt by pulling the left side tensioning chain out as far as the 3/32" hairpin cotter will allow. Secure the chain in this position by inserting a 1/8" hairpin cotter through the chain.

**IMPORTANT: Do Not** assemble the "V" belt around the outside of the engine pulley keeper or the keeper bolt.



**FIGURE 46**

**VIEWED FROM UNDERNEATH**

## ASSEMBLY OF THE SNOW THROWER

### STEP 48: (SEE FIGURE 47)

- Place the lift handle into the lift bracket on the right side of the snow thrower. Fasten the handle to the bracket using two 5/16" x 1-3/4" hex bolts and 5/16" Nylock nuts.

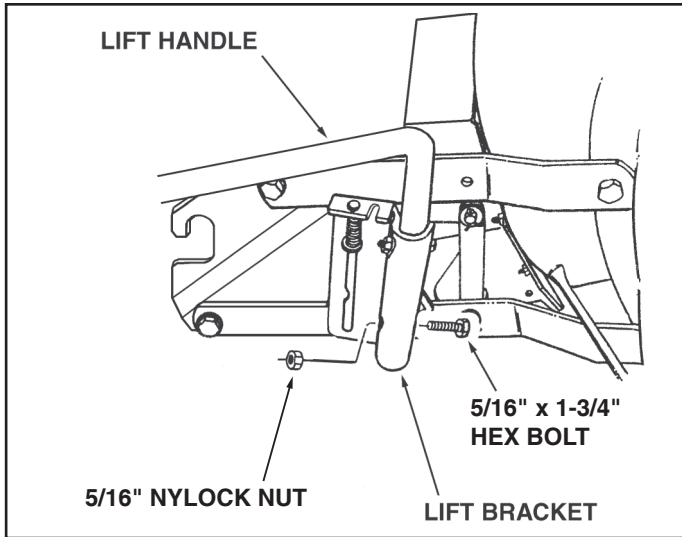


FIGURE 47 RIGHT SIDE VIEW

**NOTE:** Be sure the lift release cable's plastic covering stays inserted into the trigger assembly for the next step.

### STEP 49: (SEE FIGURE 48)

- Push the lift handle down into the locked position. Insert the end of the cable wire into the hole in the lift rod. Place the threaded fitting into the slot in the lift bracket, with one hex nut above and one hex nut and the lock washer below the slot. Tighten the nuts, adjusting them to eliminate slack in the cable wire. Refer also to the Service and Adjustments section on page 27 in this manual.

**HINT:** For easier assembly of the lift release cable, tilt the snow thrower forward onto the spiral auger.

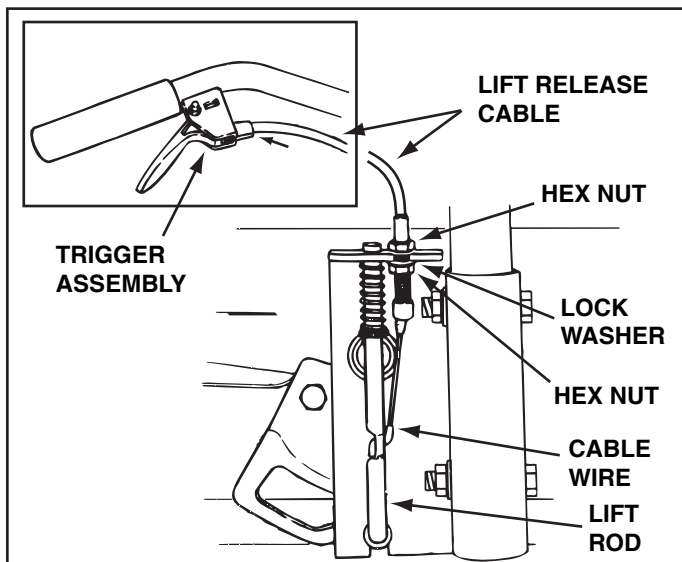


FIGURE 48 RIGHT SIDE VIEW

### STEP 50: (SEE FIGURE 49)

- Tilt the snow thrower back down to the ground.
- Remove the nylon tie which fastens the auger drive belt to the discharge housing, leaving the belt assembled around the pulleys.
- Remove the nylon tie which fastens the chute crank rod to the crank rod support tube.
- Assemble the crank rod support tube to the bracket on the left side of the discharge housing using two 5/16" x 1-1/4" carriage bolts, and 5/16" Nylock nuts.

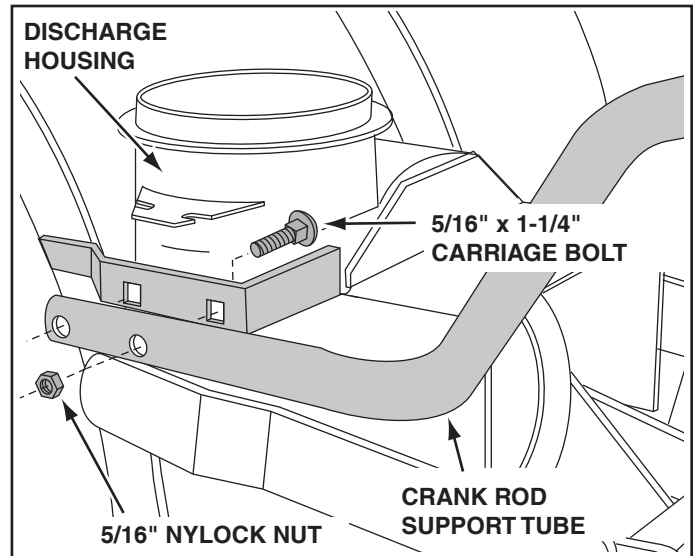


FIGURE 49 LEFT SIDE VIEW

### STEP 51: (SEE FIGURE 50)

- Install the plug into the end of the crank support tube.
- Attach the chute tilt control assembly to the top side of the crank rod support tube using two 5/16" x 1-3/4" carriage bolts, bowed washers and 5/16" nylock nuts.

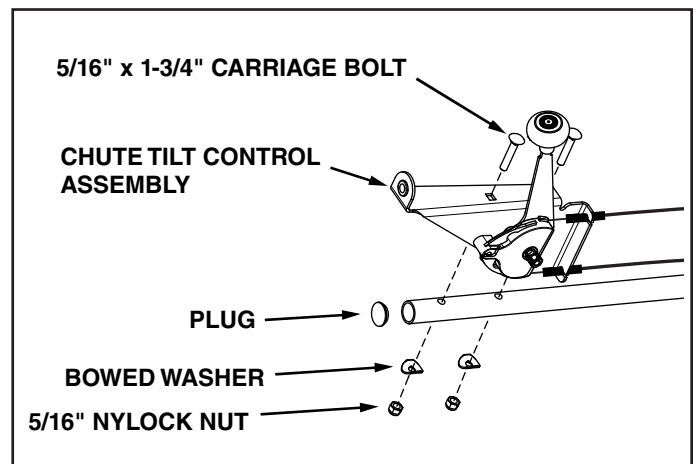
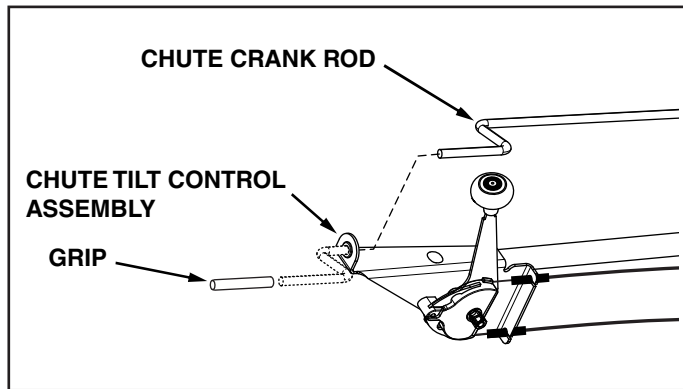


FIGURE 50



**STEP 52: (SEE FIGURE 51)**

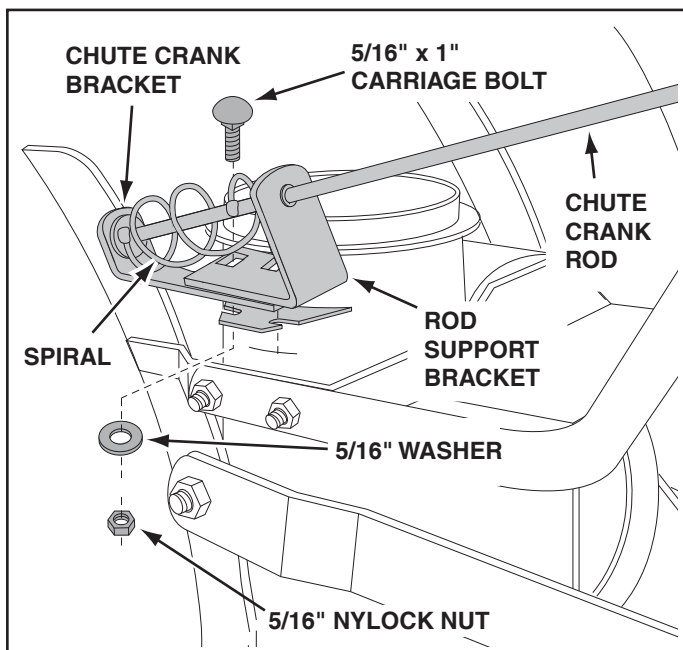
- Install the chute crank rod into the plastic bushing in the chute tilt control assembly.
- Install the grip onto the chute crank rod.



**FIGURE 51** **RIGHT SIDE VIEW**

**STEP 53: (SEE FIGURE 52)**

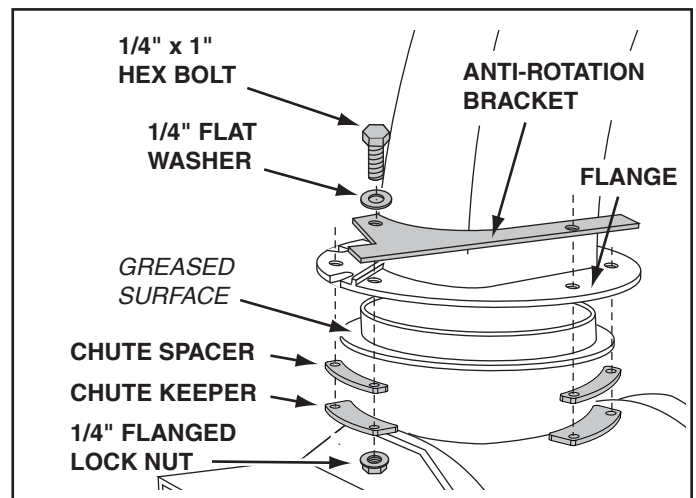
- Attach the chute crank rod assembly brackets to the plastic bracket on the left side of the discharge housing. Align the chute crank bracket beneath the rod support bracket and assemble both to the plastic bracket using two 5/16" x 1" carriage bolts, 5/16" washers and 5/16" Nylock nuts. **Do not tighten yet.**



**FIGURE 52** **LEFT SIDE VIEW**

**STEP 54: (SEE FIGURE 53)**

- Coat the top of the ring around the discharge opening with general purpose grease.
- Place the discharge chute (facing forward) onto the ring. Place the anti-rotation bracket on top of the chute flange, aligning it with the holes on the right hand side of the flange. Attach the three chute spacers and chute keepers to the bottom of the flange using six 1/4" x 1" hex bolts, 1/4" flat washers and 1/4" flanged lock nuts. **Tighten carefully** so that the nuts are snug but do not dig into the plastic chute keepers.
- Position the crank rod spiral (see figure 51) so that it does not rub against the bottoms of the notches in the chute flange. **Tighten** the nuts.
- Turn the crank rod to check if the chute rotates freely. If not, loosen the bolts and nuts that attach the chute to the flange by 1/4 turn each.
- Secure the control cables to the crank rod support tube using a nylon tie.



**FIGURE 53** **RIGHT SIDE VIEW**

## ATTACHING SNOW THROWER TO TRACTOR

### STEP 55: (SEE FIGURE 54)

- Place the snow thrower on a flat, level surface.
- Extend the auger belt out behind the snow thrower, keeping the belt assembled to the snow thrower pulleys.
- Roll the tractor up behind the snow thrower, centering it between the snow thrower's mounting plates.
- Raise the rear of the snow thrower by lifting up on the lift handle until the notches in the mounting plates align with the shoulder bolts in the tractor's side plates. Guide the bolts into the notches.
- Delay installing the clevis pins until you have assembled the belt as instructed in steps 56 and 57.

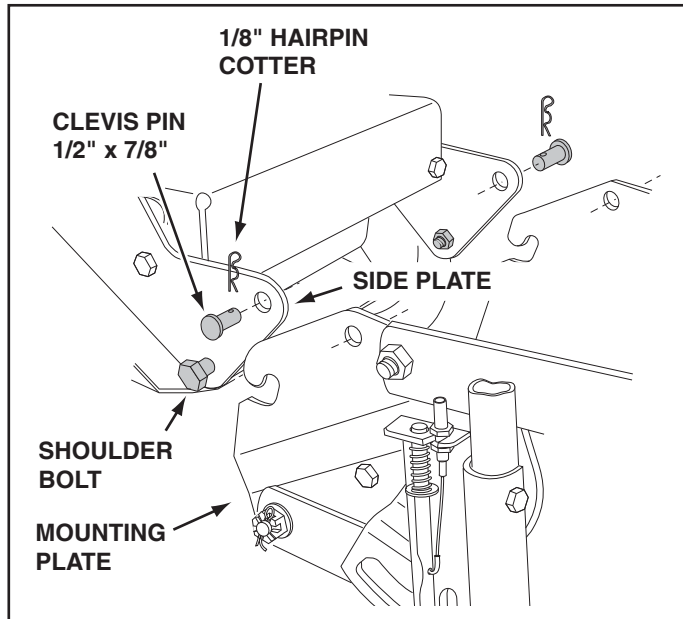


FIGURE 54 RIGHT SIDE VIEW

### STEP 56: (SEE FIGURE 55)

- The auger belt comes pre-assembled to the pulleys on the snow thrower housing. Make sure the belt passes over the top of the auger pulley and then twists 1/4 turn to pass underneath each side idler pulley. The "V" side of the belt must mate with the grooves of the pulleys.

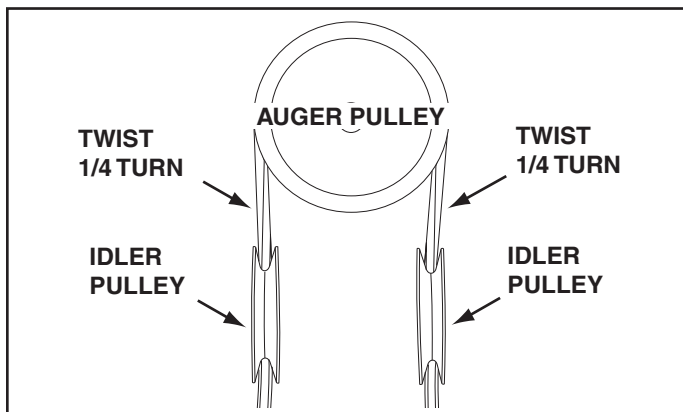


FIGURE 55

### STEP 57: (SEE FIGURE 56)

- Push the lift handle down to increase slack in the belt.
- Swing the lower idler arm over to the left side.
- Slightly loosen the belt keeper bolts located beside the idler arm V-pulley and the rear V-pulley.
- Place the auger belt around the rear V-pulley and between the two pulleys on the idler arm. The "V" side of the belt must be seated in the grooves of the V-pulleys.
- Retighten the two keeper bolts.

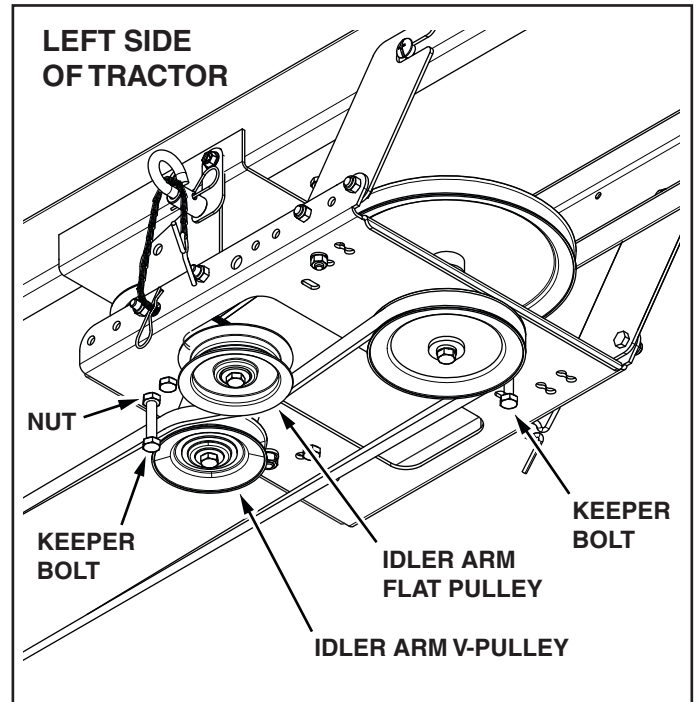
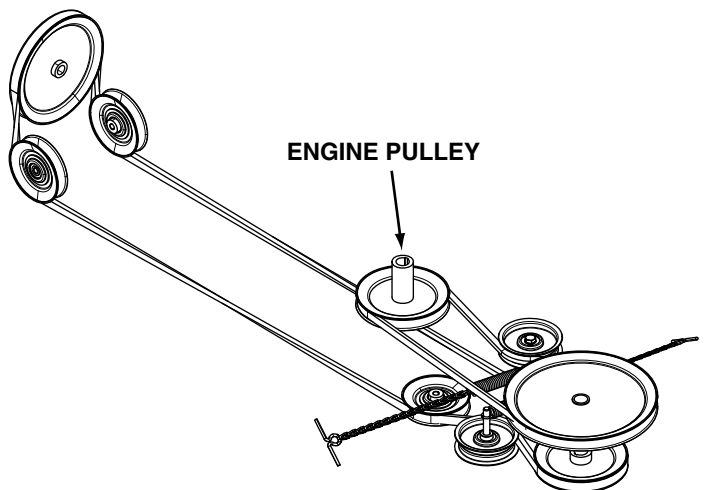


FIGURE 56 VIEWED FROM UNDERNEATH

## BELT ROUTING DIAGRAM



## SETTING THE AUGER BELT TENSION

### STEP 58: (SEE FIGURE 57)

- Pull the tensioning chain until it is extended out as far as the 3/32" hairpin cotter installed in the chain will allow. Install a 1/8" hairpin cotter through the chain to secure it in the extended position.

**NOTE:** After pulling the chain out, check to make sure the belt does not rub against the keeper bolts. If the belt rubs, slightly loosen the bolts, move them as far from the pulleys as possible, and retighten.

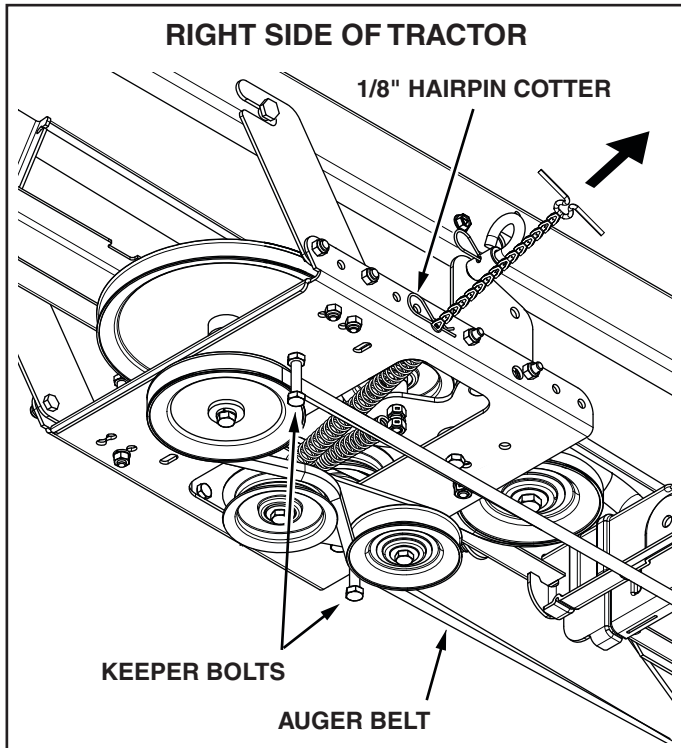


FIGURE 57 VIEWED FROM UNDERNEATH

## SETTING THE SNOW THROWER LIFT HEIGHT

### STEP 59: (SEE FIGURE 58)

- Adjust the nut on the lift link found on each side of the snow thrower, so that the auger housing is level when raised, and the scraper plate has approximately 3" to 4" of ground clearance.

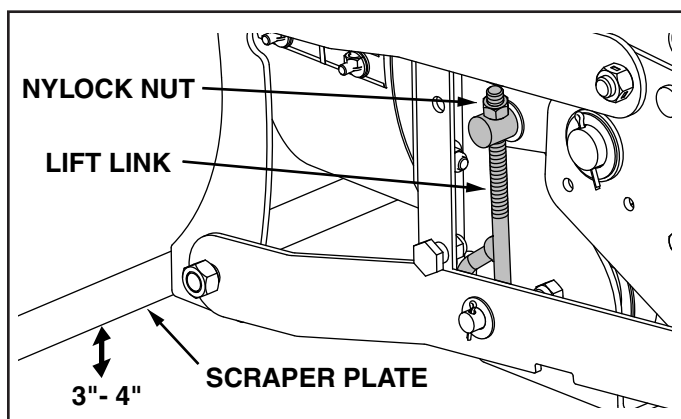


FIGURE 58 VIEWED FROM LEFT SIDE

## ATTACH REFLECTORS TO REAR FENDER

### STEP 60: (SEE FIGURE 59)

- If your tractor is not equipped with rear reflectors, assemble the supplied rear reflectors to the rear fender. Place the reflectors as close to the bottom of the fender and as far apart as the shape of the fender will allow.

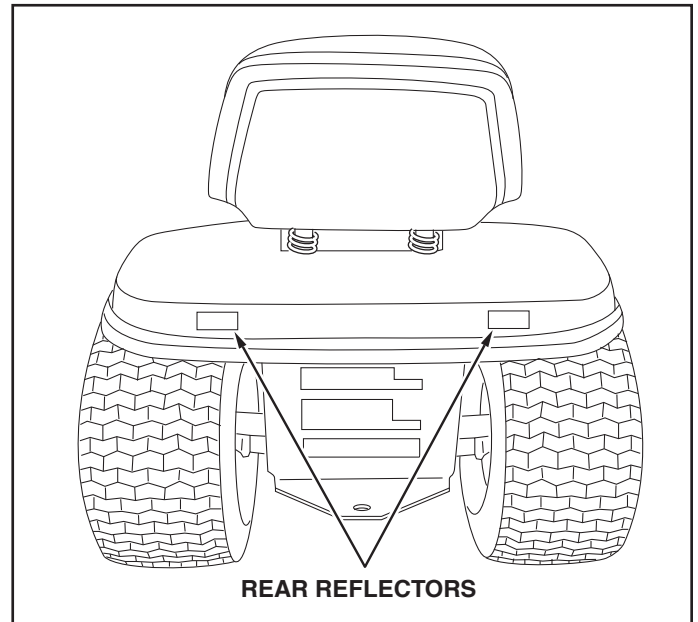


FIGURE 59

## CHECKLIST

Before you operate your snow thrower, please review the following checklist to help ensure that you will obtain the best performance from your snow thrower.

1. All assembly instructions have been completed with all bolts and nuts properly tightened.
2. Check the engine belt and the auger belt. Make sure they are routed properly around pulleys and inside all belt keepers.
3. Check discharge chute for proper rotation.
4. Check operation of tilt control for upper chute.
5. Verify that the lift handle will lock into and release from the raised transport position. (Refer to the Service and Adjustments section.)
6. Check skid shoe adjustment. (Refer to the Service and Adjustments section.)

Operating instructions begin on page 25.

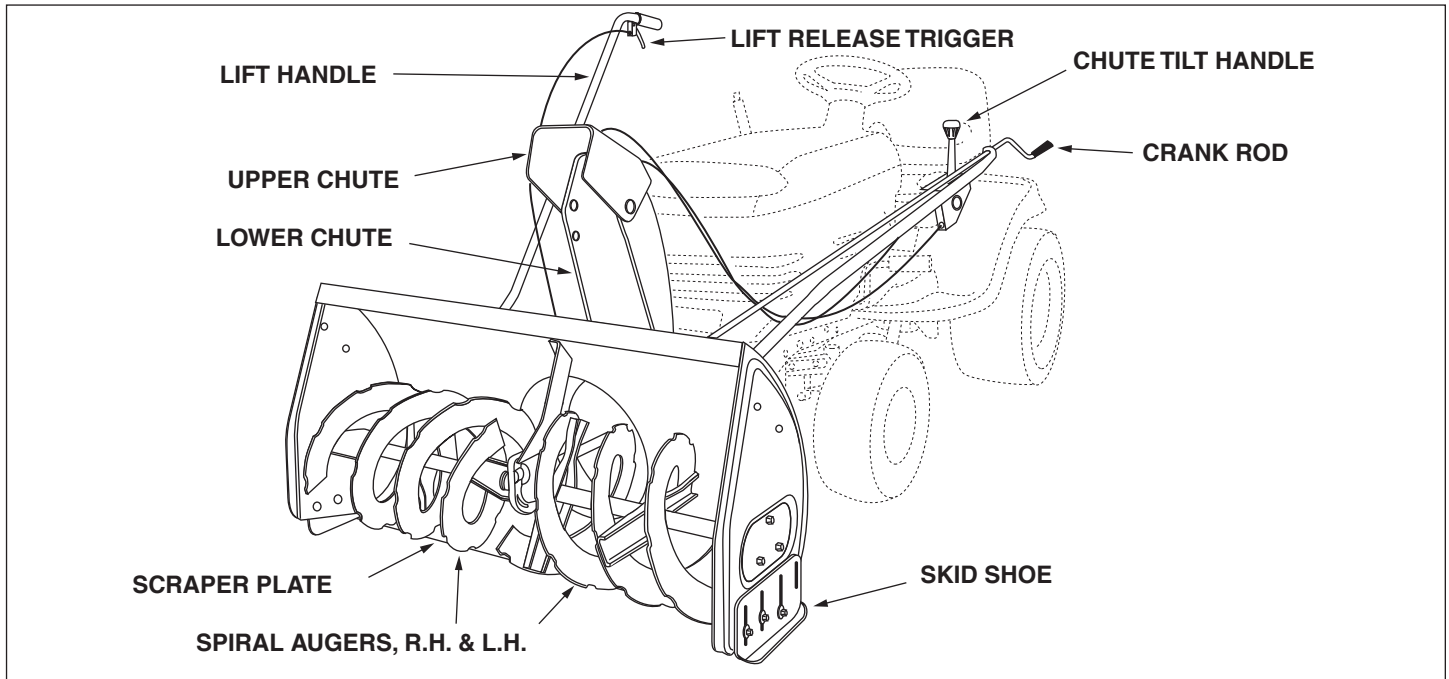


# OPERATION

## KNOW YOUR SNOW THROWER

Read this owner's manual and safety rules before operating your snow thrower.

Compare the illustration below with your snow thrower to familiarize yourself with the various controls and their locations.



**CHUTE TILT HANDLE** Pivots the Upper Chute up or down to control the angle and distance of discharge.

**CRANK ROD** Rotates the Lower and Upper Chutes to control the direction of discharge.

**LIFT HANDLE** Used to lift or lower the snow thrower to transport or operating position.

**LIFT RELEASE TRIGGER** Releases the lock which holds the snow thrower in the transport position

**UPPER AND LOWER DISCHARGE CHUTE** Controls direction and height of snow discharge.

**SCRAPER PLATE** Replaceable plate that absorbs wear and impact from contact with ground.

**SKID SHOE** Controls amount of clearance between the scraper plate and the ground.

**SPIRAL AUGER, R.H. & L.H.** Feed snow to the impeller fan at the center of the housing.

## BEFORE STARTING

- Use the end of assembly checklist to verify that all instructions have been properly completed.
- Make sure the skid shoes are adjusted to maintain adequate ground clearance between the snow thrower and the type of surface to be cleared. (Refer to the Service and Adjustments section.)
- Make sure the tractor engine has the correct oil for winter operation (SAE 5W-30). Refer to tractor owner's manual.

## HOW TO START YOUR SNOW THROWER

- The tractor should be sitting with the engine running at full throttle. Move the attachment clutch to the engaged position, starting the snow thrower before the tractor clutch is engaged.

## HOW TO STOP YOUR SNOW THROWER

- To stop the snow thrower, disengage the tractor's attachment clutch lever for manual clutches or the clutch switch for electric clutches. Refer to your tractor owner's manual.

## HOW TO USE YOUR SNOW THROWER



**CAUTION:** Never direct discharge towards bystanders or windows. Do not allow anyone in front of unit.

## CONTROLLING SNOW DISCHARGE

- To control the direction snow is thrown, the discharge chute has 180 degrees of rotation. Turn the crank rod clockwise to rotate the chute to the left. Turn the crank rod counterclockwise to rotate the chute to the right.
- To control the distance snow is thrown, the upper section of the discharge chute pivots up and down. Push forward on the chute tilt handle to pivot the chute down, decreasing the distance snow is thrown. Pull back on the handle to pivot the chute up, increasing the distance snow is thrown.

**RAISING AND LOWERING**

- To raise, push down on the lift handle until the snow thrower locks in the raised transport position.
- To lower, push down slightly on the lift handle and pull the trigger. With the trigger pulled, slowly lower the snow thrower until it reaches the ground.



**CAUTION:** Do not operate the snow thrower without the rear weight attached to the tractor to provide extra traction and stability.

**REMOVING SNOW**

Snow removal conditions vary greatly from light fluffy snowfall to wet heavy snow. Operating instructions must be flexible to fit the conditions encountered. The operator must adapt the lawn tractor and snow thrower to depth of snow, wind direction, temperature and surface conditions.

- Before beginning operation, thoroughly inspect the area of operation and remove all door mats, sleds, boards, wires and other foreign objects.
- The spiral auger speed is directly related to engine speed. For maximum snow removal and discharge, maintain high engine r.p.m. (full throttle). It is advisable to operate the lawn tractor at a slow ground speed (1st gear) for safe and efficient snow removal.
- In deep, drifted or banked snow it will be necessary to use full throttle and a slow ground speed (1st gear). Drive forward into the snow, depress the tractor's clutch-brake pedal and allow the spiral auger to clear the snow. Repeat this method until a path is cleared. On the second pass, overlap the first enough to allow the snow thrower to handle the snow without repeated stopping and starting of forward motion.

- In extremely deep snow, raise the snow thrower from the ground to remove the top layer and drive forward only until the tractor's front tires reach the uncleared bottom layer of snow. Depress the tractor's clutch-brake pedal and allow the spiral auger to clear the snow. Reverse the tractor and lower the snow thrower to the ground. Drive the tractor forward until the snow again becomes too deep. Repeating this process into and out of drifts will eventually clear even the deepest of snow piles.
- If the snow thrower becomes clogged with snow or jammed with a foreign object, disengage the snow thrower immediately and shut off the tractor engine. Unclog the snow thrower before resuming operation.



**DANGER:** Shut off engine and disengage snow thrower before unclogging discharge chute. Unclog using a wooden stick, not your hands.

**OPERATING TIPS**

- Discharge snow down wind whenever possible.
- To help prevent snow from sticking to the snow thrower, allow the snow thrower to reach outdoor temperature before using it. A light coat of wax may also be applied to the inside surface of the snow thrower housing and discharge chute.
- Use tire chains to improve traction.
- Use rear wheel weights to improve traction.
- Before the first snowfall, remove all stones, sticks and other objects which could become hidden by the snow. Permanent obstacles should be marked for visibility.
- Overlap each pass slightly to assure complete snow removal.

**MAINTENANCE**

**CUSTOMER RESPONSIBILITIES**

- Read and follow the maintenance schedule and the maintenance procedures listed in this section.

MAINTENANCE SCHEDULE Fill in dates as you complete regular service.	Service Dates											
	Before each use	After each use	Every season	Before storage								
Check for loose fasteners	X											
Check scraper and shoes for wear	X			X								
Cleaning				X								
Lubrication Section			X									

**LUBRICATION**

- Oil all pivot points on the snow thrower.
- Oil the pivot points of the two idler arms on the clutch/idler assembly.
- Apply penetrating oil to the control cables of the discharge chute.
- Apply a good grade of spray lubricant to the trigger assembly and the chute tilt control assembly.

**CHECK SCRAPER AND SHOES FOR WEAR**  
(Refer to figures 60 and 61 on page 27)

- The scraper plate and skid shoes on the bottom of the snow thrower are subject to wear. To prevent damage to the spiral auger housing, replace plate and shoes before wear is excessive.

# SERVICE AND ADJUSTMENTS



**CAUTION:** Before servicing or adjusting the snow thrower, shut off the engine, remove the spark plug wire(s), set the parking brake and remove the key from the tractor ignition.

## REPLACING AUGER BELT

- Disengage the tractor's attachment clutch.
- Lower the snow thrower to the ground.
- Remove the clevis pins. See figure 54 on page 23.
- Lock the snow thrower's lift handle in the down position to decrease belt tension.
- Release the spring tension from the auger belt idler arm on the bottom of the clutch/idler assembly.
- Remove the auger drive belt from the clutch/idler assembly and from the spiral auger housing.
- Install new belt over top of large auger drive pulley and under the two side idler pulleys. Twist the belt 1/4 turn to seat the "V" of the belt in the groove of each idler pulley. Refer to figure 55 on page 23.
- Assemble the belt onto the clutch/idler assembly.

## SKID SHOE ADJUSTMENT

- The skid shoes are mounted on each side of the spiral auger housing. They regulate the distance the scraper plate is raised above the plowing surface. When removing snow from a gravel driveway or an uneven surface, it is advisable to keep the scraper plate as high above the surface as possible to prevent possible damage to the spiral auger. On blacktop or concrete surface, keep the scraper plate as close to the surface as possible.
- Raise the snow thrower off the ground and place a block under each end of the scraper plate. Loosen the six hex nuts securing the skid shoes to the housing. Adjust the skid shoes up or down and retighten the nuts securely. Adjust both skid shoes to the same height to keep the housing and the scraper plate level. See figure 60.

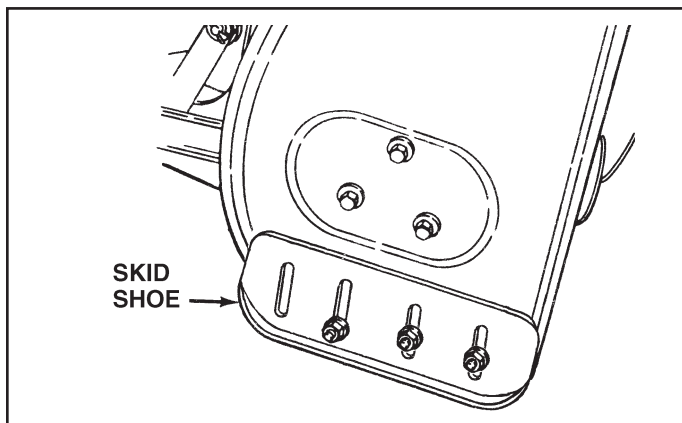


FIGURE 60

## LIFT RELEASE CABLE ADJUSTMENT

- If the lift rod does not lock the snow thrower securely in the transport position, loosen the upper hex nut on the lift bracket a few turns and tighten the lower hex nut. Refer to figure 48 on page 21.
- If the lift rod fails to unlock completely to lower the snow thrower, loosen the lower hex nut on the lift bracket a few turns and tighten the upper hex nut. Refer to figure 48 on page 21.

## CLUTCH DISENGAGEMENT ADJUSTMENT (For tractors with engagement rod clutches only. Not for electric clutches or cable clutches)

If the spiral auger on the snow thrower does not stop when the attachment clutch lever on the tractor is disengaged, then adjustment is necessary. Proceed as follows. Refer back to figure 33 on page 16.

- Place the attachment clutch lever in the disengaged position.
  - Remove the hairpin cotter from the engagement rod trunnion and lift the trunnion out of the hole in the idler arm.
  - Screw the trunnion a few turns towards the front end of the rod.
  - Replace the trunnion into the hole in the idler arm and secure it with the hairpin cotter.
- Check the operation of the snow thrower. If the spiral augers still do not stop, repeat the above steps until the augers stop when the attachment clutch lever is placed in the disengaged position.

## SPIRAL AUGERS

- The spiral augers are secured to the auger shaft with two shear bolts and nylock nuts. If you hit a foreign object or if ice jams the augers, the snow thrower is designed so that the bolts will shear.
- If the augers will not turn, check to see if the shear bolts have sheared. See figure 61. Two replacement shear bolts and nylock nuts have been provided with the snow thrower. For future use order part number 42489 shear bolt and number 47810 nylock nut.

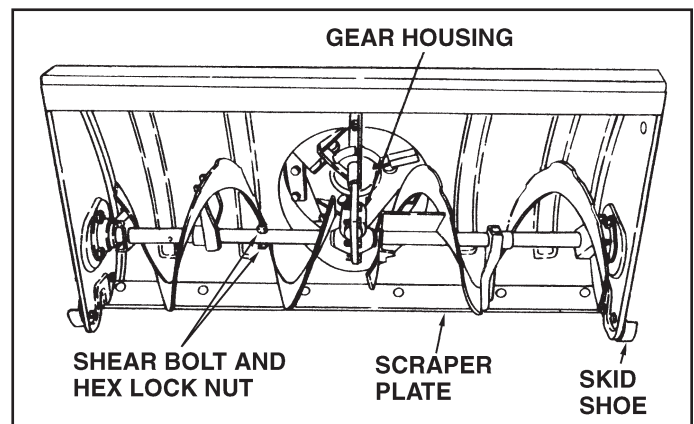


FIGURE 61

## ADJUSTING LIFT HEIGHT, LEVELING

The snow thrower is equipped with two threaded lift links for adjusting the lift height and leveling of the snow thrower in the raised position.

### TO ADJUST THE LIFT HEIGHT:

- Raise the snow thrower to the highest position.
- Check the clearance between the rear of the idler bracket (item 39, page 30) and the lift shaft assembly (item 1, page 32). A minimum 1/16" clearance in the raised position is necessary to avoid possible damage to the lift system.
- To increase the lift height, tighten the nuts on the top of both lift links equally until 3" to 4" of ground clearance is obtained. The maximum clearance is approximately 4 inches for GT tractors and 3 inches for YT tractors. Refer to figure 58 on page 24.

### TO LEVEL WHEN RAISED:

- To keep the snow thrower level in the raised position, loosen the nut on the top of the lift link on the high side of the snow thrower until the snow thrower is approximately level. It is not critical that the snow thrower be exactly level in the raised position, it will level out when it is lowered to the ground.

## STORAGE

### STORAGE RECOMMENDATIONS

- Lower the snow thrower to the ground.
- Remove the snow thrower from the tractor.
- Clean the snow thrower thoroughly. Wash off any salt deposit which may have dried on the thrower and housing.
- Any bare metal that has become exposed should be painted or coated with a light oil to prevent rust.
- Store in a dry place.

### REMOVING THE SPIRAL AUGER HOUSING

- Lower the snow thrower to the ground.
- Remove the clevis pins. See figure 54 on page 23.
- Lock the snow thrower's lift handle in the down position to decrease belt tension.
- Release the spring tension from the auger belt idler arm on the bottom of the clutch/idler assembly.
- Remove the auger drive belt from the clutch/idler assembly. See figure 56 on page 23.
- Pull the spiral auger housing assembly off of the tractor.

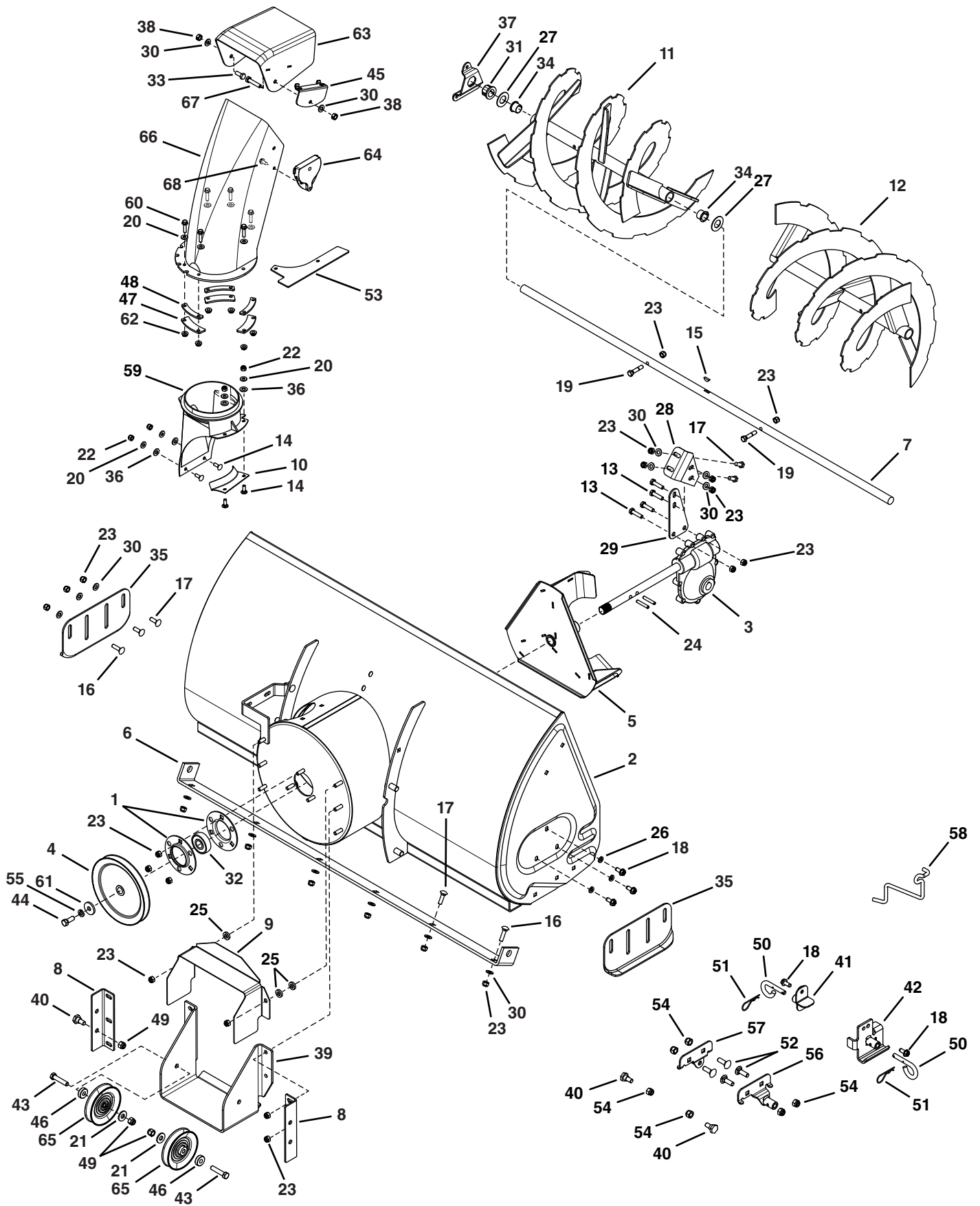
### PARTS TO REMOVE AT END OF SEASON

- Remove the clutch/idler assembly. (The two hanger brackets and the two shoulder bolts may be left attached to the tractor frame.)
- Remove the drive belt from the engine pulley.
- If you replaced the engine pulley keeper on a manual attachment clutch tractor, reinstall the tractor's original engine pulley keeper. See figure 33 on page 16 or figure 39 on page 18.
- If you have a rod operated attachment clutch, remove the engagement rod from the tractor's clutch arm. See figure 29 on page 15.
- If a front mounted attachment is to be used, remove the side plates from the tractor. Be sure to assemble bolts back into the empty holes in the tractor frame.

## TROUBLESHOOTING

PROBLEM	CAUSE	CORRECTION
Spiral augers don't turn	<ol style="list-style-type: none"> <li>1. Upper or lower V belt too loose</li> <li>2. Upper or lower V belt broken</li> <li>3. Shear bolts are sheared.</li> </ol>	<ol style="list-style-type: none"> <li>1. Increase tension on V belt</li> <li>2. Replace V belt</li> <li>3. Replace shear bolts</li> </ol>
Clogged discharge chute	<ol style="list-style-type: none"> <li>1. Tractor ground speed too fast</li> <li>2. Tractor throttle set too low</li> <li>3. Snow too deep</li> <li>4. Snow melts during contact with the snow thrower</li> </ol>	<ol style="list-style-type: none"> <li>1. Use lower tractor gear</li> <li>2. Increase to full throttle</li> <li>3. Raise the snow thrower</li> <li>4. Allow snow thrower to cool to outdoor temperature before using</li> </ol>
Snow thrower stalls tractor engine	<ol style="list-style-type: none"> <li>1. Object jammed in spiral auger</li> <li>2. Hard or heavy snow</li> </ol>	<ol style="list-style-type: none"> <li>1. Stop engine, disengage the snow thrower clutch and clear the auger</li> <li>2. Increase to full throttle and decrease ground speed</li> </ol>
Front wheels slide instead of steering	Not enough traction at front wheels	<ol style="list-style-type: none"> <li>1. Increase scraper plate clearance by lowering skid shoes</li> <li>2. Pull down on lift handle to increase weight on front wheels</li> </ol>
Snow thrower rides up over snow	<ol style="list-style-type: none"> <li>1. Tractor ground speed too fast</li> <li>2. Bottom snow is icy or hard packed</li> </ol>	<ol style="list-style-type: none"> <li>1. Reduce ground speed</li> <li>2. Lower the skid shoes so that front of skid shoe is lower than the rear</li> </ol>

# REPAIR PARTS FOR MODEL LST42G 42" SNOW THROWER

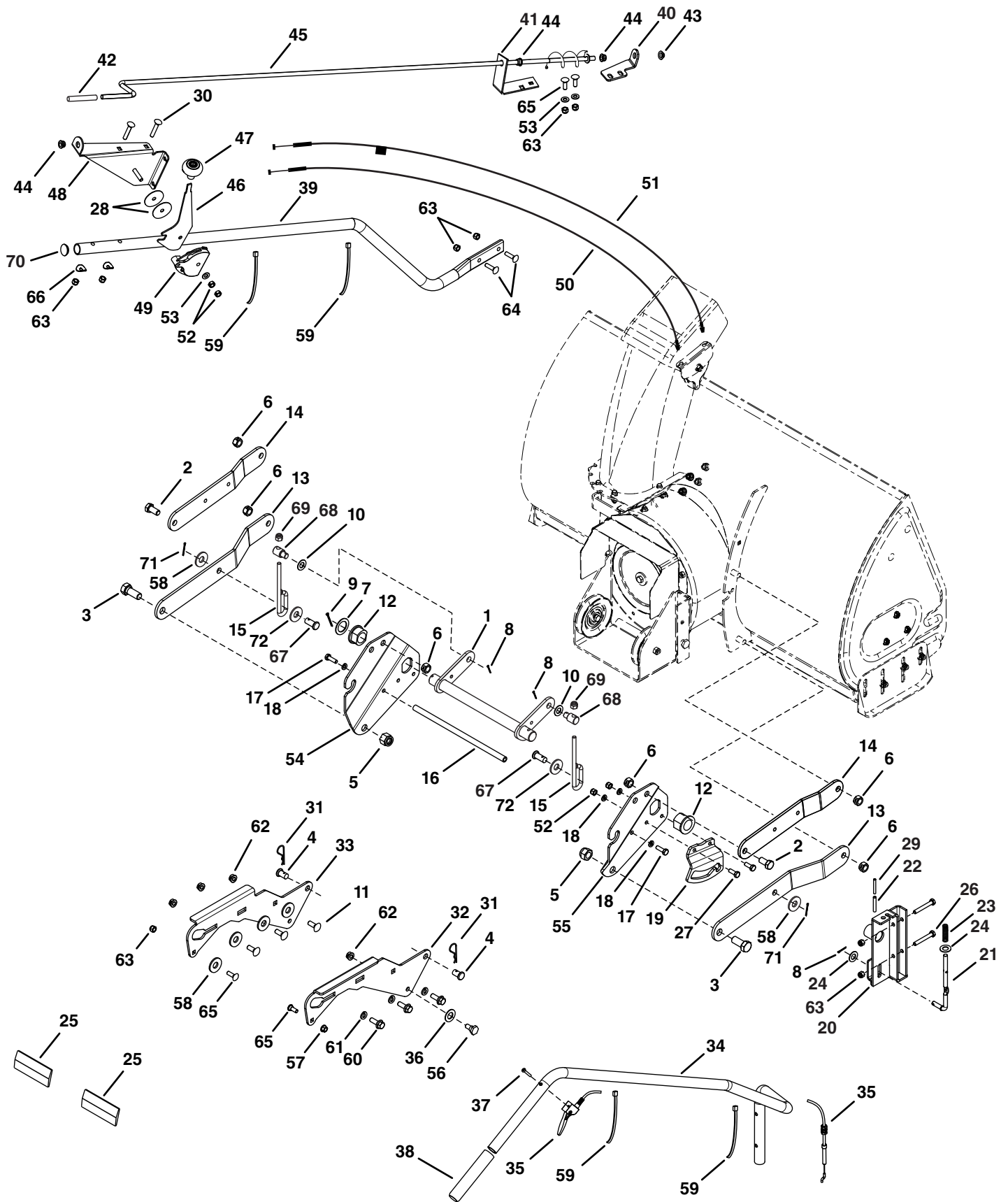




## REPAIR PARTS FOR MODEL LST42G 42" SNOW THROWER

REF	PART NO	QTY	DESCRIPTION	REF	PART NO	QTY	DESCRIPTION
1	28237	2	Flange, Bearing	36	48015	4	Washer, Nylon
2	67629	1	Housing Assembly	37	27458	2	Flange, Bearing
3	71464	1	Gear Assembly	38	43064	2	Hex Lock Nut, 1/4-20 x 20
4	47026	1	Pulley, V Type	39	27502	1	Bracket, Idler
5	67632	1	Impeller Assembly	40	48106	4	Bolt, Shoulder
6	24773	1	Scraper Plate	41	65367	1	Hanger Bracket Assembly, L.H.
7	25982	1	Shaft, Auger Gearbox	42	65450	1	Hanger Bracket Assembly, R.H.
8	27508	2	Bracket, Down Stop	43	41576	2	Hex Bolt, 3/8-16 x 1-3/4"
9	24816	1	Cover, Belt	44	44377	1	Hex Bolt, 3/8-24 x 1"
10	27510	1	Chute Reinforcement	45	27584	1	Bracket, Cable
11	67689	1	Auger Assembly, L.H.	46	42850	2	Spacer
12	67688	1	Auger Assembly, R.H.	47	27809	3	Chute Keeper
13	43063	4	Bolt, Hex 5/16-18 x 1"	48	27810	3	Chute Spacer
14	44950	4	Carriage Bolt, 1/4-20 x 3/4"	49	HA21362	4	Hex Nut, 3/8-16 Nylock
15	HA20185	1	#61 Woodruff Key	50	43038	2	Pin, Pivot Lock
16	44326	4	Carriage Bolt, 5/16-18 x 1" Lg.	51	43343	2	Pin, Hair Cotter #4 (1/8")
17	43080	12	Carriage Bolt, 5/16-18 x 3/4" Lg.	52	43350	4	Carriage Bolt, 3/8-16 x 1"
18	47630	8	Bolt, Self-Tap 5/16" x 3/4"	53	27509	1	Bracket, Chute Anti-rotation
19	42849	2	Bolt, Shear 5/16-18 x 1-1/2"	54	47572	6	Hex Lock Nut, 3/8-16 Flanged
20	43088	10	Washer, 1/4"	55	43003	1	Lock Washer, 3/8"
21	43070	2	Washer, 3/8"	56	64452	1	Hanger Bracket Assembly, R.H.
22	47189	4	Hex Nut, 1/4-20 Nylock	57	64451	1	Hanger Bracket Assembly, L.H.
23	47810	29	Hex Nut, 5/16-18 Nylock	58	47043	1	Keeper, Engine Pulley
24	41625	2	Spiral Pin, 1/4" x 1-1/2" Lg.	59	27505	1	Chute Adapter
25	42846	3	Bushing	60	43661	6	Hex Bolt, 1/4-20 x 1"
26	43086	6	Lock Washer, 5/16"	61	42828	1	Washer,
27	43009	6	Washer, .785" x 1.57" x .057"	62	47598	6	Hex Lock Nut, 1/4" Flanged
28	27915	1	Brace, Gearbox Top	63	41620	1	Chute, Upper
29	27916	1	Brace, Gearbox Lower	64	42834	1	Guide, Cable
30	43081	18	Washer, 5/16" Std. Wrt.	65	47044	2	Pulley, V Type 4"
31	47615	2	Bearing, Flange	66	41621	1	Chute, Lower
32	42844	1	Bearing, Ball	67	43085	1	Hex Bolt, 5/16-18 x 1-1/2"
33	43182	1	Hex Bolt, 5/16-18 x 3/4"	68	41622	1	Screw, 1/4-14 x 5/8"
34	42953	4	Bearing, Split, 3/4"		28156	1	Owner's Manual
35	24279	2	Skid Shoe				

# REPAIR PARTS FOR MODEL LST42G 42" SNOW THROWER

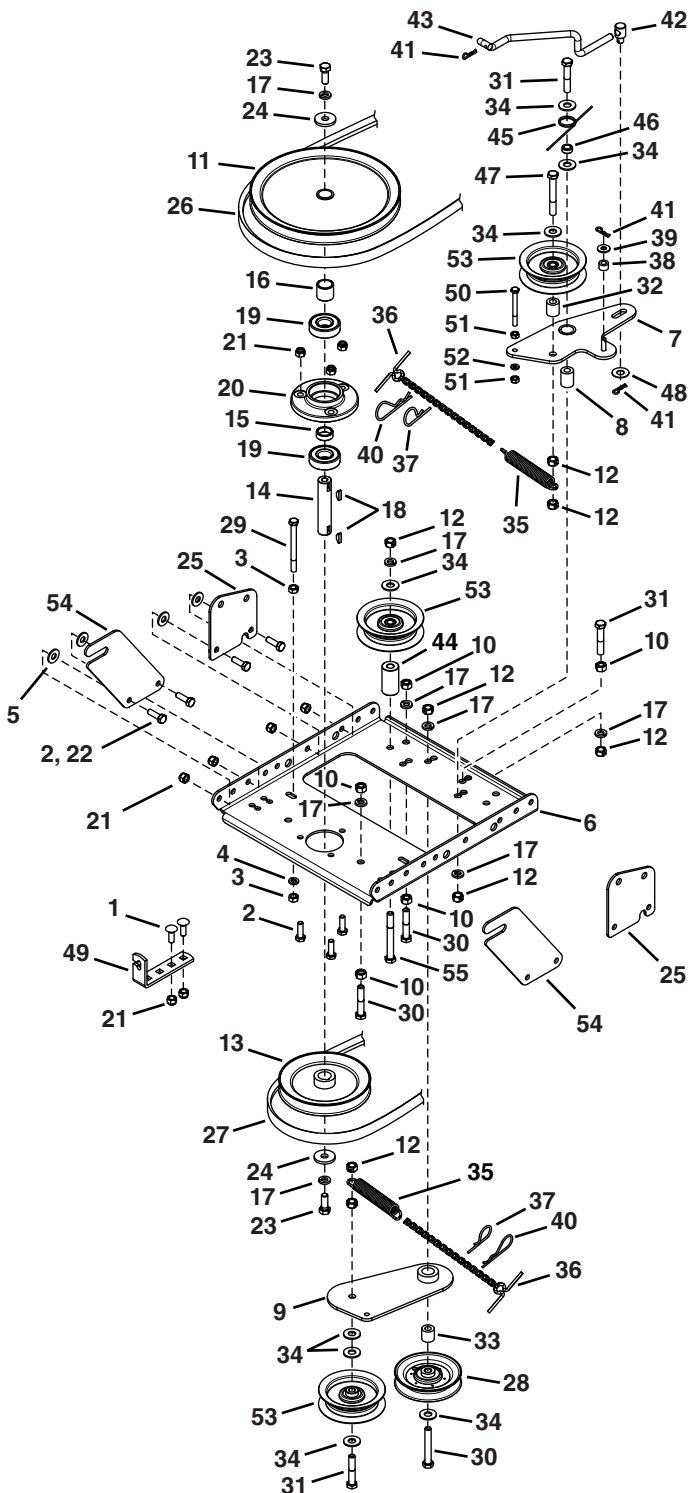




## REPAIR PARTS FOR MODEL LST42G 42" SNOW THROWER

REF	PART NO	QTY	DESCRIPTION	REF	PART NO	QTY	DESCRIPTION
1	68550	1	Lift Shaft Assembly	37	49266	1	Screw, Oval #10-24 x 1-1/2"
2	41616	2	Hex Bolt, 1/2-13 x 1"	38	44482	1	Grip, Handle
3	41614	2	Hex Bolt, 5/8-11 x 1-1/2"	39	27914	1	Tube, Crank Rod Support
4	42842	2	Pin, Clevis 1/2" x 78"	40	24393	1	Bracket, Chute Crank
5	41615	2	Nut, Hex Lock 5/8-11 Thread	41	27708	1	Bracket, Chute Crank
6	43262	6	Nut, Hex Lock 1/2-13	42	HA9822	1	Grip
7	43601	1	Washer, 1.59" x 1.032" x .060"	43	44917	1	Palnut, 3/8"
8	142	3	Pin, Cotter 1/8" x 3/4"	44	42839	3	Bushing, 3/8" Plastic
9	43093	1	Pin, Cotter 1/8" x 1-1/2"	45	68225	1	Assembly, Chute Crank Rod
10	R19171616	2	Washer, 17/32" x 1"	46	27585	1	Handle, Chute Tilt
11	43350	6	Carriage Bolt, 3/8-16 x 1"	47	42833	1	Knob
12	42939	2	Bearing, Flange With Flats	48	68405	1	Assembly, Chute Tilt Bracket
13	27753	2	Link, 15.80" Long	49	42834	1	Guide, Cable
14	27752	2	Link, 11.75" Long	50	42835	1	Cable, Chute Control
15	41807	2	Rod Lift	51	42836	1	Cable, Chute Control with Clip
16	24311	1	Rod, Spacer	52	43064	4	Nut, Hex Lock 5/16-18
17	47599	2	Hex Bolt, 5/16-18 x 1" (Locking)	53	43081	3	Washer, 5/16"
18	43086	4	Lock Washer, 5/16"	54	24285	1	Plate, Mounting (L.H.)
19	24820	1	Bracket, Lift	55	24284	1	Plate, Mounting (R.H.)
20	67784	1	Assembly, Handle Lift Bracket	56	48106	2	Bolt, Shoulder
21	48049	1	Rod, Index Lift	57	46584	1	Nut, Whizlock, 5/16-18
22	47369	1	Pin, Spring 3/16" x 1-3/4"	58	R19172410	10	Washer, 1/2"
23	42955	1	Spring, Compression	59	726-0178	4	Tie, Nylon
24	R19131316	2	Washer, 13/32" x 13/16"	60	47631	6	Hex Bolt, 3/8-16 x 1" Self Tap
25	47788	2	Reflector, Rear	61	43003	6	Lock Washer, 3/8"
26	43084	2	Hex Bolt, 5/16-18 x 1-3/4"	62	47572	8	Nut, Flanged Lock 3/8-16
27	43182	2	Hex Bolt, 5/16-18 x 3/4"	63	47810	10	Nut, Nylock Hex 5/16-18
28	43572	2	Washer, .343" x 1.5" x .059"	64	43682	2	Carriage Bolt, 5/16-18 x 1-1/4"
29	47368	1	Pin, Spring 5/16" x 1-3/4"	65	44326	4	Carriage Bolt, 5/16-18 x 1"
30	44215	2	Carriage Bolt, 5/16-18 x 1-3/4"	66	44695	2	Washer, Bowed
31	43343	2	Pin, Haircotter #4 (1/8")	67	44062	2	Pin, Clevis 1/2" x 1"
32	25678	1	Plate, Side (R.H.)	68	24807	2	Trunnion, Lift
33	25679	1	Plate, Side (L.H.)	69	HA21362	2	Nut, Nylock Hex 3/8-16
34	49916	1	Tube, Lift Handle	70	42991	1	Plug
35	49912	1	Trigger and Lift Cable Assembly	71	43010	2	Pin, Cotter 1/8" x 1-1/4"
36	43070	2	Washer, 3/8"	72	1540-59	2	Washer, .52" x 1.062" x .09"

# REPAIR PARTS FOR MODEL LST42G 42" SNOW THROWER



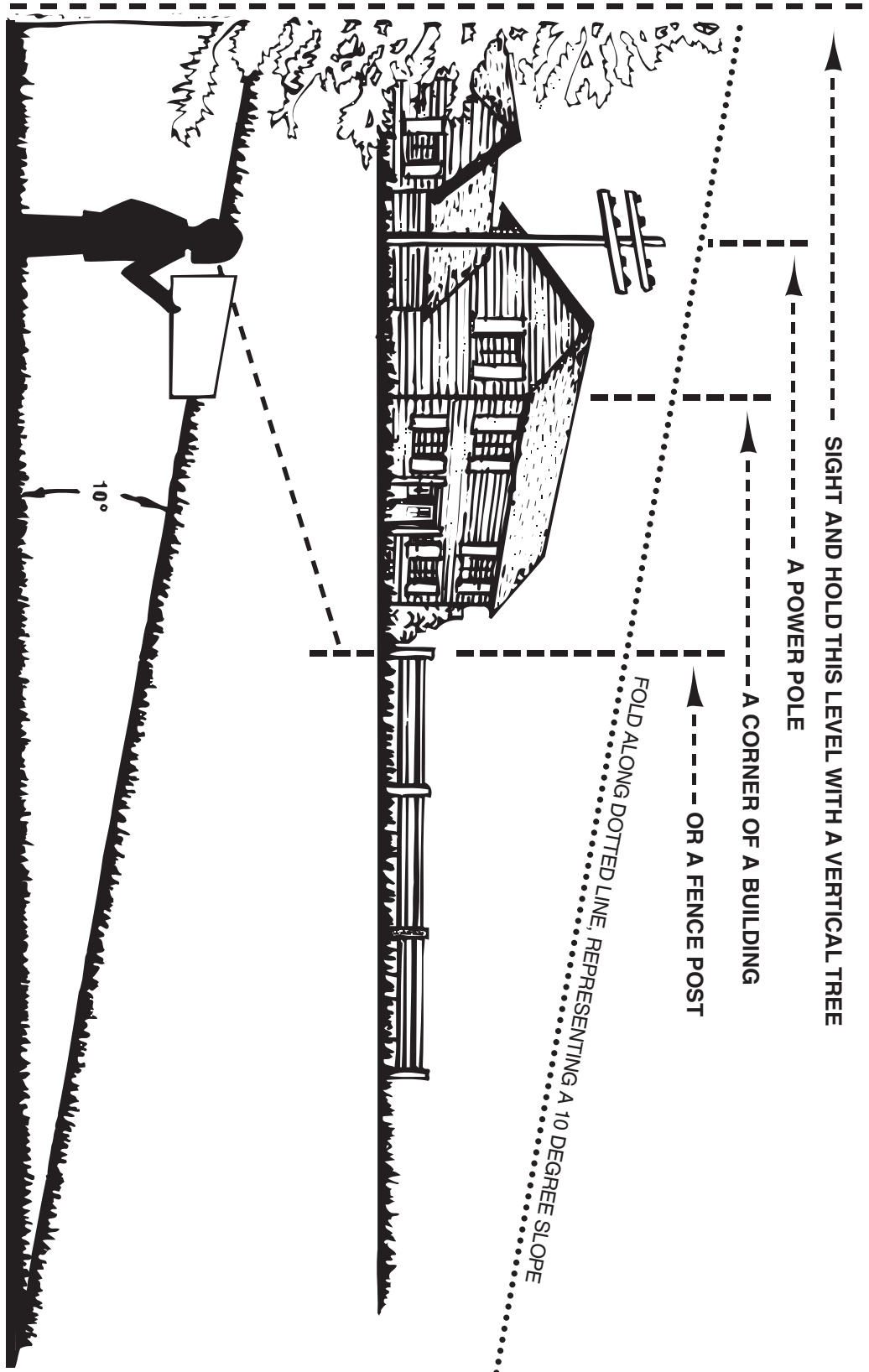
REF	PART NO	QTY	DESCRIPTION
7	63904	1	Idler Arm Assembly
8	24286	1	Spacer, Pivot
9	63762	1	Idler Bracket Assembly
10	43015	5	Hex Nut, 3/8-16
11	46981	1	Pulley, V Type 9"
12	43082	8	Nut, Hex Lock, 3/8-16
13	46982	1	Pulley, V Type 5-1/2"
14	27582	1	Shaft
15	42830	1	Spacer
16	42831	1	Spacer
17	43003	8	Lock Washer, 3/8"
18	42827	2	Key
19	42829	2	Bearing, Ball
20	27781	1	Housing, Bearing
21	47810	13	Hex Nut, 5/16-18 Nylock
22	43182	4	Hex Bolt, 5/16-18 x 3/4"
23	44377	2	Hex Bolt, 3/8-24 x 1"
24	42828	2	Washer
25	27016	2	Front Pulley Frame Bracket
26	46989	1	Belt, V Type Drive (55")
	48138	1	Belt, V Type Drive (56")
27	42992	1	Belt, V Type Auger
28	47044	1	Pulley, V Type 4"
29	47025	1	Hex Bolt, 5/16-18 x 3-1/2"
30	43432	3	Hex Bolt, 3/8-16 x 2-1/2"
31	43054	3	Hex Bolt, 3/8-16 x 2"
32	24571	1	Spacer
33	24472	1	Spacer, Pivot
34	43070	8	Washer, 3/8"
35	46959	2	Spring
36	46963	2	Chain
37	43055	2	Pin, Hair Cotter, 3/32"
38	23727	1	Spacer
39	43088	1	Washer, 1/4"
40	43343	2	Pin, Hair Cotter #4 (1/8")
41	HA3090	2	Pin, Hair Cotter 5/64"
42	42848	1	Trunnion
43	46948	1	Rod, Engagement
44	25780	1	Spacer
45	47607	1	Spring, Torsion
46	23625	1	Spacer
47	43509	1	Hex Bolt, 3/8-16 x 2-3/4" Lg.
48	47605	1	Washer, Flat 3/8"
49	24558	1	Cable Bracket
50	49870	1	Hex Bolt, 1/4-20 x 2-1/2"
51	43178	2	Hex Nut, 1/4-20
52	43177	1	Lock Washer, 1/4"
53	48883	3	Pulley, Flat 3-5/8"
54	25728	2	Rear Pulley Frame Bracket
55	46938	1	Hex Bolt, 3/8-16 x 3-1/4"

REF	PART NO	QTY	DESCRIPTION
1	43080	2	Carriage Bolt, 5/16-18 x 3/4"
2	43063	7	Hex Bolt, 5/16-18 x 1"
3	43083	2	Hex Nut, 5/16-18
4	43086	1	Lock Washer, 5/16"
5	43081	20	Washer, 5/16" Std. Wrt.
6	26943	1	Frame, Clutch and Pulley

# SLOPE GUIDE

(Keep this sheet in a safe place for future reference.)

Use this guide to determine if a slope is safe for the operation of your tractor and snow thrower. Refer also to the instructions in your vehicle owners manual.



  
**CAUTION: DO NOT OPERATE YOUR TRACTOR AND SNOW THROWER ON A SLOPE IN EXCESS OF 10 DEGREES. BE SURE OF YOUR TRACTOR'S TOWING AND BRAKING CAPABILITIES BEFORE OPERATING ON A SLOPE. AVOID ANY SUDDEN TURNS OR MANEUVERS WHILE ON A SLOPE.**

***SpeedEPart*** *the fastest way to purchase parts* [www.speedepart.com](http://www.speedepart.com)

**REPAIR PARTS**

Agri-Fab, Inc.  
809 South Hamilton  
Sullivan, IL. 61951  
217-728-8388  
[www.agri-fab.com](http://www.agri-fab.com)

This document (or manual) is protected under the U.S. Copyright Laws and the copyright laws of foreign countries, pursuant to the Universal Copyright Convention and the Berne convention. No part of this document may be reproduced or transmitted in any form or by any means, electronic or mechanical, including photocopying or recording, or by any information storage or retrieval system, without the express written permission of Agri-Fab, Inc. Unauthorized uses and/or reproductions of this manual will subject such unauthorized user to civil and criminal penalties as provided by the United States Copyright Laws.

© 2003 Agri-Fab, Inc.