



**JOHN DEERE**

# **OPERATOR'S MANUAL**

Full-Size Gator Hitch and Display

LP69908  
Supplier ST50944  
11/18/2020  
English

# Introduction

## Using Your Operator's Manual

Read this entire operator's manual, especially the safety information, before operating.

This manual is an important part of your machine. Keep all manuals in a convenient location so they can be accessed easily.

Use the safety and operating information in the attachment operator's manual, along with the machine operator's manual, to operate and service the attachment safely and correctly.

If your attachment manual has a section called Preparing the Machine, it means that you will have to do something to your tractor or vehicle before you can install the attachment. The Assembly and Installation sections of this manual provide information to assemble and install the attachment to your tractor or vehicle. Use the Service section to make any needed adjustments and routine service to your attachment.

If you have any questions or concerns with the assembly, installation, or operation of this attachment, see your local John Deere dealer or call the John Deere Customer Contact Center at 1-888-867-2238 for assistance.

Warranty information on this John Deere attachment can be found in the warranty statement included in this manual.

## Table of Contents

Introduction	2
Product Compatibility	2
Safety Labels	3
Safety	5
Assembly	6
Installation	7
Operation	9
Getting Quality Service	11
Warranty	12

## Product Compatibility

This Hitch and Display is designed for use with John Deere Full-Size Gator™ Utility Vehicles: XUV835E, XUV835M, XUV835R, XUV865E, XUV865M, and XUV865R.

MY20-older E Spec models will require installation of BM26266 (E Spec harness) and BM26268 (dash port harness)

MY21-newer E Spec models will require installation of BUC10810 (E Spec harness) and BM26268 (dash port harness)

M spec models will require installation of BM26268 (Dash port harness).

R spec models will require installation of BM26268 (Dash port Harness).

Contact your John Deere dealer for specific utility vehicle compatibility.

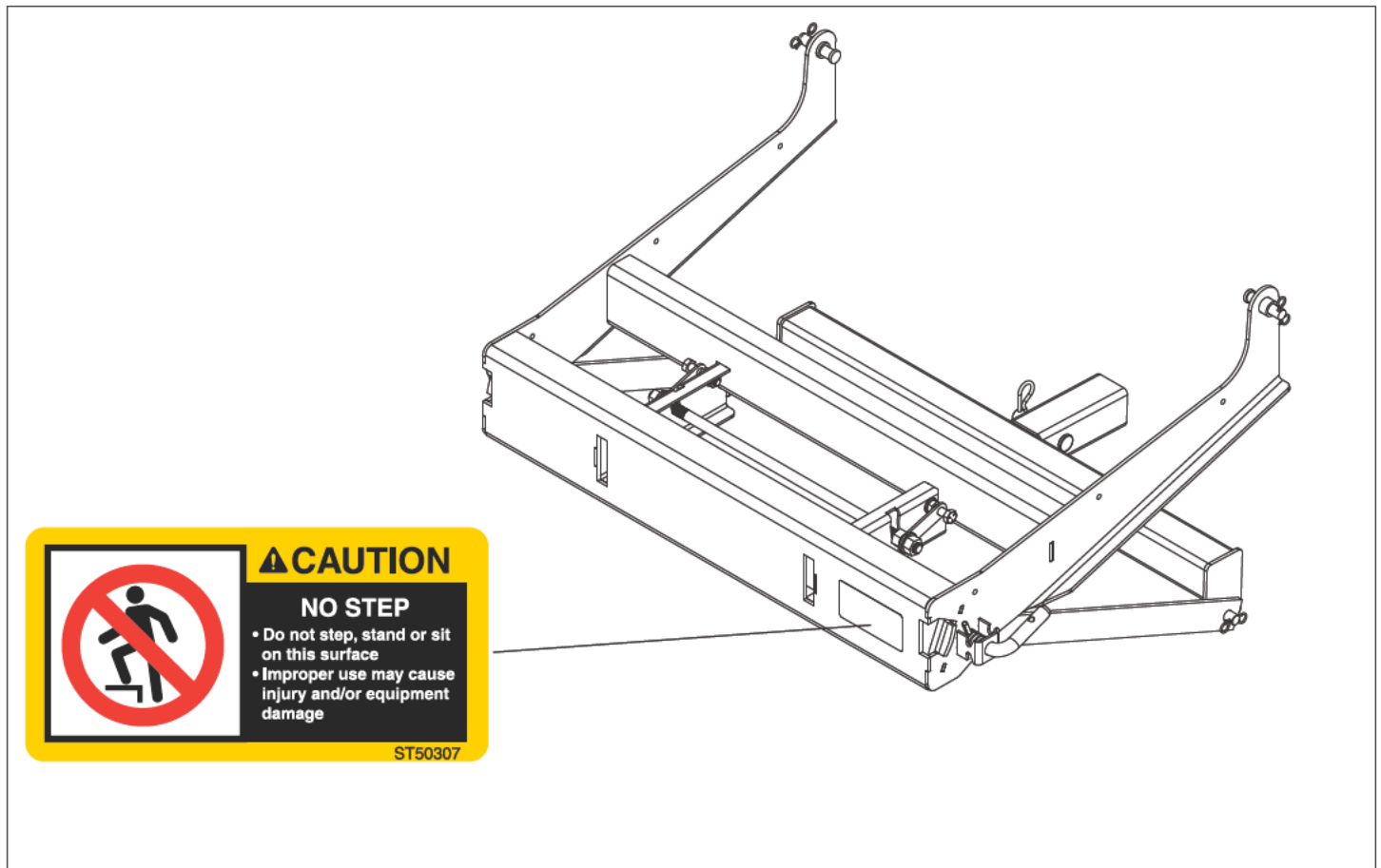
*Original instructions. All information, illustrations and specifications in this manual are based on the latest information available at the time of publication.*

*The right is reserved to make changes at any time without notice.*

**Note : Retain these installation instructions with the machine operators manual.**

# Safety Labels

## Safety Label Locations



### Understanding The Machine Safety Labels



The machine safety labels shown in this section are placed in important areas on your machine to draw attention to potential safety hazards. DANGER or WARNING safety labels are located near specific hazards.

The operator's manual also explains any potential safety hazards whenever necessary in special safety messages that are identified with the word, CAUTION, and the safety-alert symbol.

On your machine safety labels, the words DANGER, WARNING, and CAUTION are used with this safety-alert symbol. DANGER identifies the most serious hazards:

- DANGER; The signal word DANGER indicates a hazardous situation which, if not avoided, will result in death or serious injury.
- WARNING; The signal word WARNING indicates a hazardous situation which, if not avoided, will result in death or serious injury.

- CAUTION; The signal word CAUTION indicates a hazardous situation which, if not avoided, could result in minor or moderate injury. CAUTION may also be used to alert against practices associated with events which could lead to personal injury.

Replace missing or damaged safety labels. Use this operator's manual for correct safety label placement.

There can be more safety information contained on parts and components sourced from suppliers that is not reproduced in this operator's manual.

### French or Spanish Safety Labels and Operator's Manual

Operator's manuals and safety labels with content in French or Spanish are available for this machine through authorized John Deere dealers. See your John Deere dealer.

**NOTE: Both text and no-text labels are shown. Your machine is only equipped with one of these types of labels.**

## Safety Labels



### CAUTION

#### NO STEP

- Do not step or sit on this surface
- Improper use may cause injury and/or equipment damage

# Safety

## Read Safety in Machine Operator's Manual

Read the general safety operating precautions in your machine installation instruction manual for additional safety information.

## Operating Safely

- Read the machine and attachment operator's manual carefully. Be thoroughly familiar with the controls and the proper use of the equipment. Know how to stop the machine and disengage the controls quickly.
- This attachment is intended for use in lawn and property maintenance applications. Do not use for use other than intended by the manufacturer.
- Do not modify machine or safety devices. Unauthorized modifications to the machine or attachment may impair its function and safety.
- Do not let children or an untrained person operate machine.
- Make any necessary adjustments before you operate. Never attempt to make any adjustments while the engine is running, unless if recommended in adjustment procedure.
- Look behind machine before you back up. Back up carefully.
- Do not let anyone, especially children, ride on machine or attachment. Riders are subject to injury such as being struck by foreign objects and being thrown off. Riders may also obstruct the operator's view, resulting in the machine being operated in an unsafe manner.
- Disengage any power to the attachment when the machine is transported or not in use.

## Practice Safe Maintenance

- Only qualified, trained adults should service this machine.
- Understand service procedure before doing work. Keep area clean and dry.
- Do not operate the engine in a confined space where dangerous carbon monoxide fumes can collect.
- Never lubricate, service or adjust the machine or attachment while it is moving. Keep safety devices in place and in working condition. Keep hardware tight.
- Keep hands, feet, clothing, jewelry, and long hair away from any moving parts, to prevent them from getting caught.
- Lower any attachment completely to the ground or to an existing attachment mechanical stop before servicing the attachment. Disengage all power and stop the engine. Lock park brake and remove the key. Let machine cool.
- Disconnect the negative battery cable(s) before making any repairs.

- Before servicing machine or attachment, carefully release pressure from any components with stored energy, such as hydraulic components and springs.
- Release hydraulic pressure by lowering attachment or cutting units to the ground or to a mechanical stop and move hydraulic control levers.
- Securely support any machine or attachment elements that must be raised for service work. Use jack stands or lock service latches to support components when needed.
- Never run engine unless park brake is locked.
- Keep all parts in good condition and properly installed. Fix damage immediately. Replace worn or broken parts. Replace all worn or damaged safety and instruction decals.
- Check all hardware at frequent intervals to be sure the equipment is in safe working condition.
- Do not modify machine or safety devices. Unauthorized modifications to the machine or attachment may impair its function and safety.

## Parking Safely

1. Stop vehicle on a level surface, not on a slope.
2. Fully lower the cargo box and any attachments on the machine that can be lowered.
3. Fully engage the parking brake and ensure vehicle is not moving.
4. Stop engine.
5. Remove key.
6. Disconnect the negative battery cable before servicing the machine.

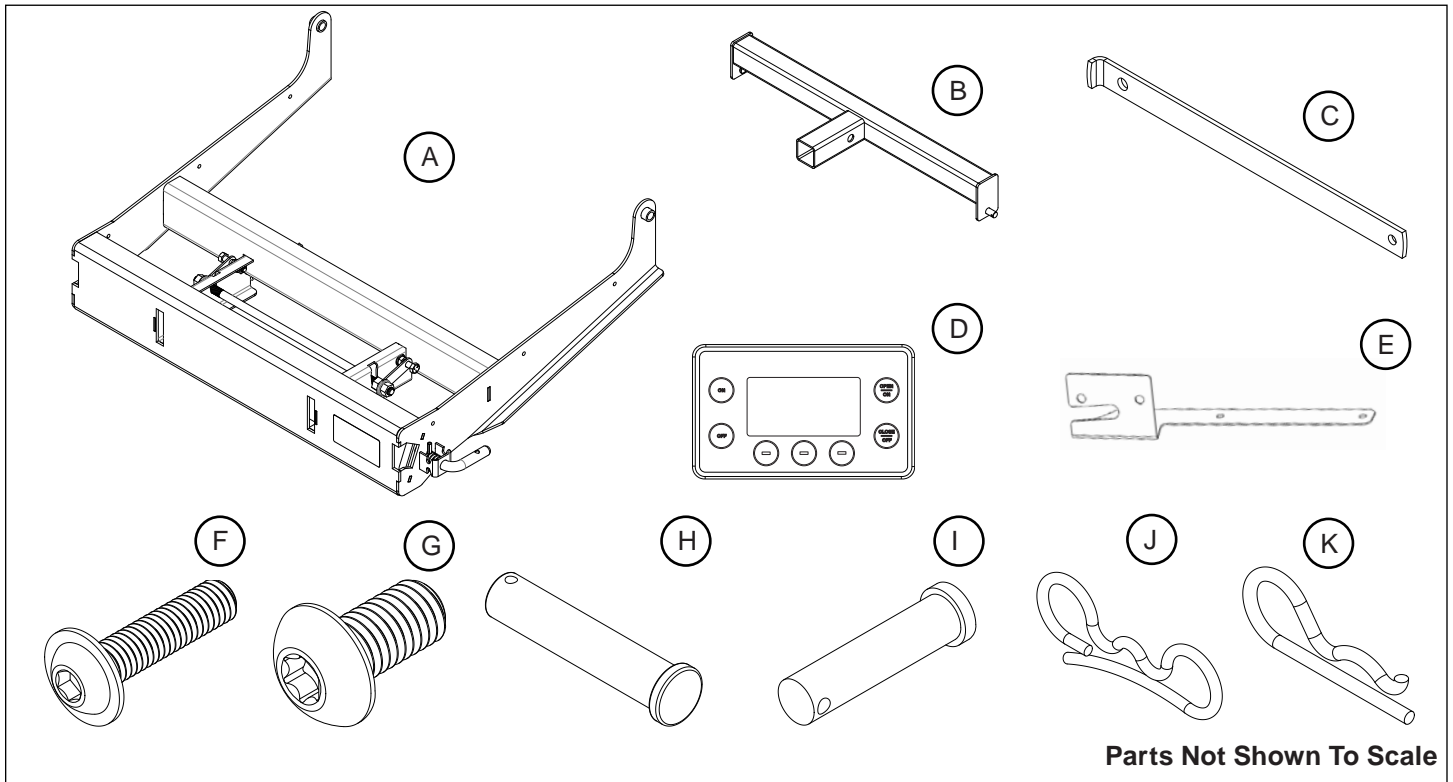
## Wear Appropriate Clothing



- Always wear eye protection when operating the machine.
- Wear close fitting clothing and safety equipment appropriate for the job.
- While operating this machine, always wear substantial footwear and long trousers. Do not operate the equipment when barefoot or wearing open sandals.
- Wear a suitable protective device such as earplugs. Loud noise can cause impairment or loss of hearing.
- Always wear substantial footwear. Do not operate the equipment when barefoot or wearing open sandals.

# Assembly

## Identify Parts and Assemble



### Main Components

Description		Qty
Spreader Mount Frame	A	1
Hitch Weldment	B	1
Side Support	C	2
Display	D	1
Display Bracket	E	1
Display Harness	Not Shown	1
Chassis Harness	Not Shown	1

### Hardware Bag

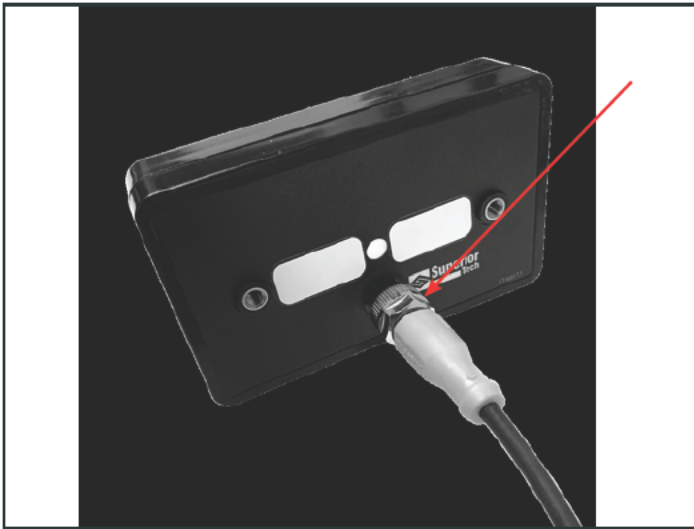
Description		Qty
M6 x 25 mm Button-Head Cap Screw	F	2
M5 x 8 mm Button-Head Cap Screw	G	2
1/2 in. x 2 in. Clevis Pin	H	1
5/8 in. x 3 in. Clevis Pin	I	1
Bowtie Clip	J	4
Cotter Pin	K	1
Wire Harness Clips	Not Shown	4
M5 Washer	Not Shown	2

# Installation

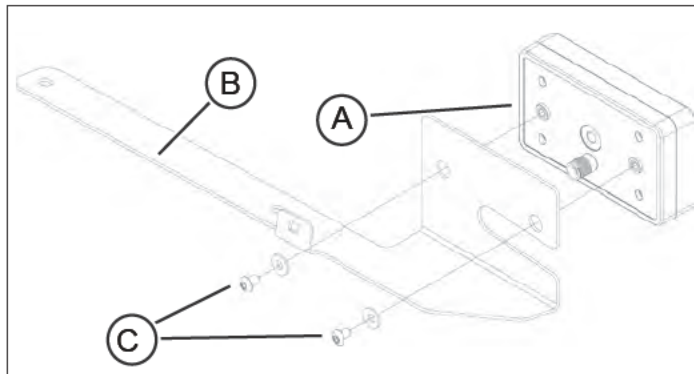
## Install Display

1. Attach Display Harness to rear of display.

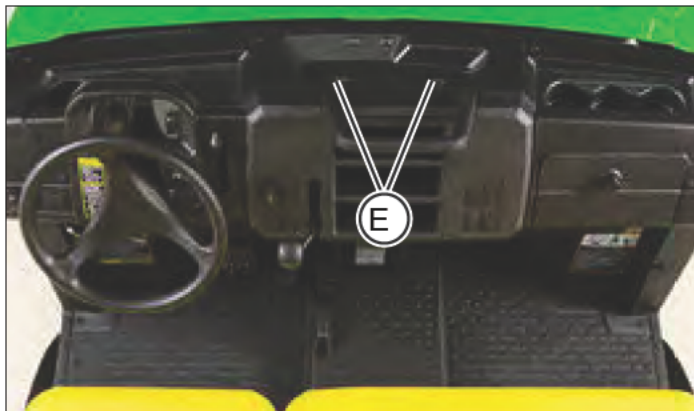
**NOTE:** Hand tighten the connector coupling nut to 0.5-1.0 ft-lb. Be careful not to cross thread the nut on the plastic threads. Do not twist the overmolded portion of the connector, only twist the metal coupling nut or damage may occur to the display connector pins.



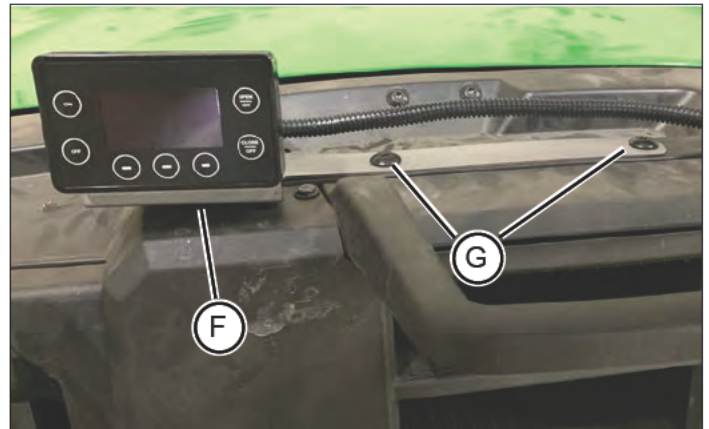
2. Mount display (A) to mounting bracket (B) using two M5 x 8 mm screws (C) and two M5 washers (D).



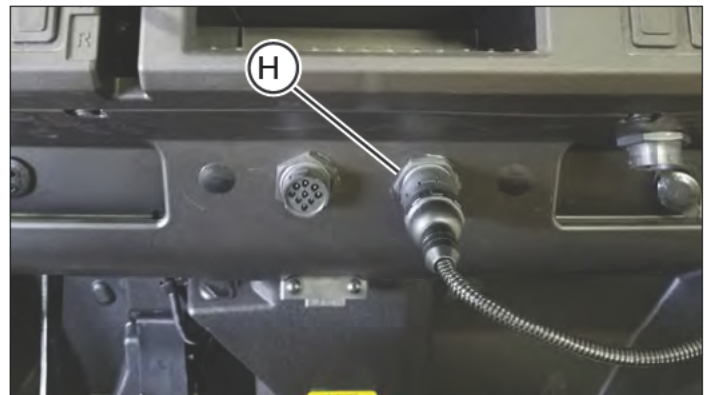
3. Remove the two M6 x 20 mm screws (E) from the top center of the dash.



4. Mount display and bracket (F) with the M6 x 25 mm screws (G).

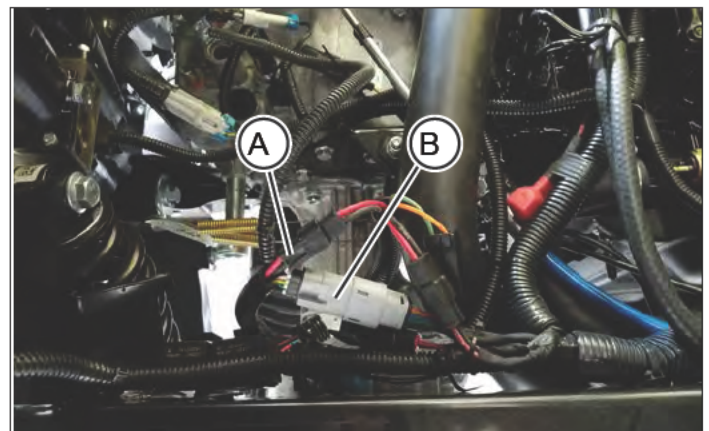


5. Route the display harness from the display to the right of the center console and attach to the rear dash port plug (H). Secure display harness to the square cutout in the mounting bracket using a cable tie.



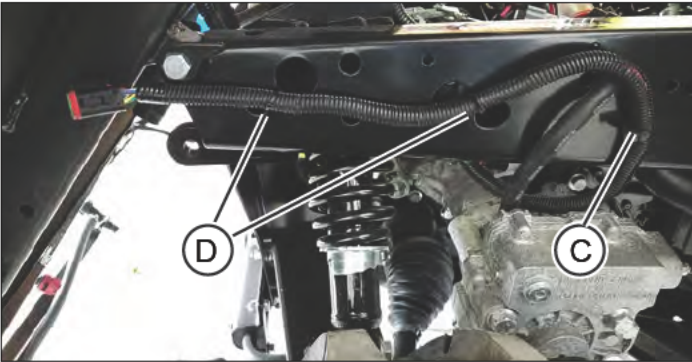
## Install Chassis Harness

1. Raise the cargo box.
2. Attach the chassis harness to the power plug (B) and data plug (A) on the inside of the passenger side frame rail.



# Installation

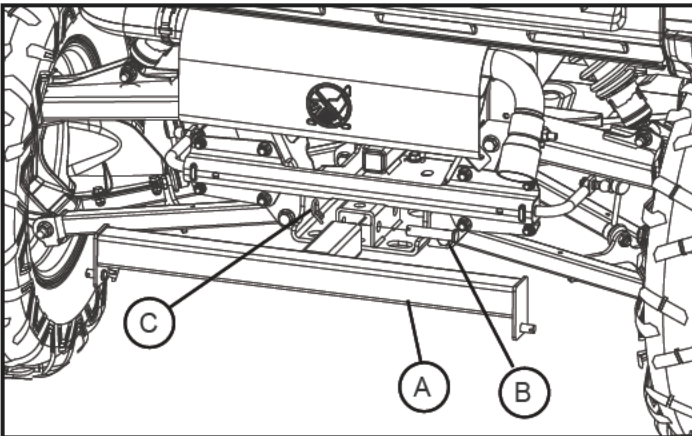
3. Route the chassis harness under the frame and towards the rear of the vehicle frame. Secure the harness using the provided harness clips (C) and cable ties (D).



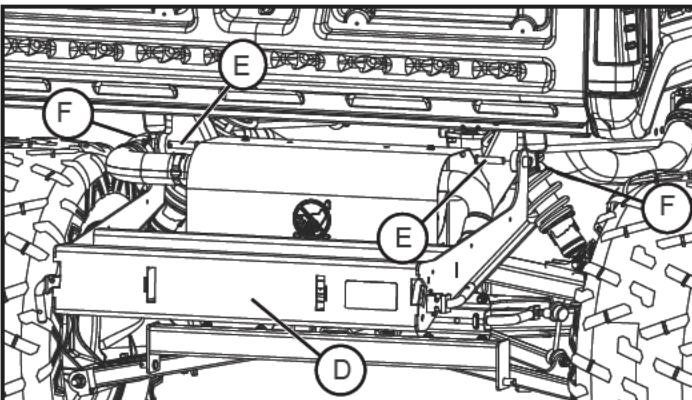
4. Make sure the chassis harness is clear of the rear tire, suspension, exhaust, and the pinch point of the cargo box.
5. Lower the cargo box

## Installing Hitch

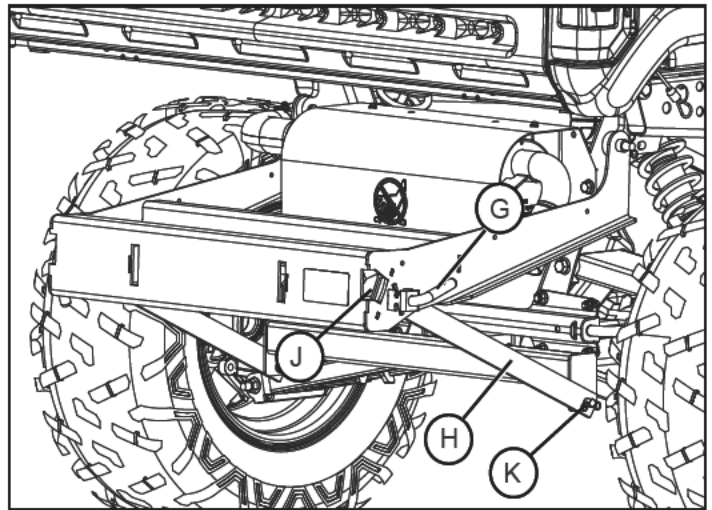
1. Insert the lower frame (A) into the vehicle hitch receiver. Secure with 5/16" x 3" clevis pin (E) and hitch pin clip (C).



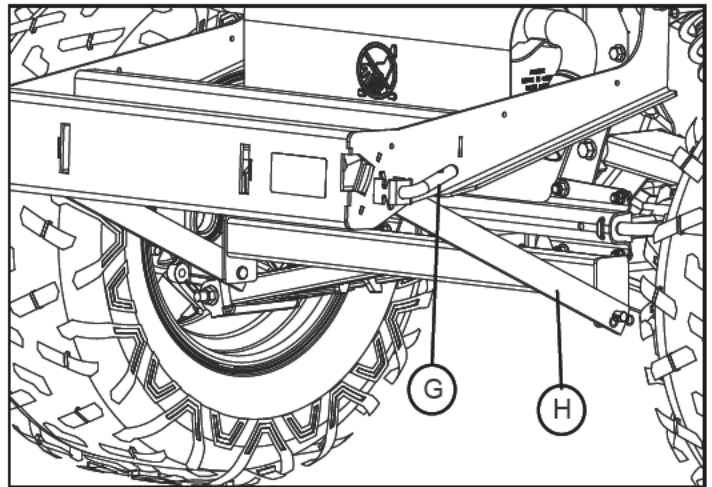
2. Connect upper frame (D) to the vehicle using 1/2" x 2" clevis pin (E) through the holes in the end of the vehicle frame. Secure with bowtie clips (F).



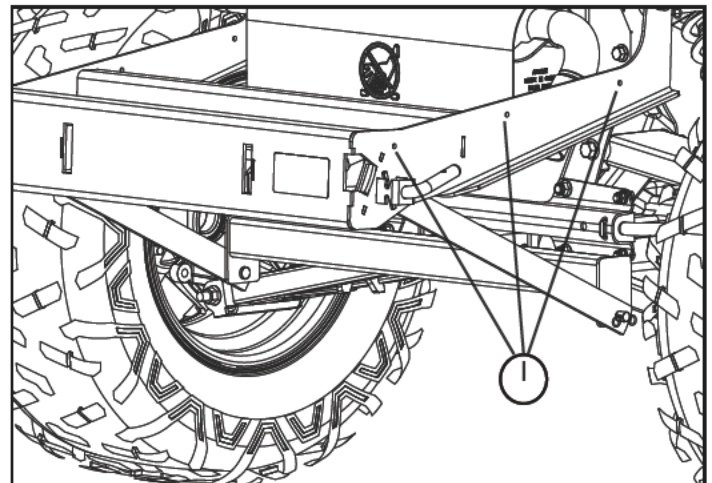
3. Retract the upper locking pins (G) and twist to lock out. Insert side supports (H) through the slots (J) in the upper frame. Place lower holes over the pins (K) on the lower frame and secure with bowtie clips.



4. Secure upper frame by engaging the locking pin (G) into the side support (H) on both sides of the frame



5. Install Wire Harness Clips (I) on side of frame.

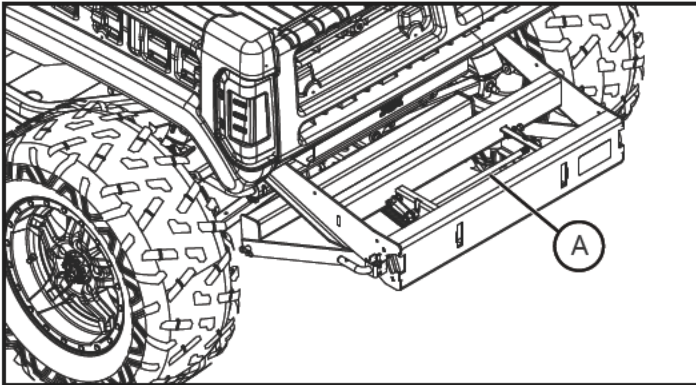




# Operation

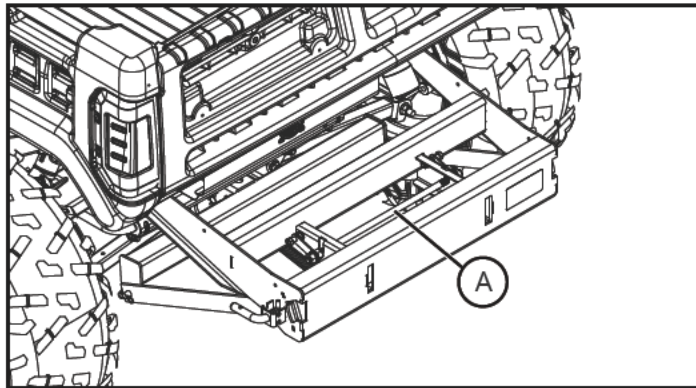
## Attaching Implements

1. Insert implement into the hitch until the lock bar (A) engages.



## Removing Implements

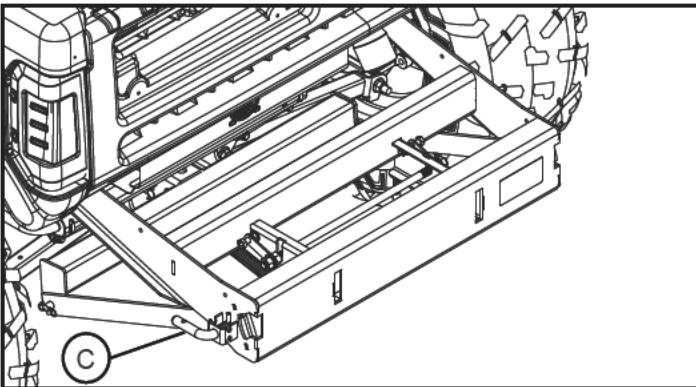
1. Slide implement inwards.
2. Lift Lock bar (A) and slide implement outwards.



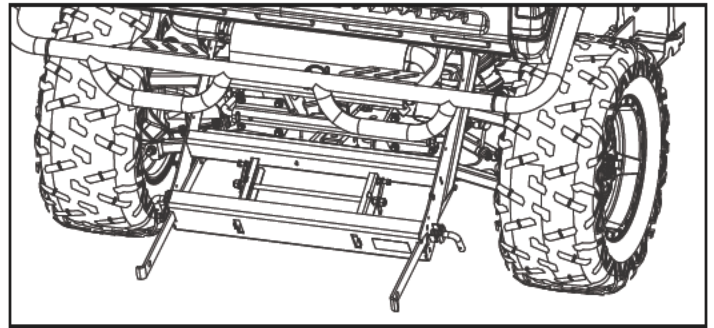
3. Lift away the implement

## Lowering Hitch

1. Remove any implements from the hitch
2. Disengage locking pins (C) by pulling out and twisting to lock.

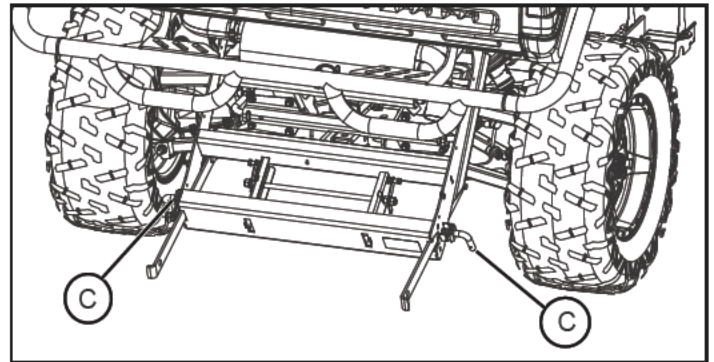


3. Lower the hitch.



## Raising the Hitch

1. Twist the locking pins (C) to unlock and raise the hitch until locking pins engage.



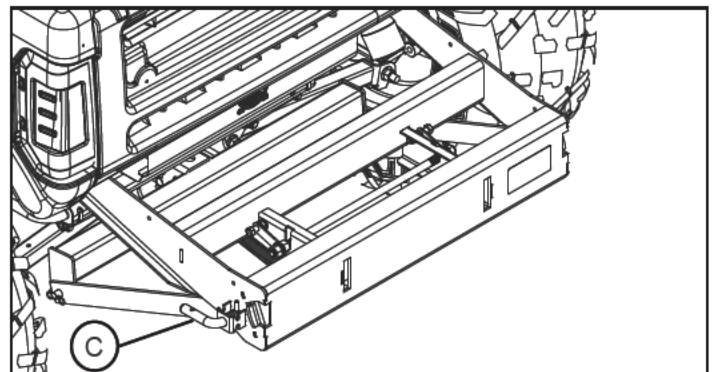
2. Ensure both sides of the hitch are secured before attaching implements.



**CAUTION:** Driving with frame folded down may damage the frame or vehicle

## Raising the Cargo Box

1. Remove any implements from the hitch.



2. Disengage locking pins (C) by pulling out and twisting to lock.
3. Lower the hitch.
4. Raise the Cargo box.

# Operation

## **Operating Implements**

See implement operators manual for instructions on using attachments.

# Good Quality Service

## John Deere Quality Continues with Quality Service

John Deere provides a process to handle your questions or problems, should they arise, to ensure that product quality continues with quality parts and service support.

Follow the steps below to get answers to any questions you may have about your product.

Refer to your attachment and machine operator manuals.

In North America or Canada, call John Deere Special Services at 1-888-867-2238 and provide product serial number (if available) and model number.

# Warranty

## Limited Warranty for New John Deere Licensed Products

Superior Tech's attachments are guaranteed to be free from defects in material and workmanship from the date of purchase for 1 year residential use, 6 months commercial use, provided that the purchaser properly assembles, installs, uses and maintains the products in accordance with this manual.

Purchaser's failure to adhere to such requirements will void the warranty. To the extent permitted by applicable law, all other warranties, representations, obligations and conditions, expressed or implied, including but not limited to implied warranties of merchantability, fitness for any particular purpose and non-infringement, are hereby disclaimed and excluded.

Any product which does not meet warranty shall, as purchaser's sole and exclusive remedy, be repaired or replaced by Superior Tech. This warranty is non-transferable.

- In addition, our warranty does not cover:
- Labor charges.
- Loss or consequential, incidental or special damages of any kind.

*This product was manufactured by Superior Tech, Inc, a John Deere Licensee, located at 1811 Rohrerstown Road, Lancaster, PA 17601. If you have any questions or concerns with the assembly, installation, or operation of this attachment, see your local John Deere dealer or call Superior Tech at 1-888-867-2238 for assistance.*

