



JOHN DEERE

INSTALLATION INSTRUCTIONS

9" Snow Blade Extensions

ST50563 07/24/2015

ENGLISH

LP53767

Product Compatibility

Fits John Deere 54" Blade used on X400/X500 Heavy Duty Garden Tractors, X700 Series Tractors and 1 & 2 Family Compact Utility Tractors

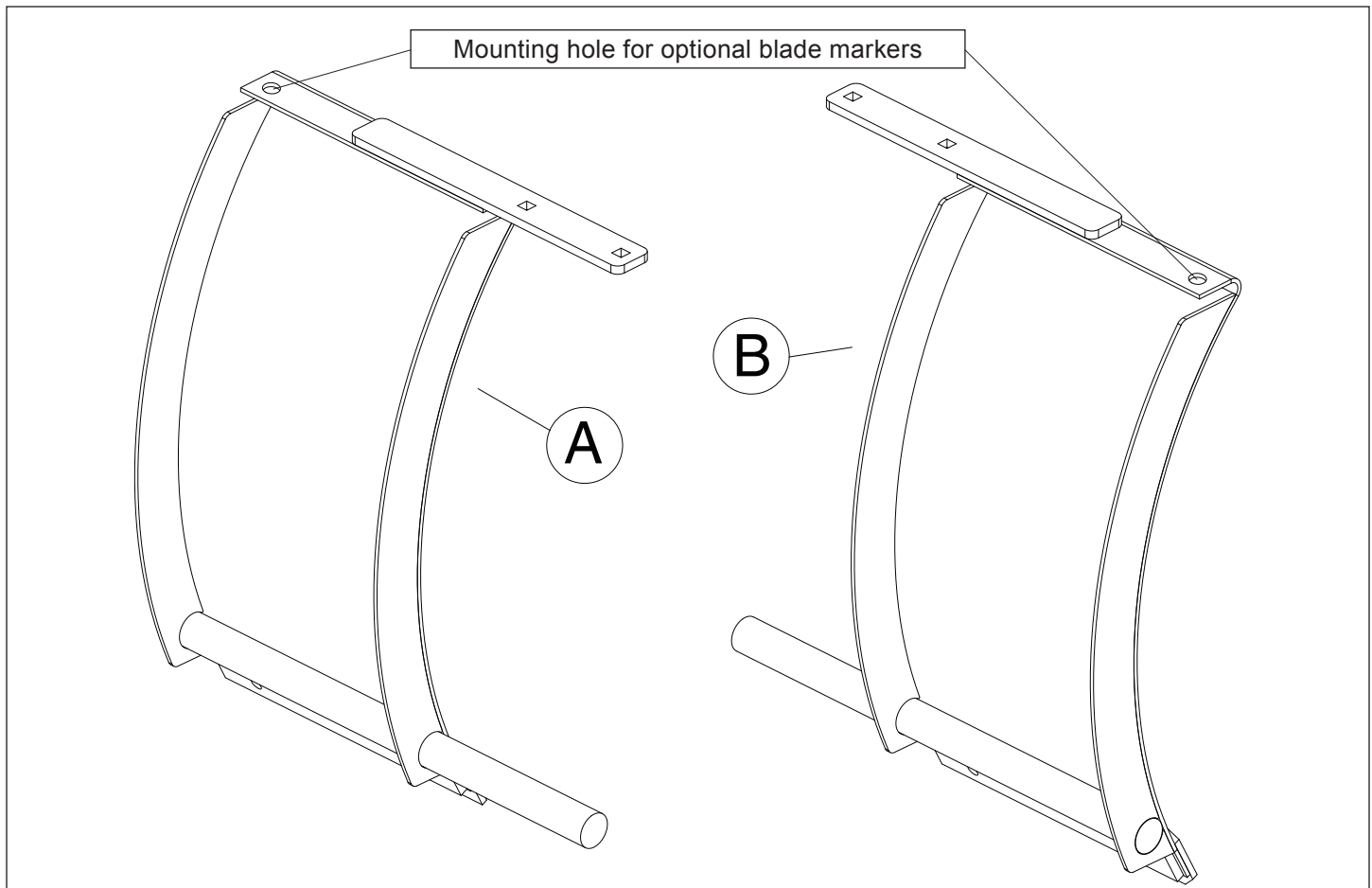
The Assembly and Installation sections of this instruction sheet provide information to assemble and install the attachment to your 54" blade. Use the Service section to make any needed adjustments and routine service to your attachment.

Using Your Installation Instructions

Read the Tractor Operator's Manual and the 54" Blade Operator's Manual in entirety, especially the safety information, before operating.

If your Tractor Operator's Manual and the 54" Blade Operator's Manual has a section called Preparing the Machine, it means that you will have to do something to your tractor or vehicle before you can install the attachment.

Assembly Parts In Kit

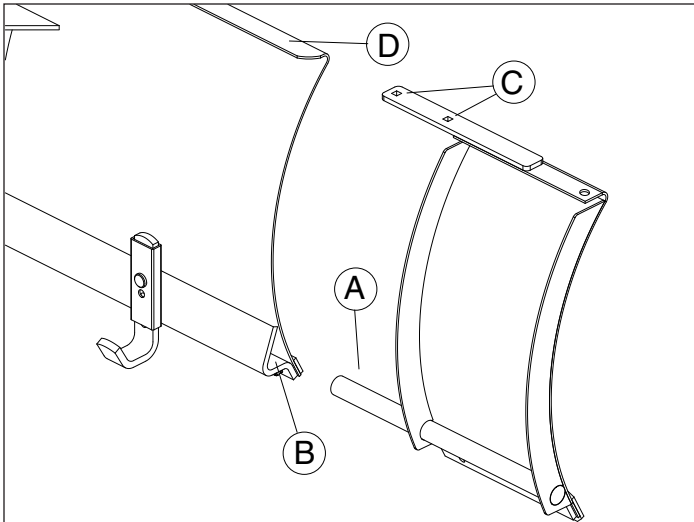


Parts Description	Qty
Left Blade Extension (A)	1
Right Blade Extension (B)	1
Hardware Bag	Qty
3/8" x 1" Carriage Bolt	4
3/8" Flange Nut	4

Blade Markers (Sold Separately)
LP64664 Blade Marker Kit

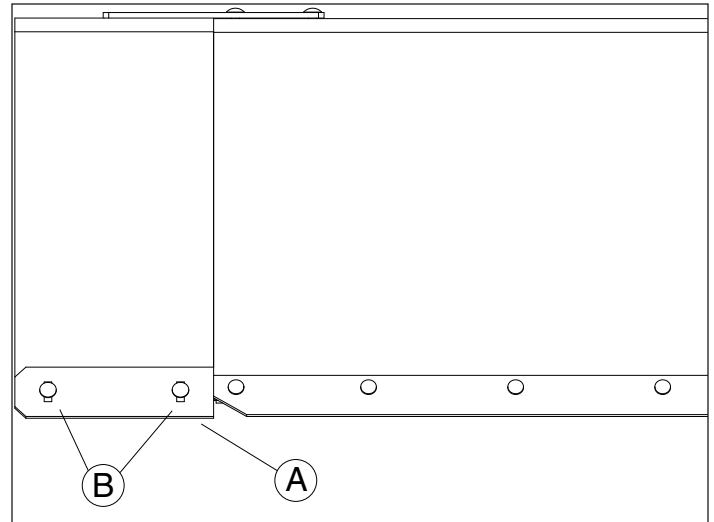
Installing

Installing



1. Slide the shaft (A) on the blade extension into the gap (B) between the blade and the angle.
2. With the extension in place, clamp in place with a non-marring clamp.
3. Using the square holes (C) as a guide, drill 13/32" holes on the top surface (D) of the blade
4. Fasten extension using two 3/8" x 1" Carriage Bolts and 3/8" Flange Nuts.
5. Repeat steps 1-4 on other side.

Edge Adjustment



Initial installation of the blade extensions may require adjusting the blade extension edge (A) to match the height of the 54" blade edge.

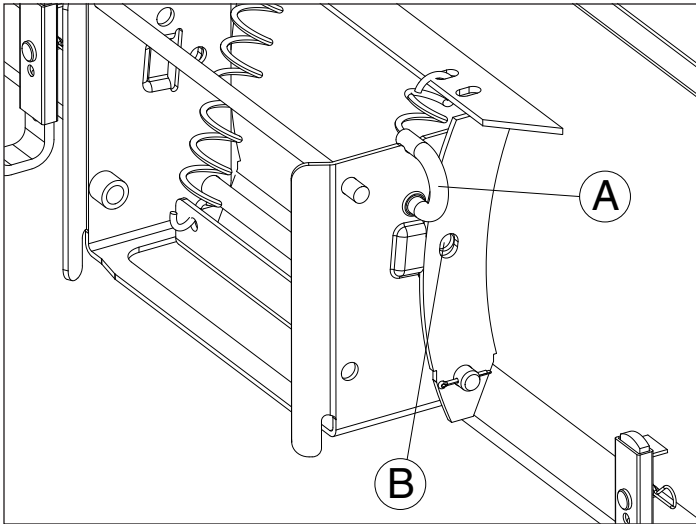
1. Park on a flat level surface and put the blade down.
2. Loosen two bolts (B).
3. Slide the blade extension edge (A) to the ground, same as the 54" blade edge.
4. Tighten two bolts (B).
5. Repeat on other side.

Note: The blade extension edge (A) is reversible. Remove two bolts (B) and flip.

Operation

Usage Requirements

Blade Extensions are to be used for snow removal only.



To prevent damage to blade extensions, be sure the blade trip lock pin (A) is not engaged in hole (B). If pin is in hole, pull out to disengage and turn vertically into slot.

Warranty

Limited Warranty for New John Deere Licensed Products

Superior Tech's 9" Snow Blade Extensions are guaranteed to be free from defects in material and workmanship from the date of purchase for 1 year residential use, 6 months commercial use, provided that the purchaser properly assembles, installs, uses and maintains the products in accordance with this manual.

Purchaser's failure to adhere to such requirements will void the warranty. To the extent permitted by applicable law, all other warranties, representations, obligations and conditions, expressed or implied, including but not limited to implied warranties of merchantability, fitness for any particular purpose and non-infringement, are hereby disclaimed and excluded. Any product which does not meet warranty shall, as purchaser's sole and exclusive remedy, be repaired or replaced by Superior Tech. This warranty is non-transferable.

In addition, our warranty does not cover:

- Labor charges.
- Loss or consequential, incidental or special damages of any kind.

This product was manufactured by Superior Tech, Inc, a John Deere Licensee, located at 43 Industrial Road, Ephrata, PA 17522. If you have any questions or concerns with the assembly, installation, or operation of this attachment, see your local John Deere dealer or call Superior Tech at 1-888-867-2238 for assistance.