



JOHN DEERE

# Product Services Information

## INSTALLATION INSTRUCTIONS (Includes English and French)



JOHN DEERE

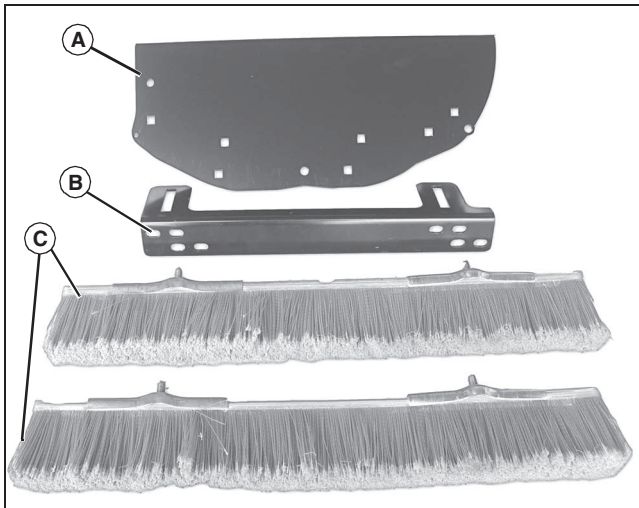
### PATTERN MOWING KIT

#### Compatibility

This kit is compatible with all 100 series, and X300 and X500 select series models with a 48 in. or 54 in. deck.

This kit is not compatible with the (42 in. deck).

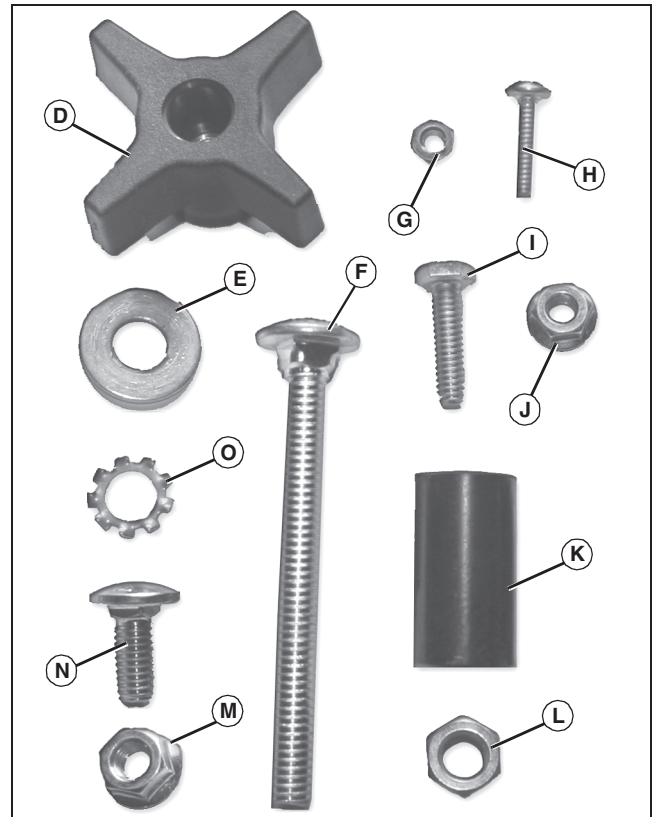
#### Parts in Kit



MX41756

Qty.	Description
1	Brush Mount Frame (A)
1	Brush Support (B)
2	Brush (C)

#### Bag of Parts



MX41742

Qty.	Description
2	Plastic Knob, 3/8 in. (D)
2	Flat Washer, 3/8 in. (E)
2	Carriage Bolt, 3/8 x 3-1/2 in. (F)
1	Nut, 8-32 (Alignment) (G)
1	Bolt, 8-32 x 5/8 in. (Alignment) (H)
1	Bolt, 1/4 in. (Alignment) (I)
1	Nut, 1/4 in. (Alignment) (J)
4	Spacer (K)
2	Locknut, 3/8 in. (L)
8	Locknut, 5/16 in. Flange (M)
4	Carriage Bolt, 5/16 in. (N)
2	Lockwasher, Star, 3/8 in. (O)

**NOTE: Retain these installation instructions with the machine operator's manual.**

## Parking Safely

1. Stop machine on a level surface, not on a slope.
2. Disengage mower blades.
3. Move motion control levers out to the Start/Shutdown position.
4. Lock the park brake.
5. Stop the engine.
6. Remove the key.
7. Wait for engine and all moving parts to stop before you leave the operator's seat.
8. Disconnect the negative battery cable or remove the spark plug wire (for gasoline engines) before servicing the machine.

## Installing Pattern Mowing Kit

**NOTE:** The following directions are for mounting the pattern mowing kit to 2008 and previous mower decks. All 2009 mower decks are pre-punched to accommodate the kit.

### Brush Mount Frame Alignment and Mounting Hole Identification

The brush mount frame is designed to be adaptable to all of the mower decks covered by these instructions, by using different combinations of the available alignment and mounting holes. Some mower decks require mounting holes to be drilled in the deck to complete installation.

### Install Brush Mount Frame

1. Park the mower on a level surface and engage parking brake. (See "Parking Safely" above.)



**CAUTION: Avoid injury! Blades are sharp and can cut. Use caution and wear gloves when handling blades or working near blades.**

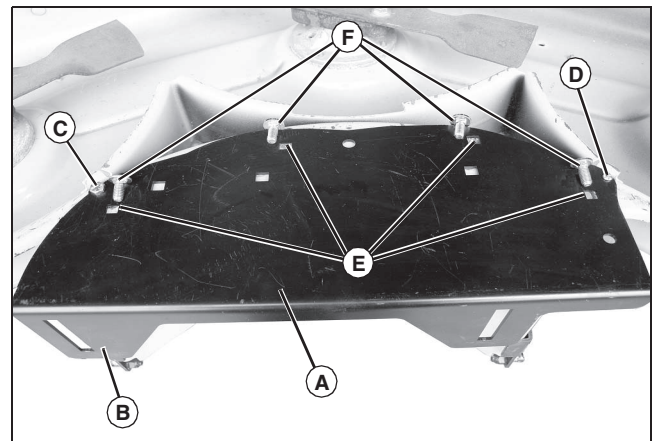
2. Remove mower deck. See "Service Mower" section of Operator's Manual for specific procedure.



**CAUTION: Avoid injury! Machine component or attachment is heavy. Use a safe lifting device or get an assistant to help lift, install or remove component or attachment.**

3. Carefully turn the mower deck upside down for installation of the brush mount frame.
4. Install the brush mount frame:

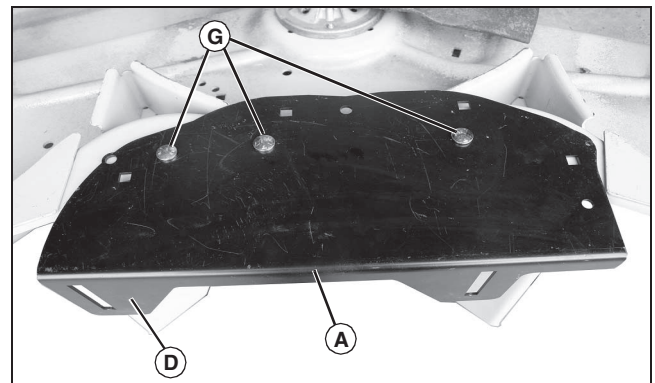
### 100 Series(48 in. deck)



MX41757

- a. Position brush mount frame (A) over the rear lip of the deck with the angled flange (B) pointing down (toward the top of the deck).
- b. Install a 1/4" bolt (C) through one square alignment hole, and 8-32 x 5/8 in. bolt (D) through deck lip from the bottom. Secure at the top side of the deck lip with a 1/4" nut and a 8-32 nut.
- c. Using the four mounting holes (E) in the brush mount frame as a template, drill four 5/16" holes through the deck lip, if required. Deburr holes as necessary and secure the mount frame to the deck lip with 5/16" carriage bolts (F), installed from the bottom, and 5/16" flange locknuts at the top side of the deck lip. Tighten hardware.

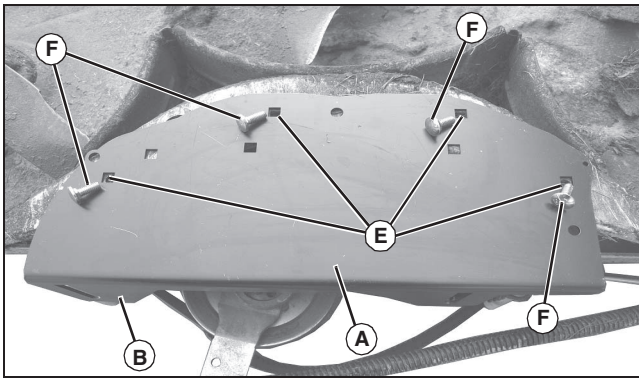
### 100 Series (54 in. deck)



MX41758

- a. Position brush mount frame (A) over rear lip of deck with angled flange (B) pointing down.
- b. Align mounting holes in the brush mount frame with existing holes in the mower deck, and secure with 5/16" carriage bolts (G), installed from the bottom. Secure with 5/16" flange locknuts at the top side of the deck lip. Tighten hardware.

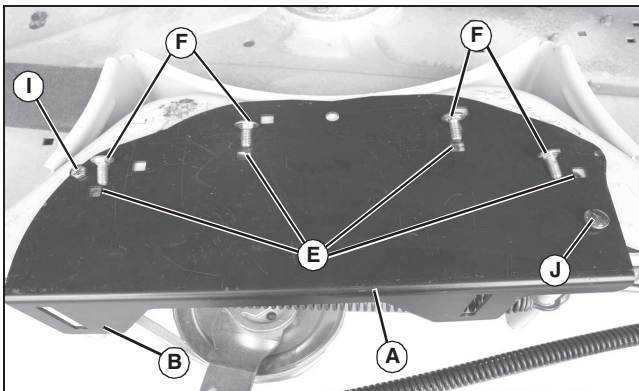
### X300 and X500 Select Series (48 in. deck)



MX41759

- a. Position brush mount frame (A) over the rear lip of the deck with the angled flange (B) pointing down (toward the top of the deck).
- b. Align mounting holes (E) in the brush mount frame with existing holes in the mower deck. Secure with 5/16" carriage bolts (F), installed from the bottom, and 5/16" flange locknuts at the top side of the deck lip. Tighten hardware.

### X300 and X500 Select Series (54 in. deck)



MX41760

- a. Position brush mount frame (A) over the rear lip of the deck with the angled flange (B) pointing down (toward the top of the deck).
- b. Install 1/4" bolt through square alignment hole (I) and use 5/16" carriage bolt at (J) to locate bracket. Secure at the top side of the deck lip with 5/16" flange locknut and 1/4" nut. Tighten hardware.
- c. Using the four mounting holes (E) in the brush mount frame as a template, drill four 5/16" holes through the deck lip. Deburr holes as necessary and secure the mount frame to the deck lip with 5/16" carriage bolts (F), installed from the bottom, and 5/16" flange locknuts at the top side of the deck lip. Tighten hardware.

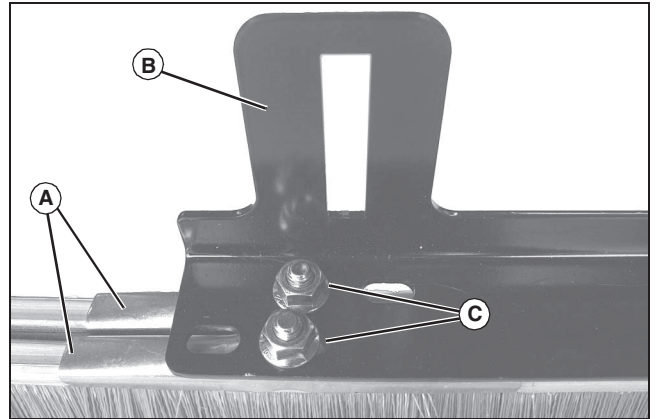


**CAUTION: Avoid injury! Machine component or attachment is heavy. Use a safe lifting device or get an assistant to help lift, install or remove component or attachment.**

5. Carefully turn the mower deck over to the upright position.

### Brush Installation

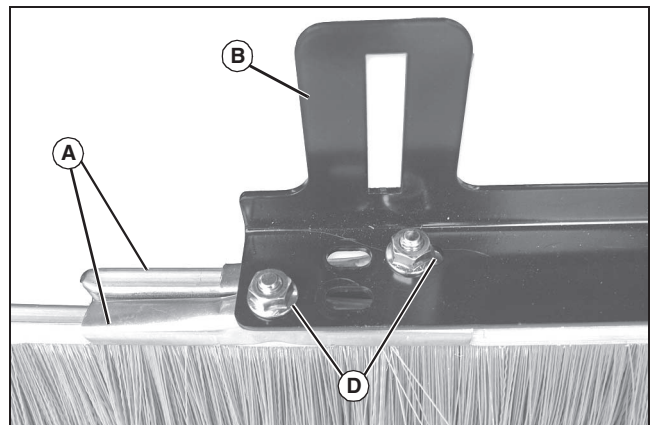
#### All Models except X534



MX41762

1. Install brushes (A) to the brush support (B) using center holes (C) on the brush support.
2. Install 5/16" flange locknuts and tighten.

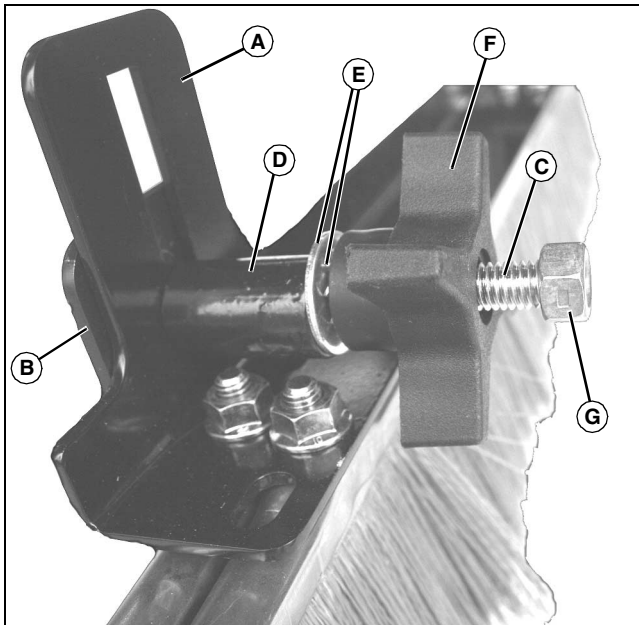
#### X534



MX41761

1. Install brushes (A) to the brush support (B) using outer holes (D). Brushes will be offset from one another.
2. Install 5/16" flange locknuts and tighten.

## Assemble Brushes and Brush Support to Brush Mount Frame



MX41750

1. Assemble the brush support (A) to the flange on the brush mounting frame (B), aligning the slotted mounting holes on the two components. Secure each side with a 3/8 x 3-1/2 in. carriage bolt (C), installed from the front side, two spacers (D), 3/8 in. flat washer and 3/8 in. star lockwasher (E).
2. Secure assembly with a plastic knob (F) and 3/8 in. locknut (G). (The locknut is used to keep the plastic knob retained and should only be tightened until the end of the carriage bolt is flush with the end of the locknut.)

### Complete Installation

1. Loosen the plastic knobs and move the brush support to the highest position for installation of mower deck.



**CAUTION: Avoid injury! Blades are sharp and can cut. Use caution and wear gloves when handling blades or working near blades.**

2. Install mower deck. See “Service Mower” section of Operator’s Manual for specific procedure.

## Operation and Adjustment

### Operation

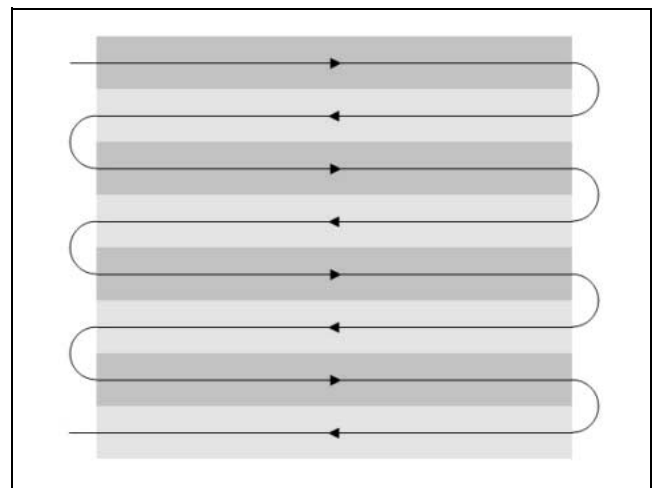
- The Pattern Mowing Kit extends the capability of compatible models by providing a means to create cosmetic pattern effects on the lawn during the mowing process.
- When properly adjusted, the brushes bend the cut grass in the direction of travel. With proper planning, mowing

patterns can create attractive “striping” or “checkered” effects, as sunlight reflects off of the grass, bent in different directions by alternating rows or crisscrossed designs.

To accomplish this, mowing must be planned to alternate direction of mowing travel with each pass to create the most effective patterns.

- For best results, mowing height should be at least 2 in., and mowing direction should be alternated 90° (perpendicular) at each mowing, from the previous time. Removing grass clippings with a material collection system will also enhance the visual effect of any pattern.
- The effective width of the Pattern Mowing Kit is 48 in., coinciding with the cutting width of the 48 in. deck. For 54 in. mower decks, mowing passes should overlap slightly for best results.

### To create a striped pattern:

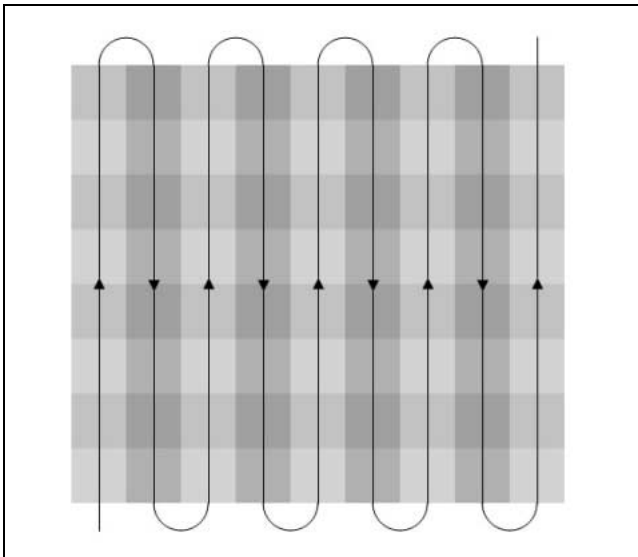


MX40542

### Picture Note: Single striped pattern.

- Create a striped pattern by mowing in straight-line passes, alternating the direction of travel with each pass.

## To create a checkered pattern:



MX40543

**Picture Note: Two perpendicular striped patterns create a checkered effect.**

- First create a striped pattern. Then complete the checkered pattern by creating another striped pattern perpendicular to the first one. The intersection of the two striped patterns creates a checkerboard effect.

## Adjustment



**CAUTION: Avoid injury! Touching hot surfaces can burn skin. The engine, components, and fluids will be hot if the engine has been running. Allow the engine to cool before servicing or working near the engine and components.**

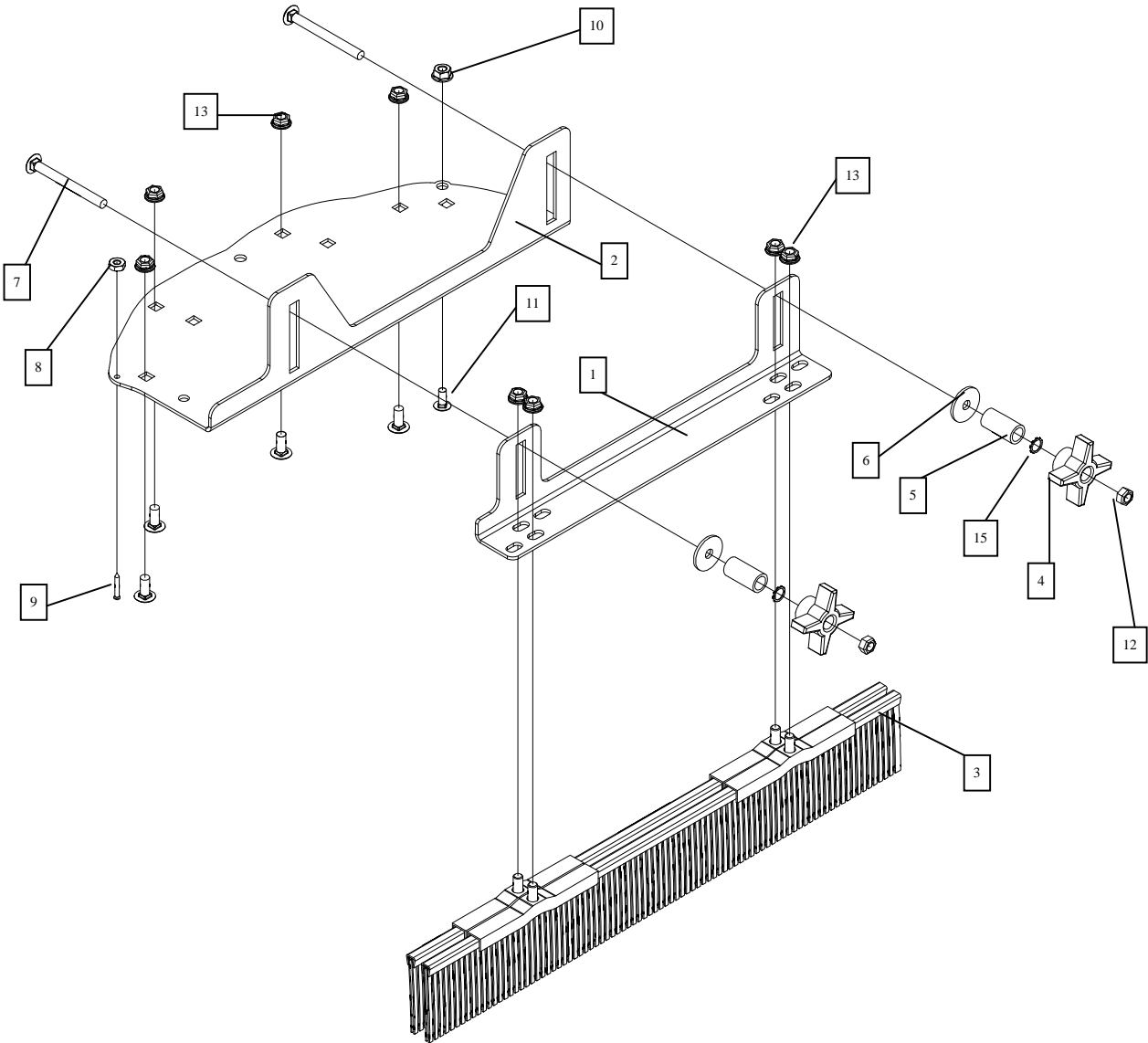
- Remove grass and debris from engine compartment, muffler area, and mower deck before and after operating machine, especially after mowing or mulching in dry conditions.
- Determine desired grass height and adjust mower deck cutting height. The Pattern Mowing Kit works best with taller grass height, 2-1/2 to 3-1/2 in. Mowing heights shorter than 2 in. do not allow adequate pattern creation.
- Lower mower deck to cutting height, then loosen the two plastic locking knobs and lower the brush assemblies until they touch the lawn surface. Lock the knobs to secure brush position. Lowering the brushes farther to exert more pressure provides no additional benefit, and will reduce brush life and performance.
- The brushes may be reversed, by removing them from the brush support, reversing them and re-installing in the support. Recommended interval is once yearly, or as needed.
- When parking the mower or when the mower deck is not

in use, always raise the mower deck to lift the brush off the surface.





# Part Explosion – 48/54” Grass Groomer



#	Description	Part #	LP1002
1	Brush Mount Frame	ST60028	1
2	Brush Support	ST60029	1
3	Brush Assembly	ST60050	2
4	3/8 Plastic Knobs	ST43289	2
5	Spacer		2
6	3/8 Flat Washer		2
7	3/8 x 3 1/2 Carriage bolt		2
8	Nut 8-32		1
9	Bolt, 8-32 x 5/8		1
10	Bolt 1/4		1
11	Nut 1/4		1
12	Locknut 3/8		2
13	Locknut, 5/16 Flange		8
14	Carriage Bolt 5/16		4
15	Lock Washer Star		2