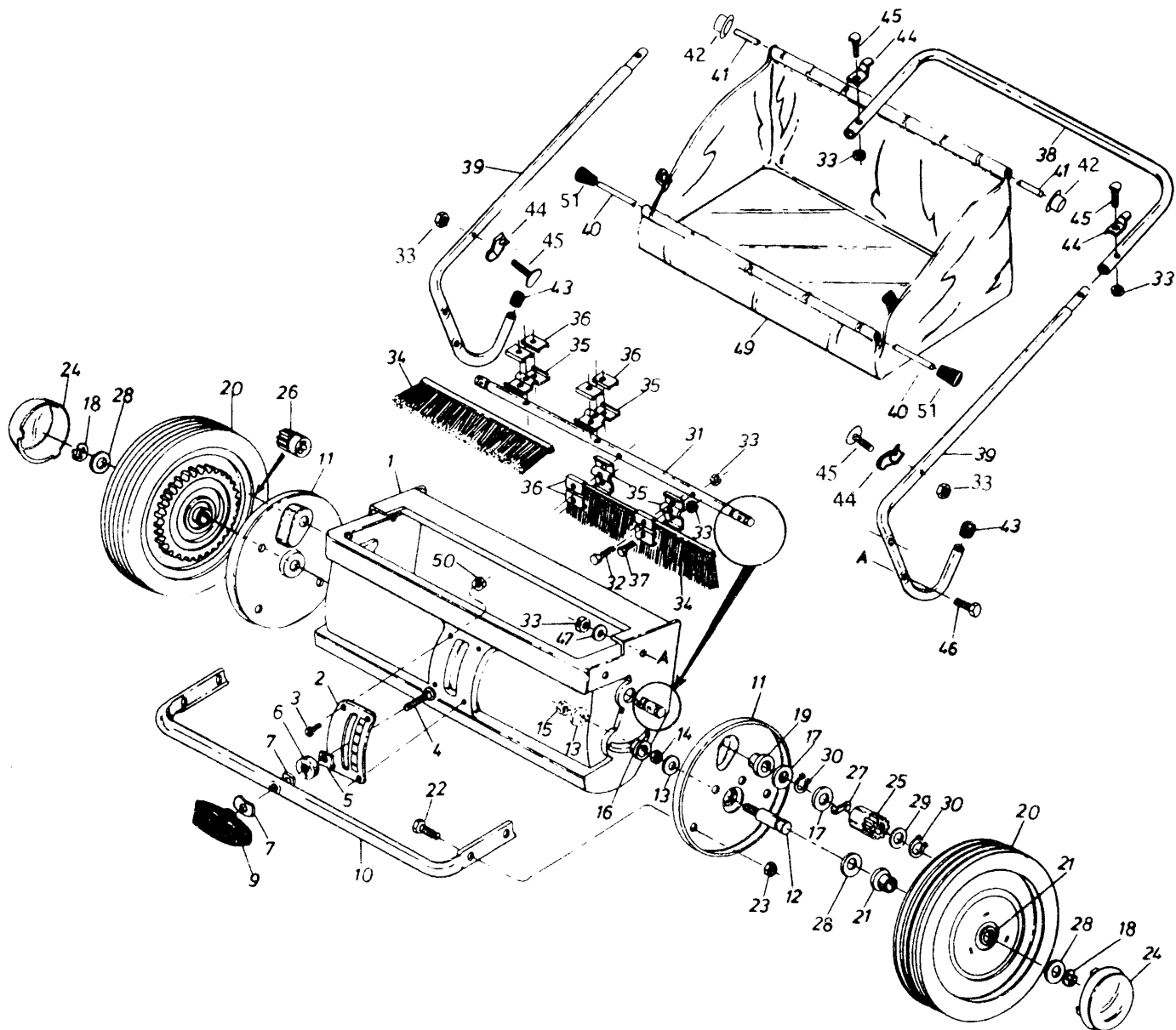


REPAIR PARTS FOR MODEL 45-0218 — 26" (PUSH) LAWN SWEEPER



REPAIR PARTS FOR MODEL 45-0218 26" (PUSH) LAWSWEEP

| REF. NO. | PART NO. | QTY. | DESCRIPTION | REF. NO. | PART NO. | QTY. | DESCRIPTION |
|----------|-----------|------|--------------------------------------|----------|----------|------|----------------------------------|
| 1 | 44600 | 1 | Housing, 26 | 29 | 44006 | 2 | Washer, Flat .596 x .859 x .025* |
| 2 | 23784 | 1 | Height Adj. Plate | 30 | 1650-21 | 4 | Ring, Retaining .594 I.D. |
| 3 | 44286 | 4 | Bolt, Hex Hd. 10-32 x 5/8" Lg.* | 31 | 23782 | 1 | Shaft, Brush |
| 4 | 43681 | 1 | Bolt, Carr., 5/16 - 18 x 1-1/2" Lg.* | 32 | 43661 | 4 | Bolt, Hex HD. 1/4-20 x 1" Lg.* |
| 5 | 44680 | 1 | Washer, Sq. Nylon | 33 | 43013 | 20 | Nut, Hex Lock 1/4-20 Thd.* |
| 6 | 1543-69 | 1 | Washer, Nylon 21/64 | 34 | 44681 | 4 | Brush 13-1/4" |
| 7 | 44695 | 1 | Washer, Bowed | 35 | 23580 | 4 | Retainer, Brush Double Bracket |
| 8 | R19111116 | 1 | Washer, 11/32 x 11/16 | 36 | 23581 | 8 | Retainer, Brush Single Clip |
| 9 | 43720 | 1 | Knob-Wing 5/16-18 | 37 | 43012 | 8 | Bolt, Hex 1/4 x 3/4* |
| 10 | 44946 | 1 | Tube, Height Adj. | 38 | 44603 | 1 | Tube, Upper Handle |
| 11 | 23866 | 2 | Dust Cover | 39 | 44595 | 2 | Tube, Handle Leg |
| 12 | 44598 | 2 | Axle | 40 | 44683 | 1 | Rod, Bag 1/4 x 25-1/2" |
| 13 | 43070 | 4 | Washer, 3/8" Std.* | 41 | 44682 | 1 | Rod, Bag 1/4 x 28-1/2" |
| 14 | 44684 | 2 | Nut, Jam 3/8-24 Thd.* | 42 | 726-0106 | 2 | Palnut, 1/4" |
| 15 | 1038 | 2 | Nut, Lock 3/8-24 Thd.* | 43 | 44688 | 2 | Cap, Plastic 3/4" |
| 16 | 44685 | 2 | Spacer, Shoulder | 44 | 44696 | 4 | Bag, Rod Clip |
| 17 | 40007 | 4 | Washer Shim, .596 x 1.125 x .025 | 45 | 43978 | 4 | Bolt, Curved 1/4-20 x 1" Lg. |
| 18 | 716-0106 | 2 | "E"-Ring 5/8" I.D. | 46 | 1509-90 | 4 | Bolt, Hex 1/4-20 x 1-1/4" Lg.* |
| 19 | 44679 | 2 | Bearing, Flange .59 I.D. | 47 | 43088 | 4 | Washer, 1/4 Std.* |
| 20 | 44844 | 2 | Wheel Ass'y. | 49 | 44694 | 1 | Bag, Hopper |
| 21 | 741-0249 | 4 | Bearing, Flange .63 I.D. | 50 | 43662 | 4 | Hex Lock Nut #10-32 Thd. |
| 22 | 44692 | 4 | Bolt, 5/16-18 x 1/2"* | 51 | 44687 | 2 | Cap, Plastic. .207 |
| 23 | 43064 | 4 | Nut, Hex Lock 5/16-18* | | 44848 | 1 | Owner's Manual |
| 24 | 2674-32 | 2 | Cap, Hub Black | | | | |
| 25 | 43885 | 1 | Pinion, L.H. 11 T. | | | | |
| 26 | 43886 | 1 | Pinion, R.H. 11 T. | | | | |
| 27 | 1671-1 | 2 | Pawl (H.T.) | | | | |
| 28 | 44125 | 4 | Washer, Flat .62 I.D. x 1" O.D. | | | | |

*Common hardware may be purchased locally.