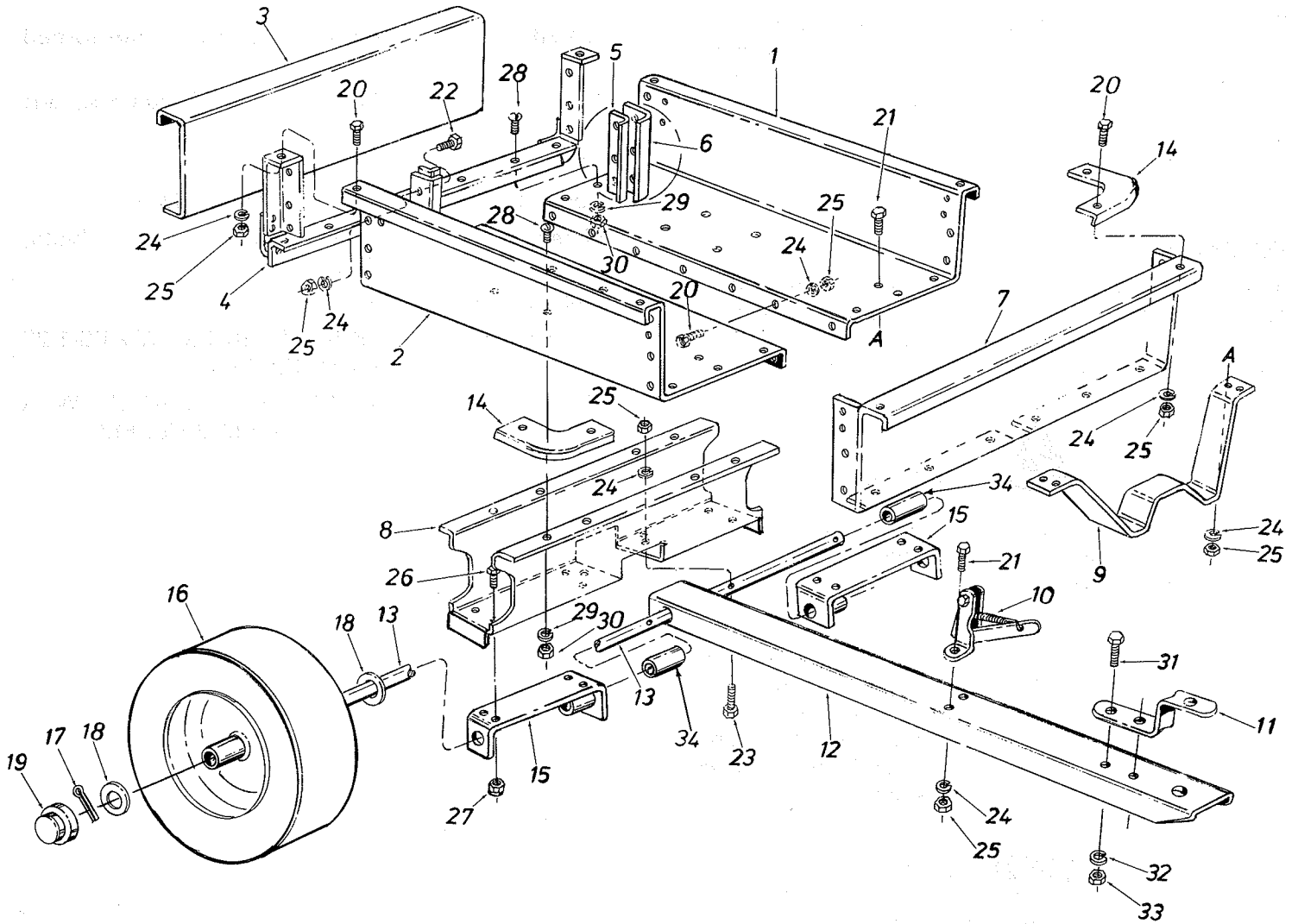


# REPAIR PARTS FOR: UTILITY CART MODEL NO. 45-0217



**PARTS LIST FOR UTILITY CART MODEL NO. 45-0217**

<b>REF. NO.</b>	<b>PART NO.</b>	<b>QTY.</b>	<b>DESCRIPTION</b>
1	23517	1	Cart Body - L.H.
2	23518	1	Cart Body - R.H.
3	23504	1	Tailgate
4	62457	1	Sub-Ass'y., Rear Angle
5	23549	2	Guide, Tailgate — Inside
6	23548	2	Guide, Tailgate — Outside
7	23490	1	Front Panel
8	23821	1	Wheel Support
9	23363	1	Latch Stand Bracket
10	62455	1	Ass'y. Latch Lock
11	23014	1	Hitch Bracket
12	23481	2	Draw Bar Tongue
13	23820	1	Wheel Axle 1" Dia.
14	23484	2	Cap, Front Corner
15	62359	2	Wheel Axle Bracket
16	43649	2	Wheel, 20 x 10-8
17	43093	2	Cotter Pin 1/8" Dia. x 1-1/2" Lg.
18	43601	4	Washer, Flat 1.032" I.D.
19	43014	2	Hub Cap
20	43175	25	Hex Bolt 1/4" x 1/2" Lg.
21	43866	6	Hex Bolt 1/4" x 5/8" Lg.
22	43012	6	Hex Bolt 1/4" x 3/4" Lg.
23	1509-69	2	Hex Bolt 1/4" x 1-3/4" Lg.
24	43177	39	Lock Washer 1/4" I.D.
25	43178	39	Hex Nut 1/4" Thread
26	43182	8	Hex Bolt 5/6-3/4" Lg.
27	43064	8	Lock Nut 5/6" Thread
28	43814	14	Slotted Truss Head Bolt 5/16" x 3/4" Lg.
29	43086	14	Lock Washer 5/16" I.D.
30	43083	14	Hex Nut 5/16" Thread
31	43001	2	Lock Washer 3/8" x 1" I.D.
32	43003	2	Lock Washer 3/8" I.D.
33	43015	2	Hex Nut 3/8" Thread
34	44678	2	Tube Spacer
	44677	1	Owner's Manual