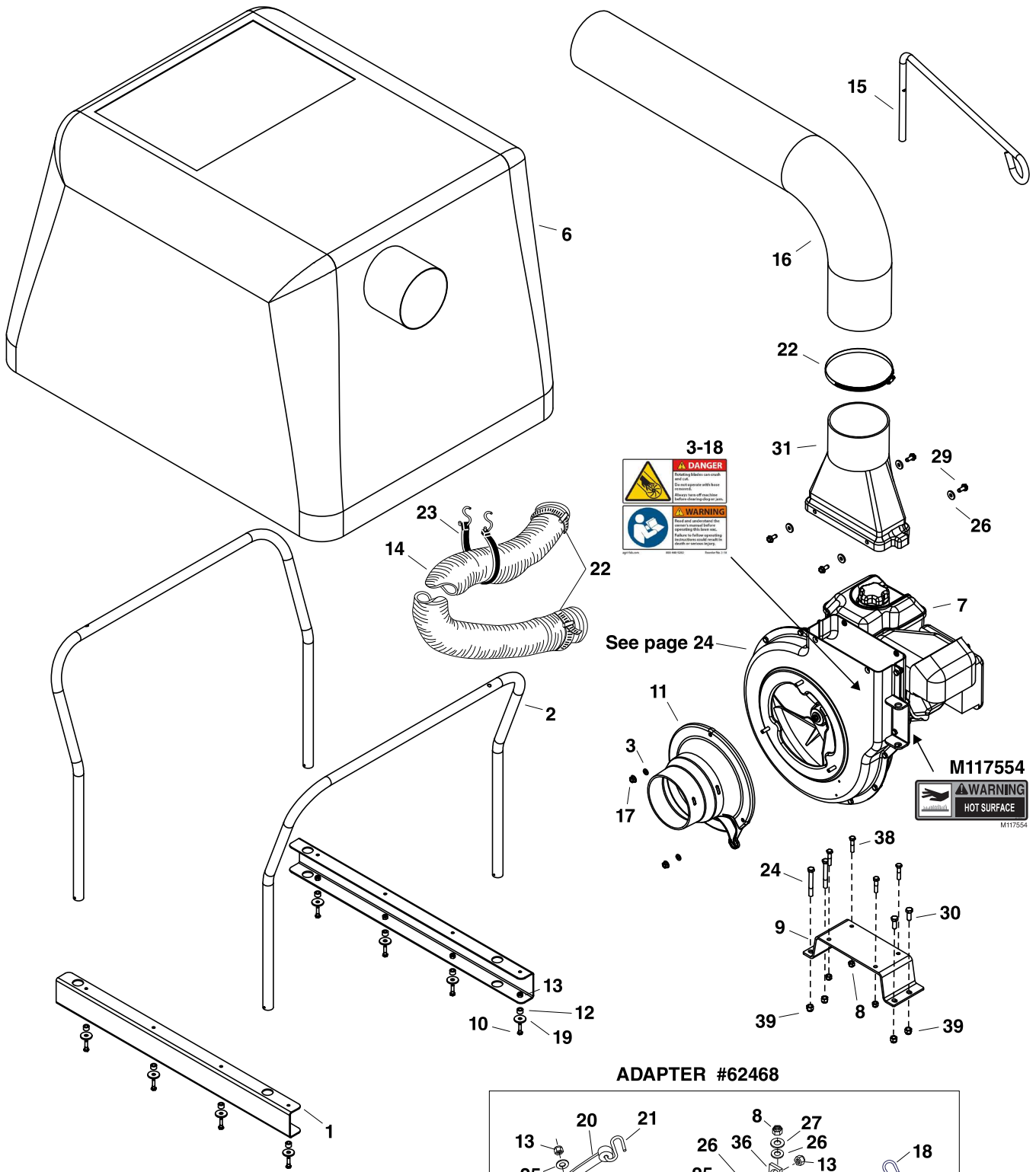


REPAIR PARTS FOR MODEL 45-05671

REF. NO.	PART NO.	QTY.	DESCRIPTION	REF. NO.	PART NO.	QTY.	DESCRIPTION
1	2-16	1	Cart Tray	15	25875BL3	2	Cart Bed Brace
2	47707	1	Handle Grip	16	25910	2	Axle Clip
3	43012	4	Hex Bolt, 1/4-20 x 3/4"	17	47189	4	Nylock Nut, 1/4-20
4	24386BL1	1	Latch Stand Plate	18	47810	9	Nylock Nut, 5/16-18
5	43182	8	Hex Bolt, 5/16-18 x 3/4"	19	R19212016	4	Washer, 5/8"
6	24908	1	Axle	20	43010	2	Cotter Pin
7	40880G	2	Wheel	21	23353	1	Hitch Pin
8	65442BL3	1	Rear Tongue	22	43001	2	Hex Bolt, 3/8-16 x 1"
9	24527BL3	1	Wheel Support	23	HA21362	5	Nylock Nut, 3/8-16
10	24497BL1	1	Latch Stand Bracket	24	43343	1	Hair Cotter Pin, 3/32"
11	25742BL3	1	Front Tongue	25	43574	3	Hex Bolt, 3/8-16 x 3"
12	27264BL1	1	Hitch Bracket	26	47407	1	Hex Bolt, 5/16-18 x 4"
13	25010BL1	1	Latch Lock Lever				
14	HA20186	1	Spring				



3-18

⚠ DANGER
 Do not touch the drum and seal.
 Do not operate with the door open.
 Do not use off-machine hoses or off-machine hoses.

⚠ WARNING
 Do not touch the drum and seal.
 Do not operate with the door open.
 Do not use off-machine hoses or off-machine hoses.

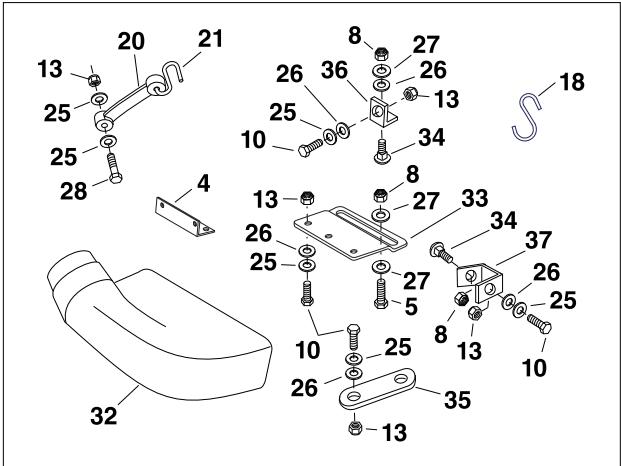
See page 24

M117554

⚠ WARNING
 HOT SURFACE

M117554

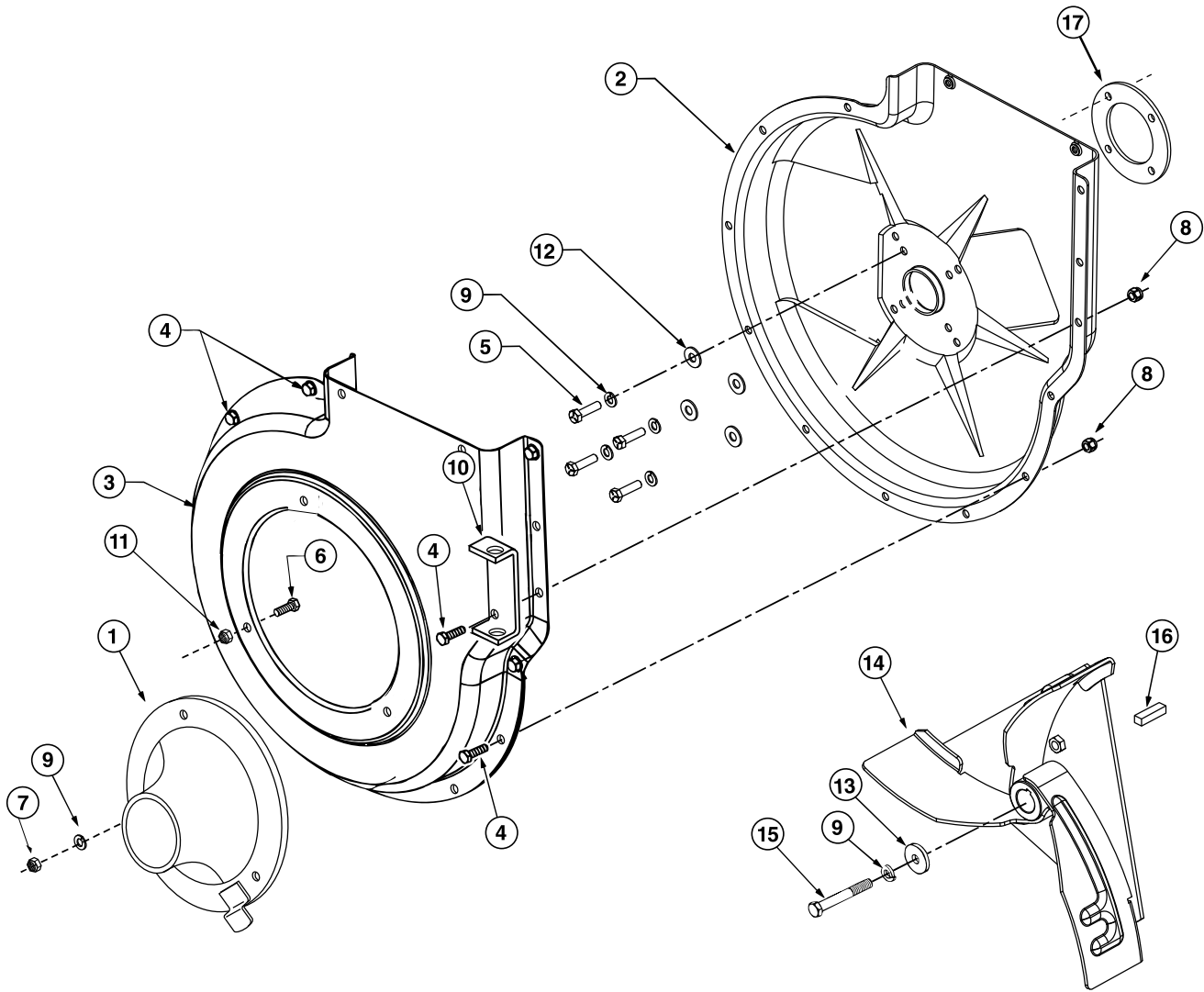
ADAPTER #62468



REPAIR PARTS FOR MODEL 45-05671

REF. NO.	PART NO.	QTY.	DESCRIPTION	REF. NO.	PART NO.	QTY.	DESCRIPTION
1	45900BL3	2	SIDE RAIL	22	43793	3	Hose Clamp
2	45901BL3	2	TUBES, SUPPORT	23	43790	1	Tarp Strap, 25"
3	43086	3	Lock Washer, 5/16"	24	43574	2	Hex Bolt, 3/8-16 x 3"
4	27304BL1	1	Bracket, Attachment	25	43088	11	Washer, 1/4" Std.
5	43840	2	Hex Bolt, 5/16-18 x 1-1/4"	26	1543-69	9	Nylon Washer
6	45902	1	Cart Cover	27	43081	10	Washer, 5/16" Std.
7	2-735	1	Engine	28	1509-90	3	Hex Bolt, 1/4-20 x 1-1/4"
8	47810	7	Nylock Nut, 5/16-18	29	47630	4	Hex Bolt, 5/16-18 x 3/4"
9	25873BL1	1	Engine Mounting Base				(Thread Forming)
10	43661	15	Hex Bolt, 1/4-20 x 1"	30	43001	2	Hex Bolt, 3/8-16 x 1"
11	43791	1	Hose Adapter	31	45916	1	Transistion Snout
12	23727	8	Spacer, .310ID X .560OD	32	43830	1	Deck Adapter
13	47189	13	Nylock Nut, 1/4-20	33	23560BL1	1	Deck Adapter Bracket
14	2-17	1	Hose (long)	34	43080	2	Carriage Bolt, 5/16" x 3/4"
15	49974BL3	1	Hose Hanger Rod	35	23825	1	Mounting Strap
16	2-18	1	Hose (short)	36	23826	1	Angle Bracket
17	49983	3	Nut, Hex 5/16 Lock	37	23827	1	Mounting Bracket
18	42749	1	"S" Hook, Large	38	43085	4	Hex Bolt, 5/16-18 x 1-1/2"
19	736-0231	8	Washer, .344 X 1.125	39	HA21362	4	Nylock Nut, 3/8-16
20	44850	2	Tarp Strap		3-312	1	Owner's Manual
21	44849	2	"S" Hook				

REPAIR PARTS LIST FOR 45-05671



REF. NO.	PART NO.	QTY.	DESCRIPTION	REF. NO.	PART NO.	QTY.	DESCRIPTION
1	43791	1	Hose Adapter	10	24958BL1	1	Hose Hanger Bracket
2	27884BL3	1	Housing Assembly, Inner	11	46584	3	Hex Nut, Whizlock 5/16-18
3	24633BL3	1	Housing Assembly, Outer	12	43081	4	Washer, 5/16" Std.
4	43182	12	Hex Bolt, 5/16-18 x 3/4"	13	42828	1	Washer
5	47600	4	Hex Bolt, 5/16-24 x 1"	14	68669	1	Impeller Assembly
6	43063	3	Hex Bolt, 5/16-18 x 1"	15	45417	1	Hex Bolt, 5/16-24 x 1-3/4"
7	49983	3	Nut, Hex 5/16" Lock	16	HA11154	1	Key, 3/16" Sq. x 1.75"
8	47810	12	Nylock Nut, 5/16-18	17	28046BL1	1	Spacer, Inner Housing
9	43086	8	Lock Washer, 5/16"				