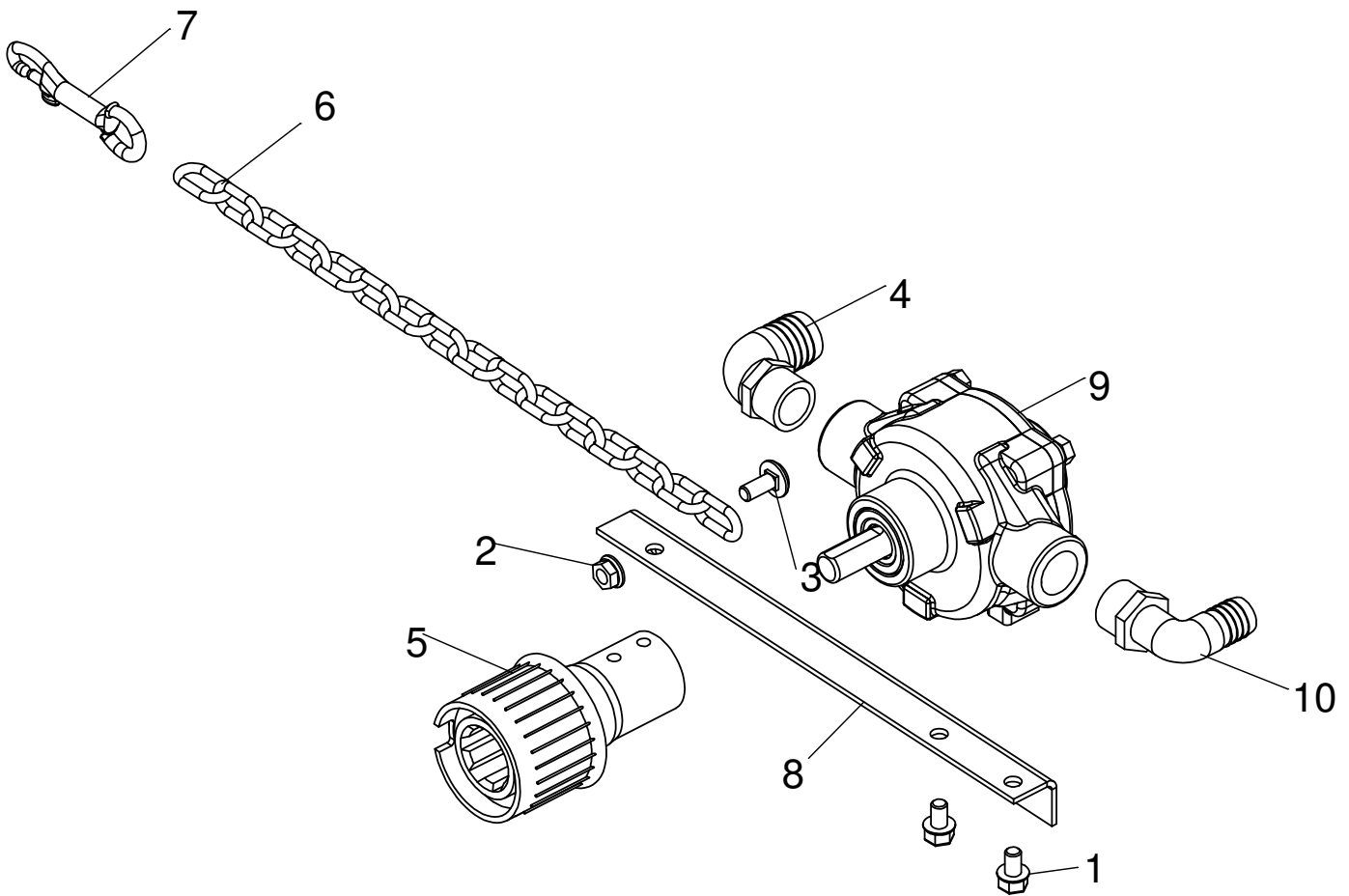


7 Roller PTO Pump



| ITEM NO. | PART NUMBER | DESCRIPTION | QTY. | Note |
|----------|-------------|-----------------------------|------|------|
| 1 | N167649 | 5/16" x 1/2" Flange Bolt | 2 | |
| 2 | A22698 | 5/16" Flange Nut | 1 | |
| 3 | 03H1540 | 5/16" x 3/4" Carriage Bolt | 1 | |
| 4 | 5CS43638 | Elbow 3/4" MP - 1" barb | 1 | |
| 5 | 5CS43787 | PTO Quick Connect Adapter | 1 | |
| 6 | 5CS50268 | Chain 2/0 - 1.5 ft | 1 | |
| 7 | 5CS43650 | Chain Latch | 1 | |
| 8 | 5CS43622 | Pump Mount Angle | 1 | |
| 9 | 5CS43786 | Pump Cast 7 Roller | 1 | |
| 9 | 5CS43788 | Pump Silver Series 7 Roller | 1 | |
| 10 | 5CS43633 | Elbow 3/4" MP - 3/4" barb | 1 | |