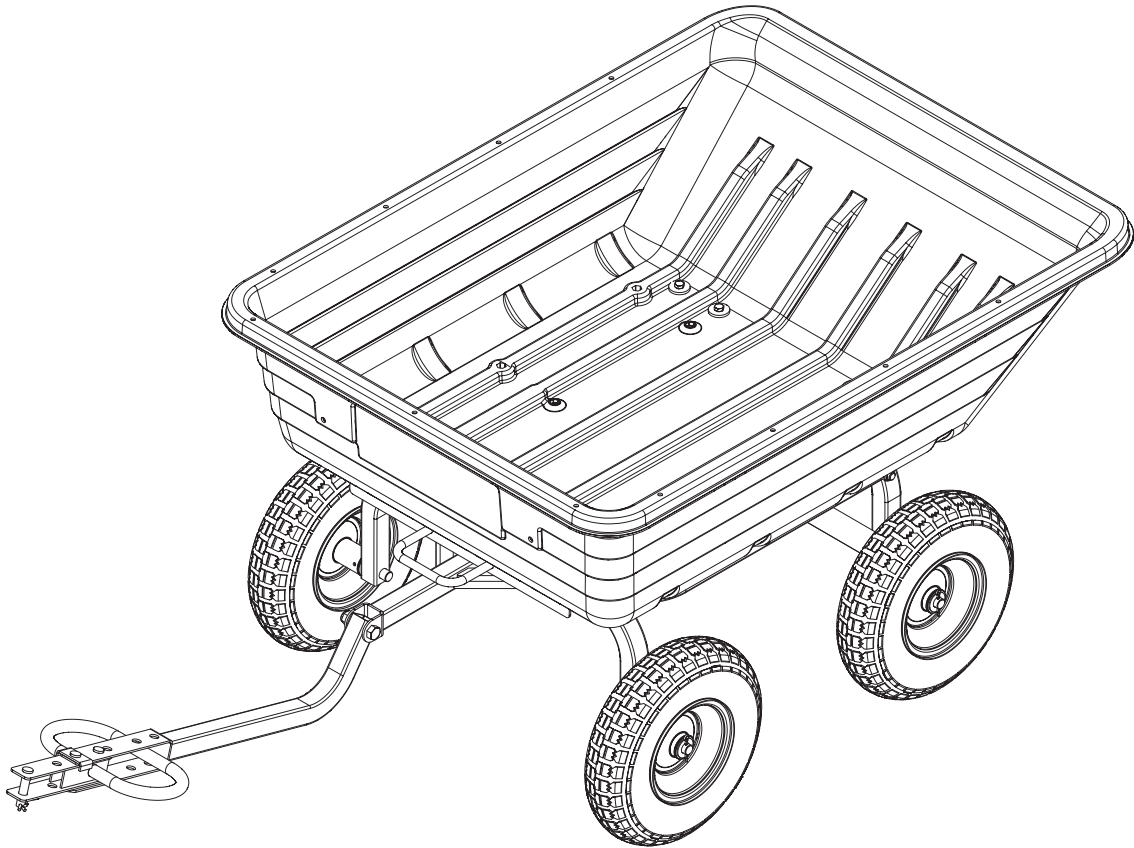


Agri+Fab[®]

Lawn Care Made Easy[®]



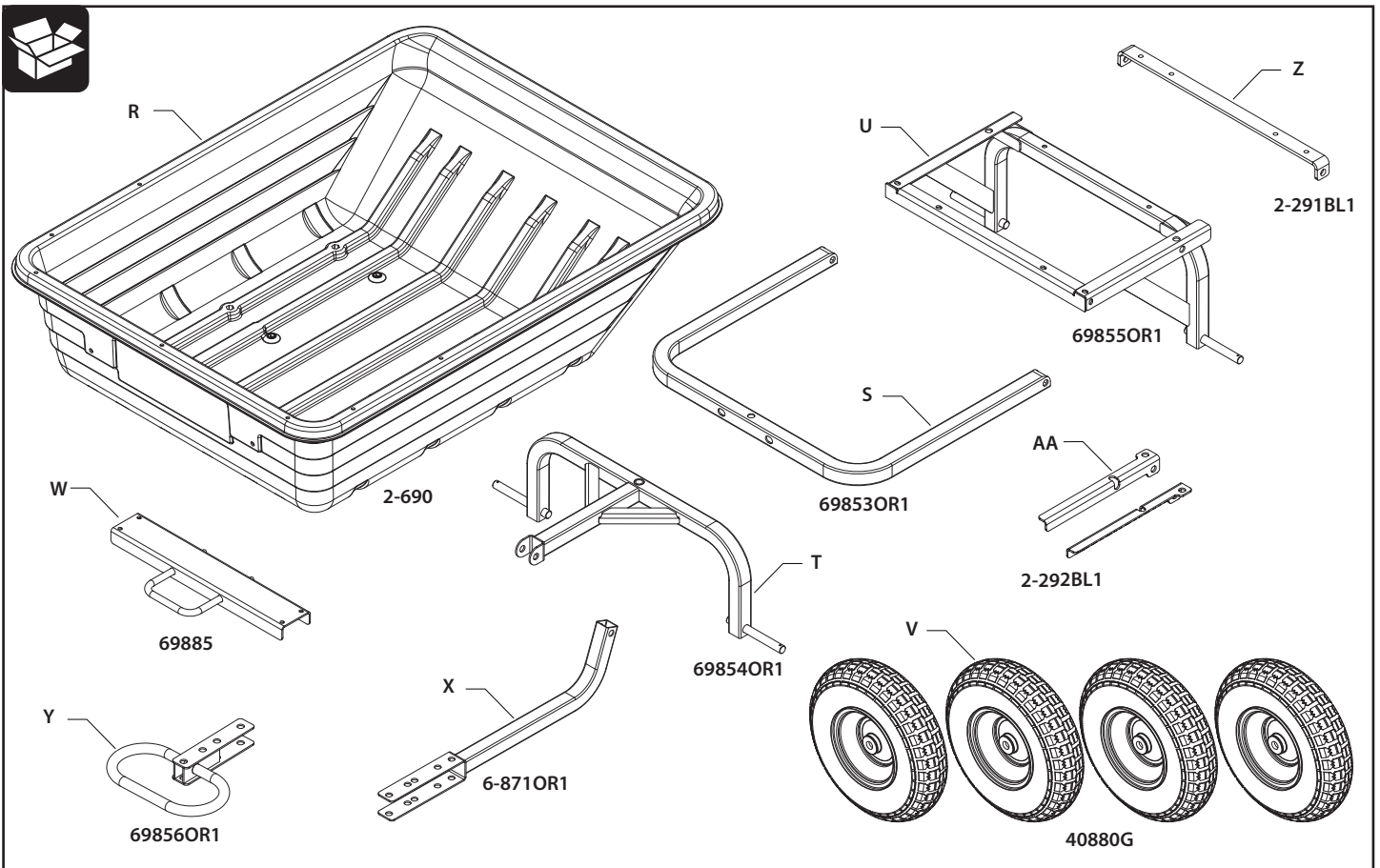
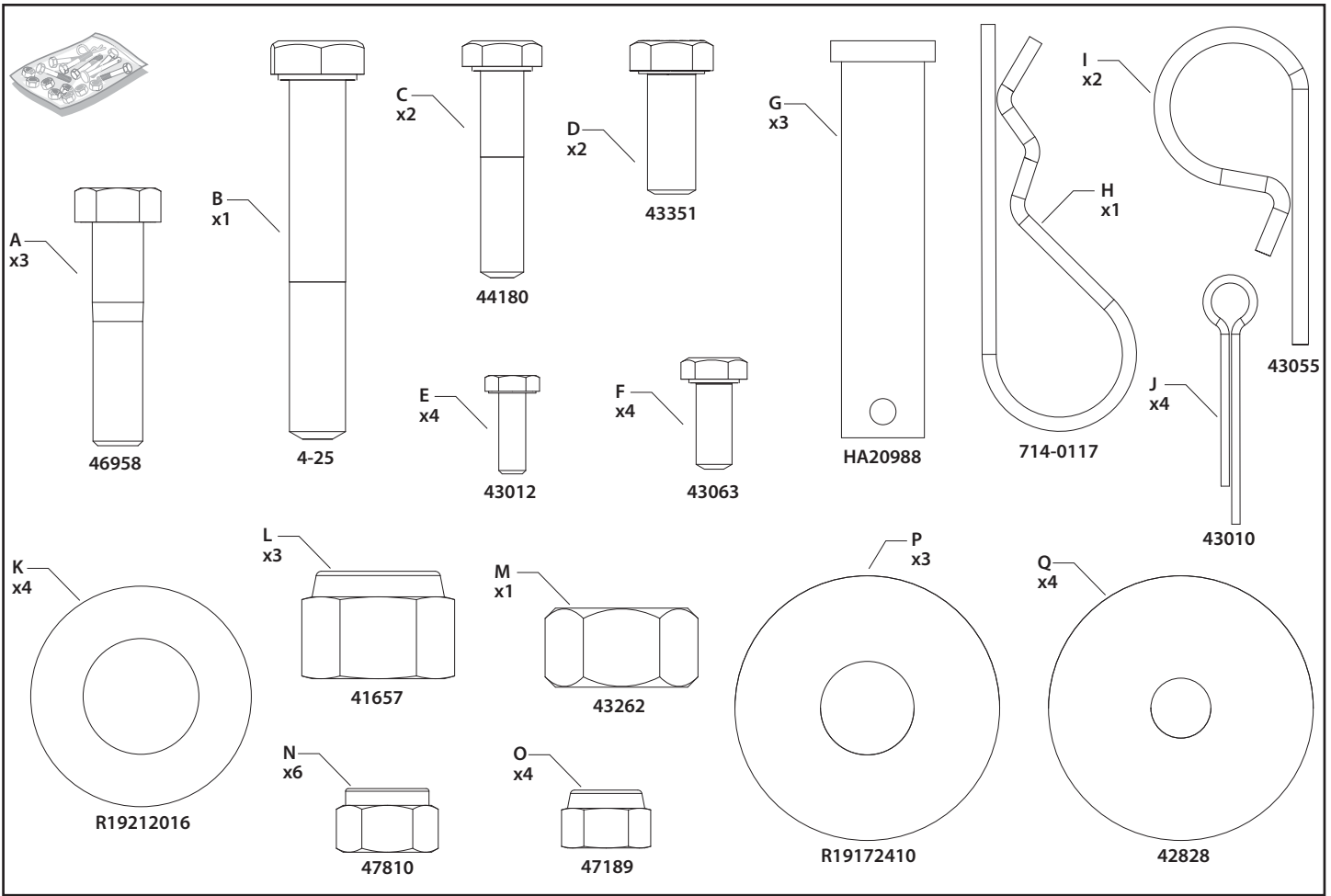
45-0594

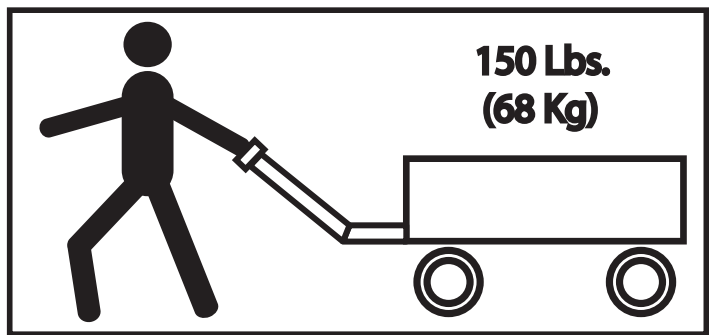
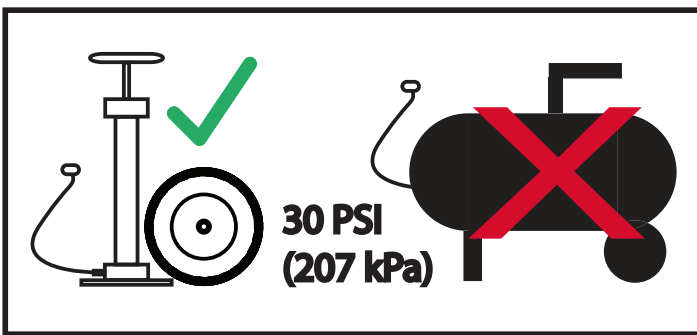
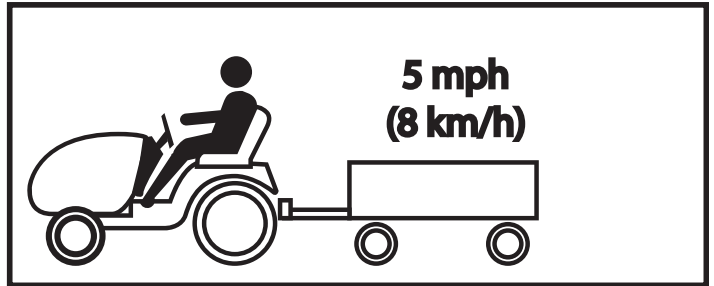
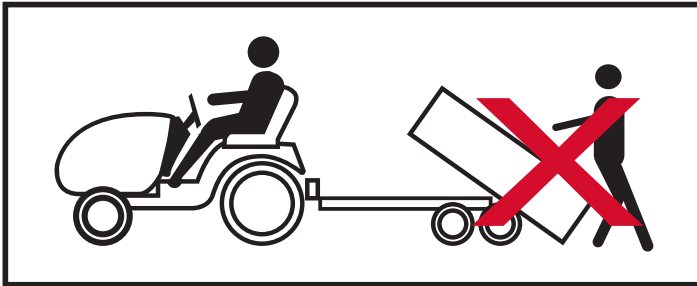
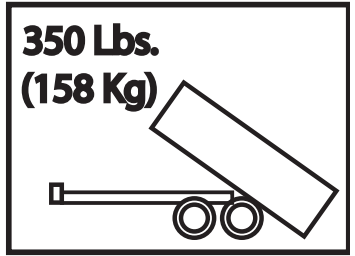
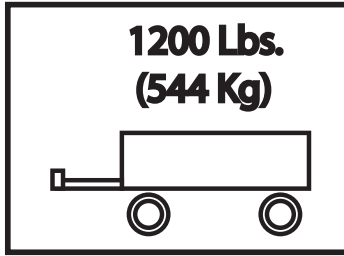
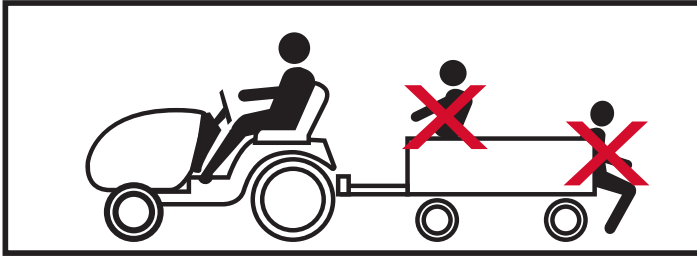
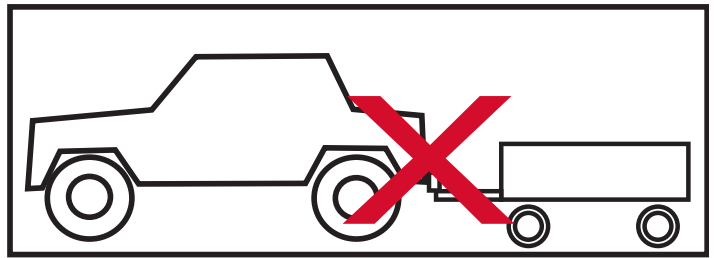
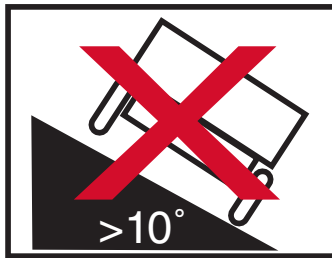
Want more information or assembly tips?



**Video
Instruction
Guide**

[youtube.com/c/agrifab](https://www.youtube.com/c/agrifab)





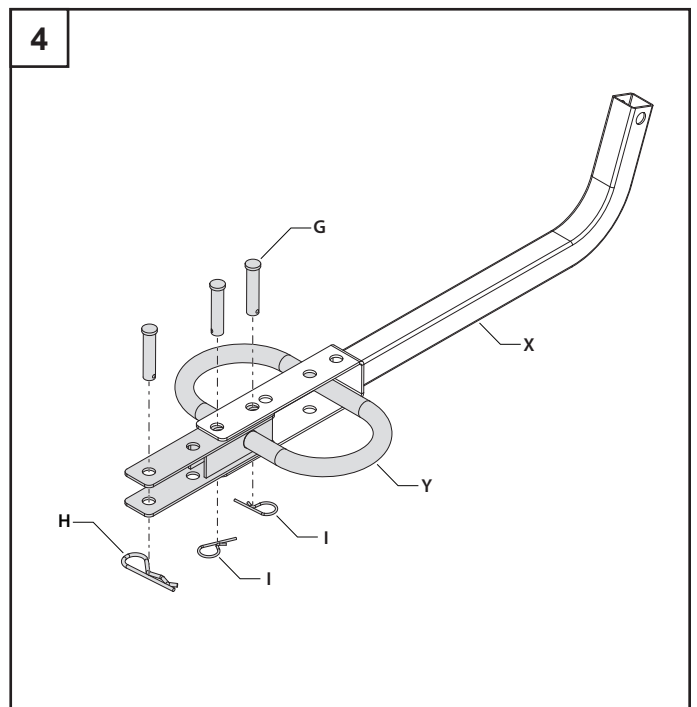
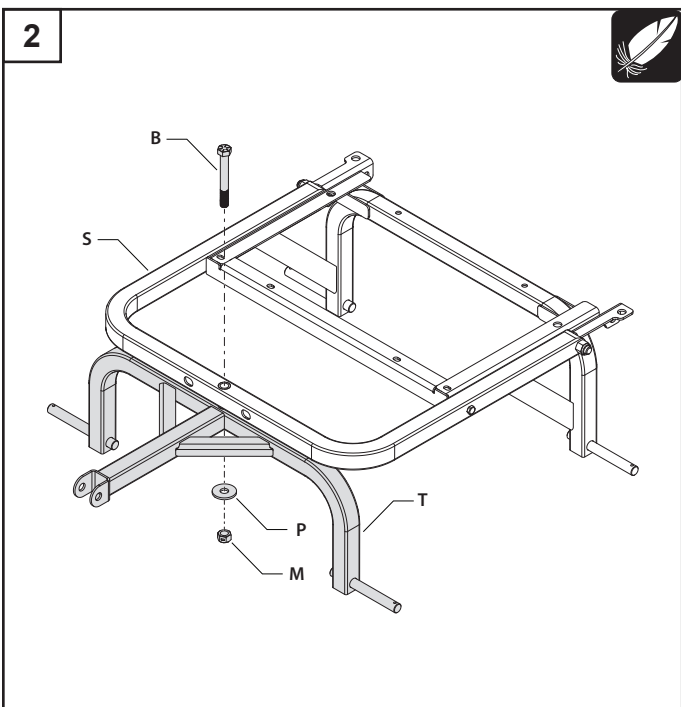
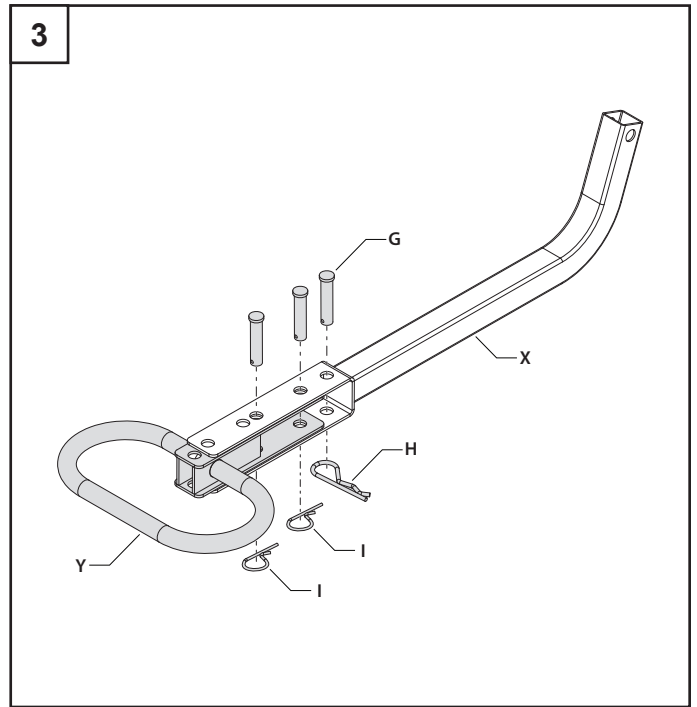
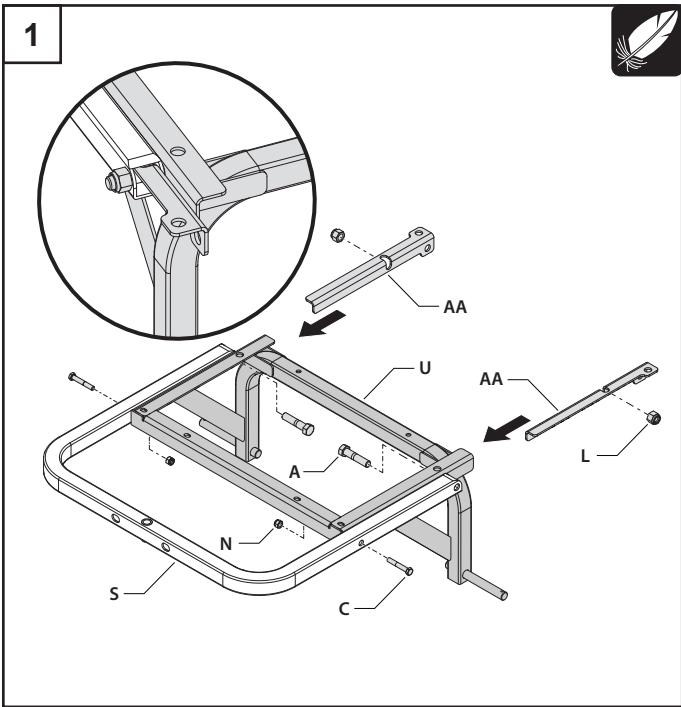
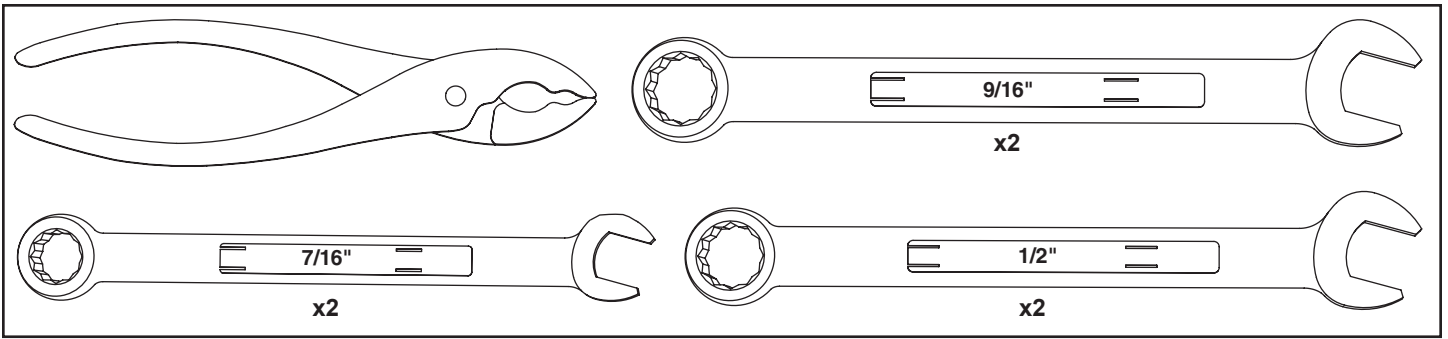
 WARNING	 ¡ATENCIÓN!	 ATTENTION
<ol style="list-style-type: none"> DO NOT CARRY PASSENGERS DO NOT EXCEED MAXIMUM TOWING SPEED NOT FOR HIGHWAY USE DO NOT EXCEED LOAD CAPACITY STAY OFF STEEP SLOPES AND GRADES VEHICLE BRAKING AND STABILITY WILL BE AFFECTED BY HEAVY LOADS REFER TO MANUAL FOR FULL INSTRUCTIONS 	<ol style="list-style-type: none"> NO CARGUE PASAJEROS NO EXCEDA LA VELOCIDAD MÁXIMA DE REMOLQUE NO USE EN LA CARRETERA NO EXCEDA LA CAPACIDAD DE CARGA DE LA CARRETILLA EVITE LAS SUBIDAS Y BAJADAS EMPINADAS LA HABILIDAD DE FRENAR Y LA ESTABILIDAD SERÁN AFECTADAS CON CARGAS MAYORES VEA EL MANUAL PARA LAS INSTRUCCIONES COMPLETAS 	<ol style="list-style-type: none"> NE PAS TRANSPORTER DE PASSAGERS NE PAS DÉPASSER LA VITESSE MAXIMALE DU REMORQUAGE NE PAS UTILISER L'AUTOROUTE NE PAS DÉPASSER LA CAPACITÉ DE CHARGE GARDER LES PISTES ET LES GRADES LE FREINAGE ET LA STABILITÉ DU VÉHICULE SERONT TOUCHÉS PAR DES CHARGES LOURDES CONSULTEZ LE MANUEL POUR DES INSTRUCTIONS COMPLÈTES
  		

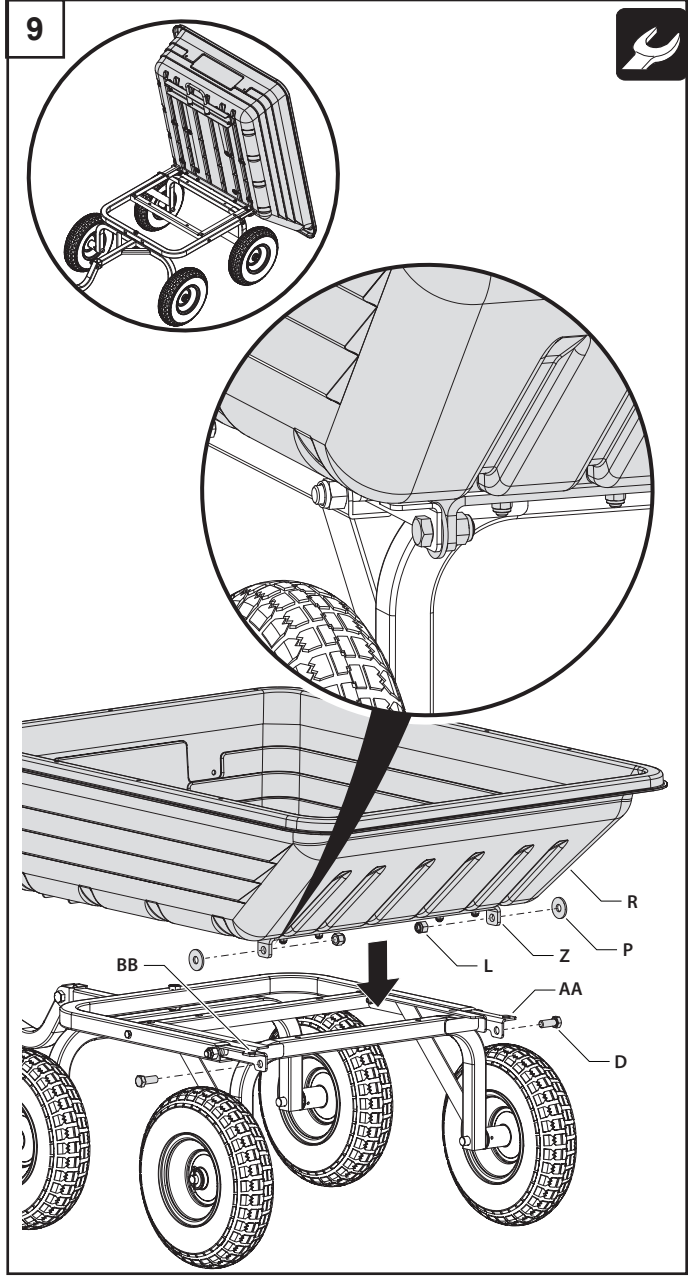
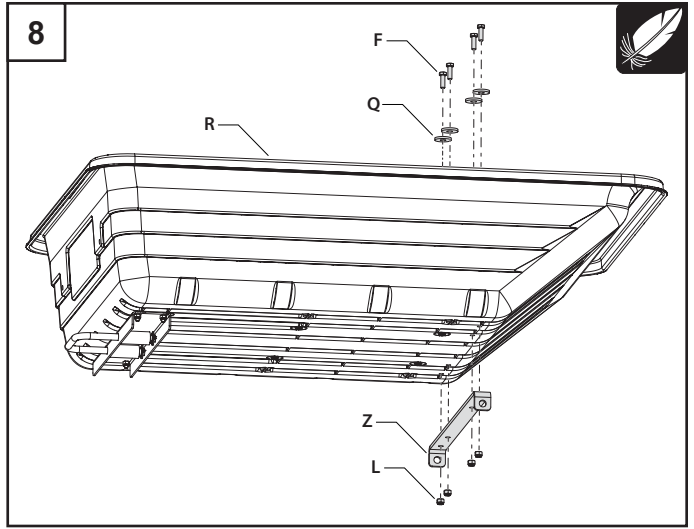
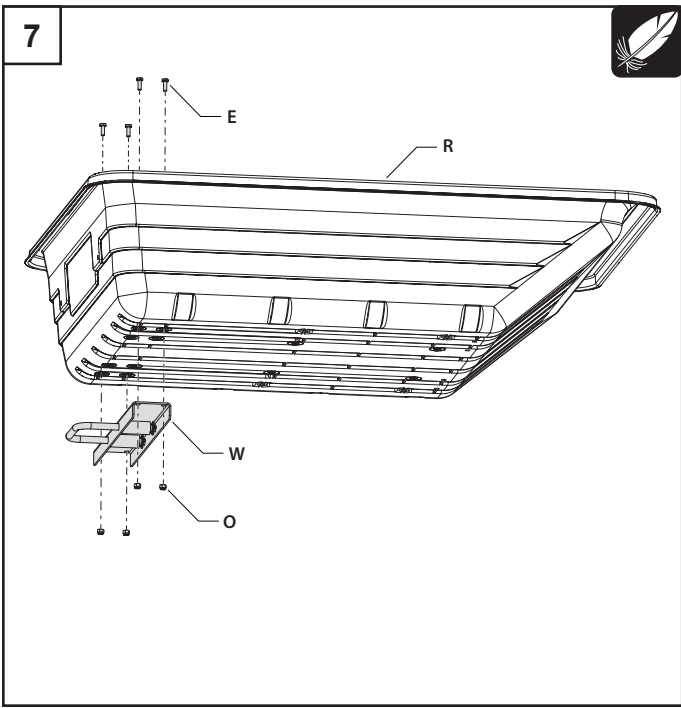
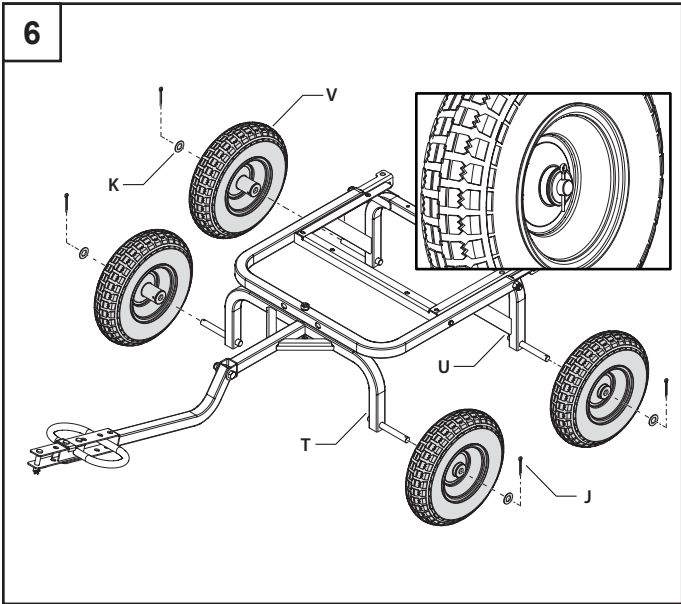
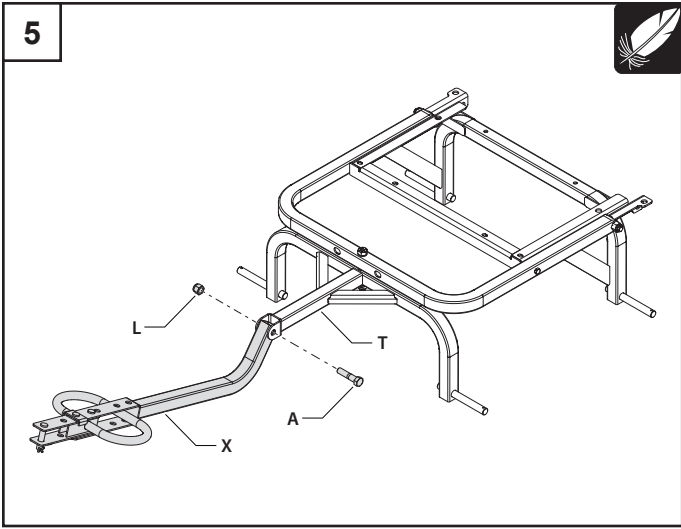
46991

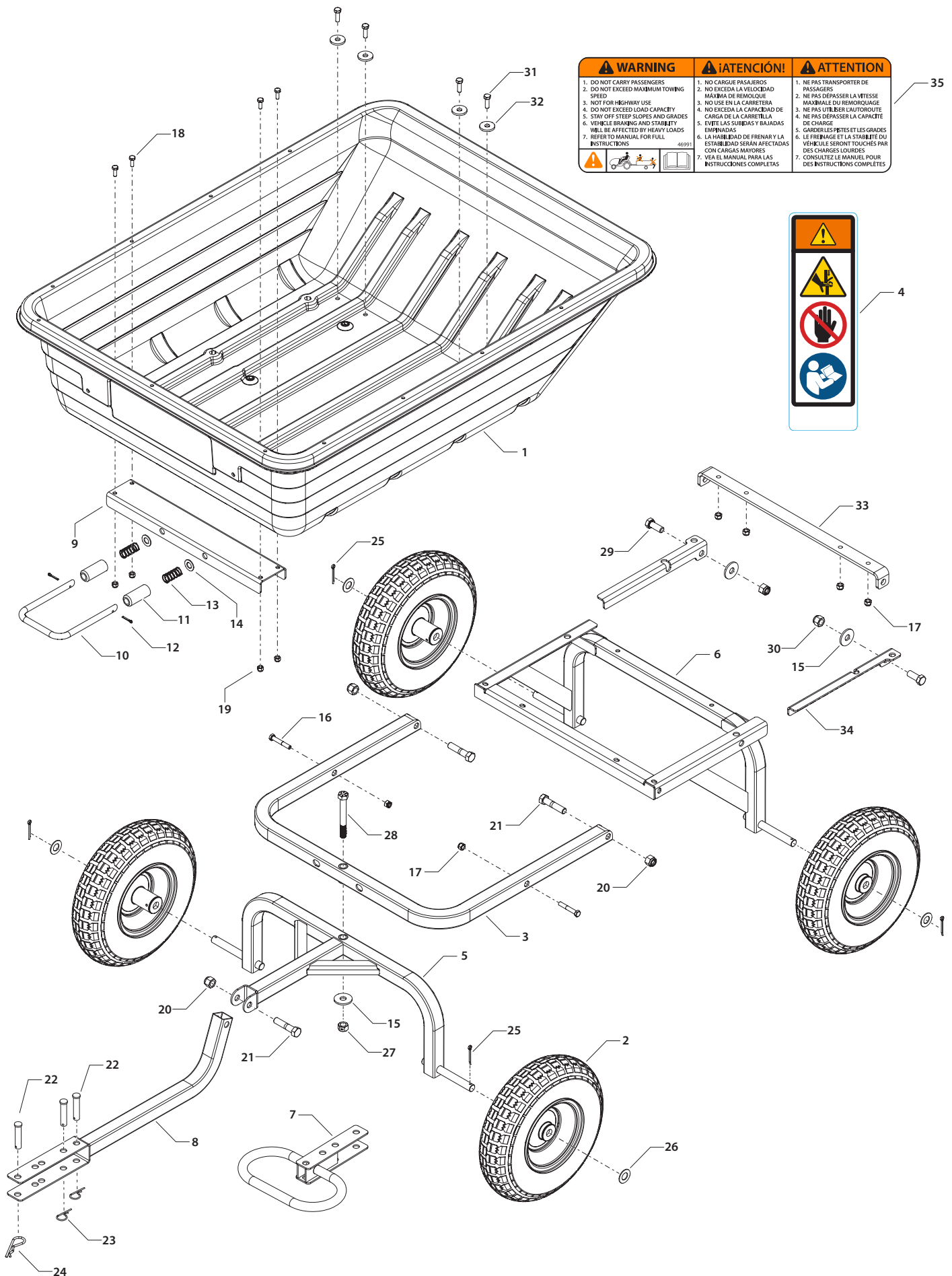





agri-fab.com
800-448-9282
Reorder No. 3-72







WARNING	¡ATENCIÓN!	ATTENTION
1. DO NOT CARRY PASSENGERS	1. NO CARGUE PASAJEROS	1. NE PAS TRANSPORTER DE PASSAGERS
2. DO NOT EXCEED MAXIMUM TOWING SPEED	2. NO EXCEDA LA VELOCIDAD MÁXIMA DE REMOLQUE	2. NE PAS DÉPASSER LA VITESSE MAXIMALE DU REMORQUAGE
3. NOT FOR HIGHWAY USE	3. NO USE EN LA CARRETERA	3. NE PAS UTILISER LAutoroute
4. DO NOT EXCEED LOAD CAPACITY	4. NO EXCEDA LA CAPACIDAD DE CARGA DE LA CARRETERA	4. NE PAS DÉPASSER LA CAPACITÉ DE CHARGE
5. STAY OFF STEEP SLOPES AND GRADES	5. EVITE LAS SUBIDAS Y BAJADAS EMPINADAS	5. GARDER LES PENTES ET LES GRADES
6. VEHICLE BRAKING AND STABILITY WILL BE AFFECTED BY HEAVY LOADS	6. LA HABILIDAD DE FRENAR Y LA ESTABILIDAD SERÁN AFECTADAS CON CARGAS MAYORES	6. LE FREINAGE ET LA STABILITÉ DU VEHICULE SERONT TOUCHÉS PAR DES CHARGES LOURDES
7. REFER TO MANUAL FOR FULL INSTRUCTIONS	7. VER EL MANUAL PARA LAS INSTRUCCIONES COMPLETAS	7. CONSULTEZ LE MANUEL POUR DES INSTRUCTIONS COMPLETES

45-0594

REF	QTY	PART NO	DESCRIPTION	REF	QTY	PART NO	DESCRIPTION
1	1	2-690	TRAY, SMALL POLY W/HOLES	19	4	47189	NUT, HEX 1/4-20 NYLOC
2	4	40880G	WHEEL, 13 X 4 (5/8" ID) GRAY	20	3	41657	NUT, HEX 1/2-13 NYLOCK
3	1	69853OR1	ASS'Y, FRAME	21	3	46958	BOLT, HEX 1/2-13 X 2-1/2 GR5
4	3	3-72	LABEL, PINCH POINT	22	3	HA20988	PIN, CLEVIS 1/2 X 2-1/4
5	1	69854OR1	ASS'Y, FRONT AXLE	23	2	43055	PIN, HAIR 3/32 X 1.8
6	1	69855OR1	ASS'Y, REAR AXLE	24	1	714-0117	PIN, HAIR COTTER 5/32 X 3
7	1	69856OR1	ASS'Y, HITCH HANDLE	25	4	43010	PIN, COTTER 1/8 X 1-1/4
8	1	6-871OR1	ASS'Y, HITCH TUBE WLD	26	4	R19212016	WASHER, .656 X 1.25 X .059
9	1	28722OR1	CHANNEL, LATCH	27	1	43262	NUT, HEX 1/2-13 LOCK
10	1	28702	PIN, LATCH	28	1	4-25	BOLT, HEX 1/2-13 X 4 GR8
11	2	28706	SPACER, LATCH	29	2	43351	BOLT, HEX 1/2-13 X 1-1/4 GR5
12	2	142	PIN, COTTER 1/8 X 3/4	30	2	41657	NUT, HEX 1/2-13 NYLOCK
13	2	48905	SPRING, .72ODX1.5	31	4	43063	BOLT, HEX 5/16-18 X 1 G5
14	2	R19171616	WASHER, .531 X 1 X .059	32	4	42828	WASHER, .41 X 1.25 X .156
15	3	R19172410	WASHER, .531 X 1.5 X .134	33	1	2-291BL1	BRACKET, DUMP
16	2	44180	BOLT, HEX 5/16-18 X 2 GR5	34	2	2-292BL1	BRACKET, CHANNEL
17	6	47810	NUT, HEX .312-18 NYLOC	35	1	46991	LABEL, "LOADING CAUTION"
18	4	43012	BOLT, HEX 1/4-20 X 3/4 GR5		1	3-257	OWNERS MANUAL

SpeedPart *the fastest way to purchase parts* www.speedepart.com

REPAIR PARTS

Agri-Fab, Inc.
809 South Hamilton
Sullivan, IL. 61951
217-728-8388
www.agri-fab.com