

OPERATOR'S MANUAL

5 cu ft Drop Spreader

45-0592 and 45-0593

04/05/22

For your safety, please read and save all safety and operating instructions prior to using equipment.

Safety

Read Safety in Machine Operator's Manual

Read the general safety operating precautions in your machine operator's manual for additional safety information.

Operating Safely

- Read the machine and attachment operator's manual carefully. Be thoroughly familiar with the controls and the proper use of the equipment. Know how to stop the machine and disengage the controls quickly.
- Do not modify machine or safety devices. Unauthorized modifications to the machine or attachment may impair its function and safety.
- Do not let children or an untrained person operate machine.
- Make any necessary adjustments before you operate. Never attempt to make any adjustments while the engine is running, unless if recommended in adjustment procedure.
- Look behind machine before you back up. Back up carefully.
- Do not let anyone, especially children, ride on machine or attachment. Riders are subject to injury such as being struck by foreign objects and being thrown off. Riders may also obstruct the operator's view, resulting in the machine being operated in an unsafe manner.
- Disengage any power to the attachment when the machine is transported or not in use.
- Never exceed 15 mph when loaded spreader is attached to vehicle. Braking distances may be reduced and handling characteristics may be impaired at speeds above 15 mph.
- Never use wet materials or materials with foreign debris in the spreader. This unit is designed to spread dry, clean, free-flowing material.
- Never leave material in hopper when not in use.

Practice Safe Maintenance

- Only qualified, trained adults should service this machine.
- Understand service procedure before doing work. Keep area clean and dry.
- Do not operate the engine in a confined space where dangerous carbon monoxide fumes can collect.

- Never lubricate, service or adjust the machine or attachment while it is moving. Keep safety devices in place and in working condition. Keep hardware tight.
- Keep hands, feet, clothing, jewelry, and long hair away from any moving parts, to prevent them from getting caught.
- Lower any attachment completely to the ground or to an existing attachment mechanical stop before servicing the attachment. Disengage all power and stop the engine. Lock park brake and remove the key. Let machine cool.
- Disconnect battery or remove spark plug wire (for gasoline engines) before making any repairs.
- Before servicing machine or attachment, carefully release pressure from any components with stored energy, such as hydraulic components and springs.
- Release hydraulic pressure by lowering attachment or cutting units to the ground or to a mechanical stop and move hydraulic control levers.
- Securely support any machine or attachment elements that must be raised for service work. Use jack stands or lock service latches to support components when needed.
- Never run engine unless park brake is locked.
- Keep all parts in good condition and properly installed. Fix damage immediately. Replace worn or broken parts. Replace all worn or damaged safety and instruction decals.
- Check all hardware at frequent intervals to be sure the equipment is in safe working condition.
- Do not modify machine or safety devices. Unauthorized modifications to the machine or attachments may impair its function and safety.



Wear Appropriate Clothing

- Always wear eye protection when operating the machine.
- Wear close fitting clothing and safety equipment appropriate for the job.
- Wear a suitable protective device such as earplug. Loud noise can cause impairment or loss of hearing.

Safety

Read Chemical Container Label

- Chemicals can be dangerous. Improper selection or use can injure persons, animals, plants, soils or other property. Select the right chemical for the job and handle and apply with care.
- Read the instructions, precautions, and warnings on the container label before opening. Use the product strictly according to label directions for specific applications, in the amounts specified, at the times specified and only when needed.
- Keep the container closed tightly except when preparing the mix.
- Do not remove labels from chemical containers. Store all chemicals in their original containers.
- Do not mix chemicals unless stated on the container label.
- Store chemicals when not in use according to the container label.

Handle Chemical Products Safely

- Direct exposure to hazardous chemicals can cause serious injury. Potentially hazardous chemicals used with equipment include pesticides, herbicides and fungicides.
- A Material Safety Data Sheet (MSDS) provides specific details on chemical products: Physical and health hazards, safety procedures, and emergency response techniques.
- The MSDS should be obtained from the chemical dealer at the time of the chemical purchase.
- Check the MSDS before beginning any job using a hazardous chemical. Know exactly what the risks are and how to do the job safely. Always wear recommended personal protection equipment.

Handling Waste Product and Chemicals

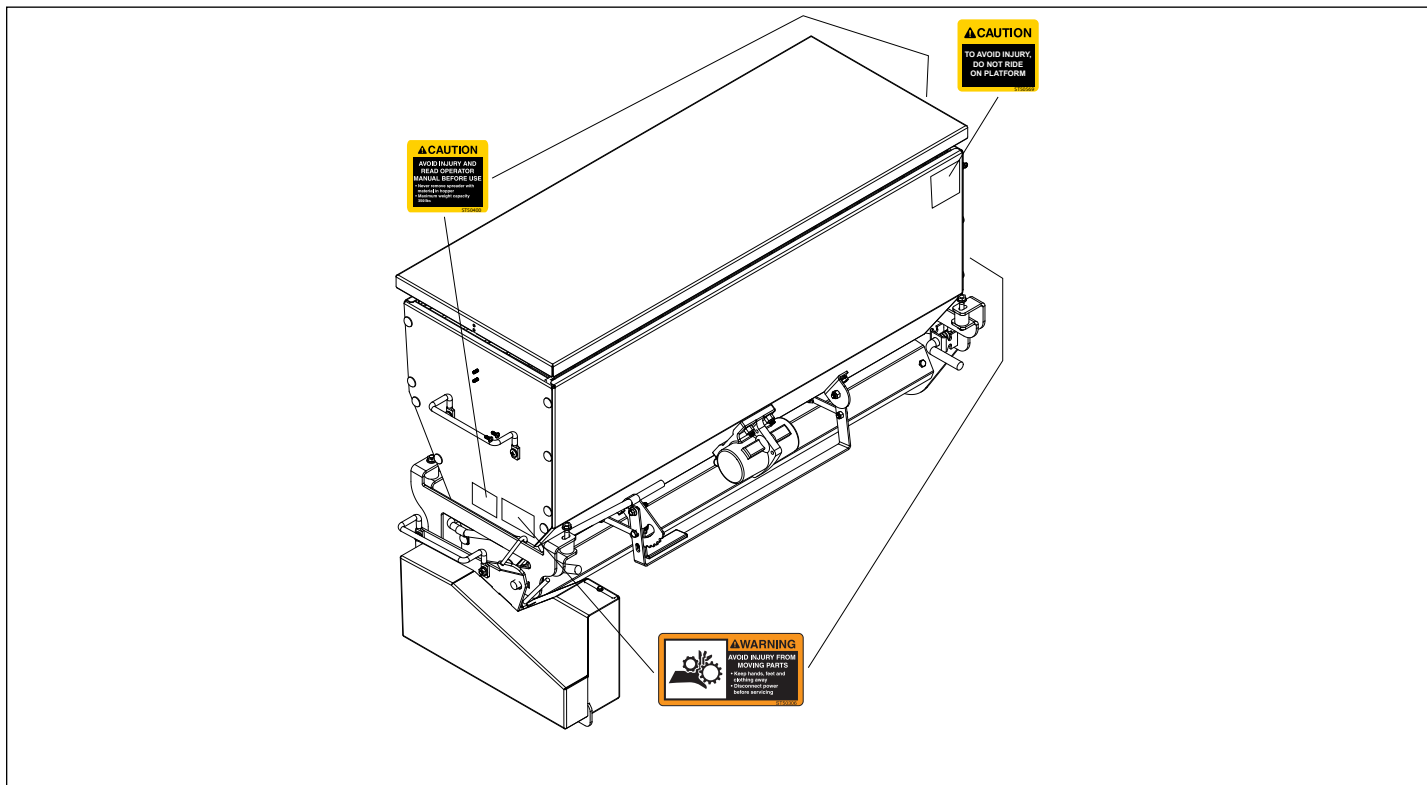
Waste products, such as, used oil, fuel, coolant, brake fluid, and batteries, can harm the environment and people:

- Do not use beverage containers for waste fluids - someone may drink from them.
- See your Recycling Center or authorized dealer to learn how recycle or get rid of waste products.
- A Material Safety Data Sheet (MSDS) provides specific details on chemical products: Physical and health hazards, safety procedures, and emergency response techniques. The seller of the chemical products used with your machine is responsible for providing the MSDS for that product.

Safety

Safety Labels

Safety Label Location



Understanding The Machine Safety Labels



The machine safety labels shown in this section are placed in important areas on your machine to draw attention to potential safety hazards.

On your machine safety labels, the words DANGER, WARNING, and CAUTION are used with this safety-alert symbol. DANGER identifies the most serious hazards.

The operator's manual also explains any potential safety hazards whenever necessary in special messages that are identified with the word, CAUTION, and the safety-alert symbol.

Replace missing or damaged safety labels. Use this operator's manual for correct safety label placement.

There can be more safety information contained on parts and components sourced from suppliers that is not reproduced in this operator's manual.

French or Spanish Safety Labels and Operator's Manual

Operator's manuals and safety labels with content in French or Spanish are available for this machine through authorized John Deere dealers.

Warning

Avoid Injury From Moving Parts



- Keep hands, feet and clothing away
- Disconnect power before servicing

Safety Labels

Caution

Avoid Injury and Read Operator Manual Before Use



- Never remove spreader with material in hopper
- Maximum weight capacity 350 lb.

Caution

To Avoid injury, do not ride on platform

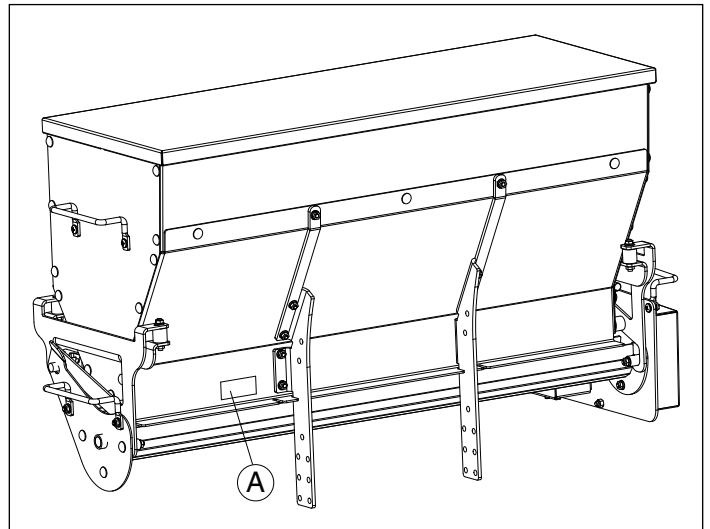


Parts in Kit

Qty	Description
1	Spreader

Wiring Kit

Qty	Description
1	Display
1	Battery Harness
1	Extension Harness
1	Display Harness
1	Mounting Bracket
1	P Clamp



The serial number label (A) is located on the lower front right side as shown above.

Machine Requirements

2" Receiver

Maximum drop spreader weight is 540 lbs. Vehicle's receiver hitch must be rated accordingly to prevent damage to vehicle and drop spreader.

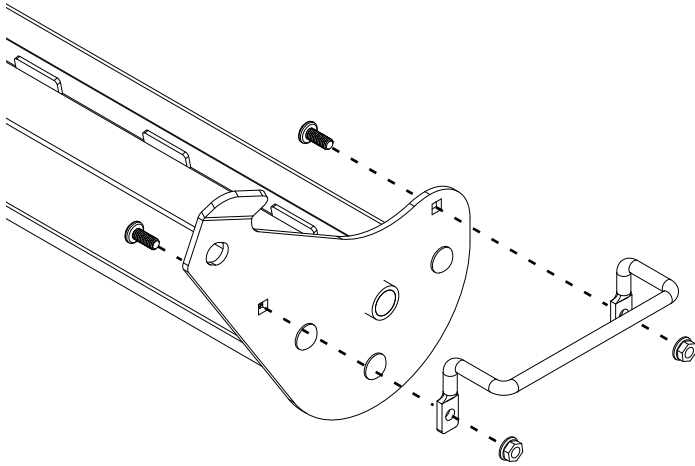
3 Point Hitch

Requires category 1 three point hitch. If no front attachment is installed on vehicle, ballast may be required to stabilize vehicle. Refer to vehicle manual for proper ballasting.

Installing

Install Handle

1. Locate handle and hardware inside the parts bag
2. Attach handle to outside of Auger tray with the bolts inserted from the inside and flange nuts on the outside as shown in Figure 1
3. Tighten hardware using $\frac{1}{2}$ " wrench or socket



Locate a 12V signal / circuit that is behind the key switch (only powered when the key is turned to run or acc). Route the single wire in the display harness to this location and secure to the vehicle along the way with wire ties. Extra harness can be removed or coiled and secured with wire ties. Connect the single wire to the circuit using a suitable connection. A wire splice is included in the kit for convenience.

Mount Spreader to Vehicle

Mount the spreader to the 3 point hitch or 2" receiver.

Use the handles located on the hopper side panels to lift into position and secure in place. It is recommended that 2 people lift the spreader into place.

Connect the 2 connectors on the harness attached to the spreader to the free end of the extension harness and display harness.

Install Display and Wiring

Mount display in a location that is convenient for the operator using either the included bracket, p-clamps or M5 screws and washers.

Starting at the battery, connect the ring terminals on the battery harness to the battery (red positive, black negative). Connect extension harness to the battery harness and route the extension harness towards the 3 point hitch or 2" receiver securing the harness to the vehicle along the way. ensure the harness does not contact any moving or high temperature components. Secure the connector on the free end of the extension harness in the convenient location that is easily accessible in order to connect/disconnect the spreader. Coil any extra harness and secure with wire ties.

Connect the circular connector on the display harness to the rear of the display. Hand tighten until is fully seated. DO NOT over tighten/ DO NOT cross thread. Route the display harness to the same location as the free end of the extension harness. Coil any extra harness and secure with wire ties.

Operation

Spreader Feature

Auger Reverse/Jam Clear
Error Message/Diagnostics
Vibratory motor for improved material flow
Variable Speed Auger
Adjustable gate for precise material application

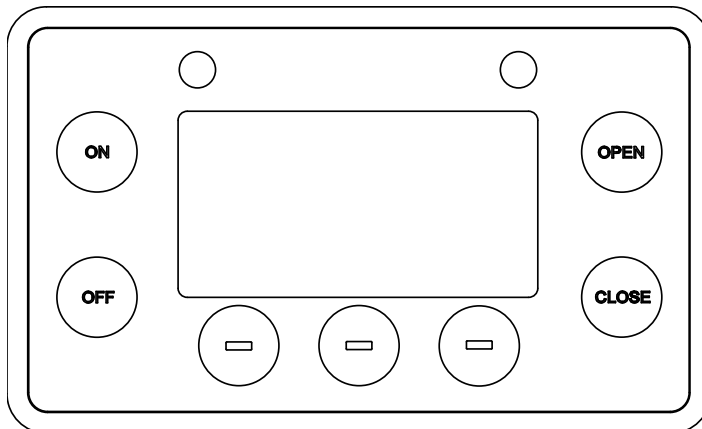
Turning On Display



The vehicle key must be in the “On” or “Run” position for the display to turn on.

When turned on, a splash screen will appear as the software loads. The operation page will appear when loading is complete. The spreader is now ready to operate.

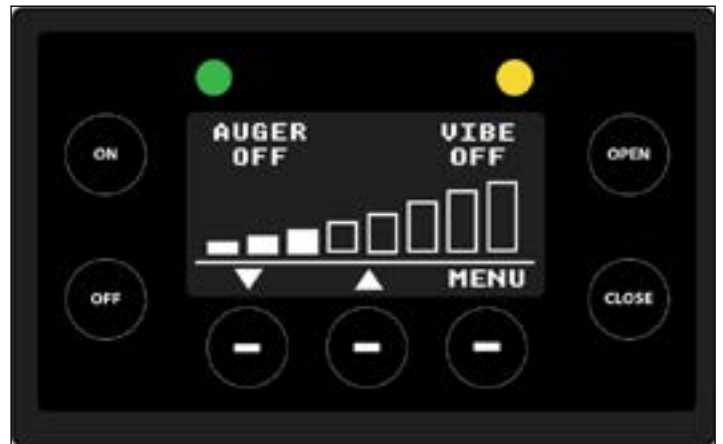
Navigation

Control the spreader using the buttons on the display. Button functionality is described in the table below and varies by screen.



Button #	Button Functions		
1	ON	Spinner/ Auger On	Press the “ON” button to turn on the auger.
2	OFF	Spinner/ Auger Off	Press the “OFF” button to turn off the auger.
3	OPEN/ ON	Gate Open/ Vibe ON	Press the OPEN/ON button to turn on the vibratory motor.
4	CLOSE/ OFF	Gate Close/ Vibe OFF	Press the CLOSE/OFF button to turn off the vibratory motor.
5		Down Arrow	Press to decrease the speed of the auger.
6		Up Arrow	Press to increase the speed of the auger.
7	MENU	Menu Button	Press to enter the menu.

From the operation page, an operator can power on the spreader, enter the menu, or spinner speed.



Operation

Default Motor Controls

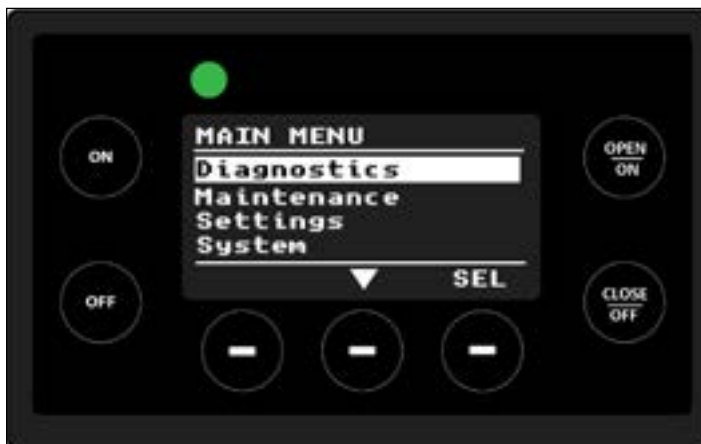
Starting and Stopping Spreader	Press the ON button to turn on the spinner/auger. Press the OFF button to turn off the spinner/auger
Gate/Vibe Control	Press the OPEN/ON button to open the gate or to turn on the vibe. Press the CLOSE/OFF button to close the gate or to turn off the vibe.
Adjusting Motor Speed	Press the bottom left button (down arrow) to decrease the speed of the motor in 11% increments. Press the bottom mid button (up arrow) to increase the speed of the motor in 11% increments.
Entering the Menu	Press the bottom right button (menu) to enter the menu.

NOTE: In order to control the Gate/Vibratory Motor the Spinner/Auger must be active, if it is not active the Gate/Vibe label state will blink indicating the motor is disabled.

Main Menu

Pressing the menu button will enter the main menu.

Once in the main menu, the user can select the following:



Menu Options	
Diagnostics	Review the warning and fault list.
Maintenance	Displays maintenance menu with options to reverse auger.
Settings	Adjusts the parameters of the display.
System	Display system's voltage and temperature.
Support	Displays support information.
Controller Info	Displays controller information
Display Info	Displays system information.
Exit	Returns to the home page.

Maintenance Menu

Reverse Auger

The reverse auger feature allows users to reverse the auger in case of a jam.

To activate the reverse auger feature:

1. Select maintenance for the main menu.
2. Press start. The auger will pulse 3 times and the start button changes to pulsing to indicate the auger is turning.



3. If the auger needs to be reversed further, press start again and wait for the reverse cycle to complete.
4. Press the exit button to return to the main menu.
5. If jam cannot be cleared, refer to cleaning auger section

Operation

Settings Menu

Selecting settings from the main menu will enter the settings menu.

From the settings menu, the user can select the following:

- Display to select the brightness level.
- CAN, to enable/disable the CAN terminator resistor.
- Exit, go back to main menu.

Display Screen Messages

During operation a message may appear describing a potential issue or problem.

Motor Over Current	A motor is drawing too much current. Spreader will shut down, display an error message, and prompt the operator to reset the spreader. The spinner disk may be jammed and needs to be cleared.
Motor Open Circuit	This message is displayed when a motor is disconnected. Ensure that all harnesses are installed correctly, and connectors are fully seated. Ensure that the status light on the motor controller is green.
Voltage High	This message is displayed when the controller is receiving a voltage higher than 16V. Please check battery voltage.
Voltage low	This message is displayed when the controller is receiving a voltage lower than 9V. Please check battery voltage.
No Comm	This message is displayed when there is a loss of communication with the motor controller. Ensure that all harnesses are installed correctly, and connectors are fully seated. Ensure that the status light on the motor controller is green.

Spreading

NOTE: Always use the hopper cover to prevent moisture buildup. Do not let spreader sit idle with material in the hopper for an extended period of time. This can cause material to compact, reduce or stop the flow of material and cause permanent hopper damage.



IMPORTANT: Never operate near pedestrians. Never exceed 10 mph while spreading. This spreader is for rock salt, ice melt, fertilizer or lime only.



CAUTION: DO NOT leave unused material in hopper. Material can freeze or solidify, causing unit to not work properly. Empty and clean after each use.



CAUTION: Disconnect electric and/or hydraulic power and tag out if required before servicing or performing maintenance.

Operation

To calculate application rate

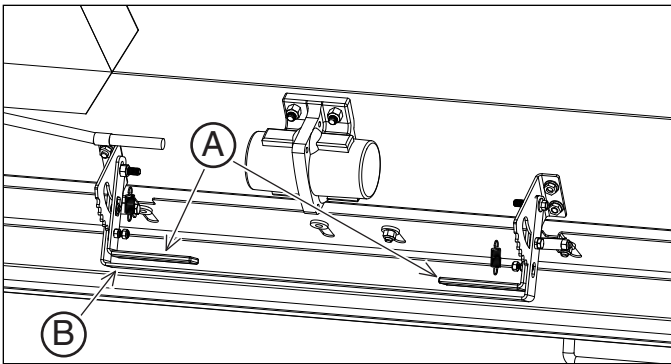
- Determine the vehicle speed that will be used.
- Place the container on a scale and make note of the weight or tare the scale.
- Measure the weight / mass of the material spread in 30 seconds. Subtract the weight / mass of the container.
- Divide lbs measured in 30 seconds by the intended speed of the vehicle in mph, and multiply by 6.06 to get lbs per 1000 ft².

$$\frac{\text{lbs per 30 seconds}}{\text{intended vehicle speed in mph}} \times 6.06 = \frac{\text{lbs}}{1000\text{ft}^2}$$

$$\frac{\text{kg per 30 seconds}}{\text{intended vehicle speed in kmph}} \times 3.5 = \frac{\text{kg}}{1000\text{m}^2}$$

Metering Gate Adjustment

To adjust the opening on the metering gate, squeeze lever(A) downward and rotate handle(B) to desired opening. There are 6 gate positions, each position increments the gate by approximately 1/4".



Preventing and Clearing blockages

Material flows best when material is free of large clumps. If a blockage occurs or material is not spreading, proceed with the following steps until the blockage is cleared.

1. Open the metering gate to a larger position and attempt to spread material again.
2. Turn on the vibrator to help break apart any clumps of material and help the material to flow into the rotor tray. Attempt to spread again.
3. If the rotor is stalled and jammed. Disconnect the spreader harness from the control box. Follow the steps in the cleaning the rotor section.
4. Disconnect power from the spreader. Remove lid and open top grate. Remove any clumped material from the hopper

Maintenance

Before performing any maintenance, turn off the spreader and park machine safely (see Parking Safely in the Safety section). Unplug the spreader harness from the control box.

Cleaning Rotor

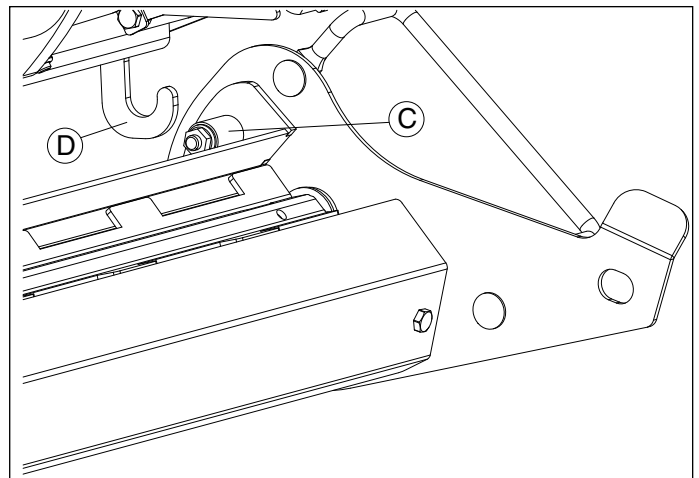
To clean the rotor area, do not reach down from the top of the machine. The tray housing the rotor is removable.

1. Disconnect the power cord (A) to the drive motor.
2. Lock out the pins (B) on both sides of the machine. When the second pin is pulled, the rear of the tray will drop.



NOTE: It is recommended two people remove the rotor assembly

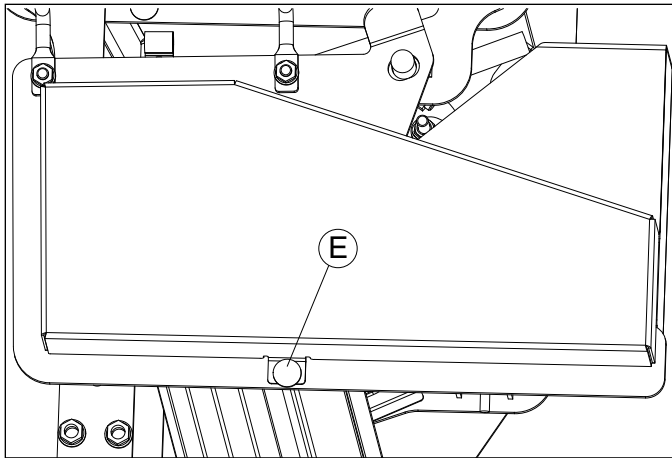
3. Lift pivot bolts (C) off the hooks (D) and the rotor can be removed for cleaning. (Left side shown above)



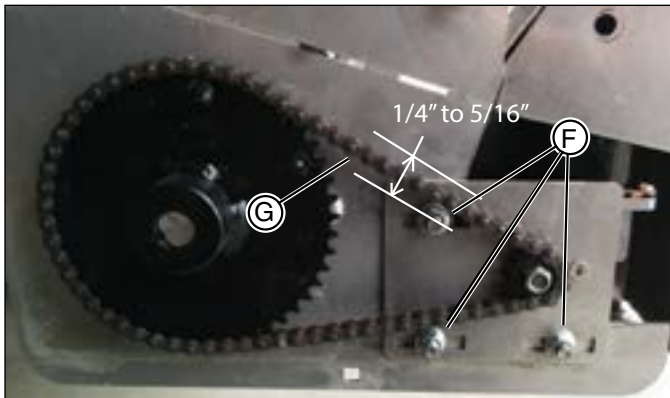
Maintenance

Adjusting Chain Tension

4. Remove bolt (E) and lift bottom of shield until it is rotated about 90° and pull out.



5. Loosen three bolts (F) and slide the motor mount plate rearward. The slack-side (G) tension should be 1/4" to 5/16" (6mm to 8mm) of midspan movement. Re-tighten three bolts.



Specifications

Volume.....	5 cu ft (.14 cu m)
Material Capacity.....	350 lbs (159 kg)
Weight (empty, 3 point).....	191 lbs (87 kg)
Weight (empty, 2" receiver).....	180 lbs (82 kg)
Weight (maximum, full).....	540 lbs (245 kg)
Weight of rotor tray.....	48 lbs (22 kg)
Width.....	49 in (125 cm)
Depth (3 point).....	25 in (64 cm)
Depth (2" receiver).....	31 in (79 cm)
Height.....	28 in (71 cm)
Spreading Width.....	43 in (109 cm)
Electrical.....	12 volt / 25A

Chain Lubrication

Schedule chain lubrication:

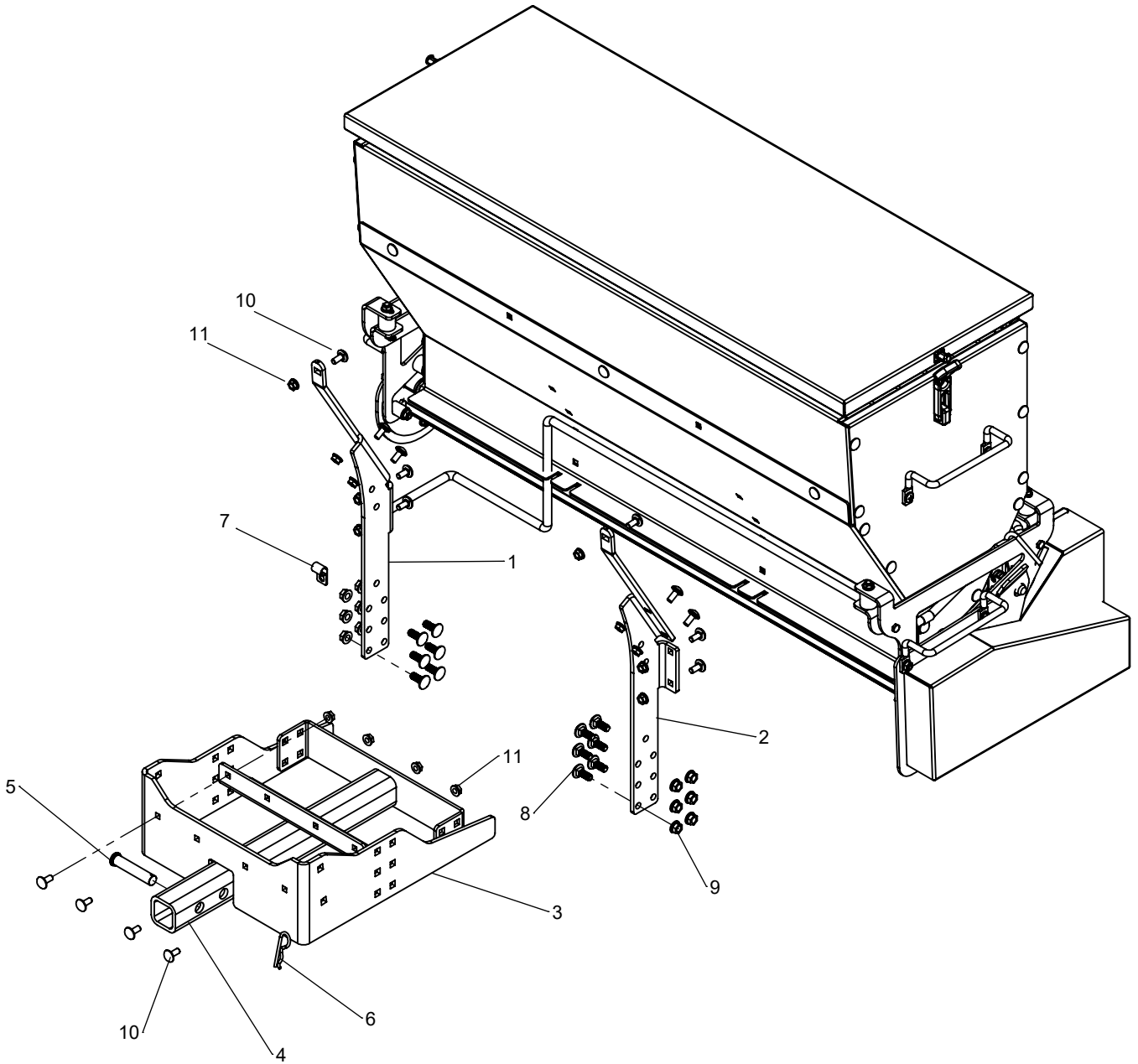
- Apply lubrication upon removal from storage
- Reapply lubrication every 20 hours of use
- Apply lubrication prior to storage

Cleaning

To protect from corrosion, clean spreader after every use with warm water and mild detergent.

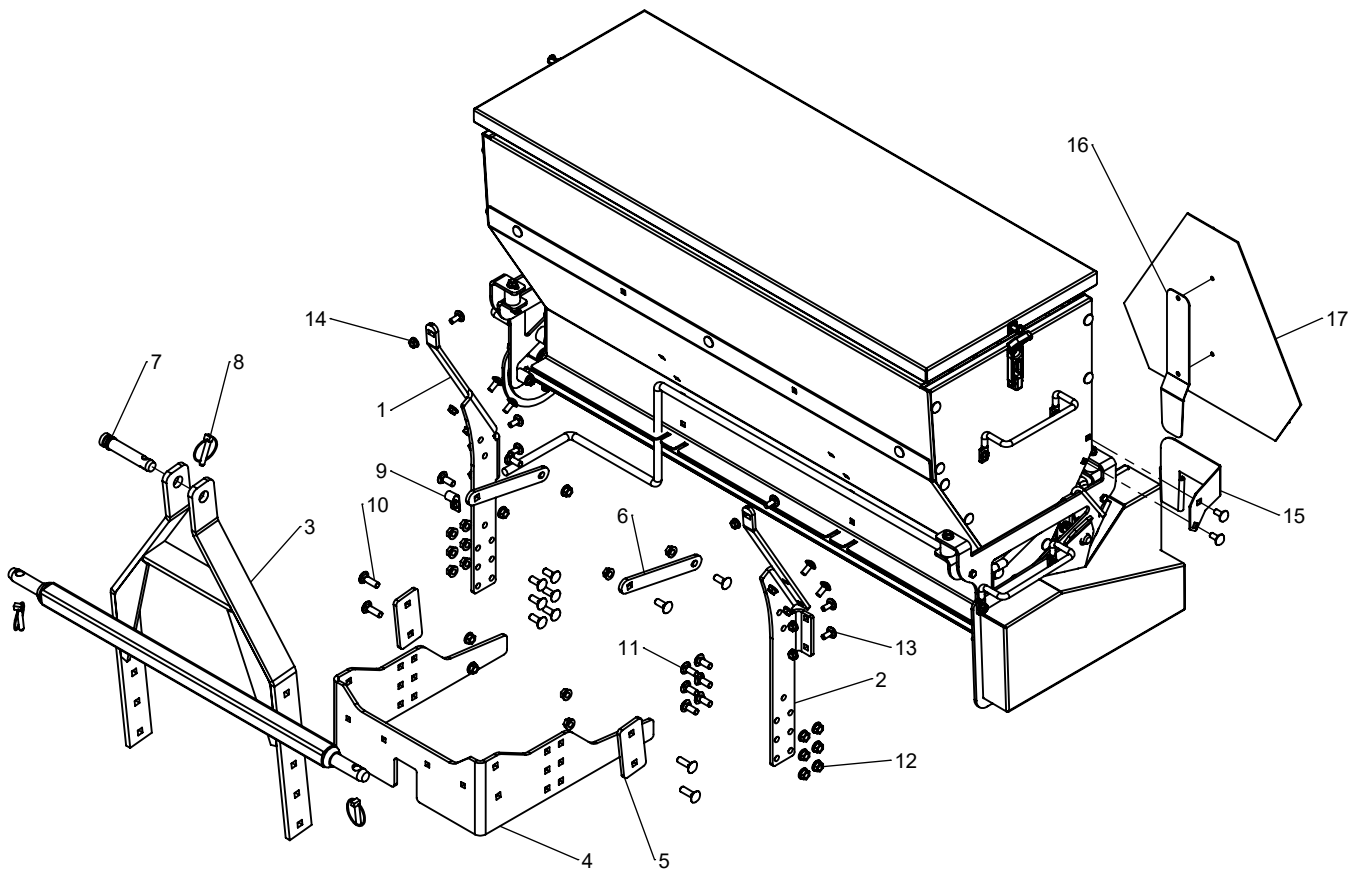
Do not leave material in the spreader.

45-0593 Drop Spreader 2-In. Receiver



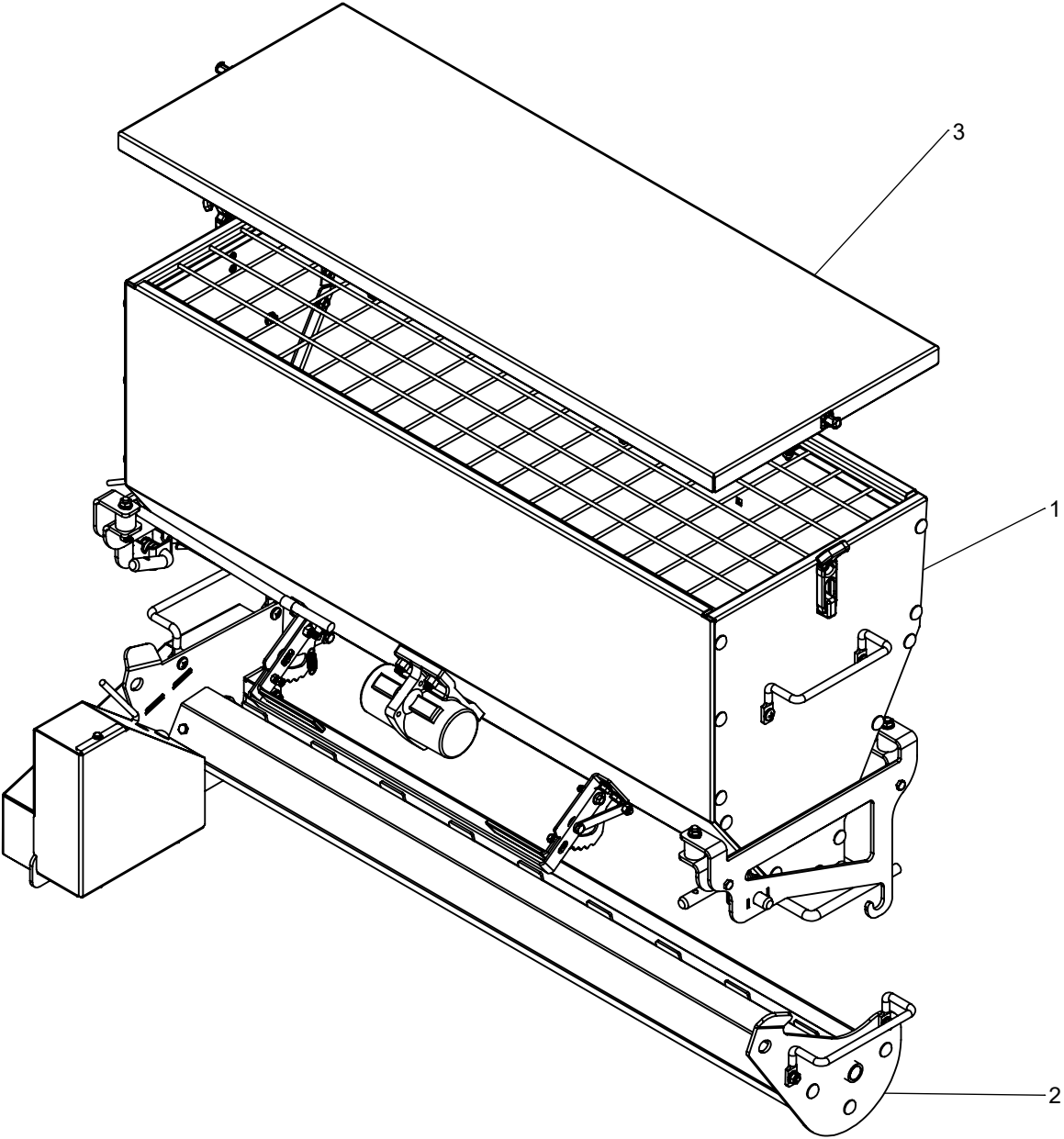
ITEM NO.	PART NUMBER	DESCRIPTION	QTY.
1	ST50454	Leg, Frame	1
2	ST50455	Leg, Frame	1
3	ST50533	Base, Regular profile	1
4	ST50531	2" Receiver Assembly	1
5	ST50373	Clevis Pin $\varnothing 5/8$ " x 3"	1
6	ST43469	Spring Cotter Pin	1
7	ST50468	Clamp, 1/2"ID x .75W Vinyl Coated	1
8	ST65136	Bolt, 3/8" x 1" Carriage S.S.	12
9	ST65126	Nut, 3/8" Flange S.S.	12
10	ST65122	Bolt, 5/16" x 3/4" Carriage S.S.	14
11	ST65124	Nut, 5/16" Flange S.S.	14
Not Shown	ST50306	Spreader Safety Label	2
Not Shown	ST50400	Read Manual Label	2
Not Shown	ST50569	Do Not Ride Label	1
Not Shown	ST50251	TerraKing Label	1
Not Shown	ST50552	Reflective DOT-C2 Tape	2

45-0592 - Drop Spreader with 3-Pt. Hitch Mount



ITEM NO.	PART NUMBER	DESCRIPTION	QTY.
1	ST50454	Frame, Right Leg	1
2	ST50455	Frame, Left Leg	1
3	ST61500	3 Point Hitch A Frame	1
4	ST50533	Frame Base	1
5	ST50527	Frame Spacer	2
6	ST50464	3 Point Hitch Brace	2
7	ST43399	Top Pin, Cat 1	1
8	ST43398	Lynch Pin	3
9	ST50468	Clamp, 1/2"ID x .75W Vinyl Coated	1
10	ST65135	3/8" x 1-1/4" Carriage Bolt S.S.	4
11	ST65136	3/8" x 1" Carriage Bolt S.S.	16
12	ST65126	Nut, 3/8" Flange S.S.	20
13	ST65122	Bolt, 5/16" x 3/4" Carriage S.S.	10
14	ST65124	Nut, 5/16" Flange S.S.	10
15	ST50565	SMV Holder Bracket	1
16	ST50583	SMV mounting spade & Hardware	1
17	ST43647	SMV Sign	1
Not Shown	ST50552	Reflective DOT-C2 Tape	2
Not Shown	ST50306	Spreader Safety Label	2
Not Shown	ST50400	Read Manual Label	2
Not Shown	ST50569	Do Not Ride Label	1
Not Shown	ST50251	TerraKing Label	1

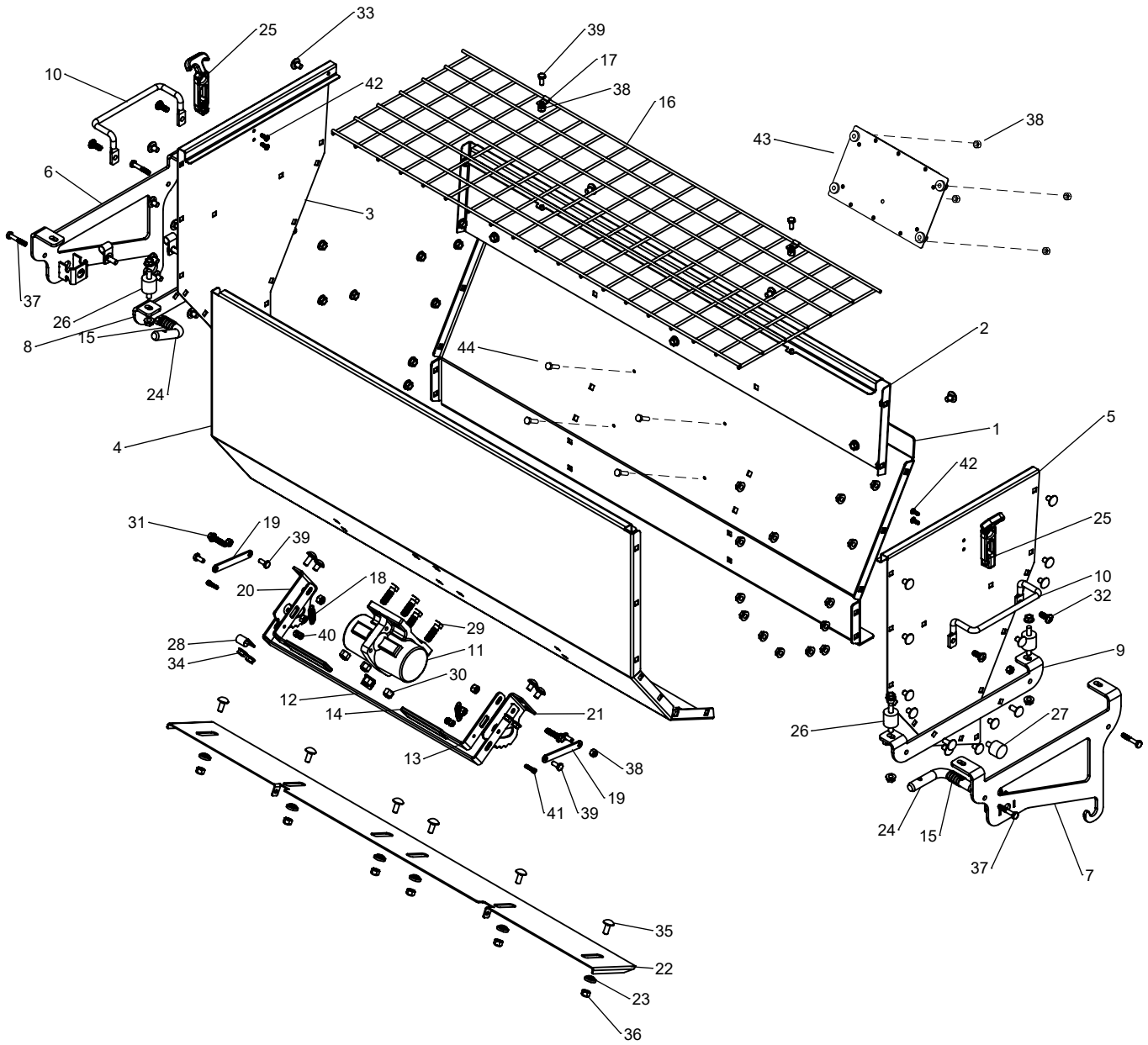
Drop Spreader Assemblies



ITEM NO.	PART NUMBER	DESCRIPTION	QTY.
1	SA10018	Hopper Assembly	1
2	ST50478	Tray Assembly	1
3	ST50432	Lid Assembly	1

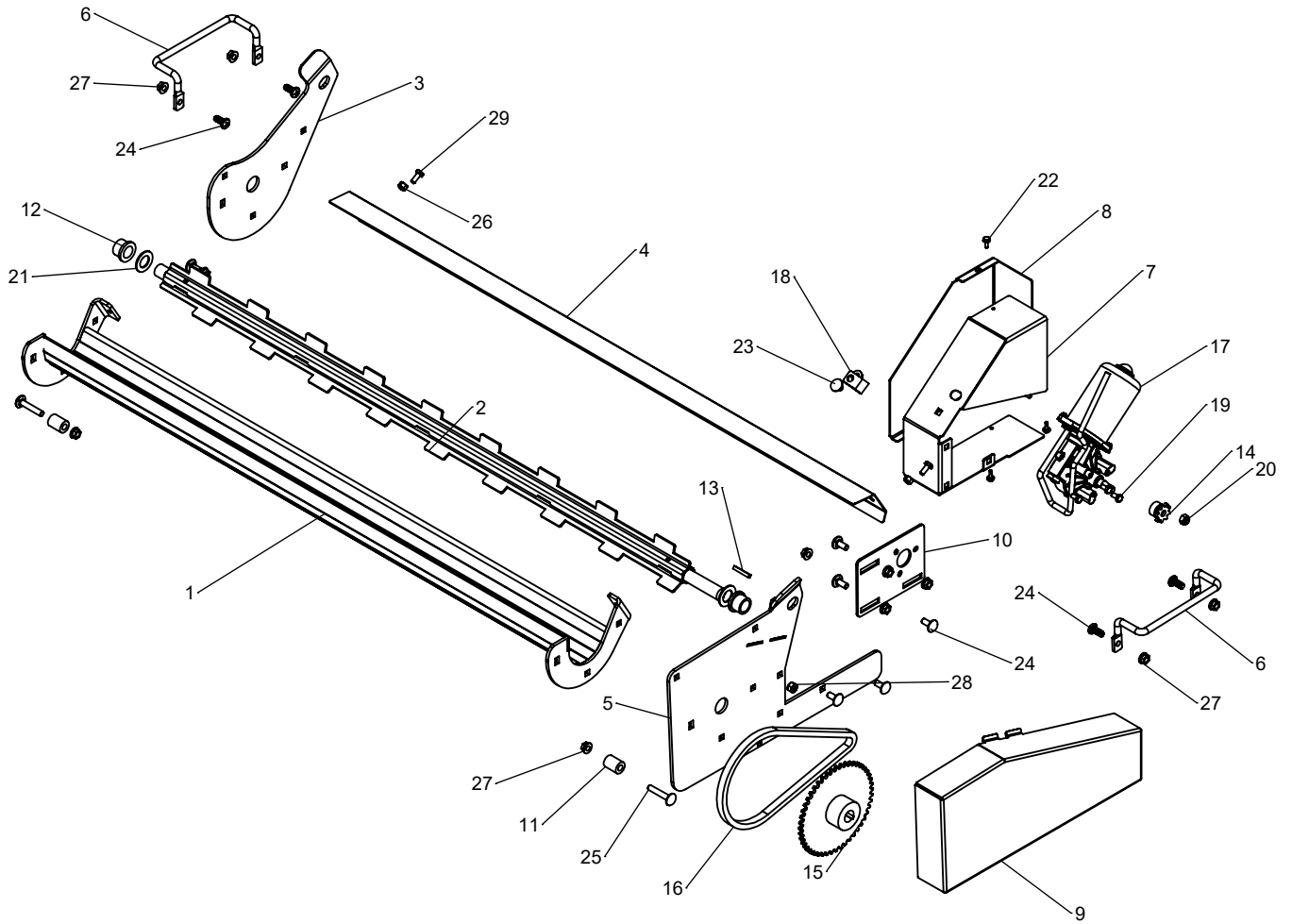
This Page Intentionally Left Blank

SA10018 - Drop Spreader Hopper Assembly



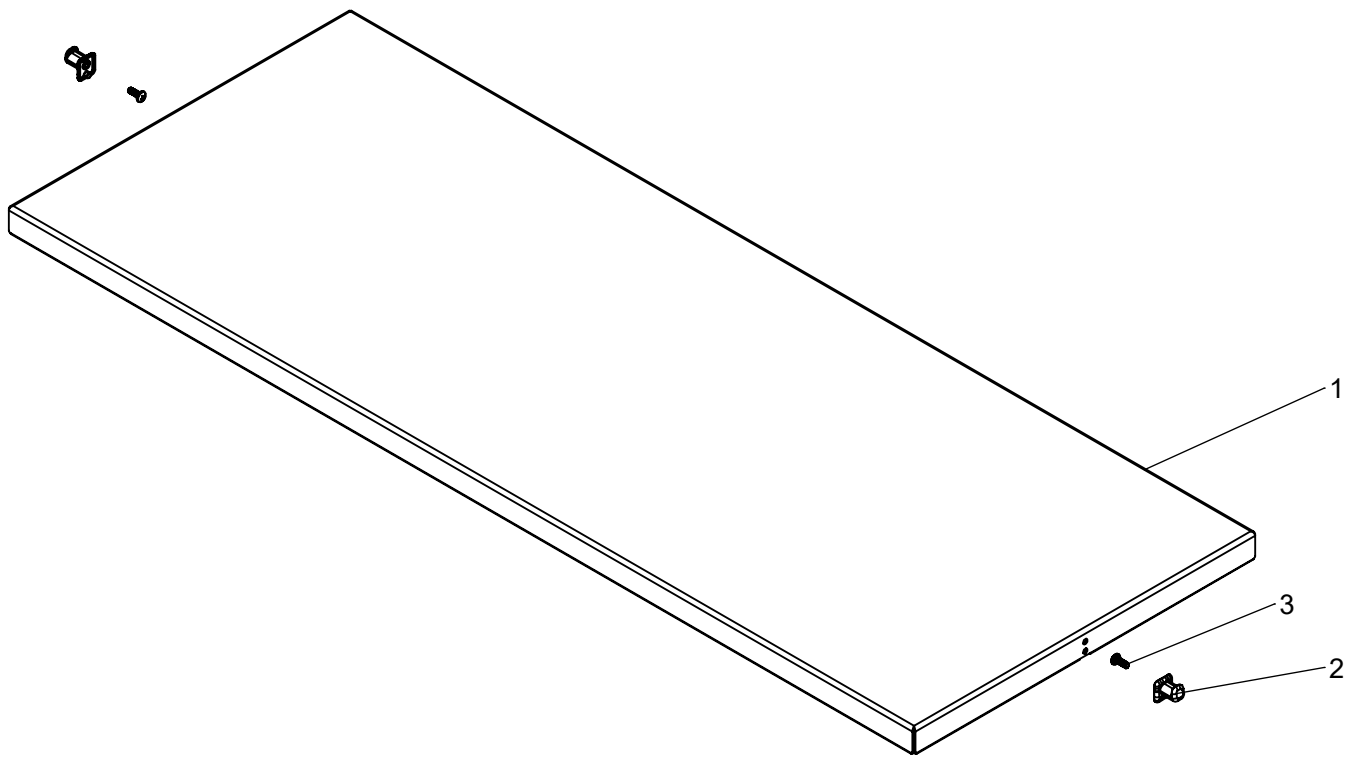
ITEM NO.	PART NUMBER	DESCRIPTION	Standard/QTY.
1	ST50827	Wall, Front Lower Hopper	1
2	ST50410	Wall, Front Upper Hopper	1
3	ST50408	Wall, Left Hopper	1
4	ST50412	Wall, Back Hopper	1
5	ST50409	Wall, Right Hopper	1
6	ST50479	Left Tray Hanger	1
7	ST50480	Right Tray Hanger	1
8	ST50425	Base, Vibration Mount Left	1
9	ST50426	Base, Vibration Mount Right	1
10	ST50447	Handle	2
11	ST50825	Vibrator, 40 lbf	1
12	ST50557	Gate Handle	1
13	ST50558	Gate Latch Lever	2
14	ST50561	Handle Grip	2
15	ST50360	Spring	2
16	ST50450	Grate	1
17	ST50453	Clip	2
18	ST50449	Spring	2
19	ST50562	Linkage	2
20	ST50559	Selector, Gate Position	1
21	ST50560	Selector, Gate Position	1
22	ST50437	Gate, Flow Control	1
23	ST50436	Shoulder Washer USA	6
24	ST50359	Locking Pin 5/8"dia S.S	2
25	ST50451	Rubber Latch	2
26	ST50423	Rubber Isolator	4
27	ST50424	Rubber Bumper	2
28	ST50468	Clamp, 1/2"ID x .75W Vinyl Coated	3
29	ST65138	3/8" x 1-1/4" S.S Hex Bolt	4
30	ST65127	Nut, 3/8" Nylock S.S.	4
31	ST65146	Cap Screw 5/16" x 1-1/4" S.S.	2
32	ST65137	Pan Head Phil.#4 5/16"-18 x 3/4" S.S.	4
33	ST65121	Bolt, 5/16" x 1/2" Short Neck Carriage S.S	26
34	ST65124	Nut, 5/16" Flange S.S.	47
35	ST65122	Bolt, 5/16" x 3/4" Carriage S.S.	13
36	ST65099	Nut, 5/16"-18 Nylock S.S.	8
37	ST65168	1/4" x 1-1/2" S.S. Hex Bolt	4
38	ST65115	1/4"-20 S.S. Nylon Lock Nut	14
39	ST65120	Bolt, 1/4"-20 x 5/8" Hex S.S.	6
40	ST65148	10-24 S.S. Nylon Lock Nut	4
41	ST65147	10-24 x 3/4" Cap Screw S.S.	2
42	ST65130	10-24 #2 S/S Pan Screw	4
43	SA10028	Motor Controller	1
44	ST65224	1/4" x 1" Hex Bolt S.S.	4
Not Shown	ST50828	Motor Harness	1
Not Shown	ST50939	Motor Controller Harness	1
Not Shown	ST50832	Plug 120 Ohm	1
Not Shown	ST50833	3 pin Recpt Cap	1
Not Shown	ST80978	3 pin Plug Cap	1

ST50478 - Drop Spreader Tray Assembly



ITEM NO.	PART NUMBER	DESCRIPTION	QTY.
1	ST50473	Tray Weldment	1
2	ST50471	Welded Auger	1
3	ST50430	Plate, Tray Mount Right	1
4	ST50431	Shield, Tray Auger	1
5	ST50445	Plate, Tray Mount Left	1
6	ST50447	Handle	2
7	ST50443	Shield, Motor Inner	1
8	ST50444	Shield, Motor Outer	1
9	ST50446	Shield, Chain Drive	1
10	ST50427	Plate, Motor Mount	1
11	ST50428	Bushing, Tray Hook	2
12	ST50419	Bearing, Bronze Flanged Sleeve	2
13	ST50487	Key 3/16" x 1-1/4"	1
14	ST50435	Sprocket, 35 Series 9T	1
15	ST50472	Sprocket 48 Tooth	1
16	ST50470	Chain, 35 Series	1
17	ST50452	Motor, Electric	1
18	ST50468	Clamp, 1/2"ID x .75W Vinyl Coated	1
19	ST65132	M6 x 12mm Hex Bolt	3
20	ST65128	Nut, M8 Nylock S.S.	1
21	ST65129	Washer, 3/4"ID 1.32"OD Flat S.S.	2
22	ST65131	Screw, #10-24 Thread-Cutting Screw	3
23	ST65121	Bolt, 5/16" x 1/2" Short Neck Carriage S.S	1
24	ST65122	Bolt, 5/16" x 3/4" Carriage S.S.	10
25	ST65123	Bolt, 5/16" x 1-3/4" Carriage S.S.	2
26	ST65115	1/4"-20 S.S. Nylon Lock Nut	2
27	ST65124	Nut, 5/16" Flange S.S.	12
28	ST65099	Nut, 5/16"-18 Nylock S.S.	1
29	ST65120	Bolt, 1/4"-20 x 5/8" Hex S.S.	2

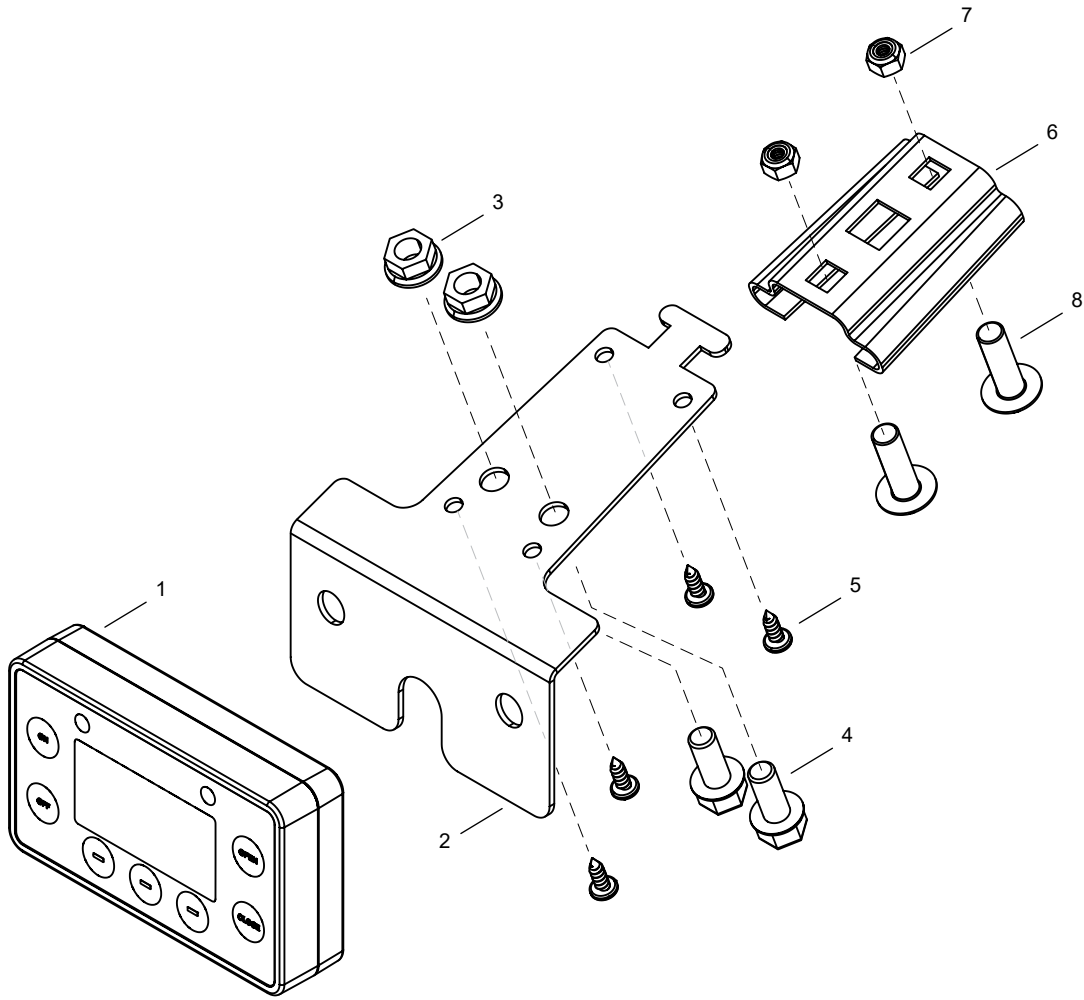
ST50432 - Drop Spreader Lid Assembly



ITEM NO.	PART NUMBER	DESCRIPTION	QTY.
1	ST50432	Lid, Hopper	1
2	ST50451	Latch Stud	2
3	ST65130	Screw, #10-24 1/2" #2 Phil. Pan Head S.S.	2

This Page Intentionally Left Blank

SA10051 - Controls and Wiring



ITEM NO.	PART NUMBER	DESCRIPTION	QTY.
1	ST48613	User Interface, Spreaders	1
2	2-290	Bracket, Universal	1
3	ST65008	5/16" Flange Nut	2
4	ST65007	5/16" x 3/4" Flange Bolt	2
5	ST65182	#8 x 1/2" Sheet Metal Screw	4
6	ST48296	Mounting Socket	1
7	ST65148	#10-24 Nylock Nut S.S.	2
8	ST65001	10-24 x 1" Truss Head Screw	2
Not Shown	2-285	Battery Harness, Universal	1
Not Shown	2-286	Extension Harness, Universal	1
Not Shown	2-459	Display Harness, Universal	1
Not Shown	ST50746	Fuse 32V 30A ATO/ATC (SERVICE PART ONLY)	1
Not Shown	ST50977	P-Clamp	1
Not Shown	ST44006	Wire Tie, Black Nylon UV, 18#, 0.2" wide X 6.0" long	10

This Page Intentionally Left Blank

This Page Intentionally Left Blank

Warranty

TerraKing's products are guaranteed to be free from defects in material and workmanship from the date of purchase for two years, provided that purchaser properly assembles, installs, uses and maintains the product in accordance with this operators manual.

Purchaser's failure to adhere to such requirements will void the warranty. To the extent permitted by applicable law, all other warranties, representations, obligations and conditions, expressed or implied, including but not limited to implied warranties of merchantability, fitness for any particular purpose and non-infringement, are hereby disclaimed and excluded.

Any product which does not meet warranty shall, as purchaser's sole and exclusive remedy, be repaired or replaced by TerraKing. This warranty is not transferable. In addition, our warranty does not cover:

- Labor charges
- Loss or consequential, incidental or special damages of any kind or character

All information, illustrations and specifications in this manual are based on the latest information available at the time of publication. Agri-Fab® reserves the right to make changes at any time without notice.

For service parts and customer support, contact TerraKing at 800-448-9282

TerraKing® by Agri-Fab®

3-153

