



OWNERS MANUAL

Model No.
45-0364



250 LB. ATV BROADCAST SPREADER

CAUTION:
Read Rules for
Safe Operation
and Instructions
Carefully

- Safety
- Assembly
- Operation
- Maintenance
- Parts

SpeedPart *the fastest way to purchase parts* www.speedpart.com

RULES FOR SAFE OPERATION

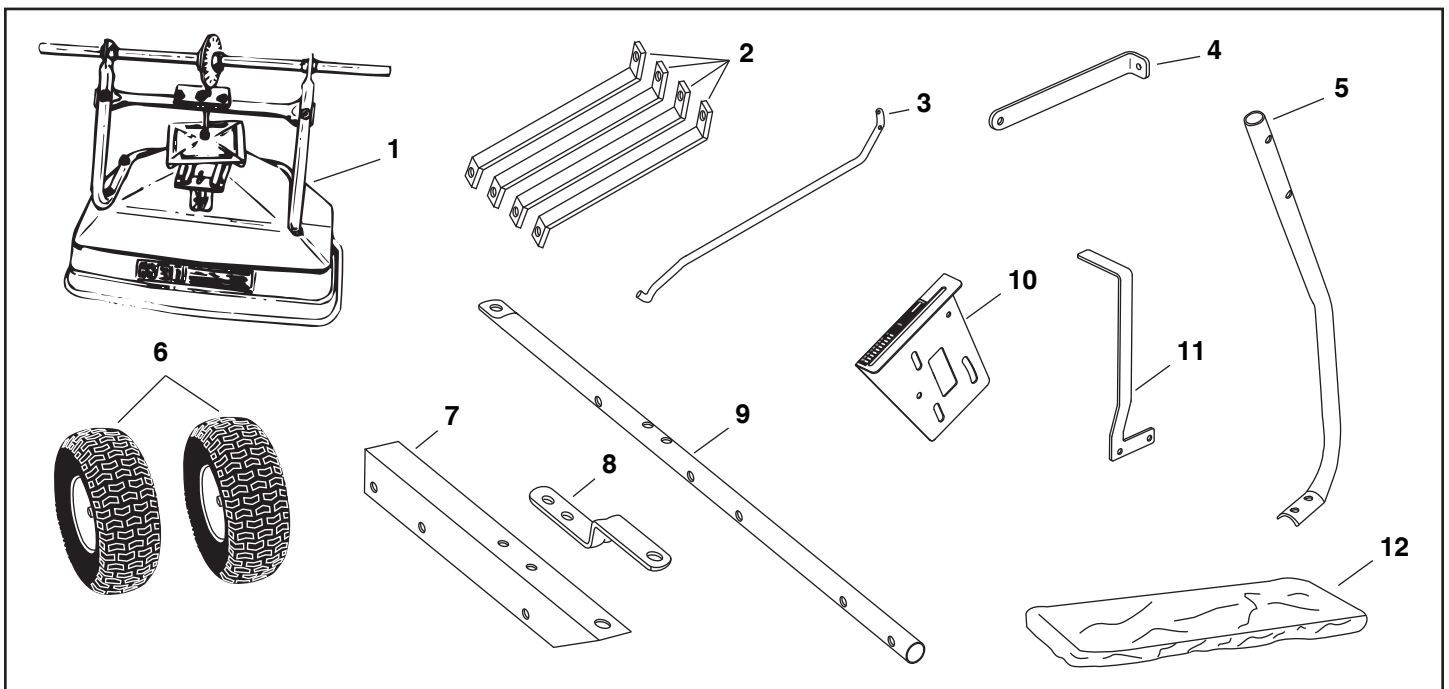
Any power equipment can cause injury if operated improperly or if the user does not understand how to operate the equipment. Exercise caution at all times when operating equipment.

- Read the towing vehicle owners manual and towing vehicle safety rules. Know how to operate your tractor before using the broadcast spreader attachment.
- Read the chemical label instructions and cautions for handling and applying the chemicals purchased for spreading.
- Wear eye and hand protection when handling and when applying lawn or garden chemicals.
- Never operate tractor and spreader attachment without wearing substantial footwear, and do not allow anyone to ride or sit on spreader attachment frame.
- Never allow children to operate the tractor or spreader attachment, and do not allow adults to operate without proper instructions.
- Always begin with the transmission in first (low) gear and with the engine at low speed, and gradually increase speed as conditions permit.
- When towing broadcast spreader do not drive too close to a creek or ditch and be alert for holes and other hazards which could cause you to loose control of the broadcast spreader and tractor.
- Before operating vehicle on any grade (hill) refer to the safety rules in the vehicle owner's manual concerning safe operation on slopes. **Stay off steep slopes!**
- Follow maintenance and lubrication instructions as outlined in this manual.

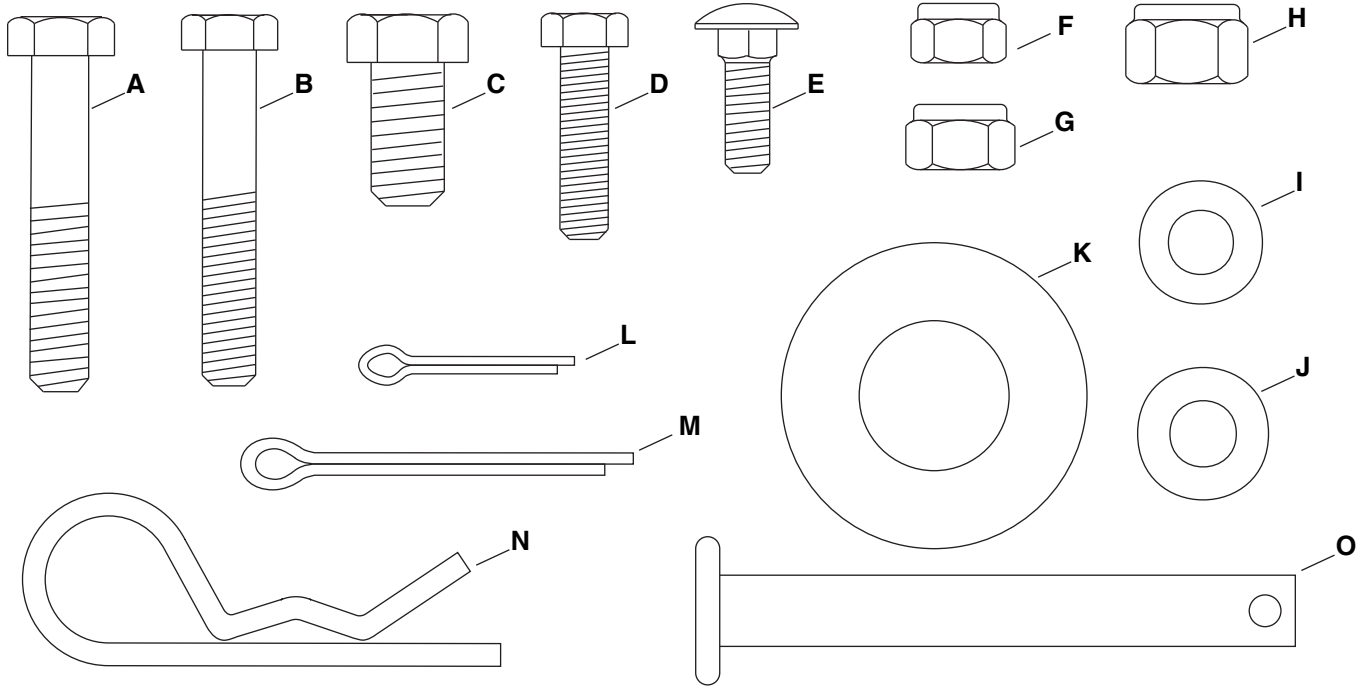
 **LOOK FOR THIS SYMBOL TO POINT OUT IMPORTANT SAFETY PRECAUTIONS. IT MEANS -- ATTENTION! BECOME ALERT! YOUR SAFETY IS INVOLVED.**

CARTON CONTENTS (Loose Parts in Carton)

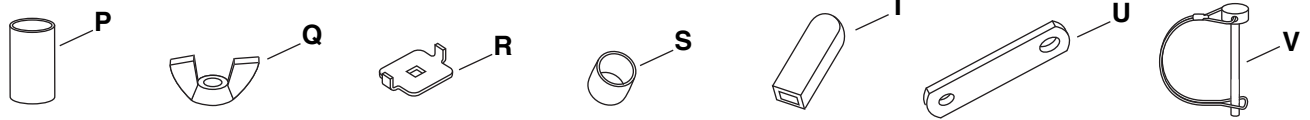
- | | |
|-------------------------------|--------------------------------|
| 1. Hopper Assembly | 7. Hitch Extension Bracket |
| 2. Braces (4) | 8. Hitch Bracket |
| 3. Flow Control Rod | 9. Hitch Tube |
| 4. Tube Support Strap | 10. Flow Control Mount Bracket |
| 5. Flow Control Mounting Tube | 11. Flow Control Arm |
| 6. Wheels (2) | 12. Hopper Cover |
| | Hardware Package (see page 3) |



SHOWN FULL SIZE



NOT SHOWN FULL SIZE



KEY	QTY.	DESCRIPTION	KEY	QTY.	DESCRIPTION
A	4	Hex Bolt, 5/16" x 1-3/4"	L	1	Cotter Pin, 3/32" x 3/4"
B	5	Hex Bolt, 1/4" x 1-3/4"	M	2	Cotter Pin, 1/8 x 1-1/2"
C	2	Hex Bolt, 3/8" x 3/4"	N	1	Hair Cotter Pin
D	2	Hex Bolt, 1/4" x 1"	O	1	Hitch Pin
E	1	Carriage Bolt, 1/4" x 3/4"	P	2	Spacers
F	7	Hex Lock Nut, 1/4"	Q	1	Nylon Wing Nut
G	4	Hex Lock Nut, 5/16"	R	1	Adjustable Stop
H	2	Hex Lock Nut, 3/8"	S	1	Vinyl Cap
I	4	Nylon Washer	T	1	Grip
J	7	Flat Washer, 5/16"	U	1	Flow Control Link
K	4	Flat Washers, 3/4"	V	1	Drive Pin

ASSEMBLY INSTRUCTIONS

TOOLS REQUIRED FOR ASSEMBLY

- (1) Pliers
- (2) 7/16" Wrenches
- (2) 1/2" Wrenches
- (2) 9/16" Wrenches

REMOVAL OF PARTS FROM CARTON

Remove all parts and hardware packages from the carton. Lay out all parts and hardware and identify using the illustrations on pages 2 and 3.

1. Turn the spreader upside down as shown in figure 1.

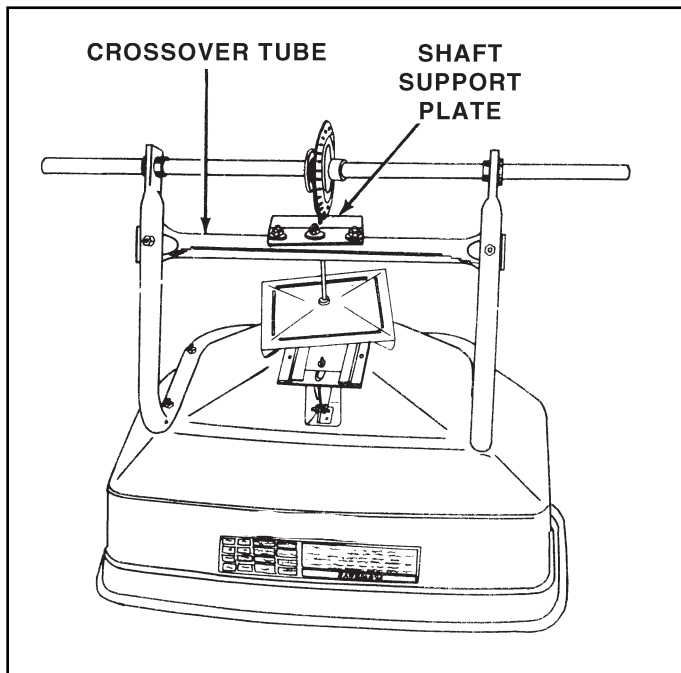


FIGURE 1

2. Assemble the two hitch braces to the inside of the hopper frame using a 1/4" x 1-3/4" hex bolt (B) and 1/4" hex nut (F) on each side. **DO NOT TIGHTEN YET.** See figure 2.
3. Remove the hex lock nut from the middle bolt in the crossover tube and shaft support plate. Do not remove the bolt. See figure 2.
4. Assemble the hitch tube onto the middle bolt and secure it with the same hex lock nut you removed. **DO NOT TIGHTEN YET.** See figure 2.

IMPORTANT: The hitch tube must attach to the side of the crossover tube opposite the shaft support plate.

5. Turn the four hitch braces until they will fit together and then stack them in pairs. Assemble a pair of hitch braces on each side of the hitch tube using a 1/4" x 1-3/4" (B) hex bolt and a 1/4" hex lock nut (F). **DO NOT TIGHTEN YET.** See figure 2.

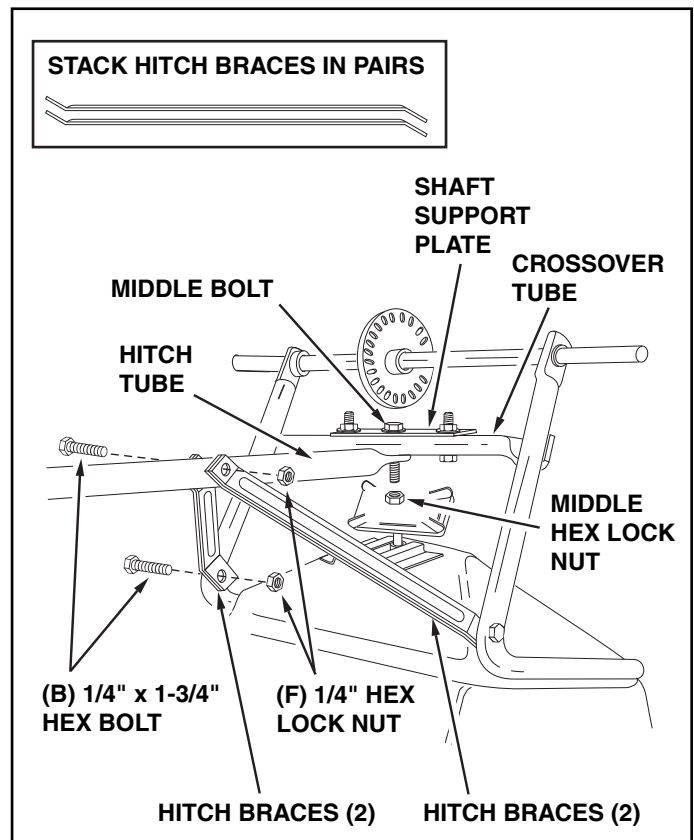


FIGURE 2

6. **Tighten** the nuts and bolts fastening the hitch braces to the hopper frame and the hitch tube, then tighten the middle lock nut fastening the hitch tube to the crossover tube. **DO NOT COLLAPSE TUBES WHEN TIGHTENING.**
7. Assemble a spacer (P), a 3/4" flat washer (K), a wheel (air valve facing out) and another 3/4" flat washer (K) onto the end of the axle that has only the **small hole**. See figure 3.
8. Install a 1/8" x 1-1/2" cotter pin (M) into the hole in the axle. See figure 3.

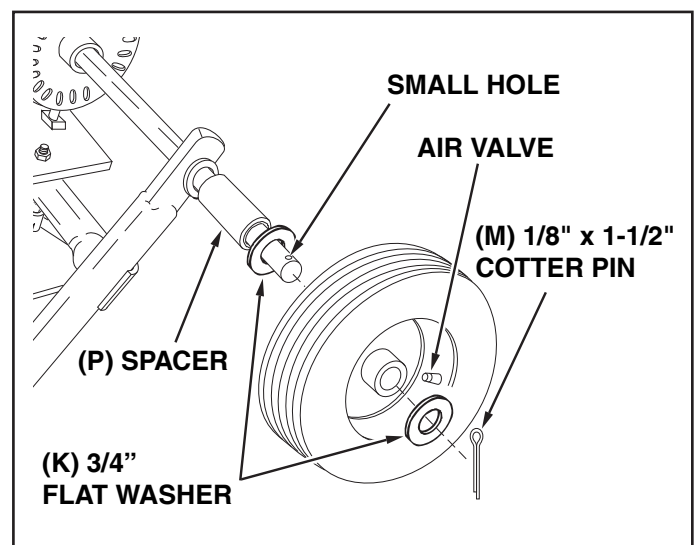


FIGURE 3

9. Assemble a spacer (P), a 3/4" flat washer (K), a wheel (air valve facing out) and another 3/4" flat washer (K) onto the end of the axle that has both the **large and small holes**. See figure 4.
10. Install a 1/8" x 1-1/2" cotter pin (M) into the small hole in the end of the axle. See figure 4.
11. Open the bail on the drive pin (V) and install it through the wheel and the large hole in the axle. Close the bail to lock the pin in place. See figure 4.

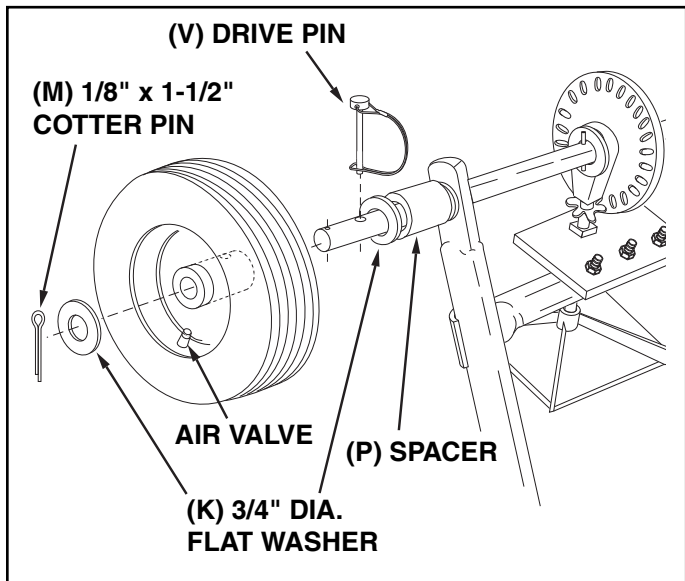


FIGURE 4

12. Turn the spreader upright on its wheels.
13. Assemble the flow control mounting tube to the hitch tube using two 5/16" x 1-3/4" hex bolts (A) and 5/16" hex lock nuts (G). **DO NOT TIGHTEN YET.** See figure 5.
14. Assemble the vinyl cap (S) onto the flow control mounting tube. See figure 5.

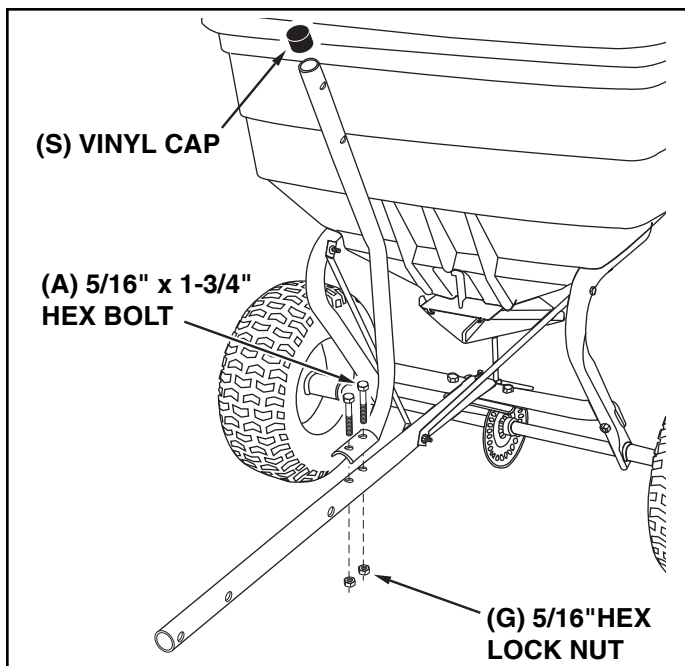


FIGURE 5

15. Assemble the flow control mounting bracket and the tube support strap to the flow control mounting tube using two 5/16" x 1-3/4" hex bolts (A), four 5/16" washers (J) and two 5/16" hex lock nuts (G). **DO NOT TIGHTEN YET.** See figure 6.
16. Remove the preassembled bolt and nut from the front of the hopper. Attach the tube support strap to the hopper and hopper strap using the bolt and nut you removed. **TIGHTEN** the nut and bolt. See figure 6.

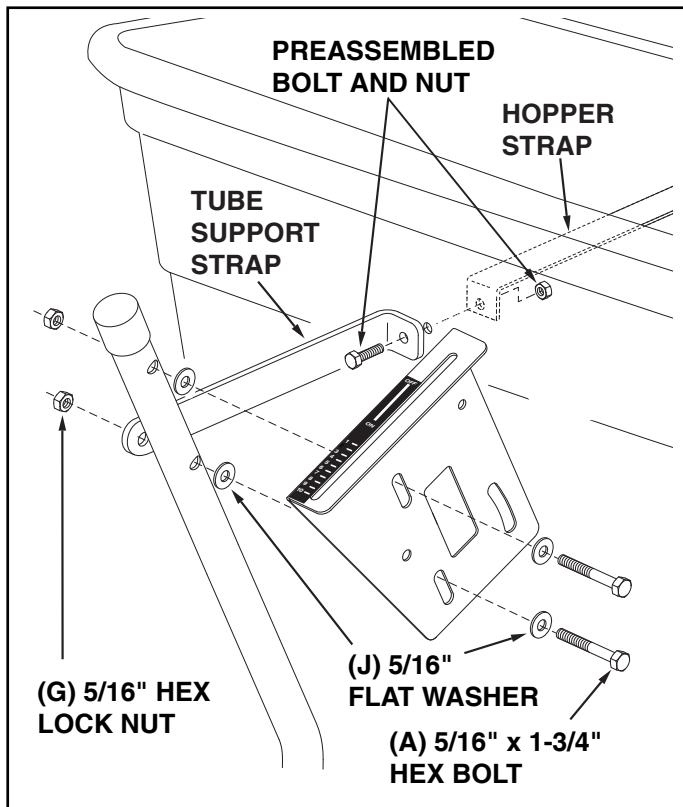


FIGURE 6

17. **TIGHTEN** the two bolts which fasten the flow control mounting tube to the hitch tube. **DO NOT TIGHTEN** the two bolts which fasten the flow control mounting bracket to the flow control mounting tube.

18. Assemble the vinyl grip (T) onto the flow control arm. See figure 7.
19. Insert the flow control arm down through the slot in the flow control bracket. Assemble the small hole of the flow control link (U) to the flow control arm using a 1/4" x 1" hex bolt (D), a nylon washer (I) and a 1/4" hex lock nut (F) as shown in figure 7. **Tighten carefully.** The flow control link should be snug but should pivot with no more than slight resistance.

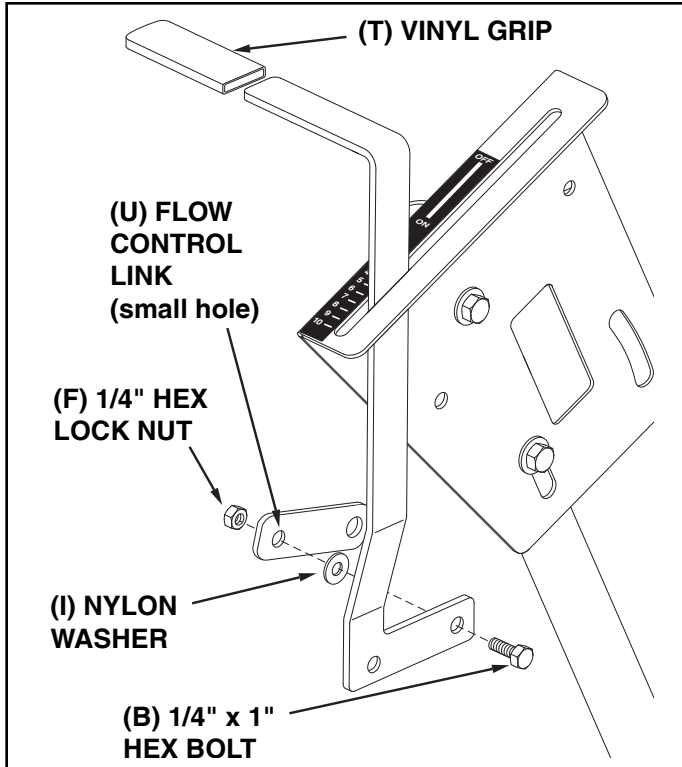


FIGURE 7

20. Assemble the flow control arm to the flow control mounting bracket using a 1/4" x 3/4" hex bolt (D), two nylon washers (I) and a 1/4" hex lock nut (F). **Tighten carefully.** The flow control arm should be snug but should pivot with no more than slight resistance. See figure 8.

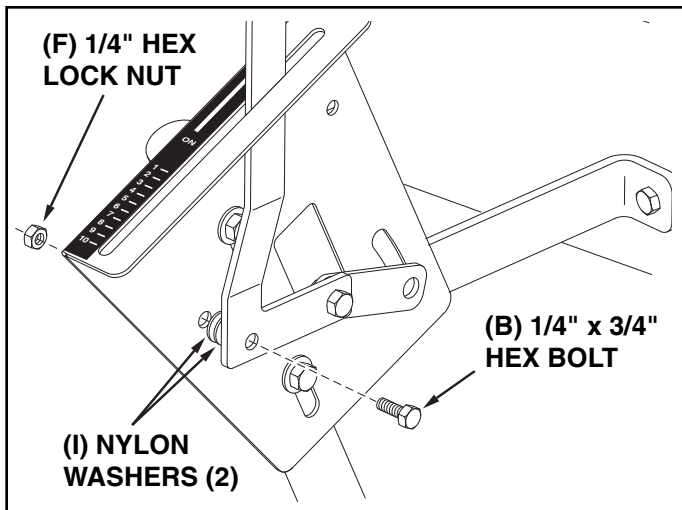


FIGURE 8

21. Hook the double bent end of the flow control rod through the hole in the slide gate bracket located near the bottom of the hopper. See figure 9.

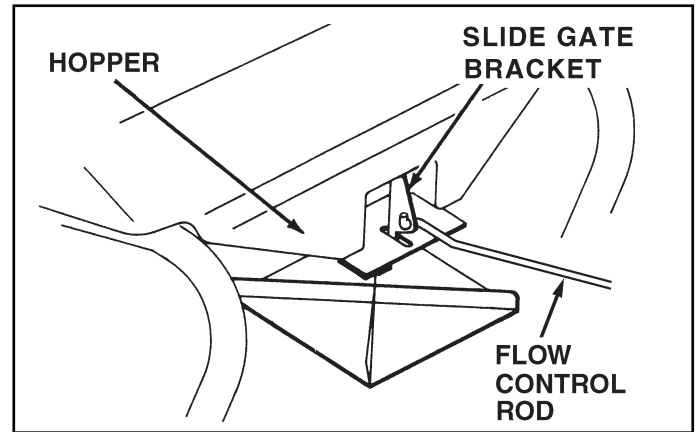


FIGURE 9

22. Place a 5/16" flat washer (J) onto the other end of the flow control rod. Insert the end of the rod through the curved slot in the flow control mounting bracket and through the hole in the flow control link. Secure with a 5/16" flat washer (J) and a 3/32" x 3/4" cotter pin (L). See figure 10.

NOTE: You can leave off the second washer if there is not enough room on the end of the rod.

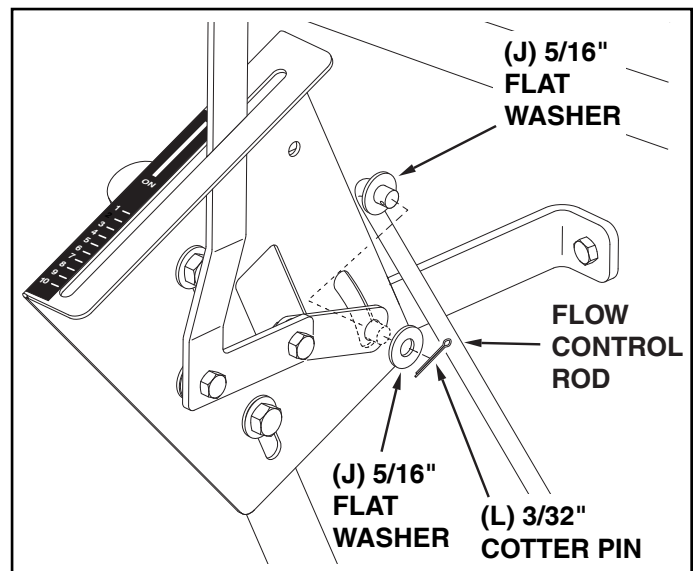


FIGURE 10

23. Place the adjustable stop (R) into the "ON" end of the slot in the top of the flow control mounting bracket. Secure with the 1/4" x 3/4" carriage bolt (E), a nylon washer (I), a 5/16" flat washer (J) and the nylon wing nut (Q). See figure 11.

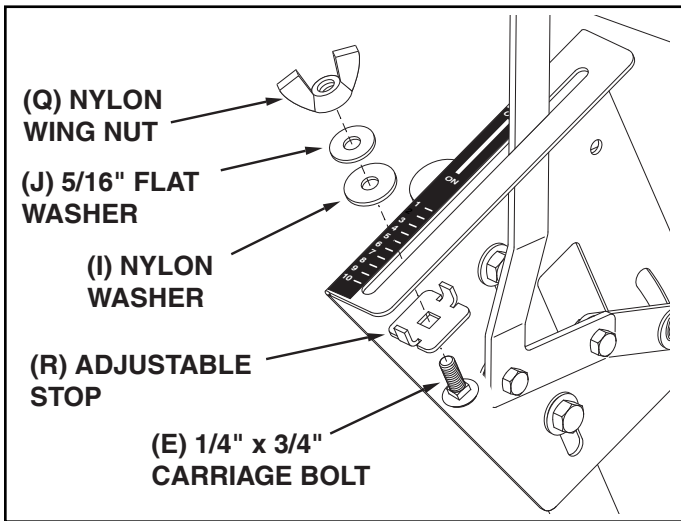


FIGURE 11

24. Position the flow control mounting bracket (figure 12).
- Push on flow control arm until it locks in "OFF" position.
 - Slide flow control mounting bracket along tube until closure plate in bottom of hopper just closes.
 - Snug the 5/16" lock nuts just enough to hold flow control mounting bracket in place.
 - Set adjustable stop at "5". Pull flow control arm against stop. Verify that closure plate has opened about half way.
 - If closure plate does not open half way, adjust position of flow control mounting bracket until closure plate will open about half way at "5" and will still close when arm is locked in "OFF" position. **Tighten** the 5/16" lock nuts.

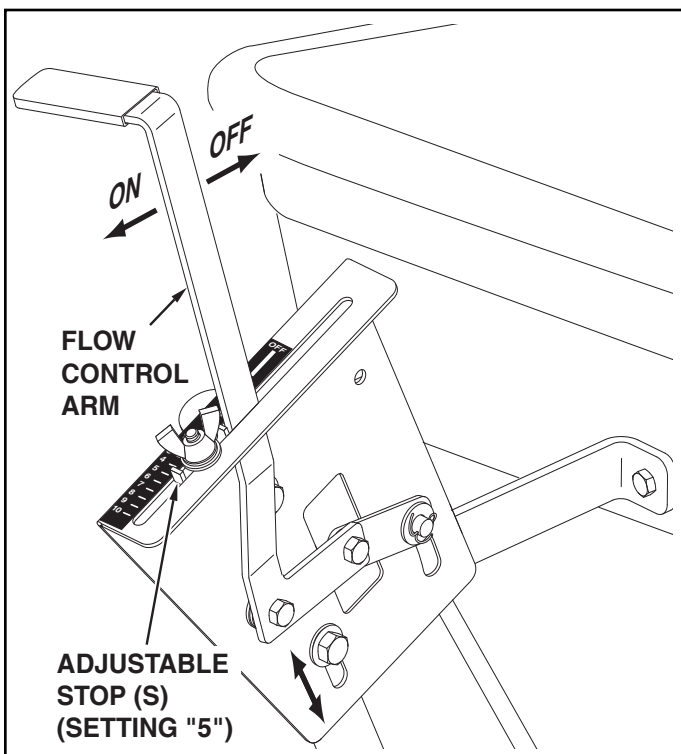


FIGURE 12

- Assemble the hitch bracket to the hitch extension bracket using two 3/8" x 3/4" hex bolts (C) and 3/8" hex lock nuts (H). Insert the bolts from the bottom. See figure 13.
- Assemble the hitch pin (O) through the hitch bracket and the hitch extension bracket and secure with the hair cotter pin (N). See figure 13.

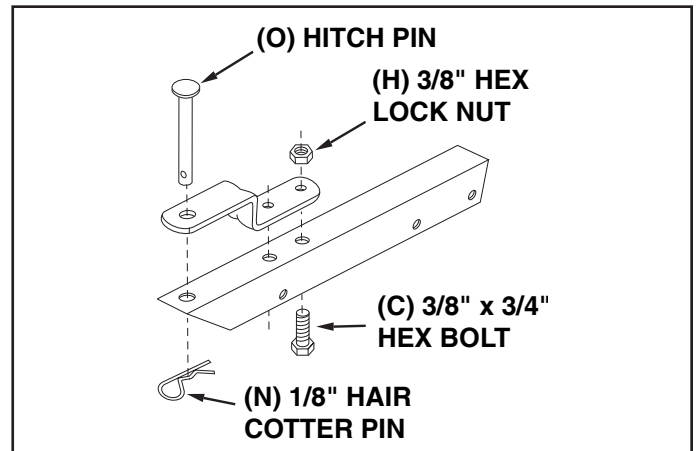


FIGURE 13

- For most vehicles, assemble the hitch extension bracket to the holes in the hitch tube shown at the **top** of figure 14. Use two 1/4" x 1-3/4" hex bolts (B) and 1/4" hex lock nuts (F) tightened only finger tight. Attach the spreader hitch to your vehicle hitch. Check for interference with the spreader directly behind and out to both sides of the vehicle. Lift the spreader at each position to make sure there is no interference with the spreader's flow control. If there is interference with the rear of the vehicle, assemble the hitch extension bracket as shown at the **bottom** of figure 14. **Tighten** the bolts and nuts when finished.

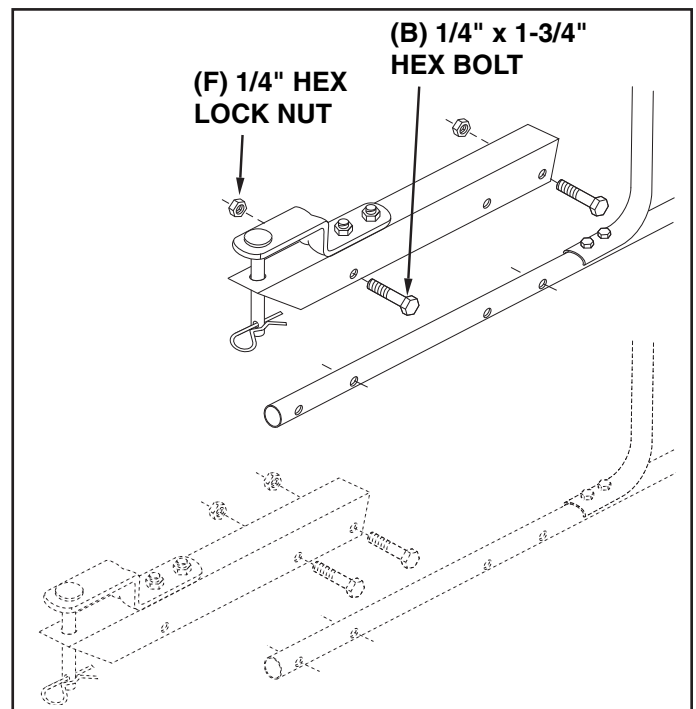


FIGURE 14

OPERATION

HOW TO USE YOUR SPREADER

SETTING THE FLOW CONTROL

(Refer to figure 12 on page 7.)

1. Loosen the nylon wing nut, set the adjustable stop to the desired flow rate setting and retighten the wing nut. The higher the setting number, the wider the opening in the bottom of the hopper.
2. Refer to the application chart on page 9 and to the instructions on the fertilizer bag to select the proper flow rate setting.
3. Pull the flow control arm against the adjustable stop for the on position and toward the hopper for the off position.

THE FREE WHEELING FEATURE

(Refer to figure 4 on page 5.)

The spreader is equipped with a removable pin in the left (drive) wheel. Remove the pin to disengage the drive wheel so that the axle, gears and spreader plate do not rotate. With the drive wheel disengaged, the spreader may be towed at speeds up to 20 mph. If the drive wheel is engaged do not exceed 6 mph.

USING YOUR SPREADER

We do not recommend the use of any powdered lawn chemicals, due to difficulty in obtaining a satisfactory or consistent broadcast pattern.

1. Determine approximate square footage of area to be covered and estimate amount of material required.
2. Before filling the hopper make sure the flow control arm is in the off position and the closure plate is shut.
3. Break up any lumpy fertilizer as you fill the hopper.
4. Set the adjustable stop with the flow control arm still in the off position. Refer to the application chart on this page and to the instructions on the fertilizer bag to select the proper flow rate setting.
5. The application chart is calculated for light to heavy application at a vehicle speed of 3 mph, or 100 ft. in 23 seconds. A variation in speed will require an adjustment of the flow rate to maintain the same coverage. The faster you drive, the wider the broadcast width.
6. Make sure the drive pin is installed in the axle before starting the spreader.
7. Always start the tractor in motion before opening closure plate.
8. Always shut the closure plate before turning or stopping the tractor.
9. If fertilizer is accidentally deposited too heavily in a small area, soak the area thoroughly with a garden hose or sprinkler to prevent burning of the lawn.

10. To insure uniform coverage, make each pass so that the broadcast pattern slightly overlaps the pattern from the previous pass as shown in figure 15. The approximate broadcast widths for different materials are shown in the application chart on this page.
11. When broadcasting weed control fertilizers, make sure the broadcast pattern does not hit evergreen trees, flowers or shrubs.
12. Heavy moisture conditions may require a cover over the hopper to keep contents dry. The vinyl cover acts as a wind and moisture shield, but should not be used as a rain cover.

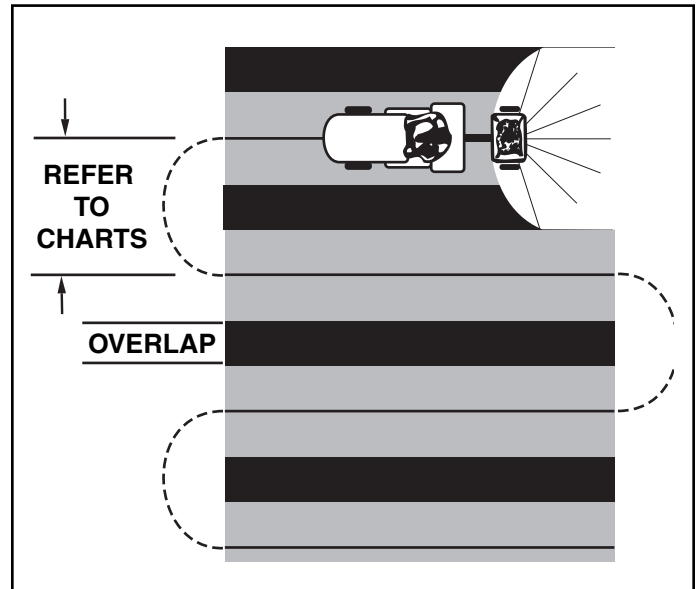


FIGURE 15

IMPORTANT: Application rates shown in the chart are affected by humidity and by the moisture content of the material (granular and pellet). Some minor setting adjustments may be necessary to compensate for this condition.

APPLICATION CHART		
TYPE MATERIAL	FLOW SETTING	SPREAD WIDTH
FERTILIZER		
Powder	3 - 5	3' - 4'
Granular	3 - 5	8' - 10'
Pelleted	3 - 5	10' - 12'
Organic	6 - 8	6' - 8'
GRASS SEED		
Fine	3 - 4	6' - 7'
Coarse	4 - 5	8' - 9'
ICE MELTER	6 - 8	10' - 12'

OPERATING SPEED - 3 MPH. (100 ft. in 23 seconds)

MAINTENANCE

CHECK FOR LOOSE FASTENERS

1. Before each use make a thorough visual check of the spreader for any bolts and nuts which may have loosened. Retighten any loose bolts and nuts.

CHECK FOR WORN OR DAMAGED PARTS

2. Check for worn or damaged parts before each use. Repair or replace parts if necessary.

CHECK TIRE INFLATION

3. Check if tires are adequately inflated before each use. Do not inflate beyond maximum recommended pressure.

CLEANING



CAUTION: DO NOT inflate tires beyond the maximum recommended pressure printed on side of tire.

4. Rinse inside of hopper and exterior of spreader and dry off before storing.

LUBRICATE (See figure 16)

5. Lightly apply automotive grease as needed to the sprocket and gear.
6. Oil the nylon bushings on the vertical sprocket shaft and on the axle at least once a year, or more often as needed.
7. Oil right hand (idler) wheel bearing at least once a year or more often as needed.

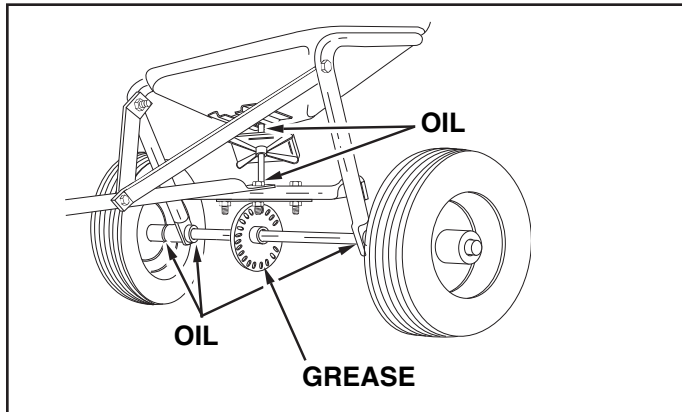


FIGURE 16

STORAGE

1. Rinse inside of hopper and exterior of spreader and dry off before storing.
2. Store in a clean, dry area.

SERVICE AND ADJUSTMENTS

1. If the axle, slotted gear and sprocket assembly is disassembled, mark down the positions of the parts as they are removed. The drive wheel and sprocket positions in relation to the slotted gear determine which direction the spreader plate will spin. Be sure to reassemble them in their original positions. (Refer to figure 4 on page 5.) Use shim washers (Ref. no. 21 on pages 10 and 11) as needed for minimum backlash. Add grease to gear and sprocket.
2. If the agitator hairpin becomes damaged or worn it can be replaced. See figure 17.

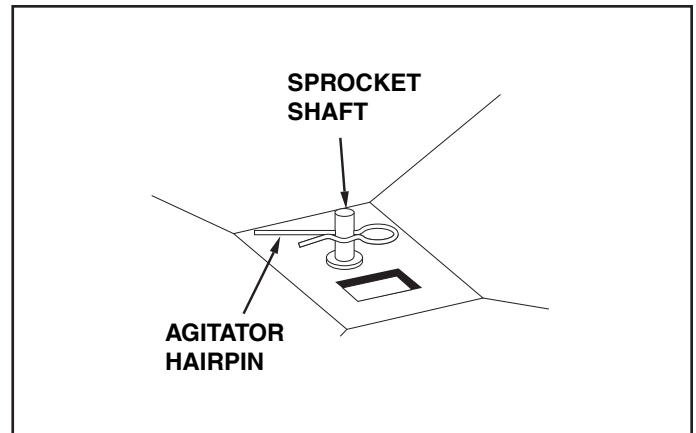
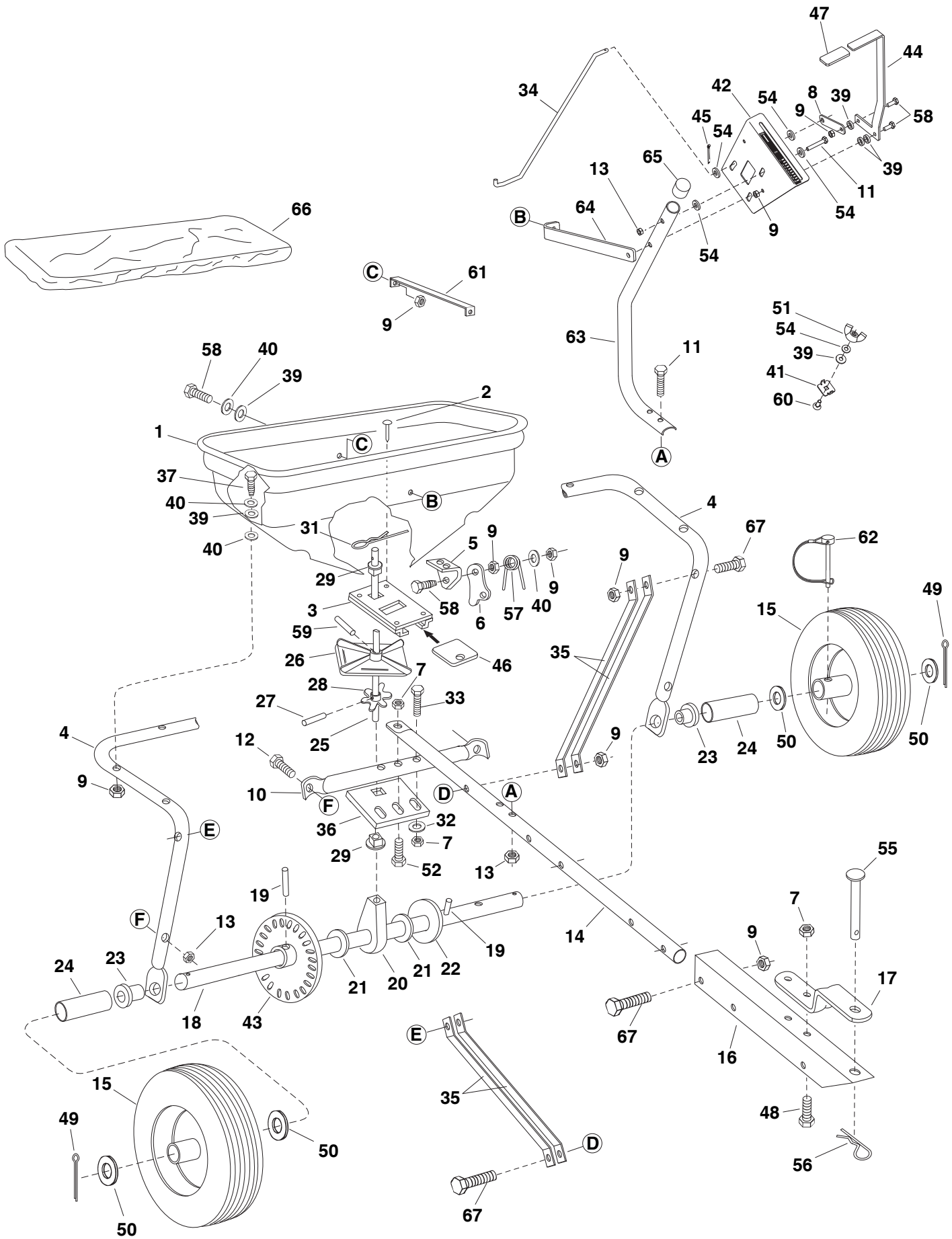


FIGURE 17

REPAIR PARTS FOR BROADCAST SPREADER MODEL 45-0364



REPAIR PARTS FOR BROADCAST SPREADER MODEL 45-0364

REF. NO.	PART NO.	QTY.	DESCRIPTION	REF. NO.	PART NO.	QTY.	DESCRIPTION
1	49414	1	Hopper	35	23525	2	Brace, Hitch
2	43882	4	Rivet, Stainless	36	23762	1	Shaft Support Plate
3	65129	1	Ass'y, Guide Closure	37	46699	6	Bolt, Hex 1/4-20 x 2"
4	44462	1	Tube, Frame	39	1543-69	11	Washer, Nylon
5	23753	1	Slide Gate Angle Bracket	40	43088	14	Washer, Flat 1/4" Std.
6	23758	1	Slide Gate Bracket	41	24858	1	Stop, Adjustable
7	HA21362	5	Nut, Hex Lock 3/8-16 Nylock	42	24915	1	Bracket, Flow Control Mount
8	24857	1	Flow Control Link	43	62474	1	Gear Assembly
9	47189	17	Nut, Hex Lock 1/4-20 Nylock	44	24917	1	Flow Control Arm
10	43808	1	Tube, Crossover	45	44101	1	Cotter Pin 3/32" x 3/4" Lg.*
11	43084	4	Bolt, Hex 5/16-18 x 1-3/4" Lg.	46	23533	1	Plate, Closure
12	44180	2	Bolt, Hex 5/16-18 x 2" Lg.	47	43848	1	Grip, Flow Control Arm
13	47810	6	Nut, Hex Lock, 5/16-18 Nylock	48	43407	2	Bolt, Hex 3/8-16 x 3/4" Lg. *
14	48864	1	Tube, Hitch	49	43093	2	Pin, Cotter 1/8" x 1-1/2"
15	48511	2	Wheel	50	43009	4	Washer, Flat 1-5/8" O.D.
16	25080	1	Bracket, Hitch Extension	51	47141	1	Wing Nut, Nylon
17	23014	1	Bracket, Hitch	52	HA180132	1	Bolt, Hex 3/8-16 x 2-1/4" Lg. *
18	24914	1	Shaft, Axle	54	R19111116	7	Washer, 5/16 SAE
19	43851	2	Pin, Spring 3/16" Dia. x 1-1/4"	55	47623	1	Hitch Pin
20	43871	1	Bushing, Axle Shaft	56	43343	1	Hair Cotter Pin, 1/8"
21	1540-32	5	Washer, Flat .78 I.D.	57	44566	1	Spring, Torsion
22	1540-162	1	Washer, Flat 1/2"	58	43661	5	Bolt, Hex 1/4-20 x 1" Lg.*
23	47615	2	Bearing, Flange	59	46055	1	Pin, Spring 1/8" Dia. x 1" Lg.
24	47683	2	Tube, Spacer	60	44950	1	Bolt, Carriage 1/4-20 x 3/4"
25	25305	1	Shaft, Sprocket	61	25433	1	Strap, Hopper
26	04367	1	Spreader Plate	62	48515	1	Drive Pin W/Bail, 1/4" x 2"
27	43850	1	Pin, Spring 1/8" Dia. x 5/8".	63	48514	1	Flow Control Mounting Tube
28	44468	1	Sprocket, 6 Tooth	64	25434	1	Tube Support Strap
29	44285	2	Bushing, Delrin	65	44481	1	Vinyl Cap
31	48934	1	Hairpin Agitator	66	49504	1	Vinyl Cover
32	43070	5	Washer, Flat 3/8" *	67	1509-69	2	Bolt, Hex 1/4-20 x 1-3/4" Lg.*
33	43054	2	Bolt, Hex 3/8-16 x 2" Lg.*		49416	1	Owner's Manual
34	48586	1	Rod, Flow Control				

* Purchase common hardware locally.

SpeedPart *the fastest way to purchase parts* www.speedepart.com

SpeedEPart *the fastest way to purchase parts* www.speedepart.com

REPAIR PARTS

Agri-Fab, Inc.
303 West Raymond
Sullivan, IL. 61951
217-728-8388
www.agri-fab.com