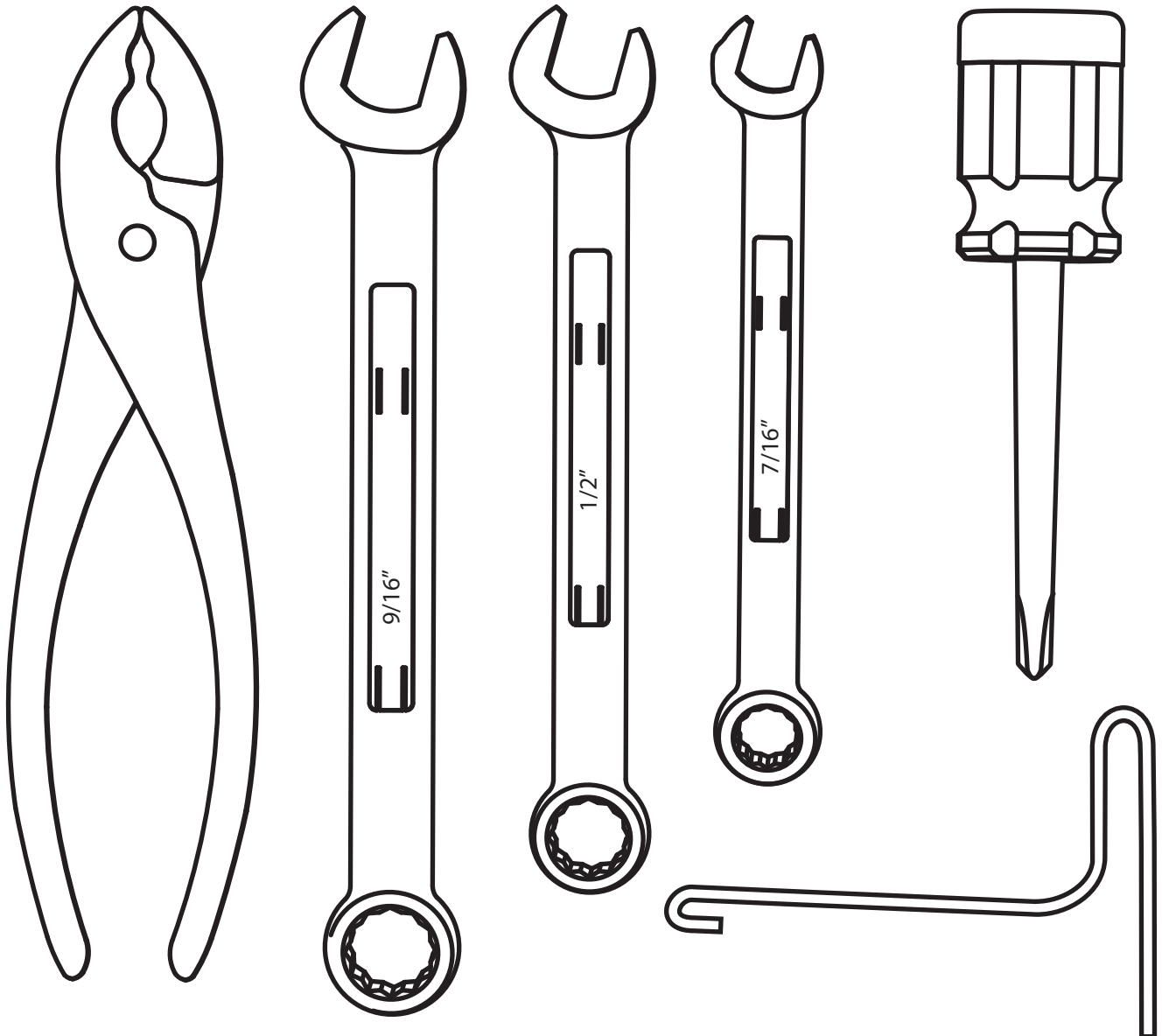
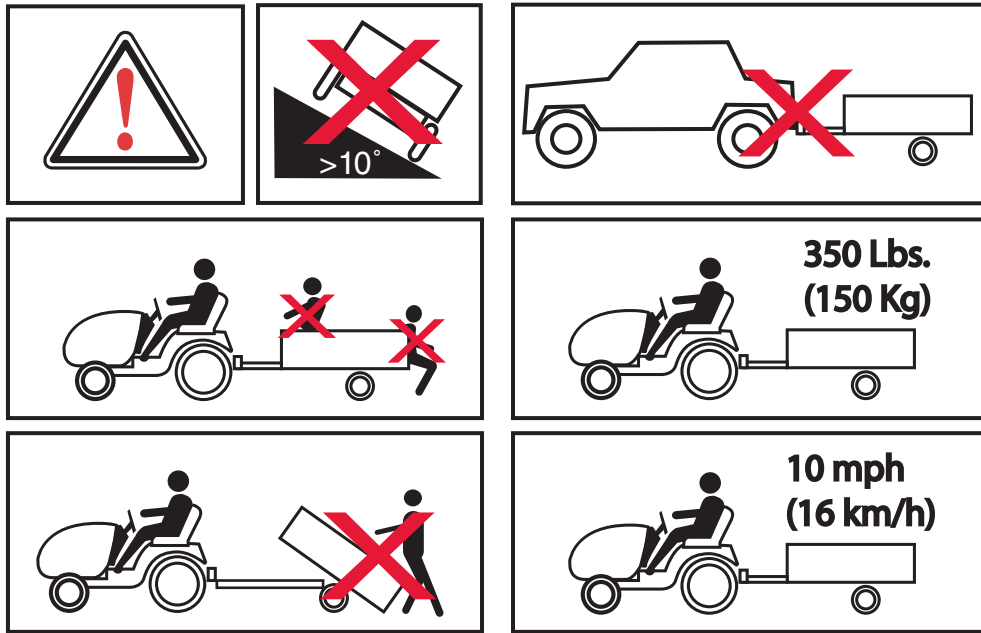
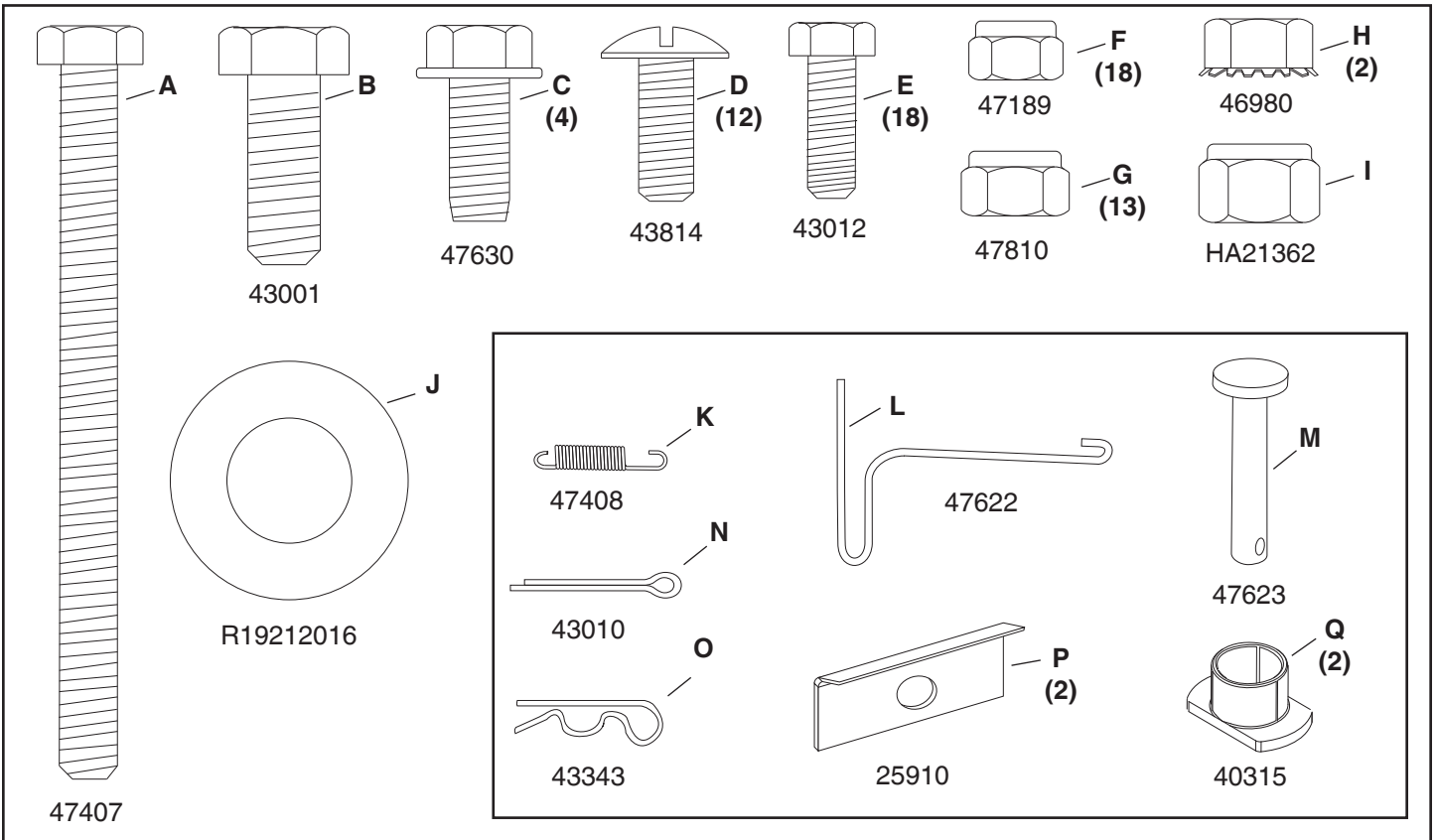
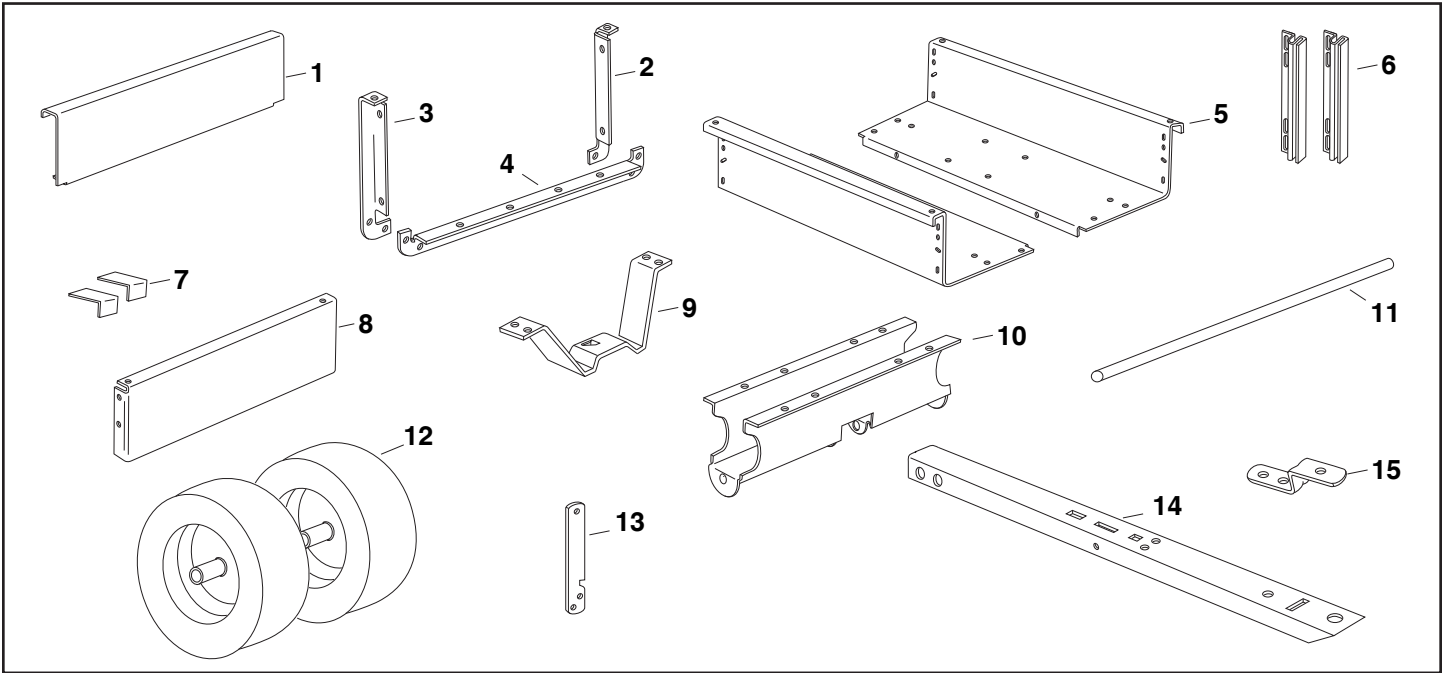
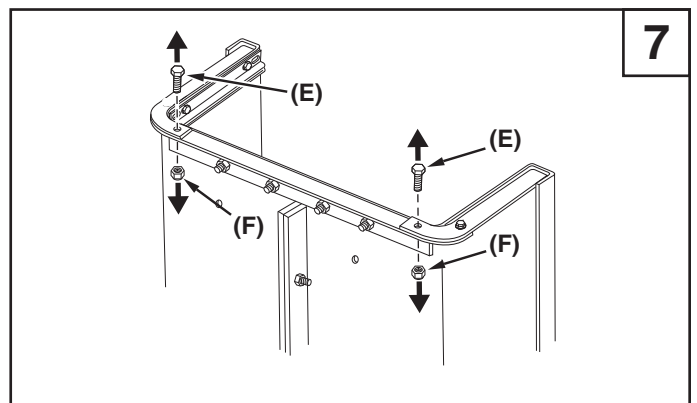
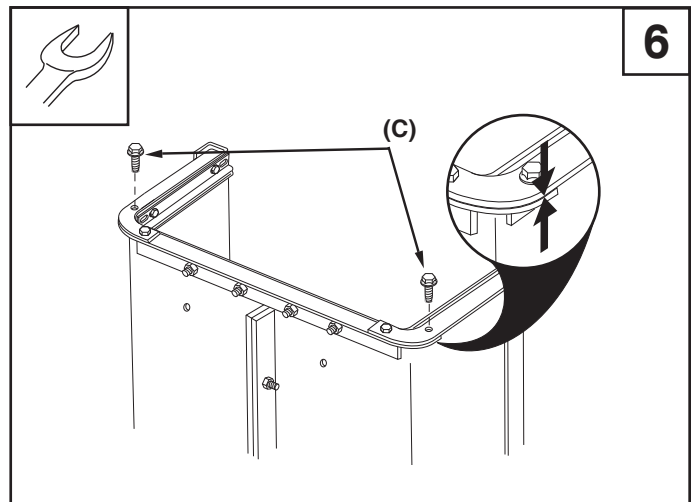
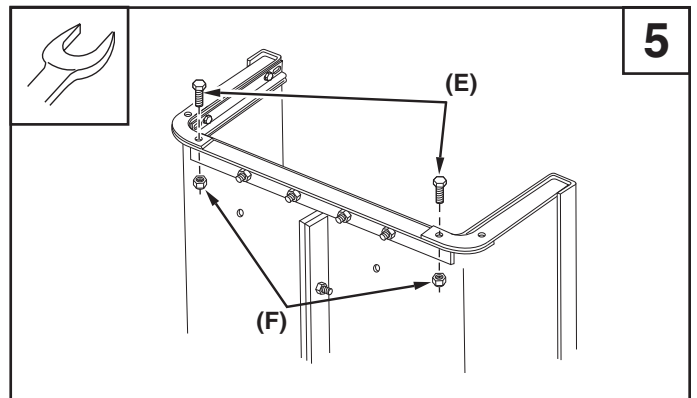
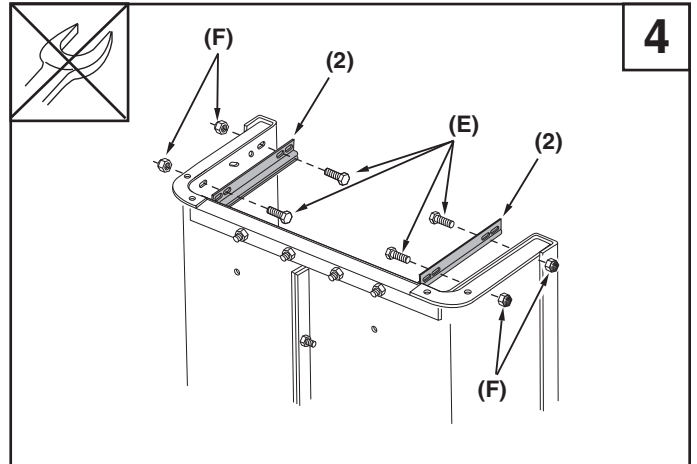
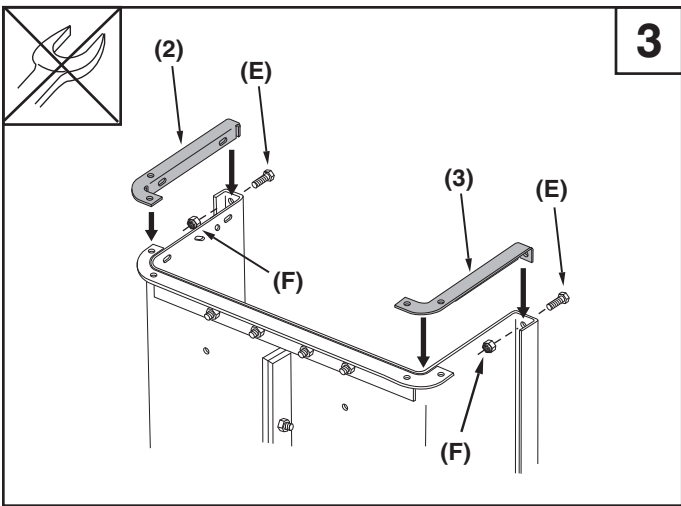
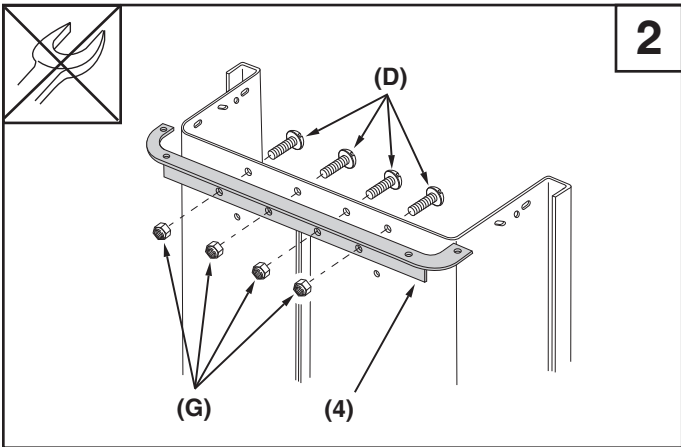
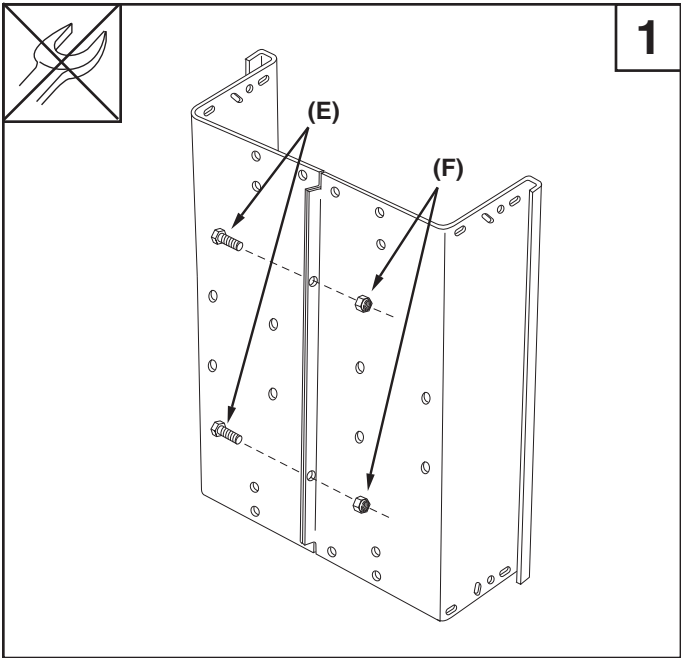
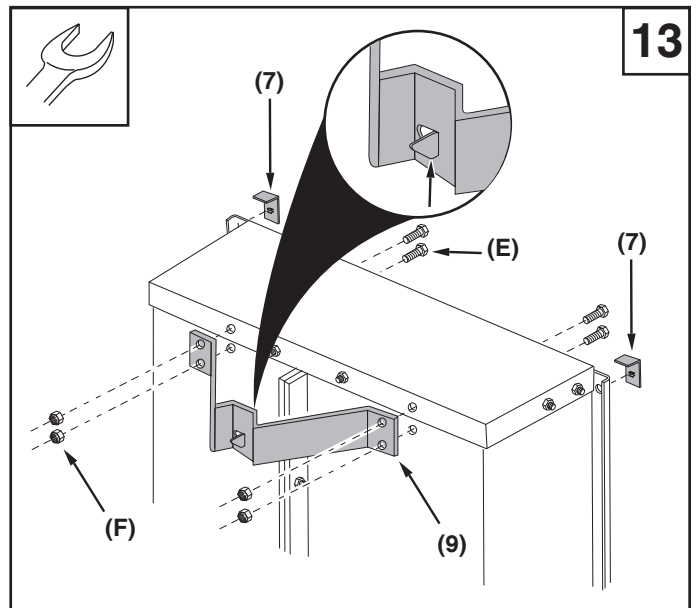
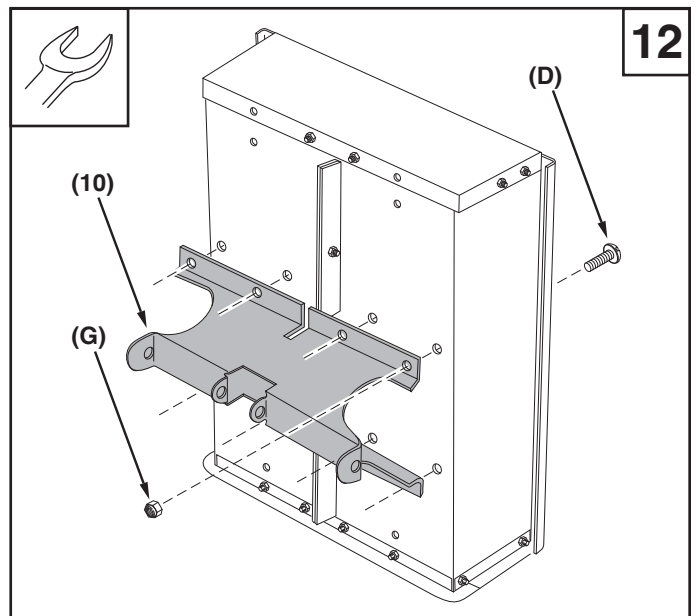
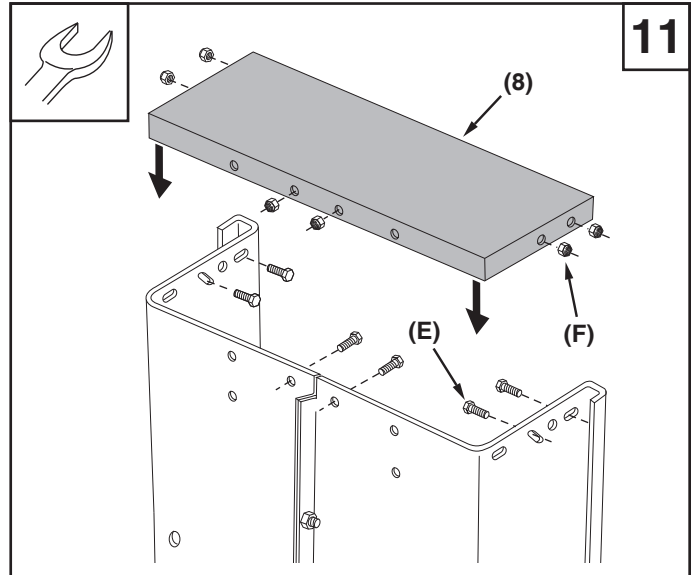
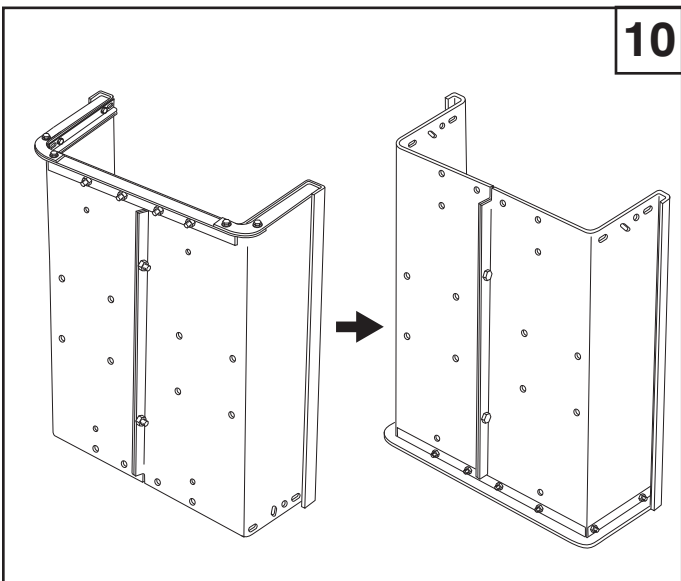
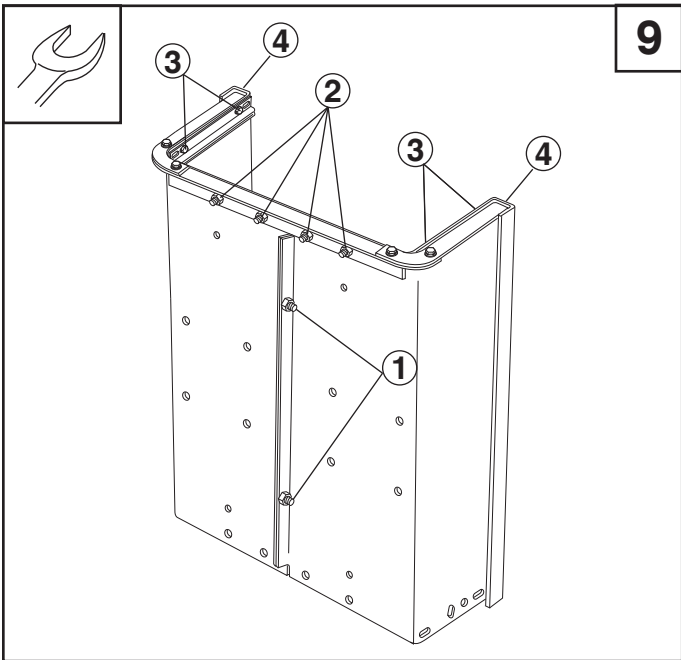
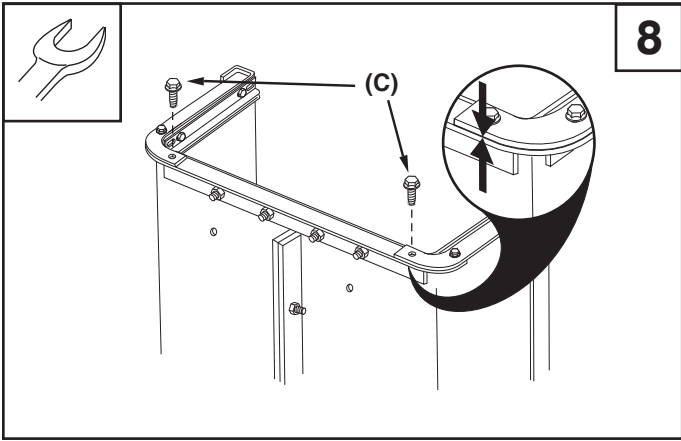


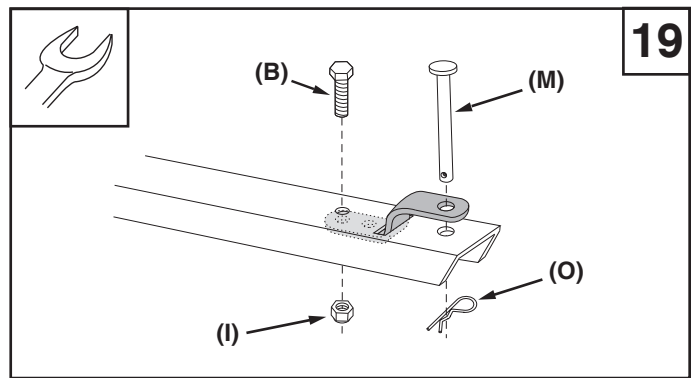
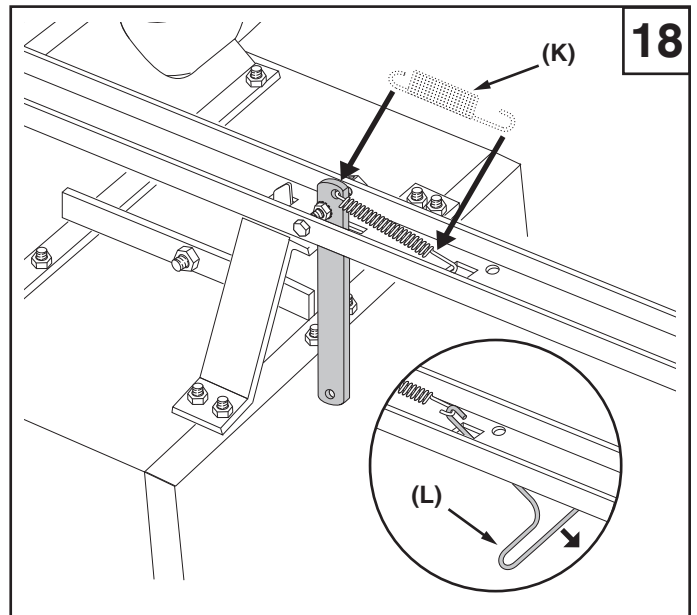
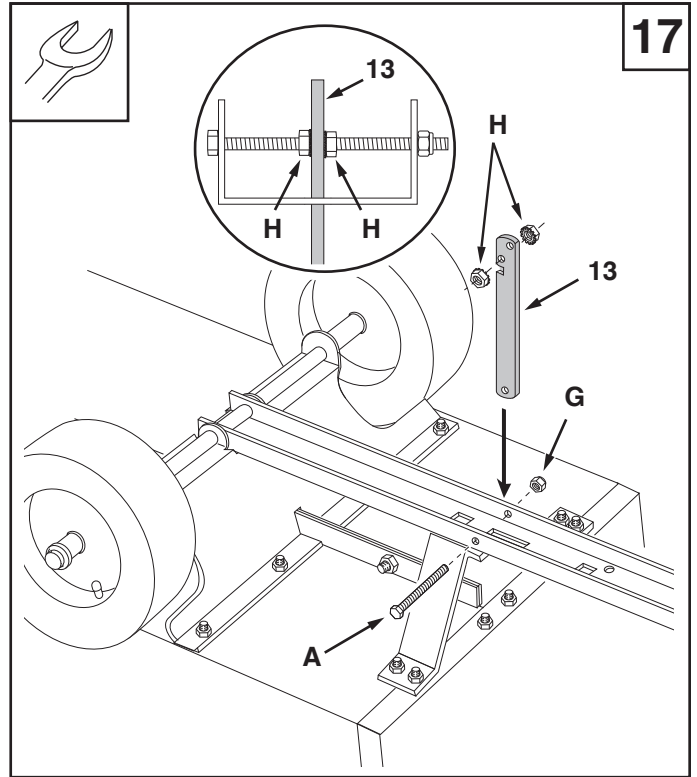
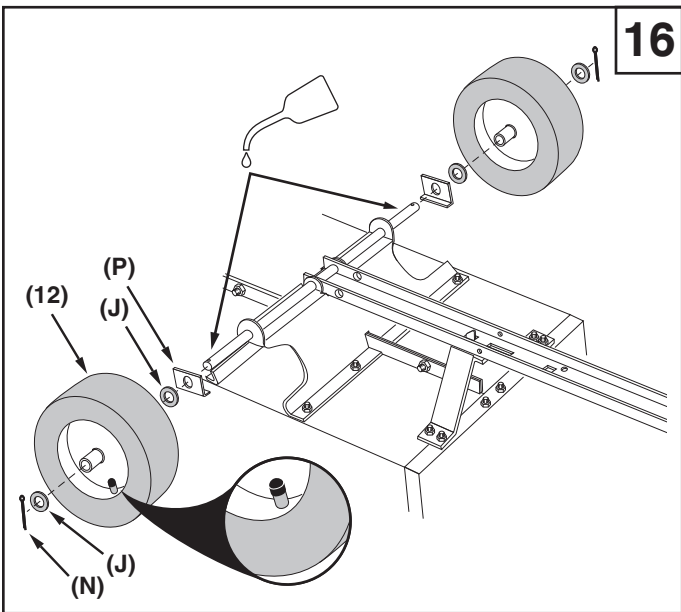
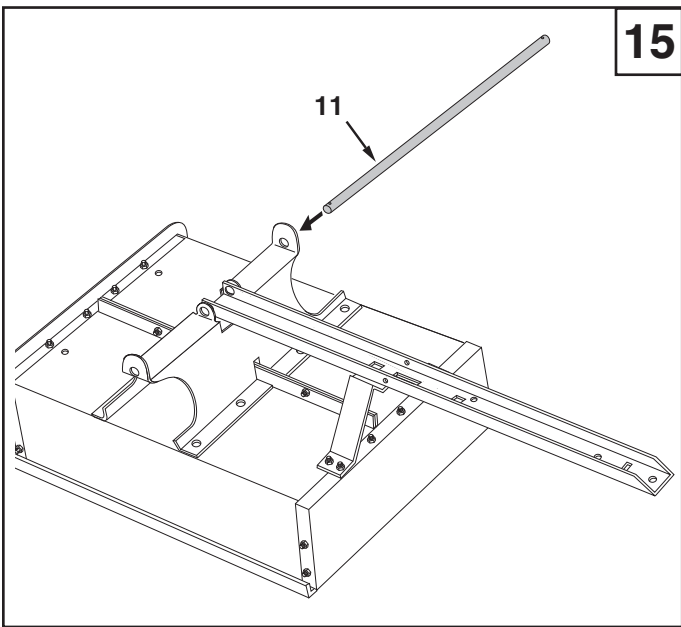
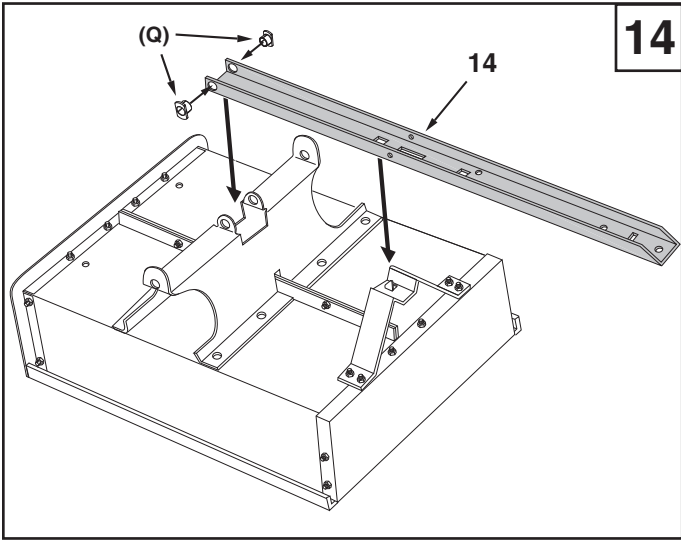
45-03033



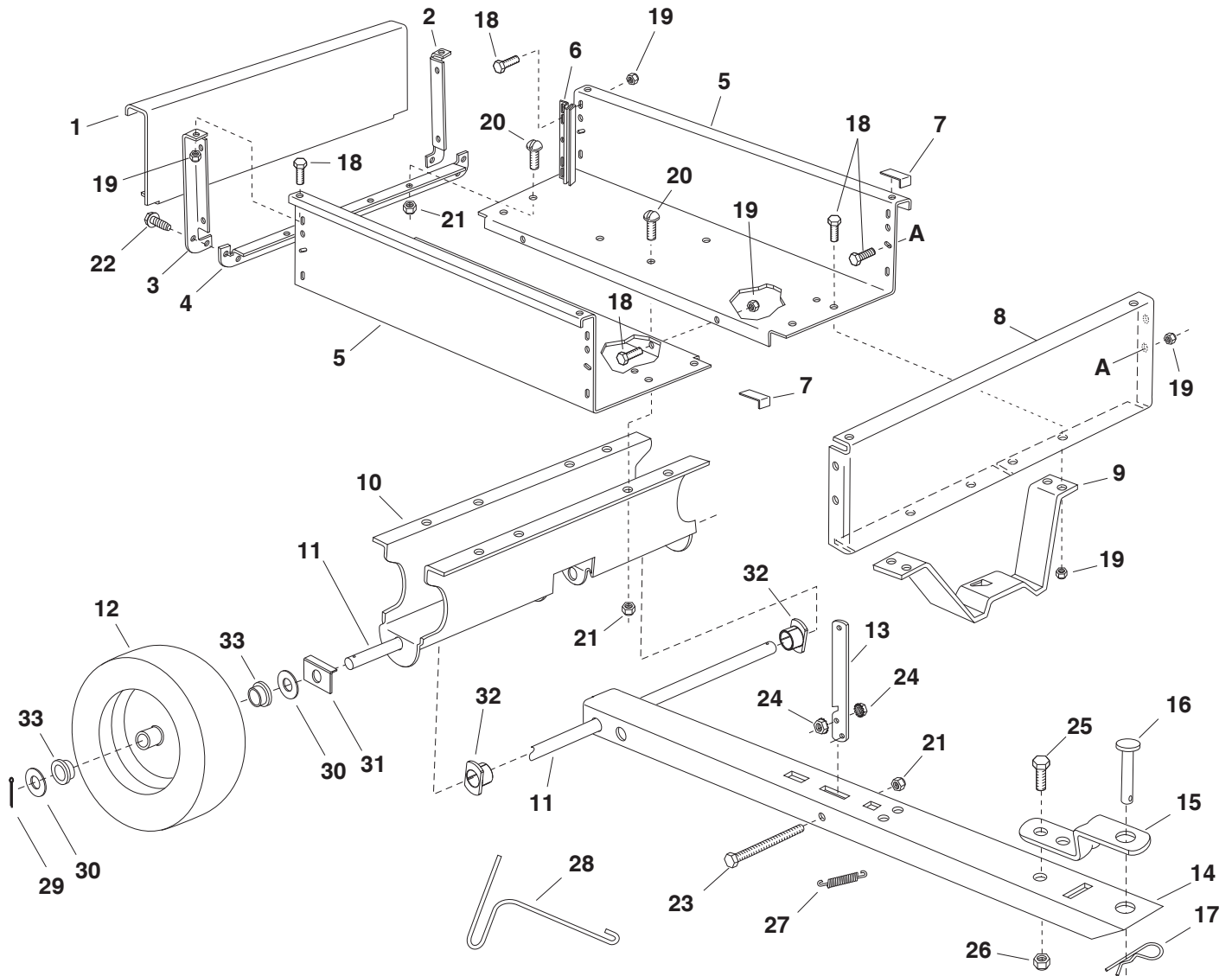








45-03033



REF.	PART NO.	QTY.	DESCRIPTION	REF.	PART NO.	QTY.	DESCRIPTION
1	24907	1	Tailgate	18	43012	18	Hex Bolt, 1/4-20 x 3/4"
2	24143	1	Left Rear Angle	19	47189	18	Nylock Nut, 1/4-20
3	24144	1	Right Rear Angle	20	43814	12	Slit Truss Hd. Bolt, 5/16-18 x 3/4"
4	24142	1	Lower Rear Angle	21	47810	13	Nylock Nut, 5/16-18
5	23912	2	Cart Body	22	47630	4	Bolt, Self Tapping 5/16-18 x 3/4"
6	23548	2	Guide, Tailgate	23	47407	1	Hex Bolt, 5/16-18 x 4"
7	48789	2	Cap, Front Corner	24	46980	2	Hex Nut, 5/16-18 (SEMS)
8	24906	1	Front Panel	25	43001	1	Hex Bolt, 3/8-16 x 1" Lg.
9	24497	1	Latch Stand Bracket	26	HA21362	1	Nylock Nut, 3/8-16*
10	25996	1	Wheel Support	27	47408	1	Extension Spring
11	24908	1	Axle	28	47622	1	Spring Puller Tool
12	40880	2	Wheel	29	43010	2	Cotter Pin, 1/8" x 1-1/4"
13	24498	1	Latch Lock Lever	30	R19212016	4	Washer, .656" x 1.25" x .059"
14	25995	1	Draw Bar Tongue	31	25910	2	Axle Clip
15	23014	1	Hitch Bracket	32	40315	2	Flange Bearing
16	47623	1	Hitch Pin	33	40880 BRG	4	Wheel Bearing (included in wheel)
17	43343	1	Hair Cotter Pin, 1/8" (#4)		42592	1	Owner's Manual

SpeedEPart *the fastest way to purchase parts* www.speedepart.com

REPAIR PARTS

Agri-Fab, Inc.
303 West Raymond
Sullivan, IL. 61951
217-728-8388
www.agri-fab.com

This document (or manual) is protected under the U.S. Copyright Laws and the copyright laws of foreign countries, pursuant to the Universal Copyright Convention and the Berne convention. No part of this document may be reproduced or transmitted in any form or by any means, electronic or mechanical, including photocopying or recording, or by any information storage or retrieval system, without the express written permission of Agri-Fab, Inc. Unauthorized uses and/or reproductions of this manual will subject such unauthorized user to civil and criminal penalties as provided by the United States Copyright Laws.