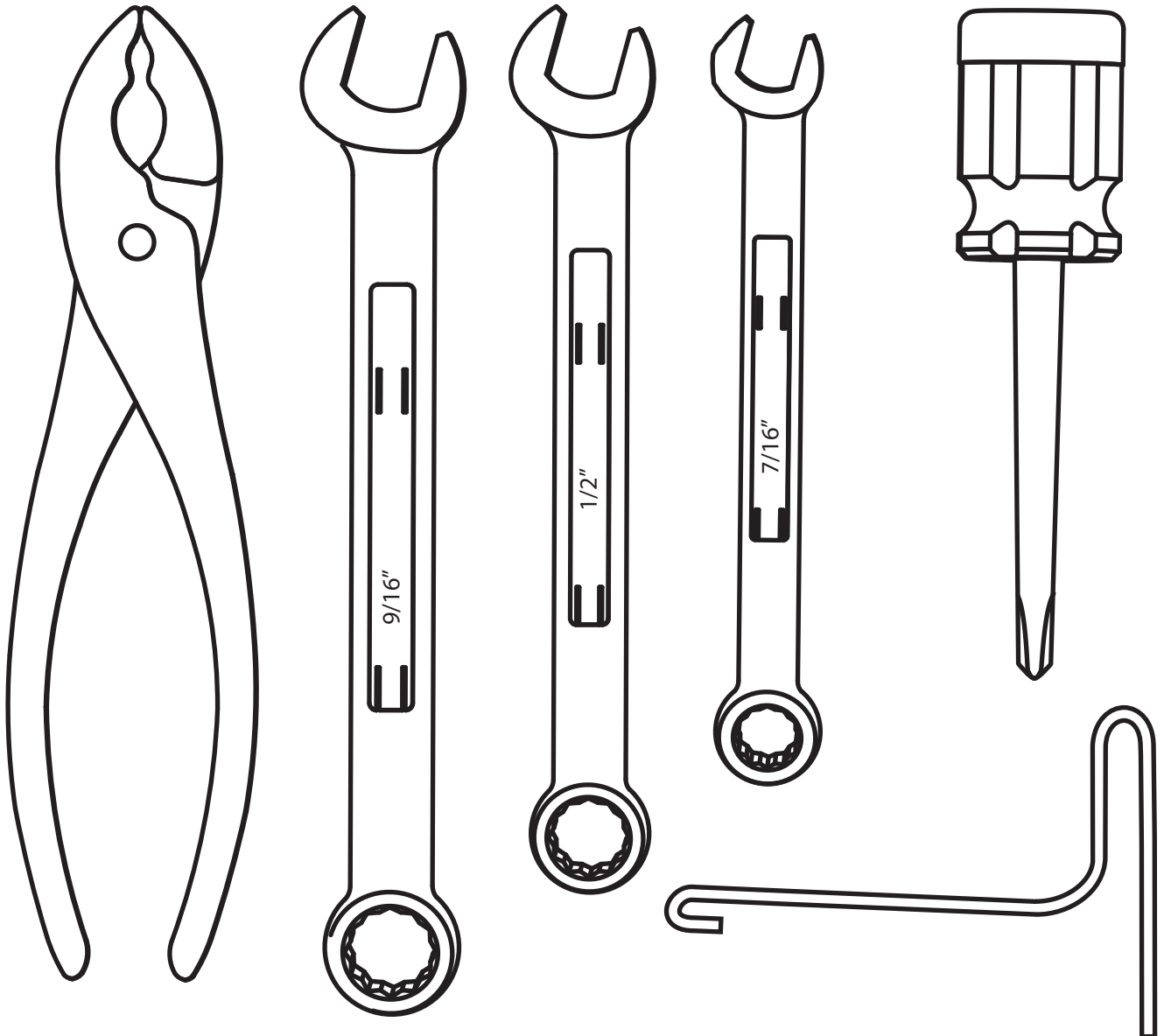
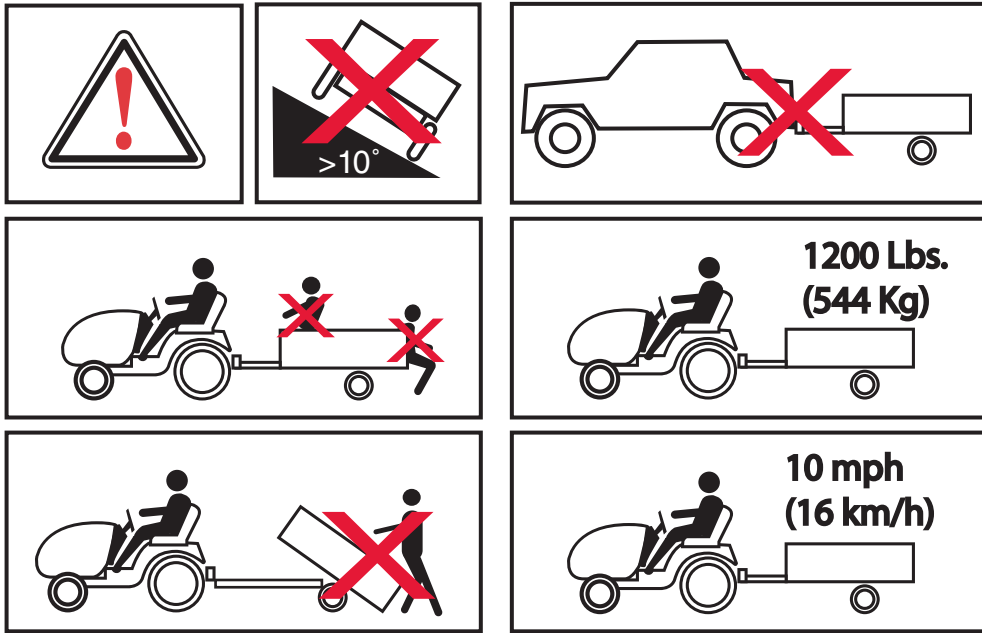
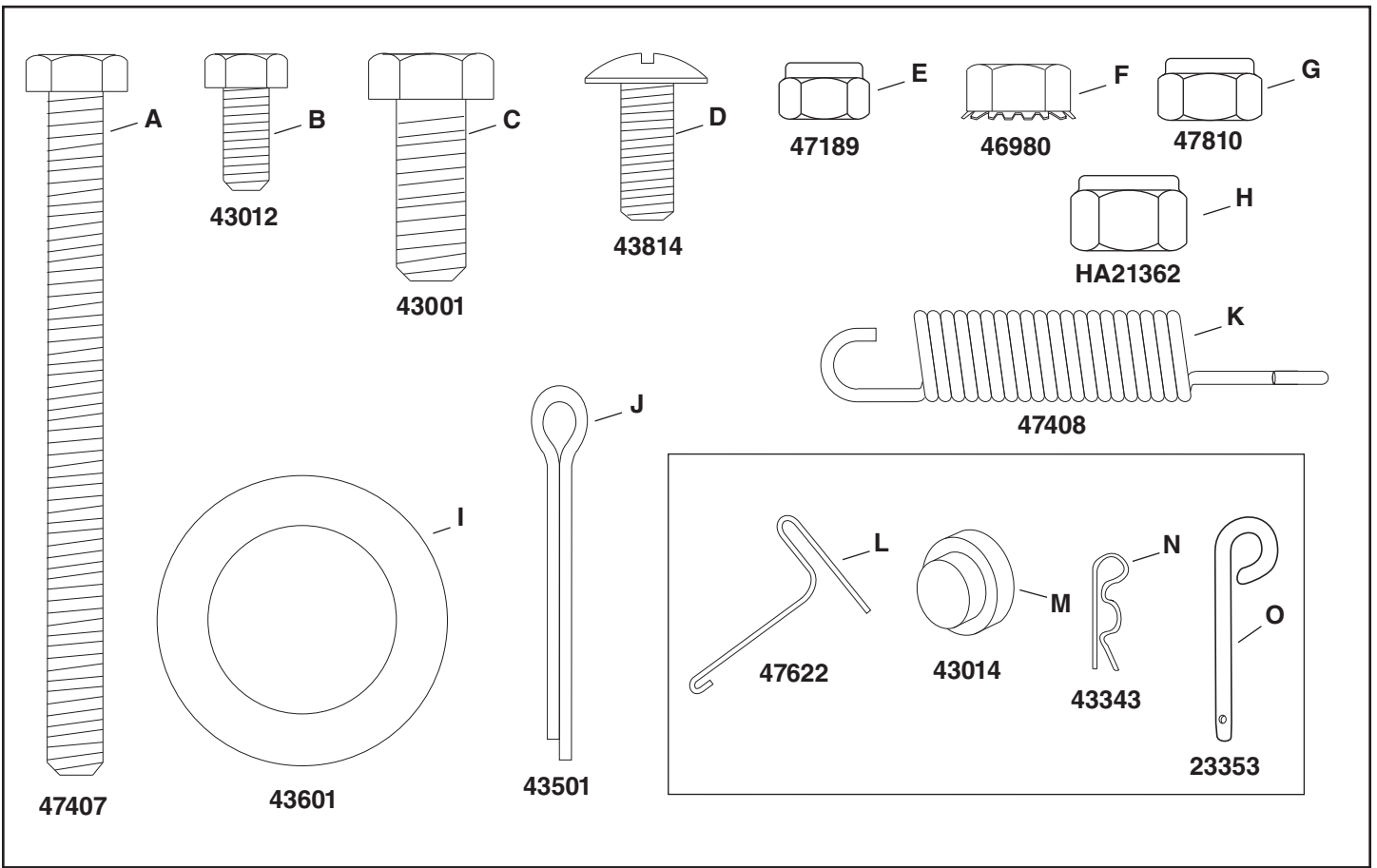
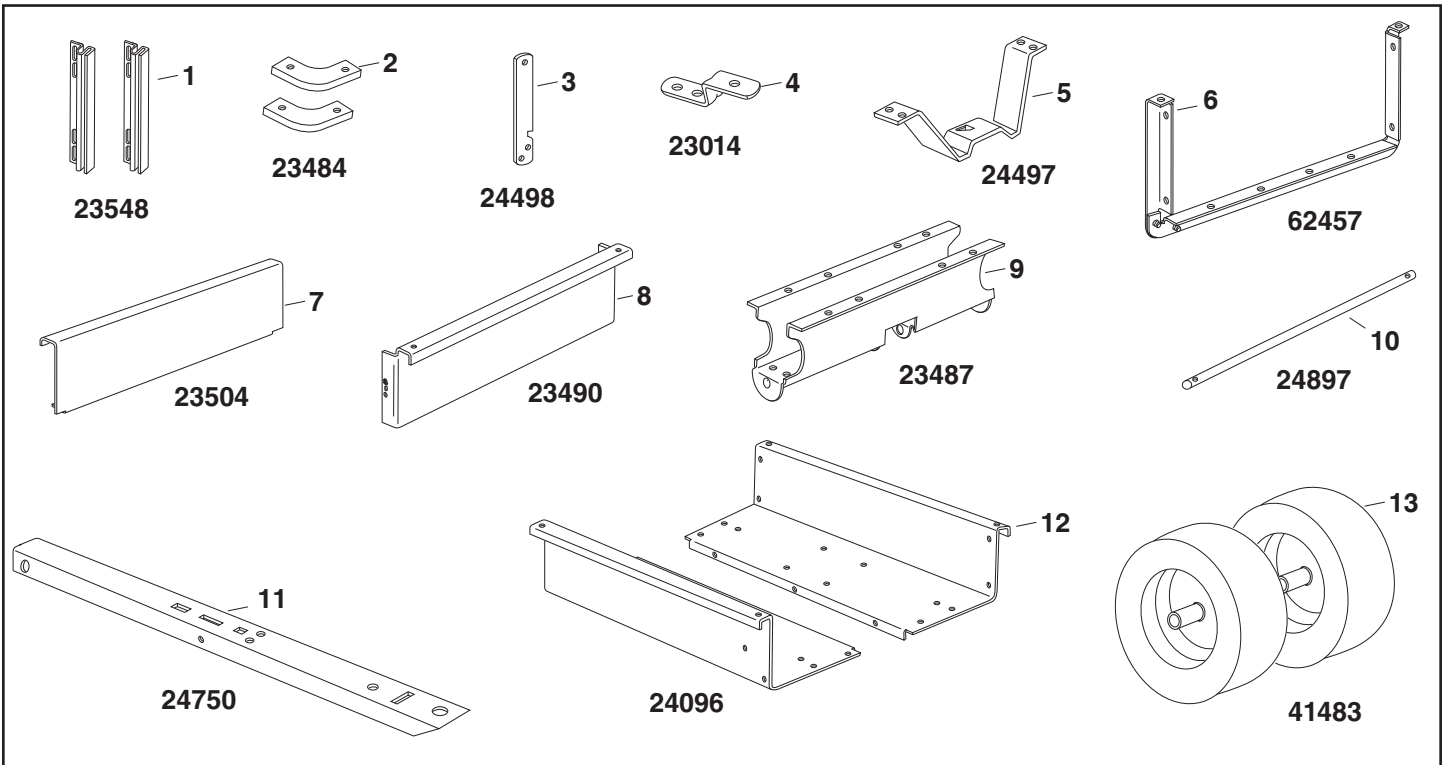
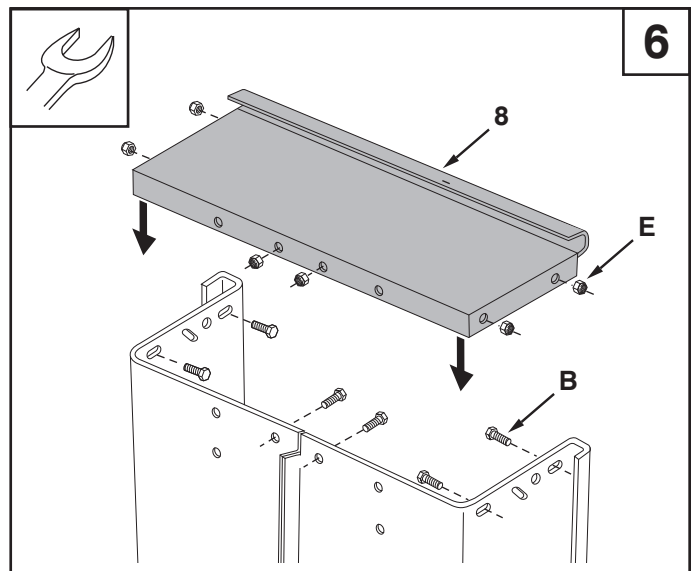
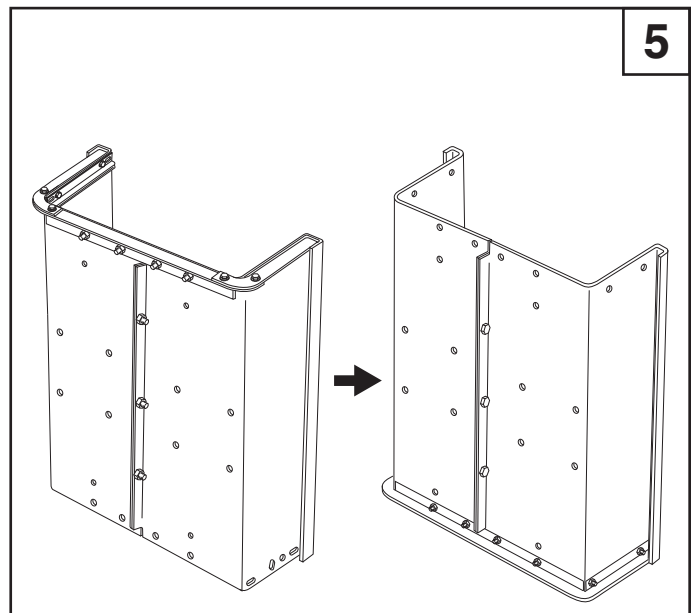
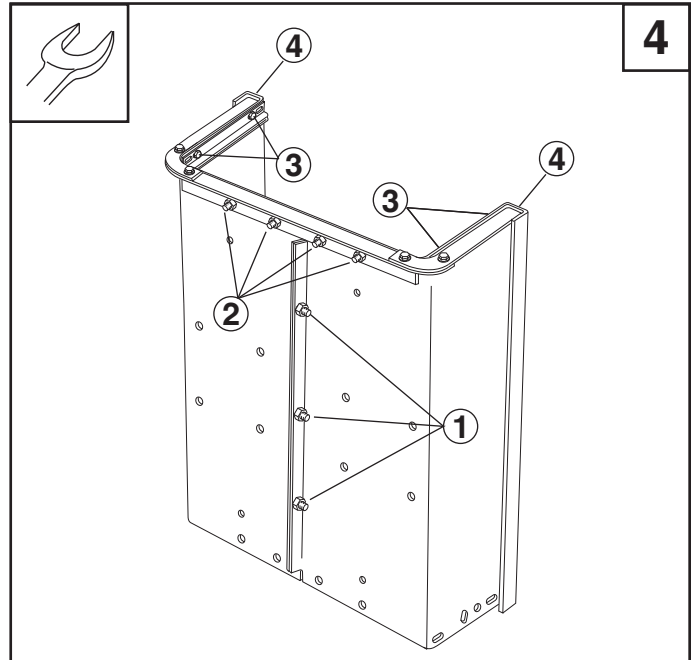
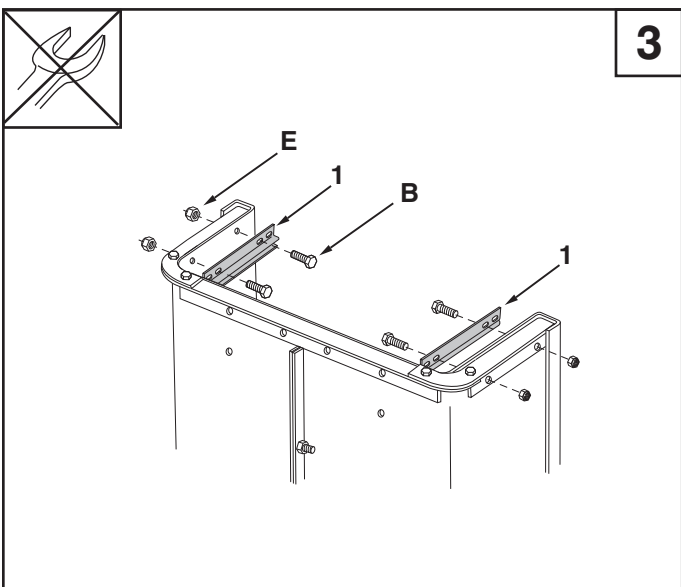
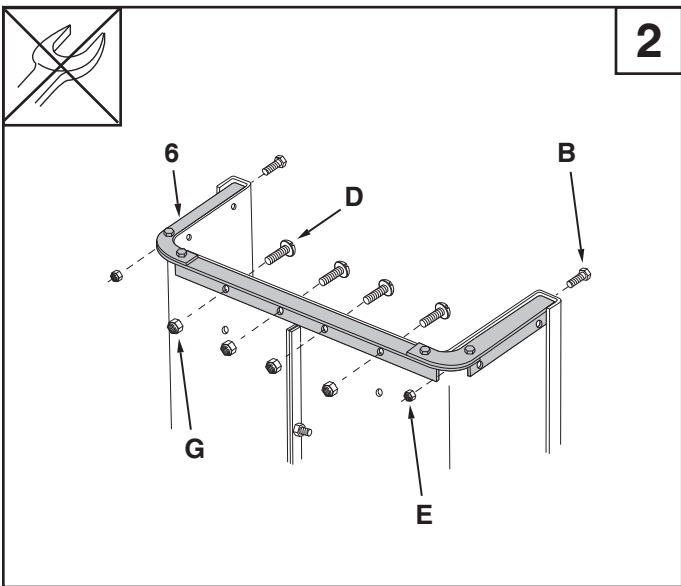
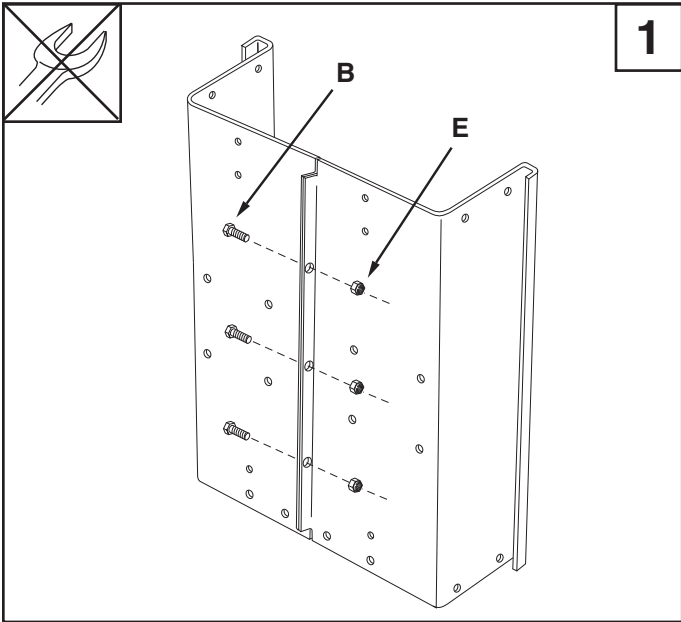
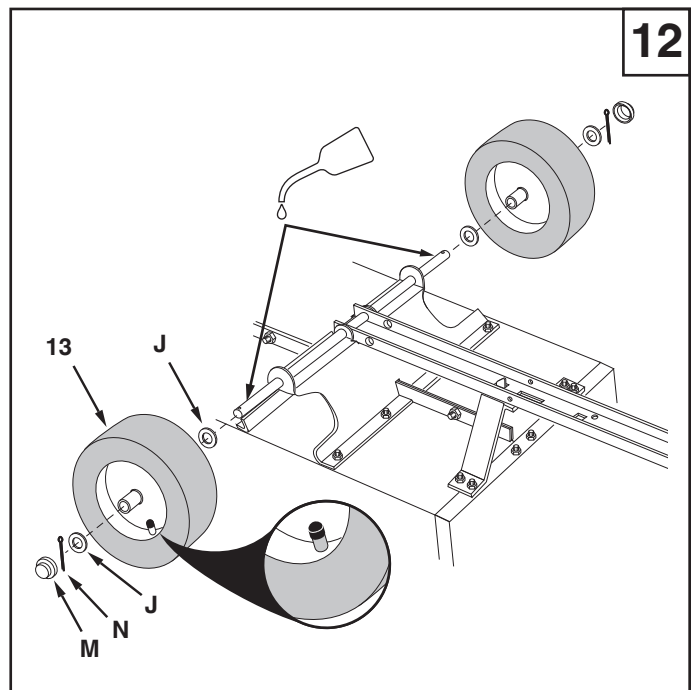
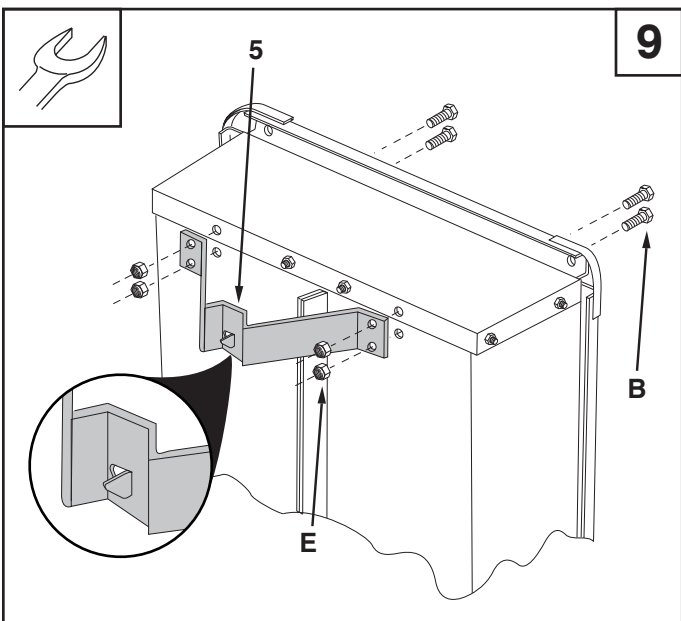
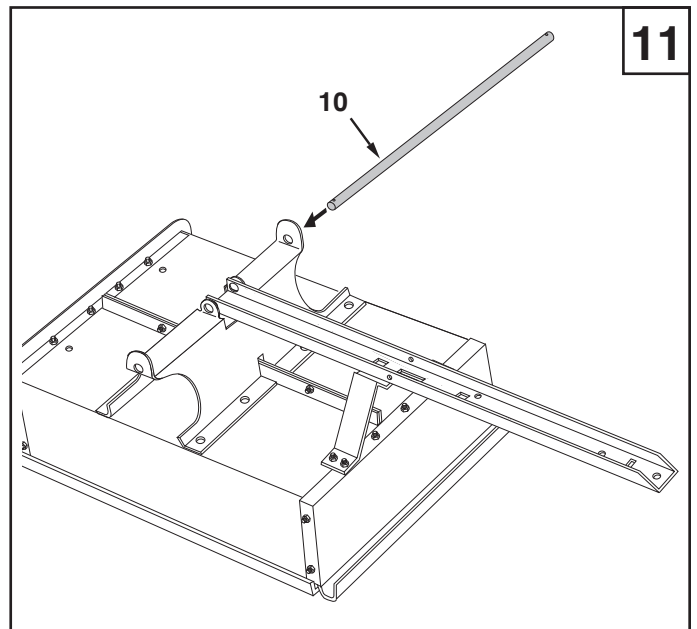
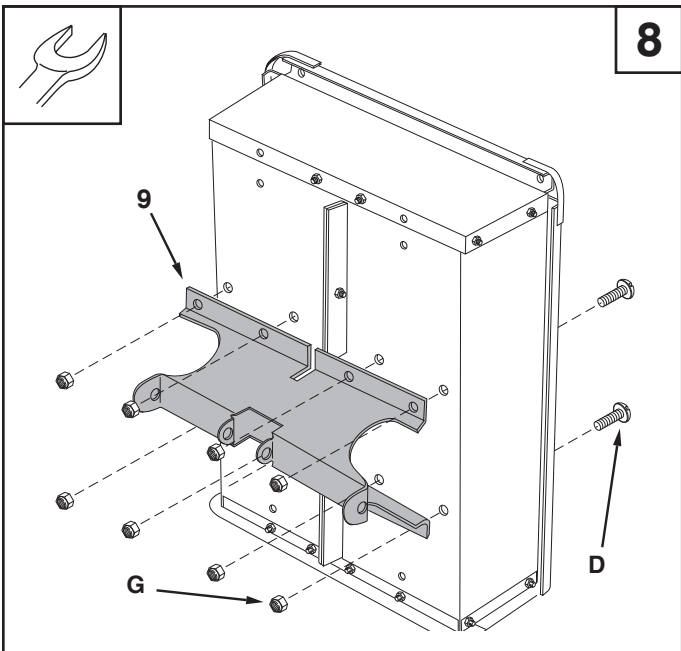
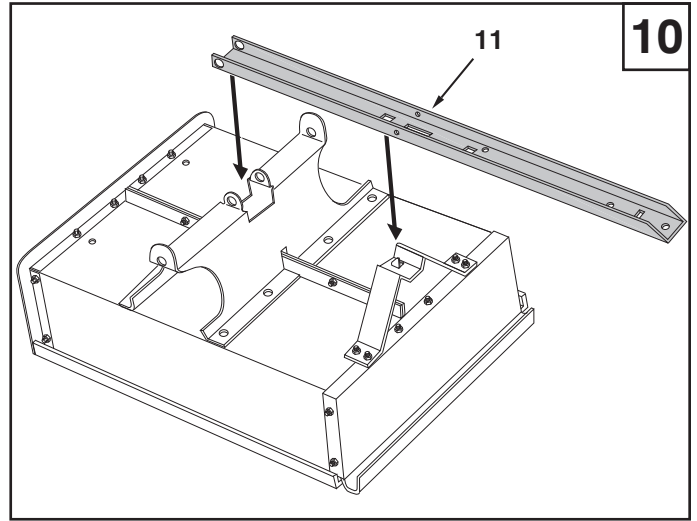
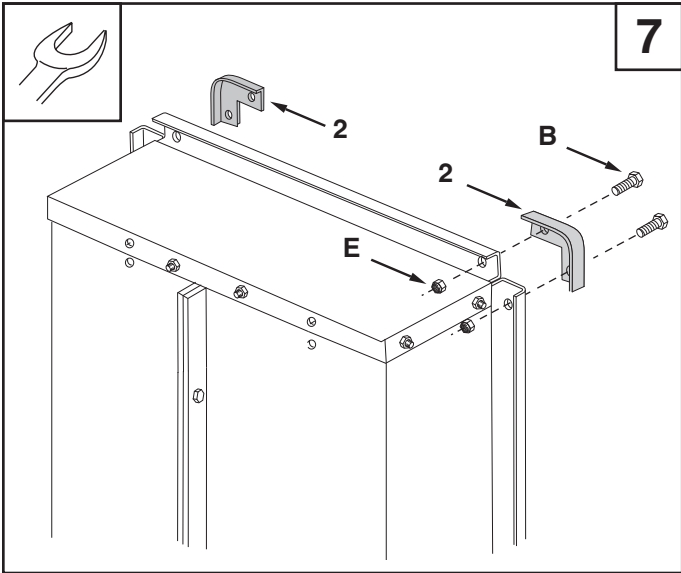


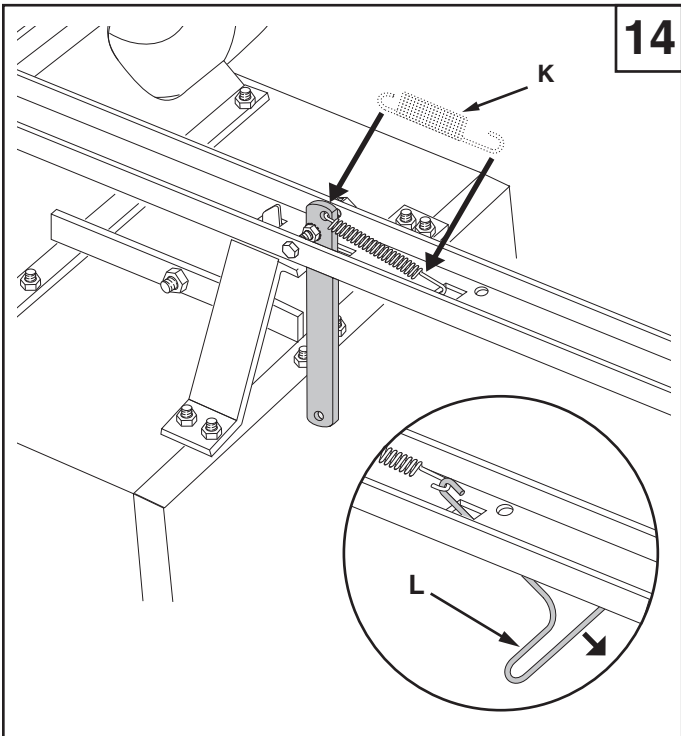
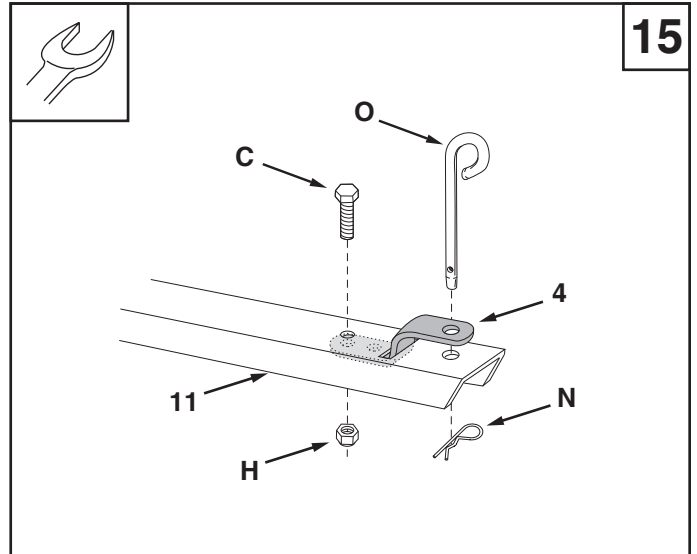
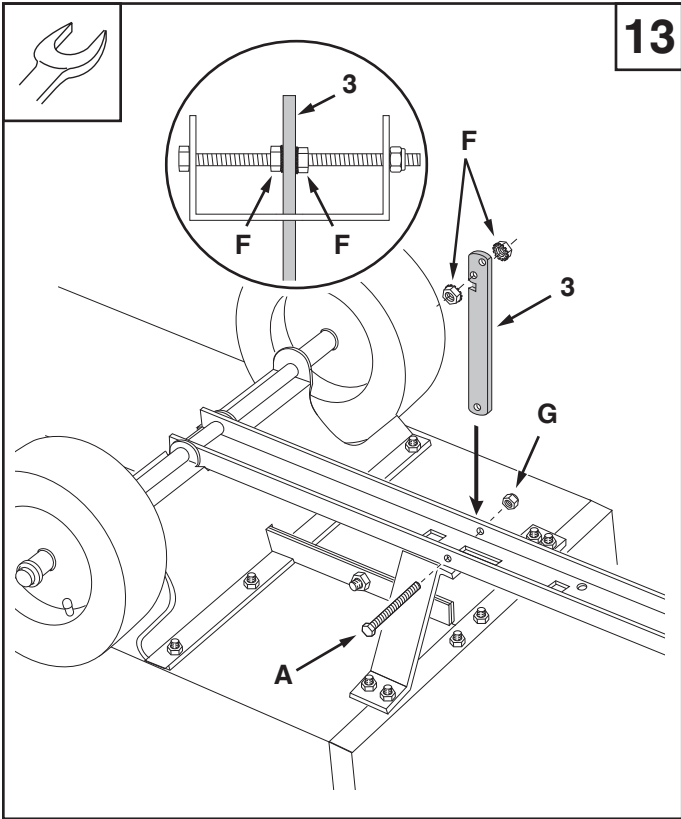
45-02402
190-425C-100



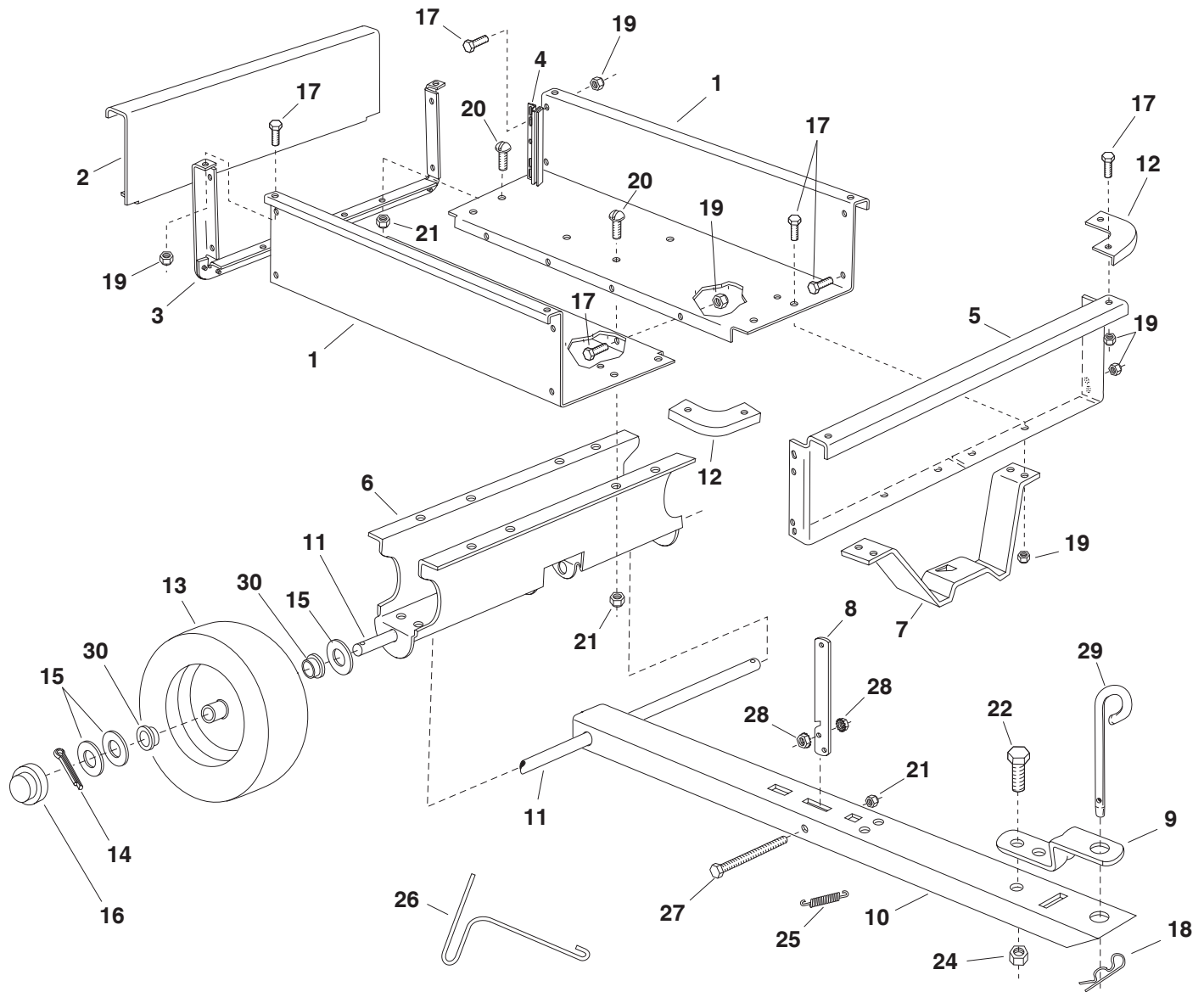








45-02402 & 190-425C-100



REF. NO.	PART NO.	QTY.	DESCRIPTION	REF. NO.	PART NO.	QTY.	DESCRIPTION
1	24096	1	Cart Body	16	43014	2	Hub Cap
2	23504	1	Tailgate	17	43012	23	Hex Bolt, 1/4-20 x 3/4"
3	62457	1	Tailgate Reinforcement Bracket	18	43343	1	Hair Cotter Pin, 1/8 (#4)
4	23548	2	Tailgate Guide	19	47189	23	Nylock Nut, 1/4-20
5	23490	1	Front Panel	20	43814	12	Truss Hd. Bolt, 5/16-18 x 3/4"
6	23487	1	Wheel Support	21	47810	13	Nylock Nut, 5/16-18
7	24497	1	Latch Stand Bracket	22	43001	1	Hex Bolt, 3/8-16 x 1"
8	24498	1	Latch Lock Lever	24	HA21362	1	Nylock Nut, 3/8-16 *
9	23014	1	Hitch Bracket	25	47408	1	Extension Spring
10	24750	1	Draw Bar Tongue	26	47622	1	Spring Puller Tool
11	24897	1	Axle, 1" Dia.	27	47407	1	Hex Bolt, 5/16-18 x 4"
12	23484	2	Front Corner Cap	28	46980	2	Hex Nut, 5/16-18 (SEMS)
13	41483	2	Wheel	29	23353	1	Hitch Pin
14	43501	2	Cotter Pin, 9/64" Dia. x 1-1/2"	30	41485	4	Wheel Bearing
15	43601	6	Washer, Flat 1"		42593	1	Owner's Manual

SpeedEPart *the fastest way to purchase parts* www.speedepart.com

REPAIR PARTS

Agri-Fab, Inc.
303 West Raymond
Sullivan, IL. 61951
217-728-8388
www.agri-fab.com

This document (or manual) is protected under the U.S. Copyright Laws and the copyright laws of foreign countries, pursuant to the Universal Copyright Convention and the Berne convention. No part of this document may be reproduced or transmitted in any form or by any means, electronic or mechanical, including photocopying or recording, or by any information storage or retrieval system, without the express written permission of Agri-Fab, Inc. Unauthorized uses and/or reproductions of this manual will subject such unauthorized user to civil and criminal penalties as provided by the United States Copyright Laws.